



US00D582109S

(12) **United States Design Patent**  
**Kim et al.**

(10) **Patent No.:** **US D582,109 S**  
(45) **Date of Patent:** **\*\* Dec. 2, 2008**

(54) **VACUUM CLEANER**

(75) Inventors: **Hyo Sung Kim**, Seoul (KR); **Sang Min Yu**, Seoul (KR)

(73) Assignee: **LG Electronics Inc.**, Seoul (KR)

(\*\*) Term: **14 Years**

(21) Appl. No.: **29/294,168**

(22) Filed: **Dec. 27, 2007**

(30) **Foreign Application Priority Data**

Jun. 27, 2007 (KR) ..... 30-2007-0027883

(51) **LOC (8) Cl.** ..... **15-05**

(52) **U.S. Cl.** ..... **D32/21**

(58) **Field of Classification Search** ..... D32/21-24,  
D32/31, 34, 16; 15/320-321, 323, 327.1-327.7,  
15/329, 335, 340.2, 351, 353, 361, 410-412;  
55/DIG. 3, 345, 337, 459.1

See application file for complete search history.

(56) **References Cited**

**U.S. PATENT DOCUMENTS**

D448,128 S \* 9/2001 Oh ..... D32/21  
D490,580 S \* 5/2004 Choi ..... D32/21  
D523,194 S \* 6/2006 Choi ..... D32/21

D552,810 S \* 10/2007 Shin ..... D32/21  
D553,811 S \* 10/2007 Shin ..... D32/21  
D554,308 S \* 10/2007 Shin ..... D32/21  
D556,398 S \* 11/2007 Shin ..... D32/21  
D565,813 S \* 4/2008 Shin ..... D32/21

\* cited by examiner

*Primary Examiner*—Ruth McInroy

(74) *Attorney, Agent, or Firm*—Morgan Lewis & Bockius LLP

(57) **CLAIM**

The ornamental design for a vacuum cleaner, as shown and described.

**DESCRIPTION**

FIG. 1 is a front, right perspective of the vacuum cleaner showing my new design;

FIG. 2 is a front view thereof;

FIG. 3 is a rear view thereof;

FIG. 4 is a left side view thereof;

FIG. 5 is a right side view thereof;

FIG. 6 is a top plan view thereof; and,

FIG. 7 is a bottom plan view thereof.

**1 Claim, 7 Drawing Sheets**

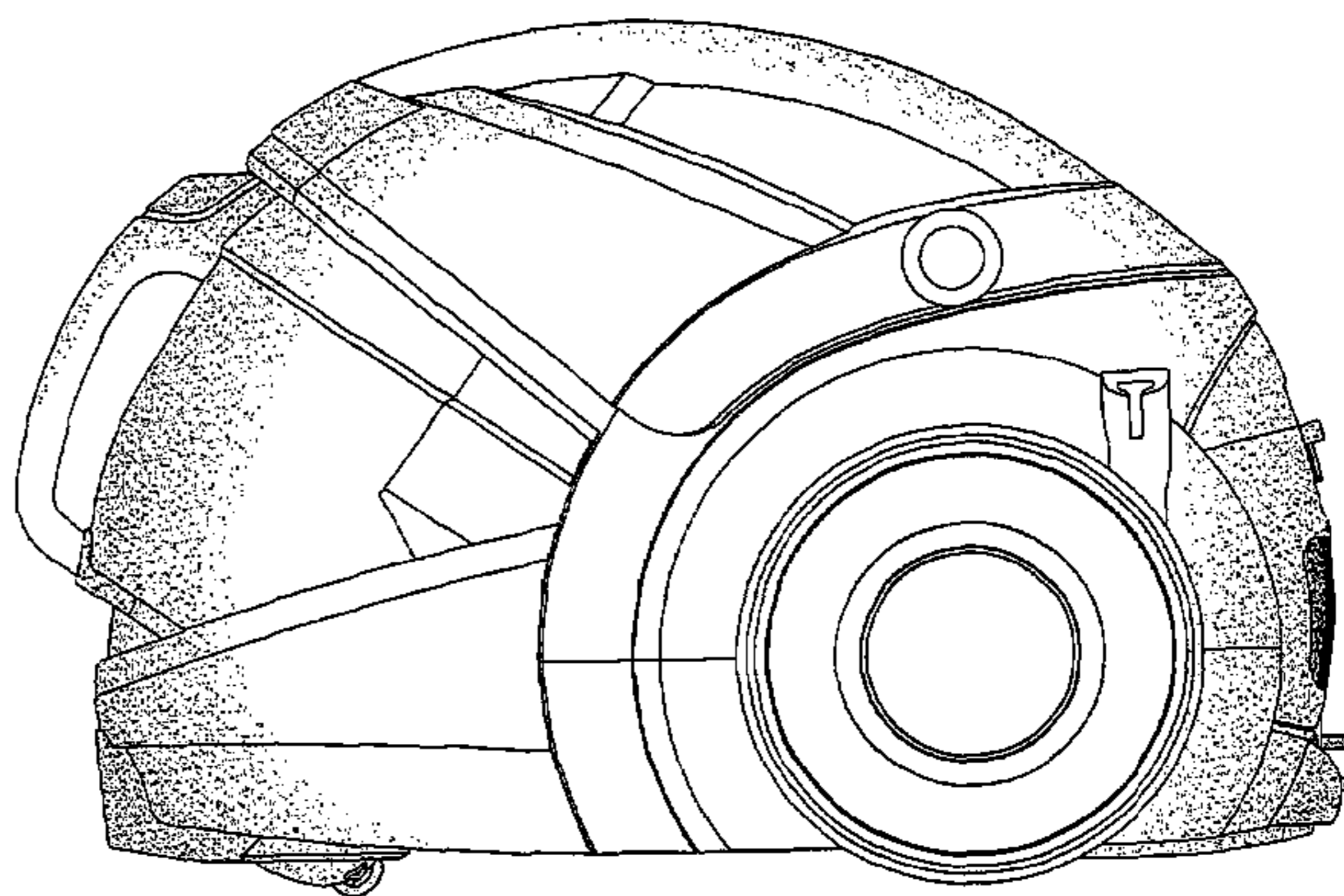
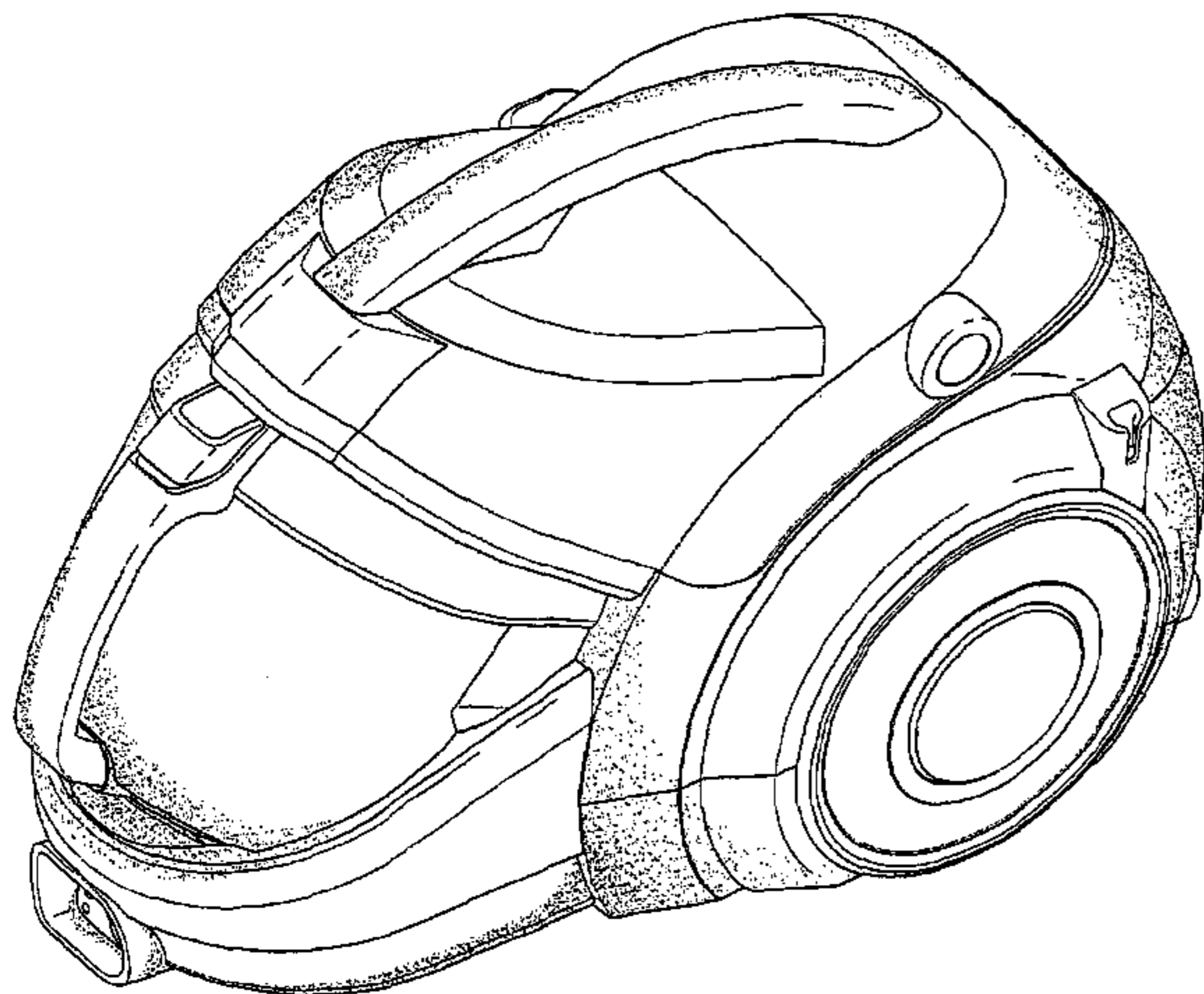


FIG. 1

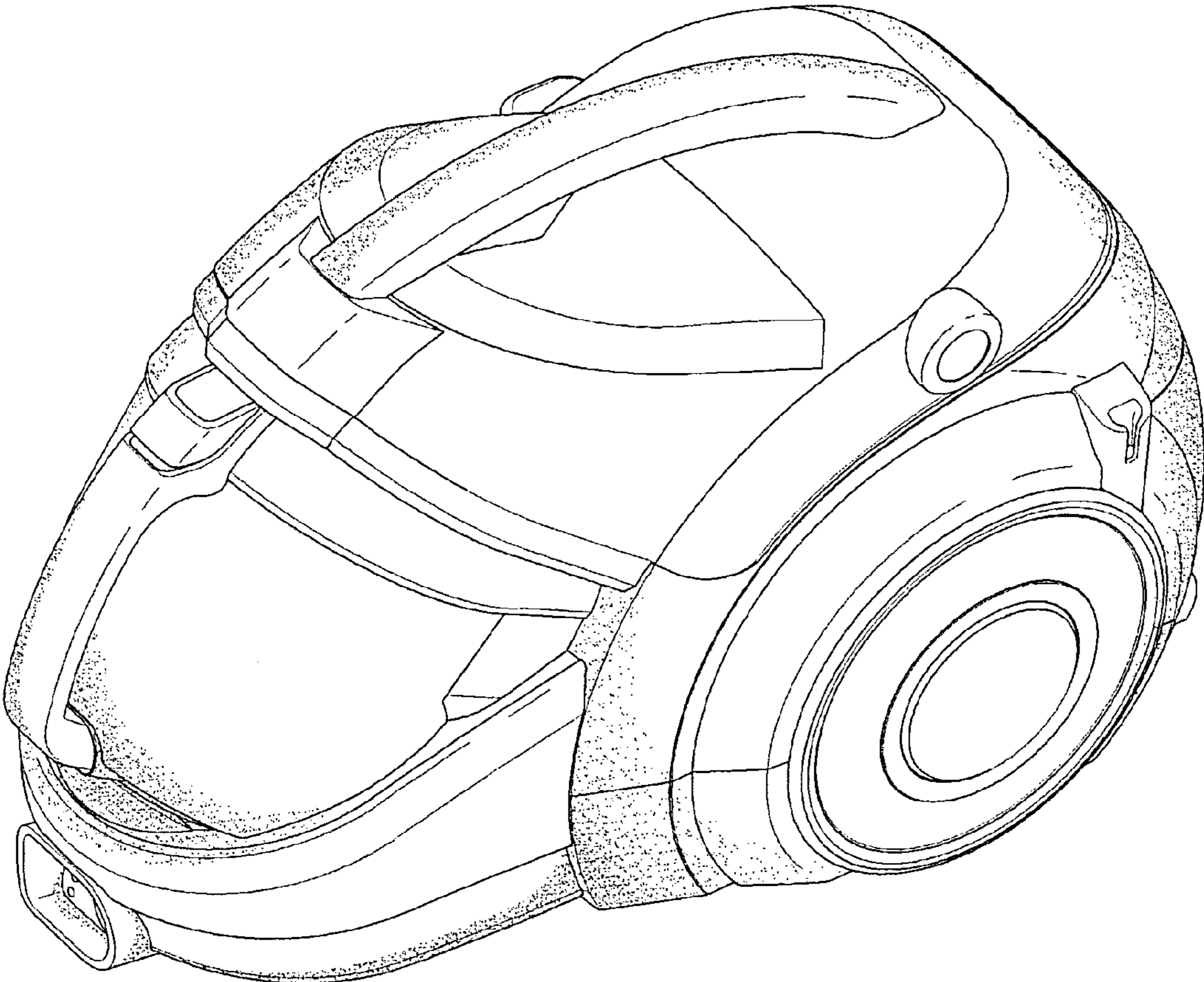


FIG. 2

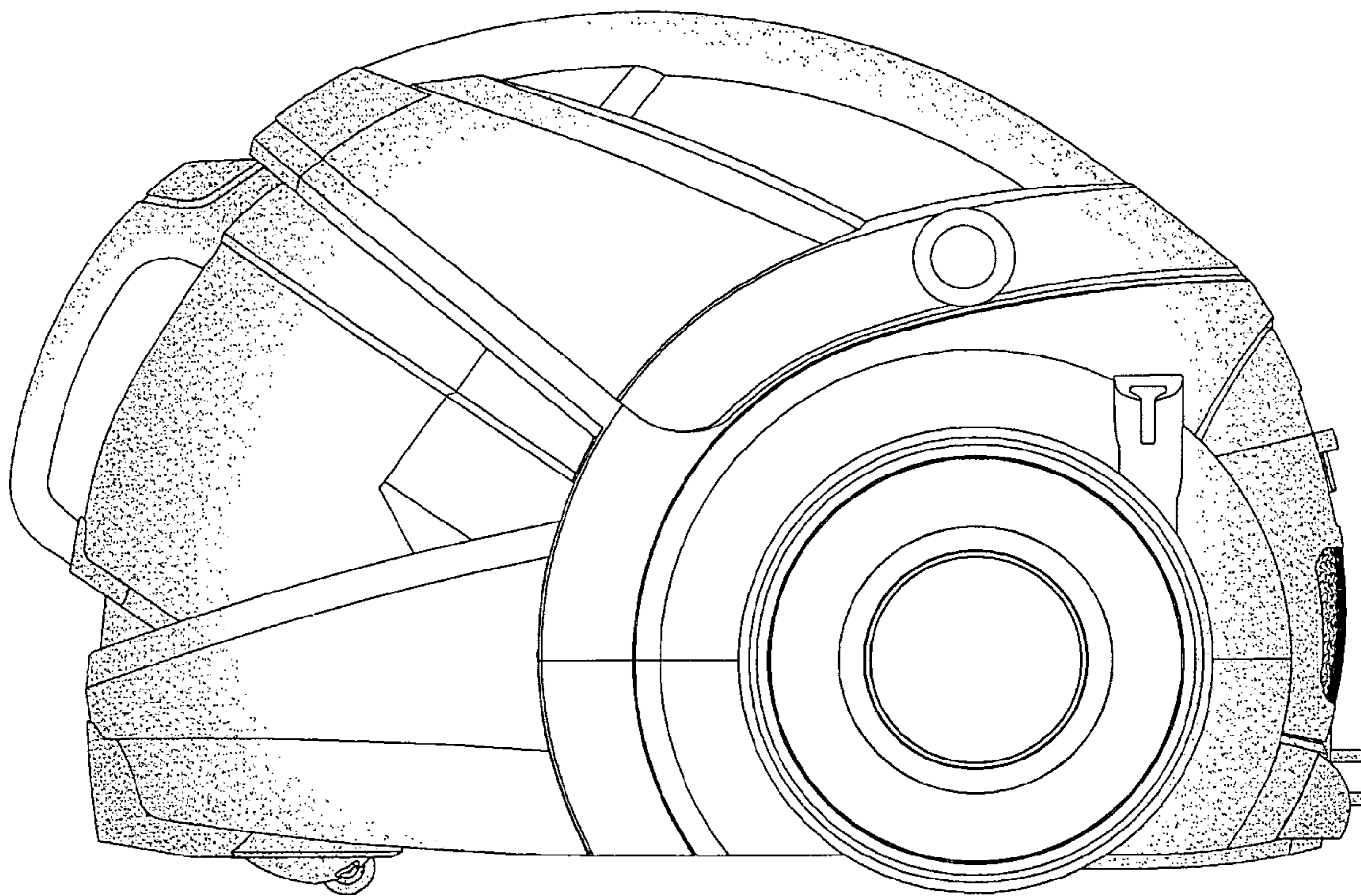


FIG. 3

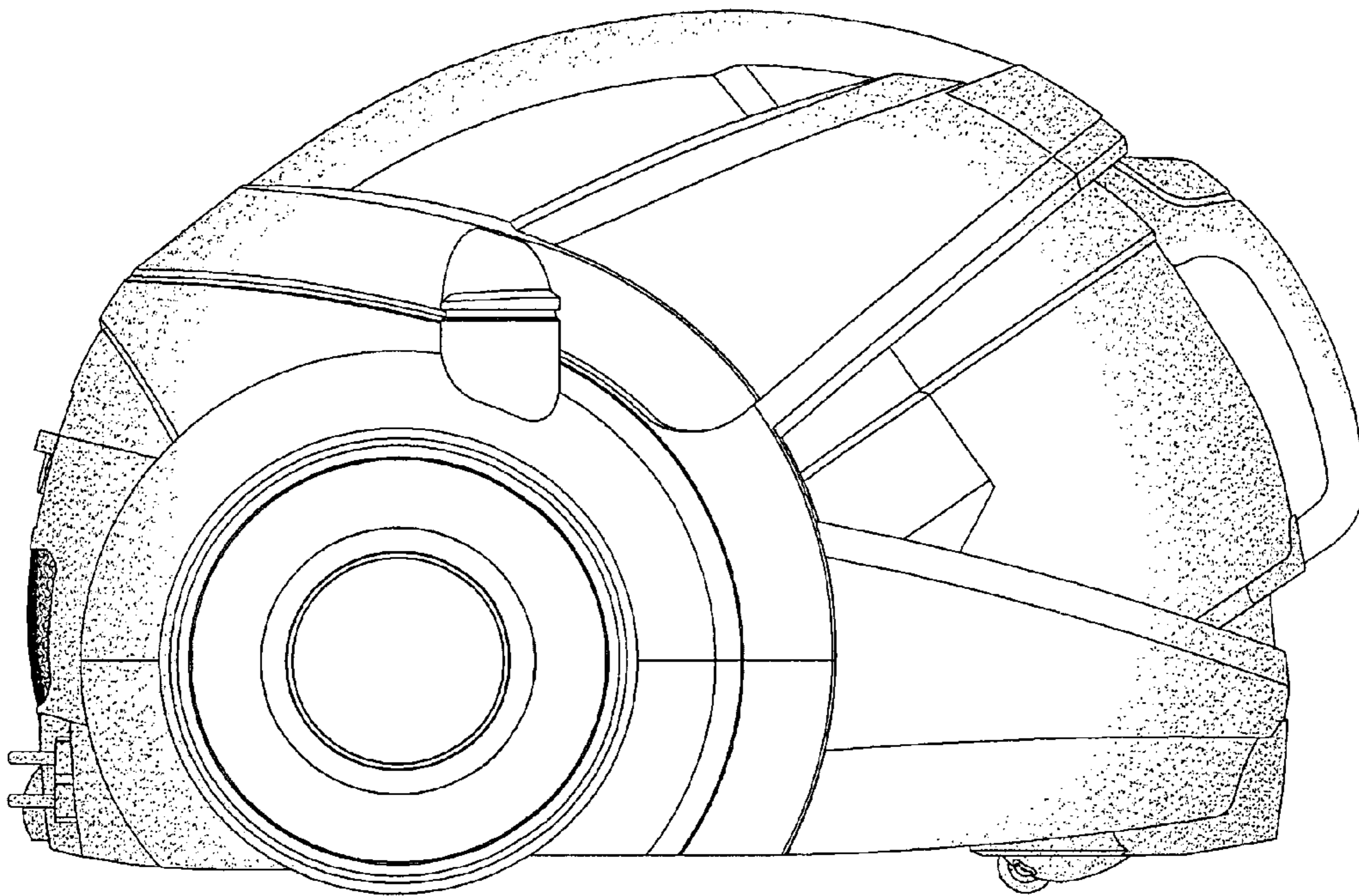


FIG. 4

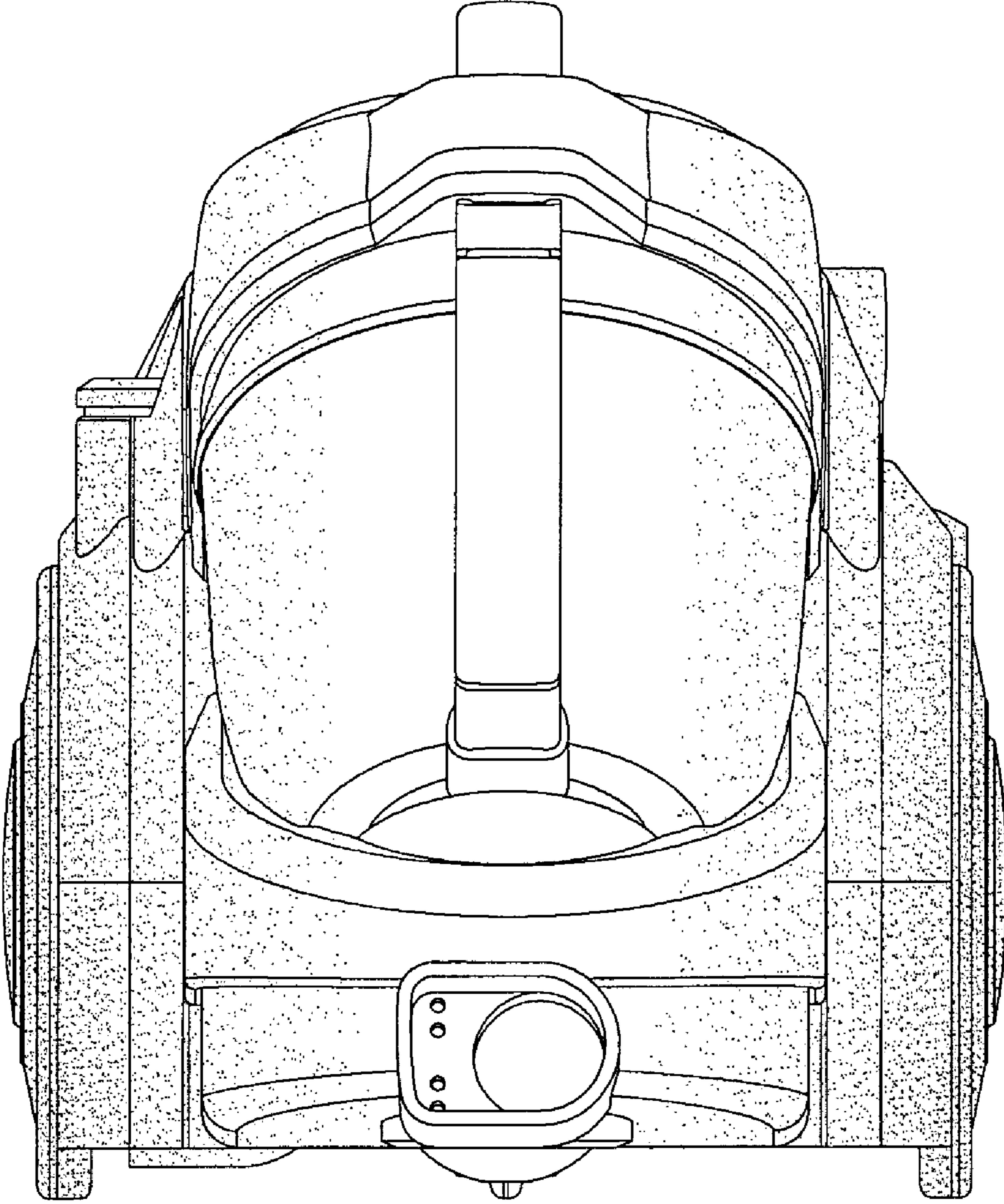


FIG. 5

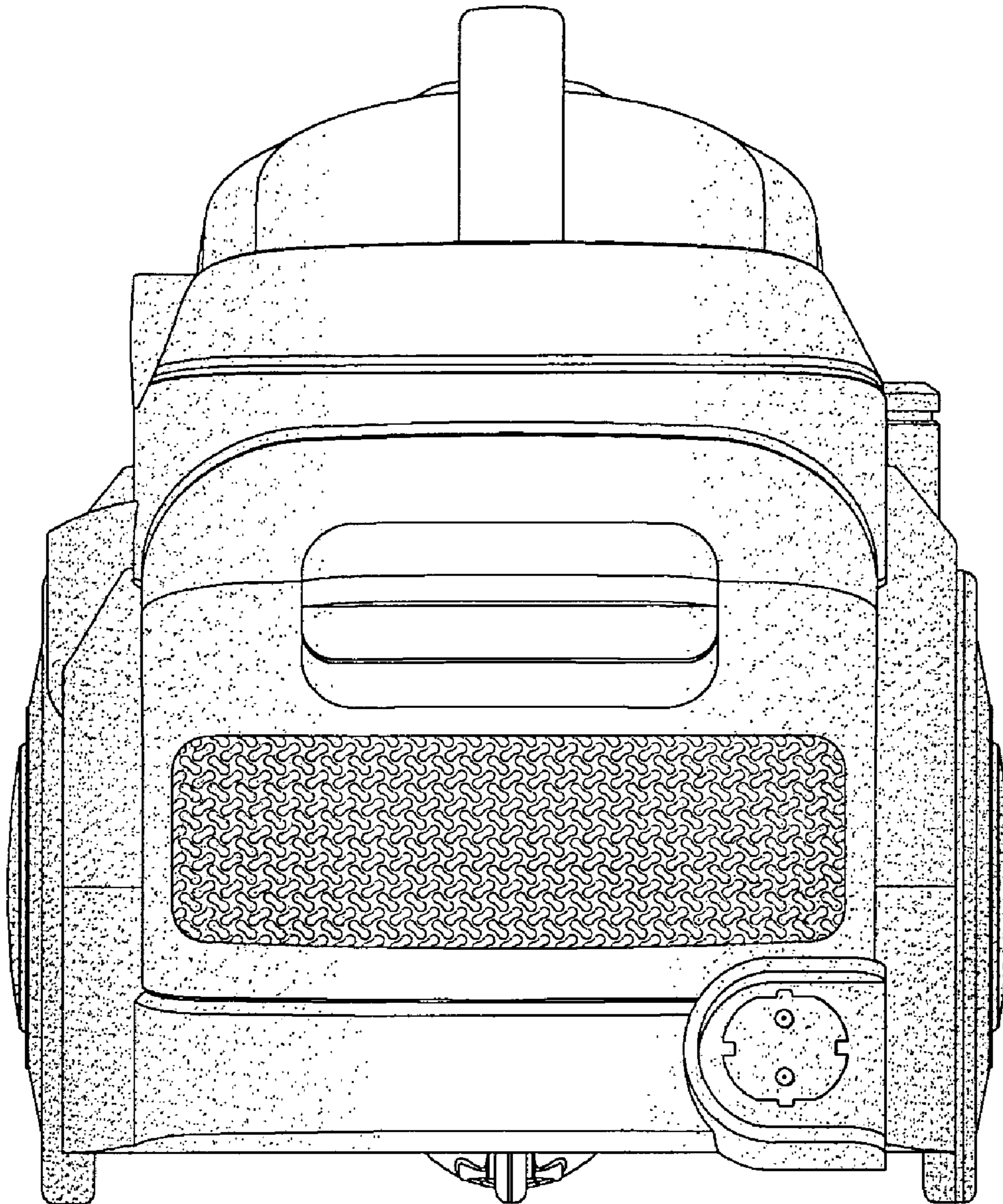


FIG. 6

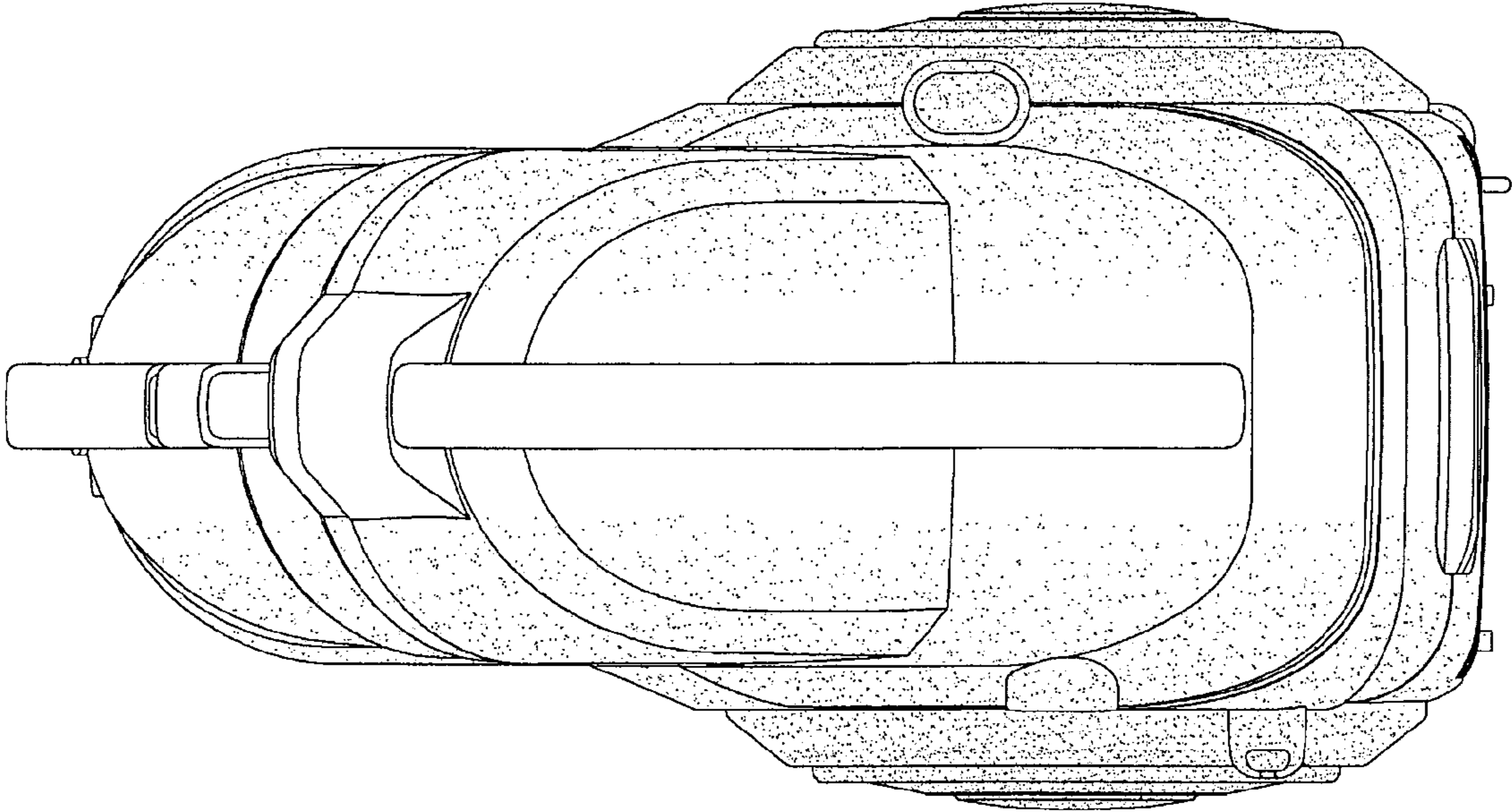


FIG. 7

