



US00D582103S

(12) **United States Design Patent**
Ragonetti et al.

(10) **Patent No.:** **US D582,103 S**
(45) **Date of Patent:** **** Dec. 2, 2008**

- (54) **GROOMING TOOL HANDLE**
- (75) Inventors: **Peter Ragonetti**, Brooklyn, NY (US);
Jonathan Willinger, Tenafly, NJ (US);
Ryan Rutherford, Rutherford, NJ (US)
- (73) Assignee: **JW Pet Company, Inc.**, Teterboro, NJ (US)
- (**) Term: **14 Years**
- (21) Appl. No.: **29/266,492**
- (22) Filed: **Sep. 21, 2006**

D274,658 S *	7/1984	Saferstein et al.	D28/34
D275,804 S *	10/1984	Saferstein et al.	D28/34
D284,412 S *	6/1986	O'Connor et al.	D28/25
4,671,303 A *	6/1987	Saferstein et al.	132/152
D347,492 S *	5/1994	Kruschke et al.	D28/31
D348,120 S *	6/1994	Spector et al.	D28/30
D367,338 S *	2/1996	Bozak	D28/31
D481,168 S *	10/2003	Shannon	D28/25
D502,450 S *	3/2005	Rundt et al.	D13/183
D507,407 S *	7/2005	Woods	D4/132
D509,032 S *	8/2005	Dunn et al.	D30/158
2005/0150465 A1 *	7/2005	Dunn et al.	119/601

FOREIGN PATENT DOCUMENTS

JP 02004159568 A * 6/2004

* cited by examiner

Primary Examiner—Cathron Brooks

Assistant Examiner—Susan Moon Lee

(74) *Attorney, Agent, or Firm*—Katten Muchin Rosenman LLP

- (51) **LOC (8) Cl.** **30-99**
- (52) **U.S. Cl.** **D30/158**
- (58) **Field of Classification Search** D30/158-159,
D30/199; 119/600, 601, 604-606, 611-619,
119/625, 628-633; D4/132-138, 100-102,
D4/122, 127, 119, 114, 199, 130; D28/21-34,
D28/63, 25, 44, 44.1, 45-48, 39-43; 401/28;
132/119-121, 152, 154, 147-150, 108-110,
132/112-116, 212, 219, 159; D32/40, 41,
D32/49, 46, 51, 35; 15/50.1-50.3, 55, 57,
15/71, 77, 79.1, 104.002, 105, 106, 143.1,
15/159.1, 160, 186-188, 169, 236.01, 236.02,
15/245, 117, 121, 245.1; 56/400.01, 400.17,
56/400.21; D24/147, 133
See application file for complete search history.

(57) **CLAIM**

We claim the ornamental design for a grooming tool handle, as shown and described.

DESCRIPTION

FIG. 1 is a perspective view of a grooming tool handle;

FIG. 2 is a front view thereof;

FIG. 3 is a rear view thereof;

FIG. 4 is a left-side view thereof;

FIG. 5 is a right-side view thereof;

FIG. 6 is a top view thereof; and,

FIG. 7 is a bottom view thereof.

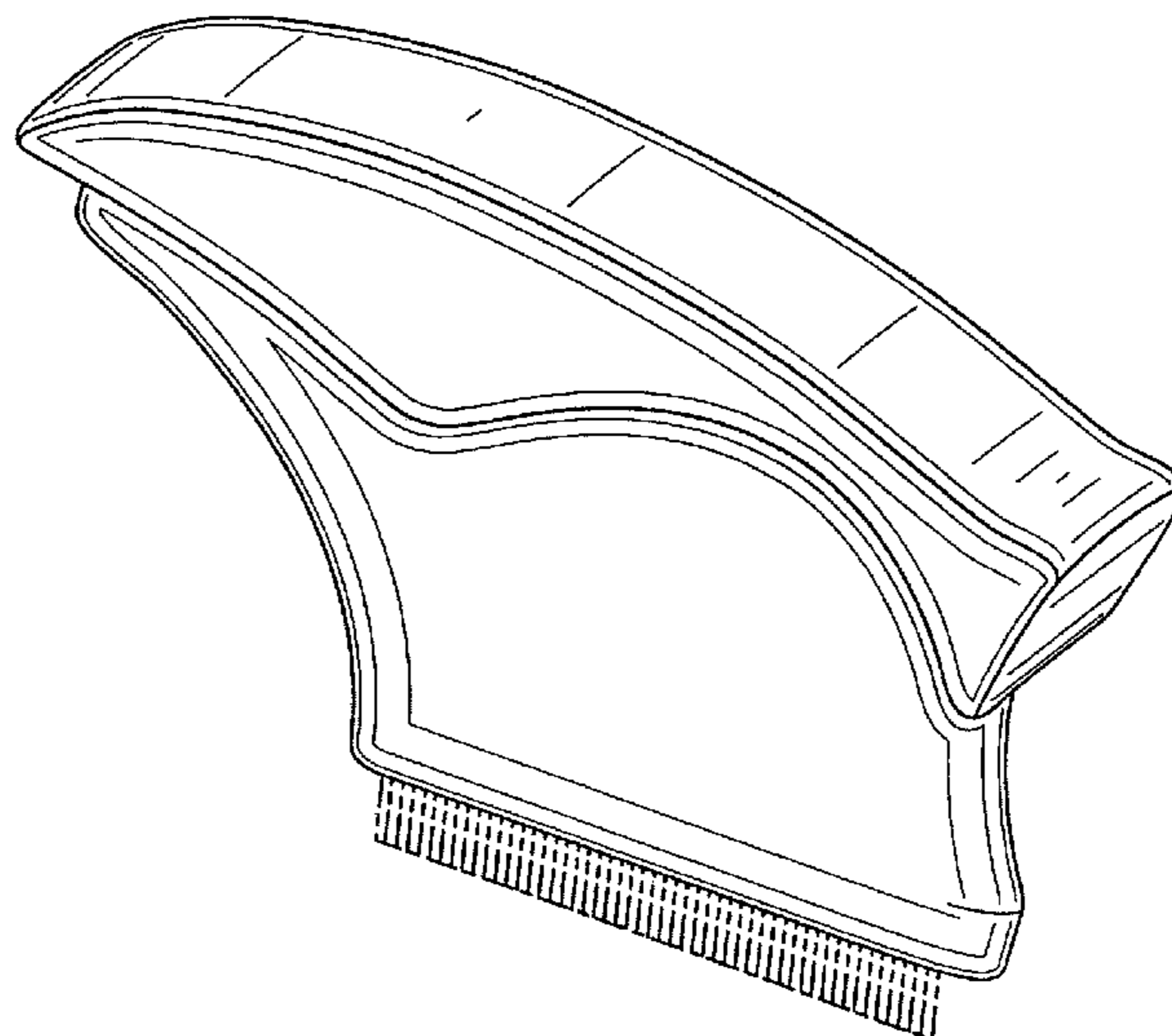
The portions of the designs that are shown in broken lines do not form part of the claimed design.

(56) **References Cited**

U.S. PATENT DOCUMENTS

D64,611 S *	5/1924	Trachtenberg	D28/25
D132,271 S *	5/1942	Coakley	D28/26
D192,201 S *	2/1962	Rolls	D28/30
D202,320 S *	9/1965	Van Every, Jr.	D28/31
D212,384 S *	10/1968	Darge	D32/46
3,481,345 A *	12/1969	Cournoyer	132/149
D226,045 S *	1/1973	Yran	D24/211
D230,656 S *	3/1974	Hafler	D28/25

1 Claim, 5 Drawing Sheets



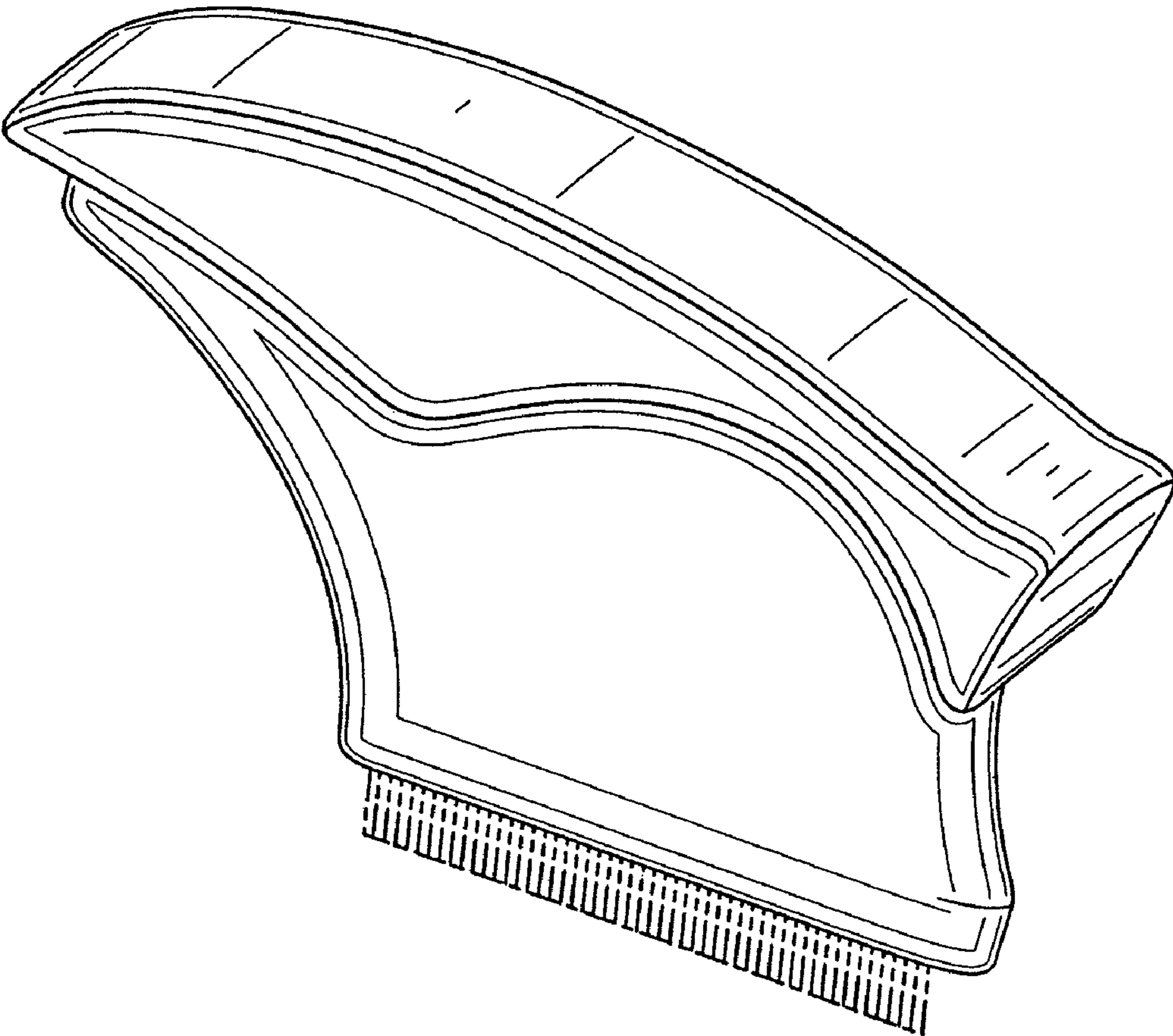


FIG. 1

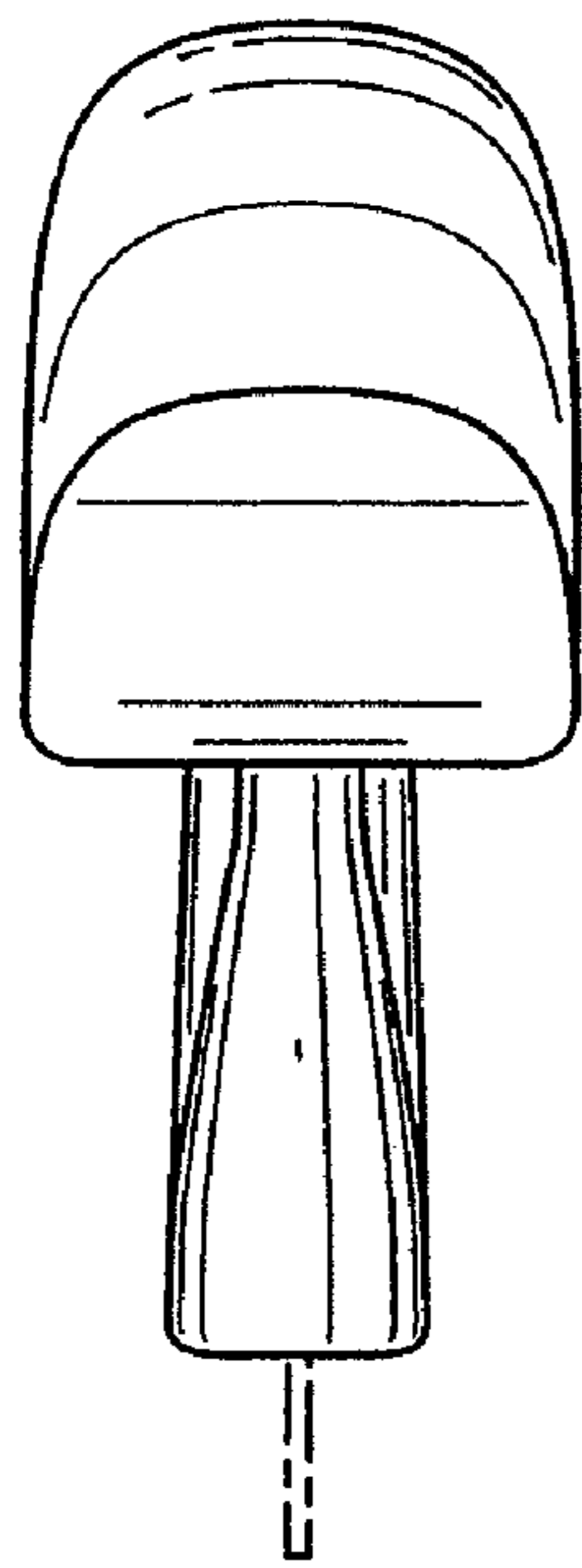


FIG. 2

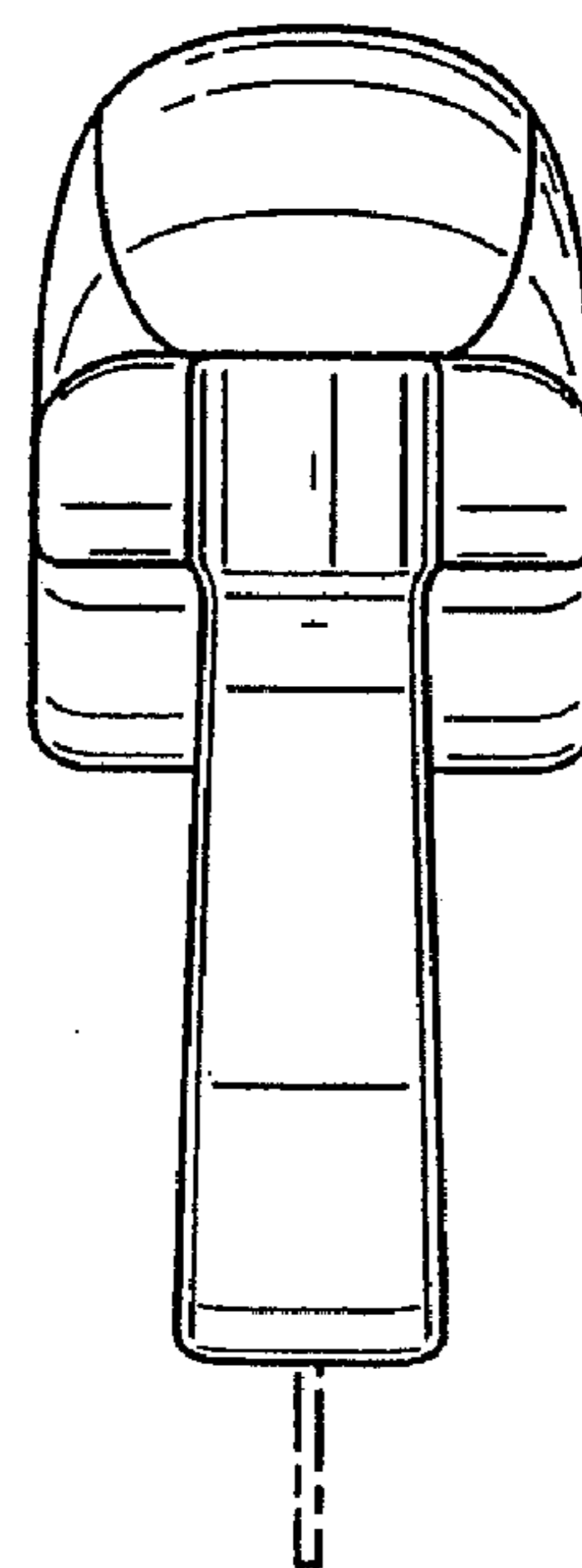


FIG. 3

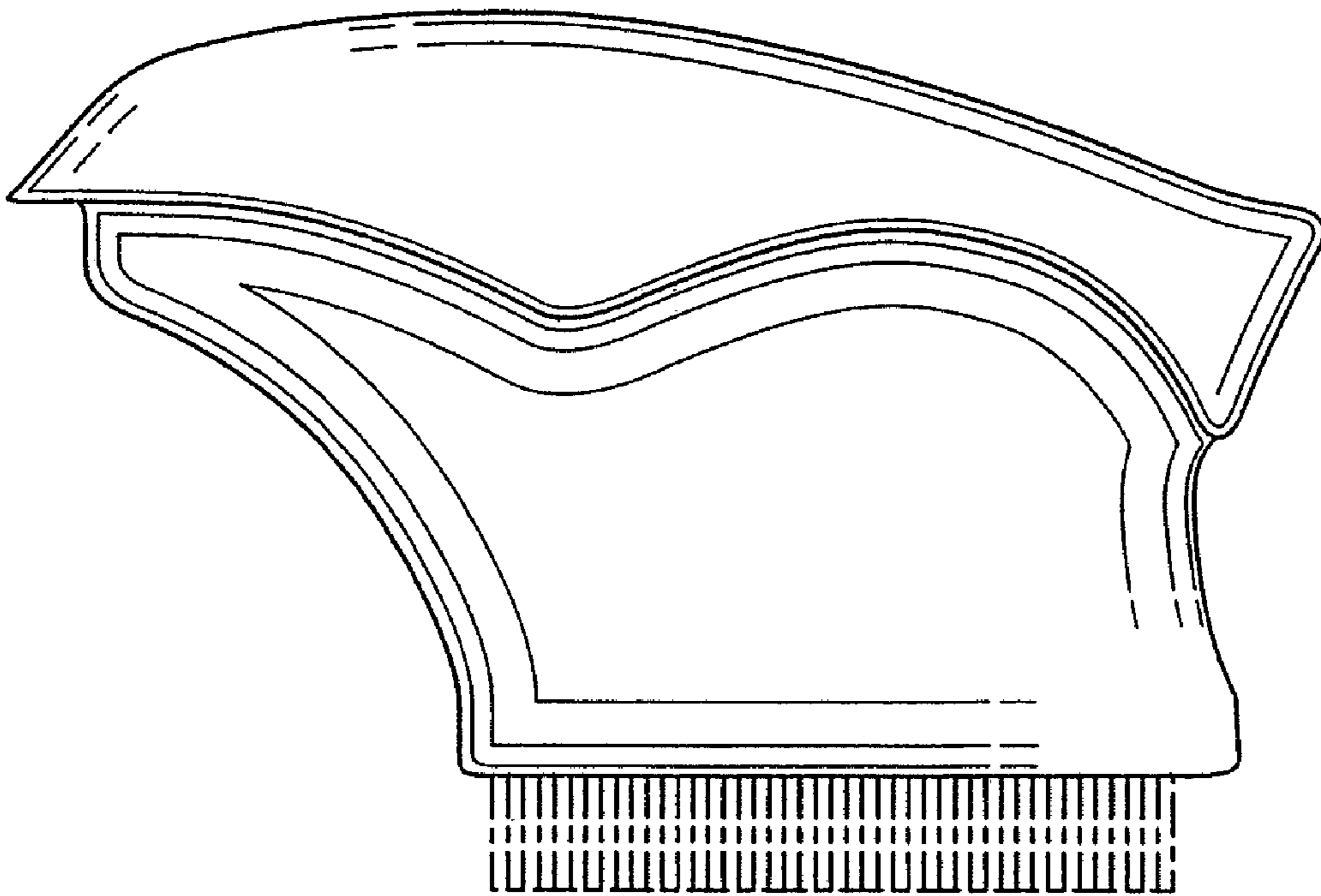


FIG. 4

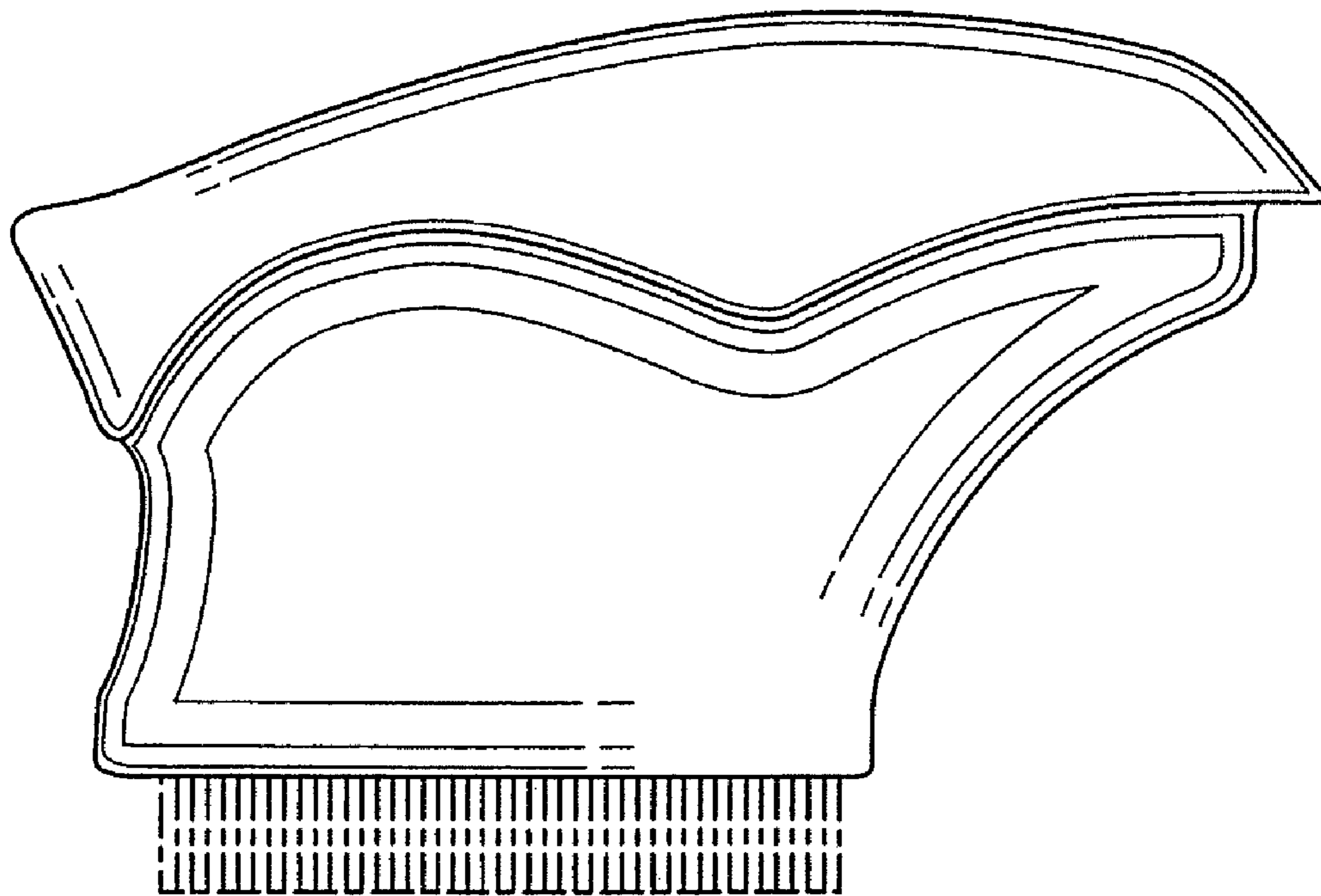


FIG. 5

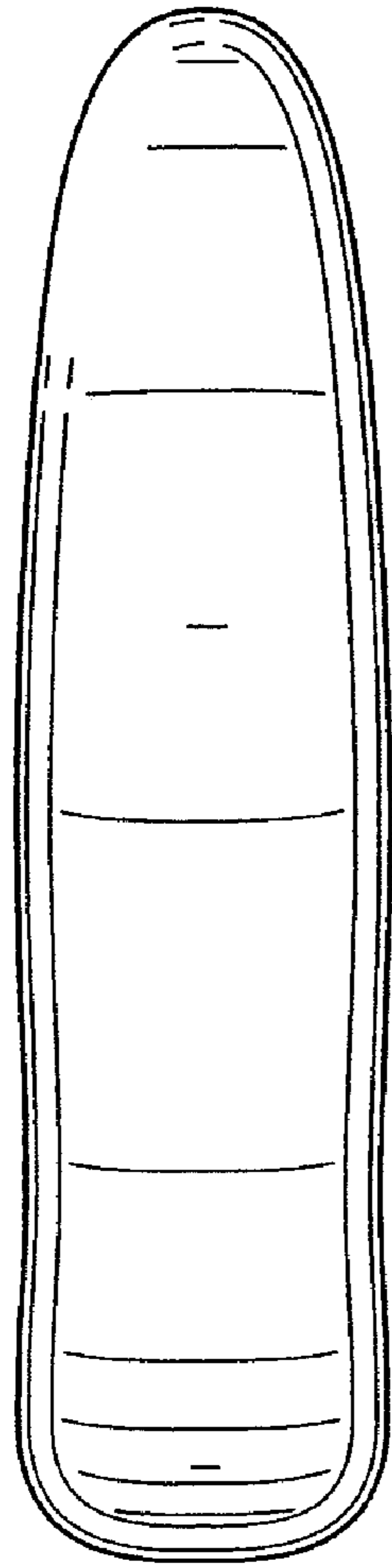


FIG. 6

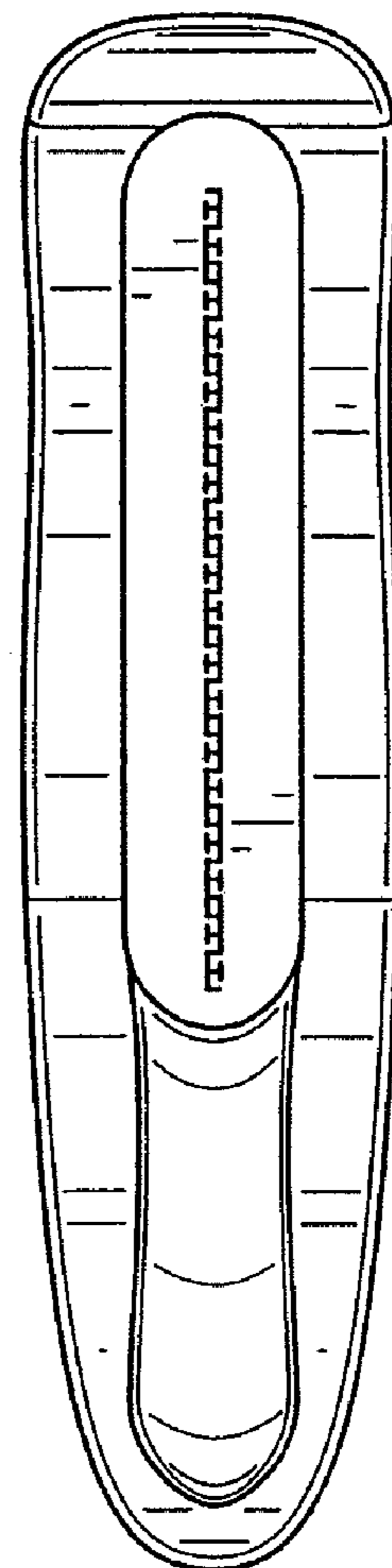


FIG. 7