



US00D582096S

(12) **United States Design Patent**
Sun et al.

(10) **Patent No.:** **US D582,096 S**
(45) **Date of Patent:** **** Dec. 2, 2008**

(54) **EPILATION DEVICE**

(75) Inventors: **Anita Schu-chiam Shyun Sun**, Los Angeles, CA (US); **Sara Ella Maita**, San Francisco, CA (US)

(73) Assignee: **Sun Maita, Inc.**, Alhambra, CA (US)

(**) Term: **14 Years**

(21) Appl. No.: **29/294,101**

(22) Filed: **Dec. 21, 2007**

Related U.S. Application Data

(63) Continuation of application No. 11/986,148, filed on Nov. 19, 2007.

(51) **LOC (8) Cl.** **28-03**

(52) **U.S. Cl.** **D28/44.1**

(58) **Field of Classification Search** 30/30, 30/32, 34.05, 34.1–34.2, 44–45, 43–43.92, 30/47–51, 57–58, 526–527, 532–533; D28/49–54, D28/44.1; 606/133; D24/133, 147
See application file for complete search history.

(56) **References Cited**

U.S. PATENT DOCUMENTS

4,931,054 A * 6/1990 Gross D24/133

4,960,421 A * 10/1990 Daar et al. 606/133
4,988,354 A * 1/1991 Locke D28/44.1
6,248,115 B1 * 6/2001 Halk 606/133
2002/0128664 A1 * 9/2002 Moghadam 606/133
2004/0087973 A1 * 5/2004 Shobeiri 606/133

* cited by examiner

Primary Examiner—Jennifer Rivard

(74) *Attorney, Agent, or Firm*—Lisa A. Karczewski; Chan Law Group LLP

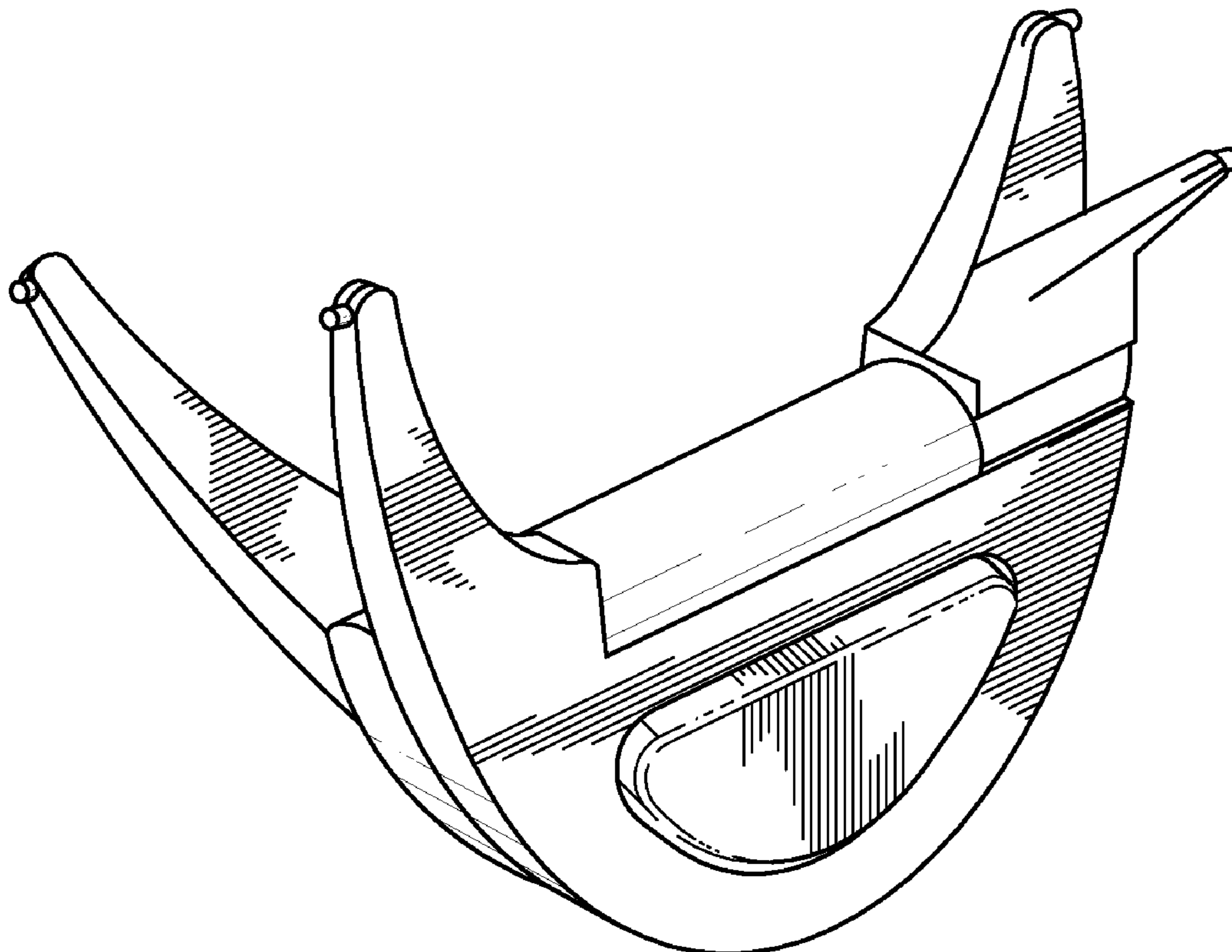
(57) **CLAIM**

We claim an ornamental design for an epilation device, substantially as shown and described.

DESCRIPTION

FIG. 1 is a perspective view of an epilation device;
FIG. 2 is a front view of an epilation device;
FIG. 3 is a rear view of an epilation device;
FIG. 4 is a left side view of an epilation device;
FIG. 5 is a right side view of an epilation device;
FIG. 6 is a bottom view of an epilation device; and,
FIG. 7 is a top view of an epilation device.

1 Claim, 3 Drawing Sheets



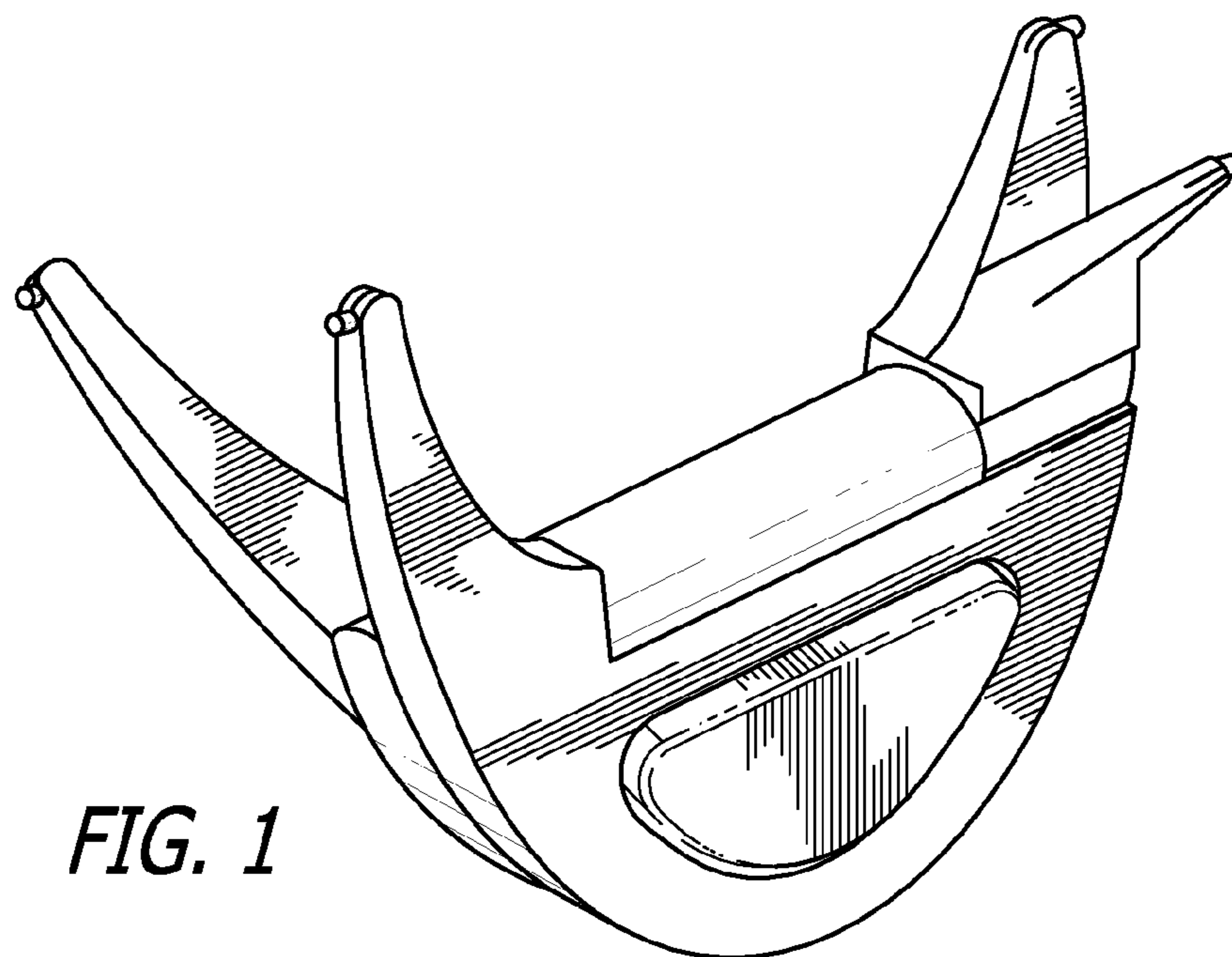


FIG. 1

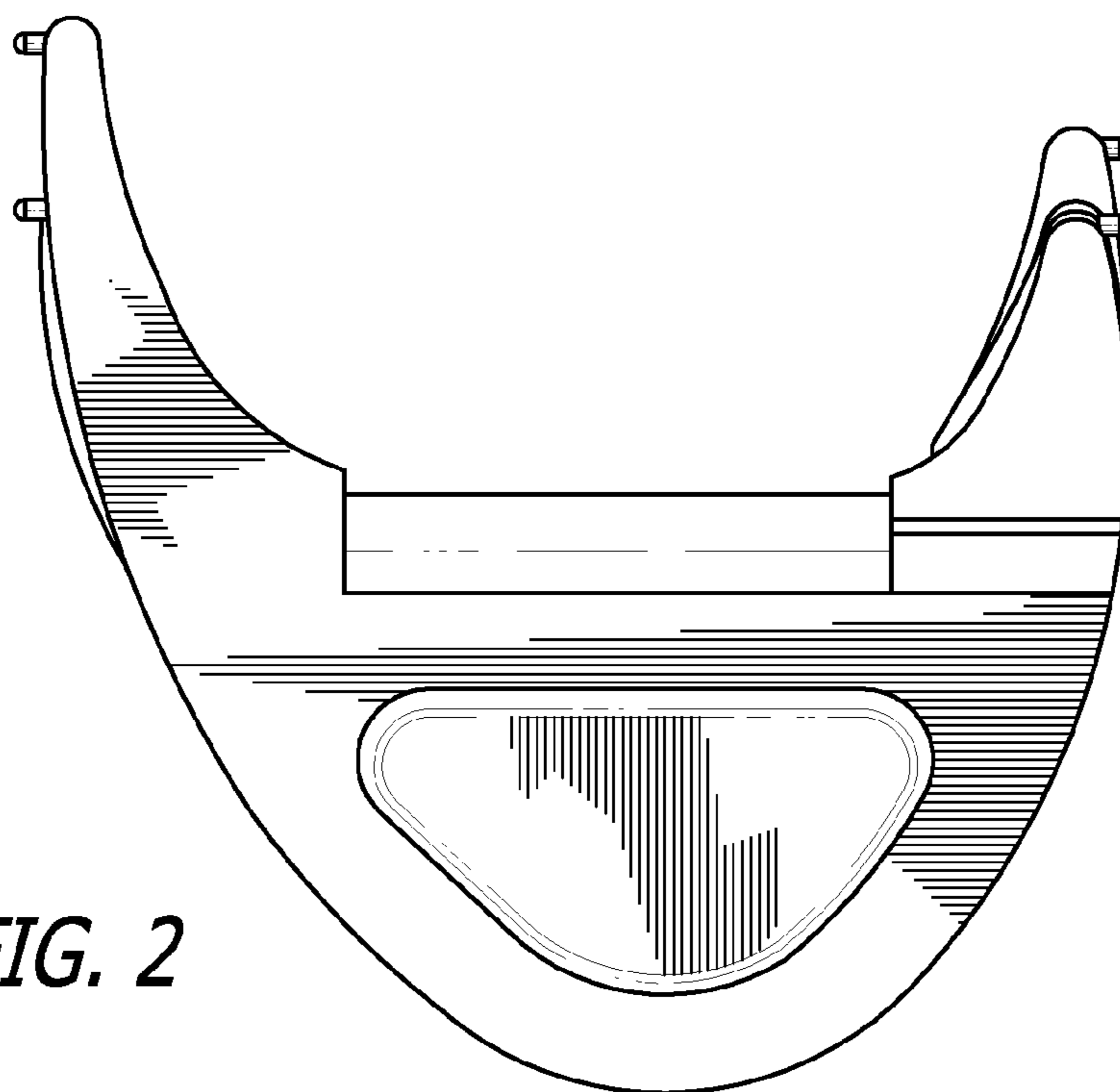


FIG. 2

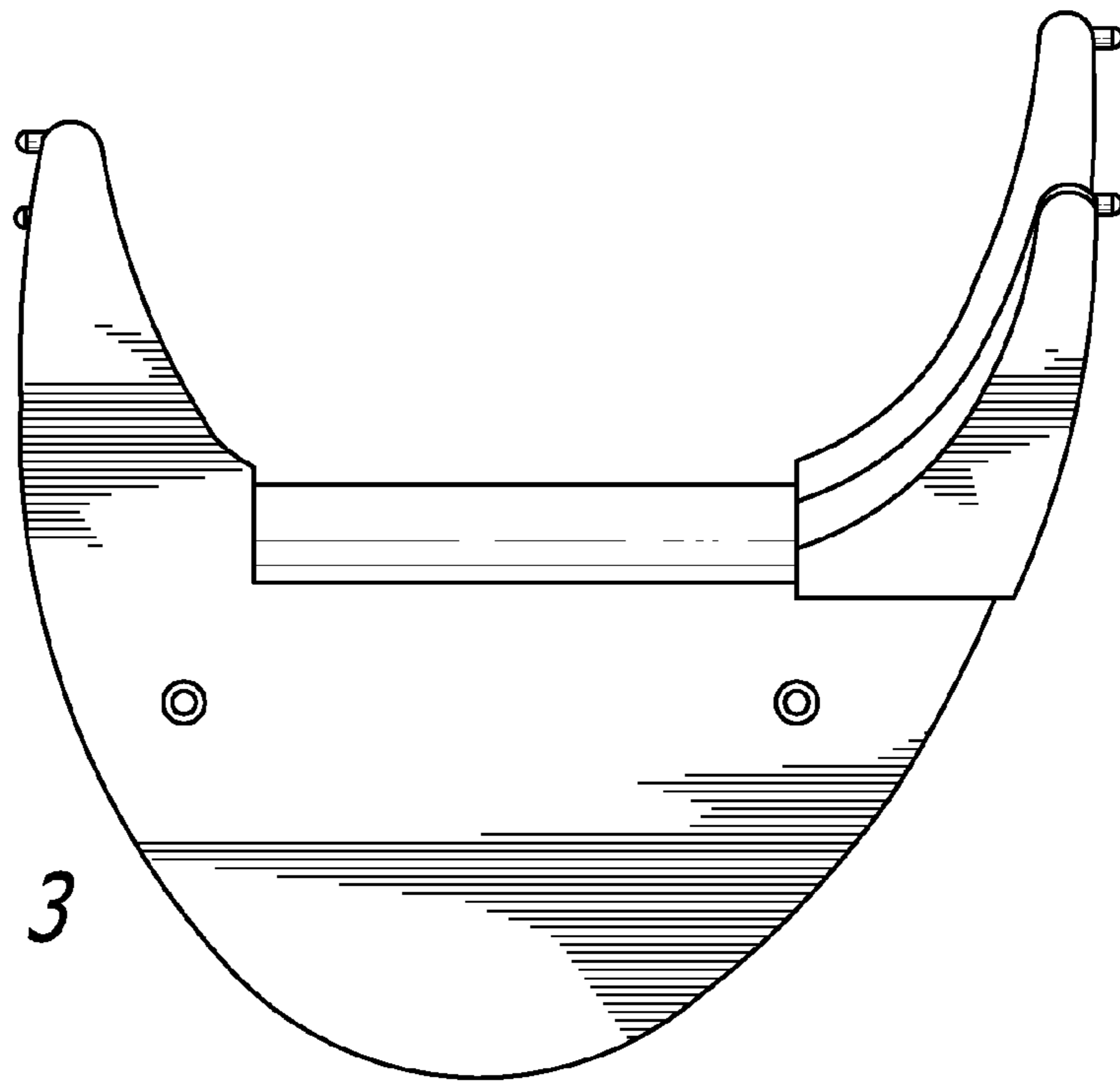


FIG. 3

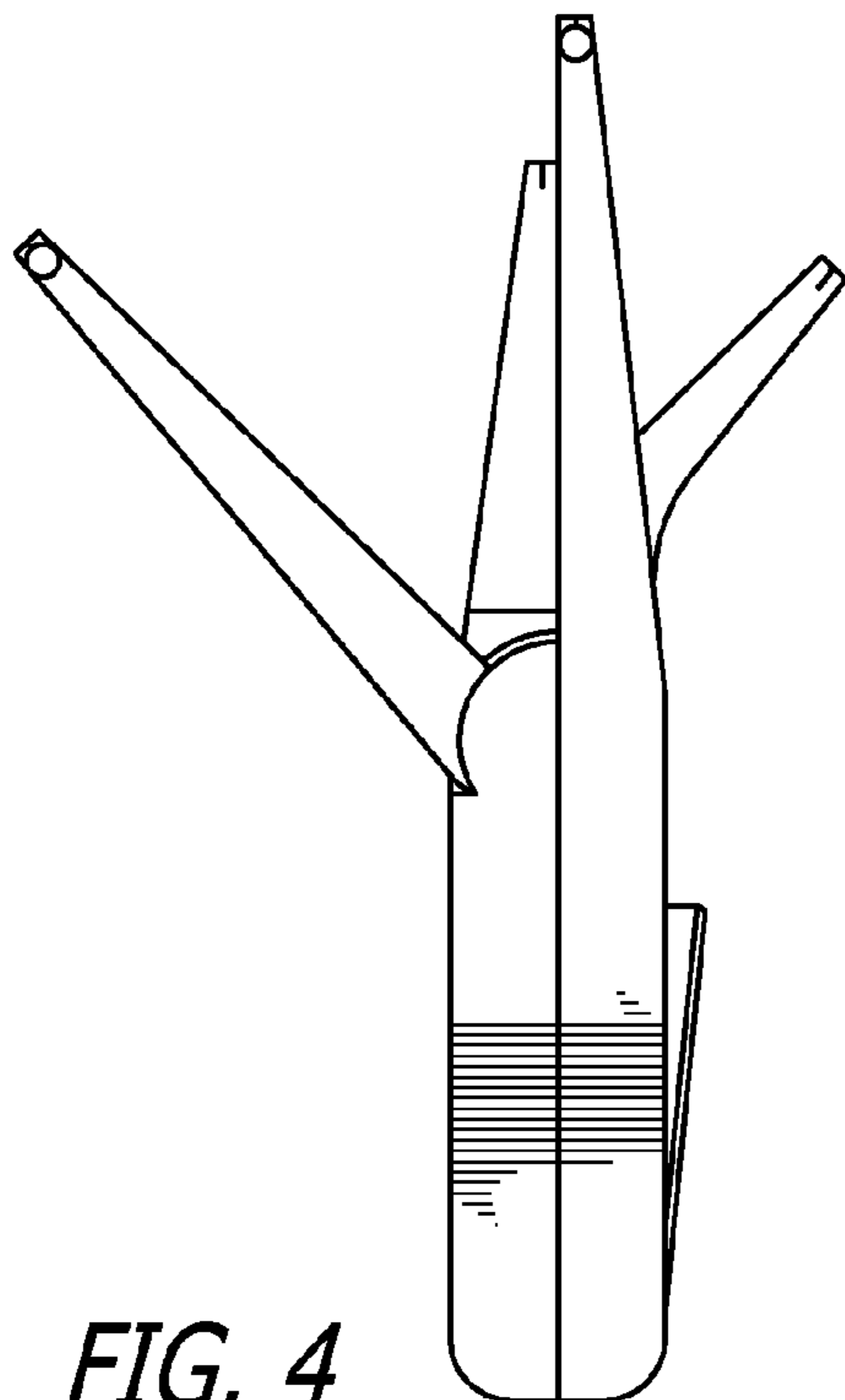


FIG. 4

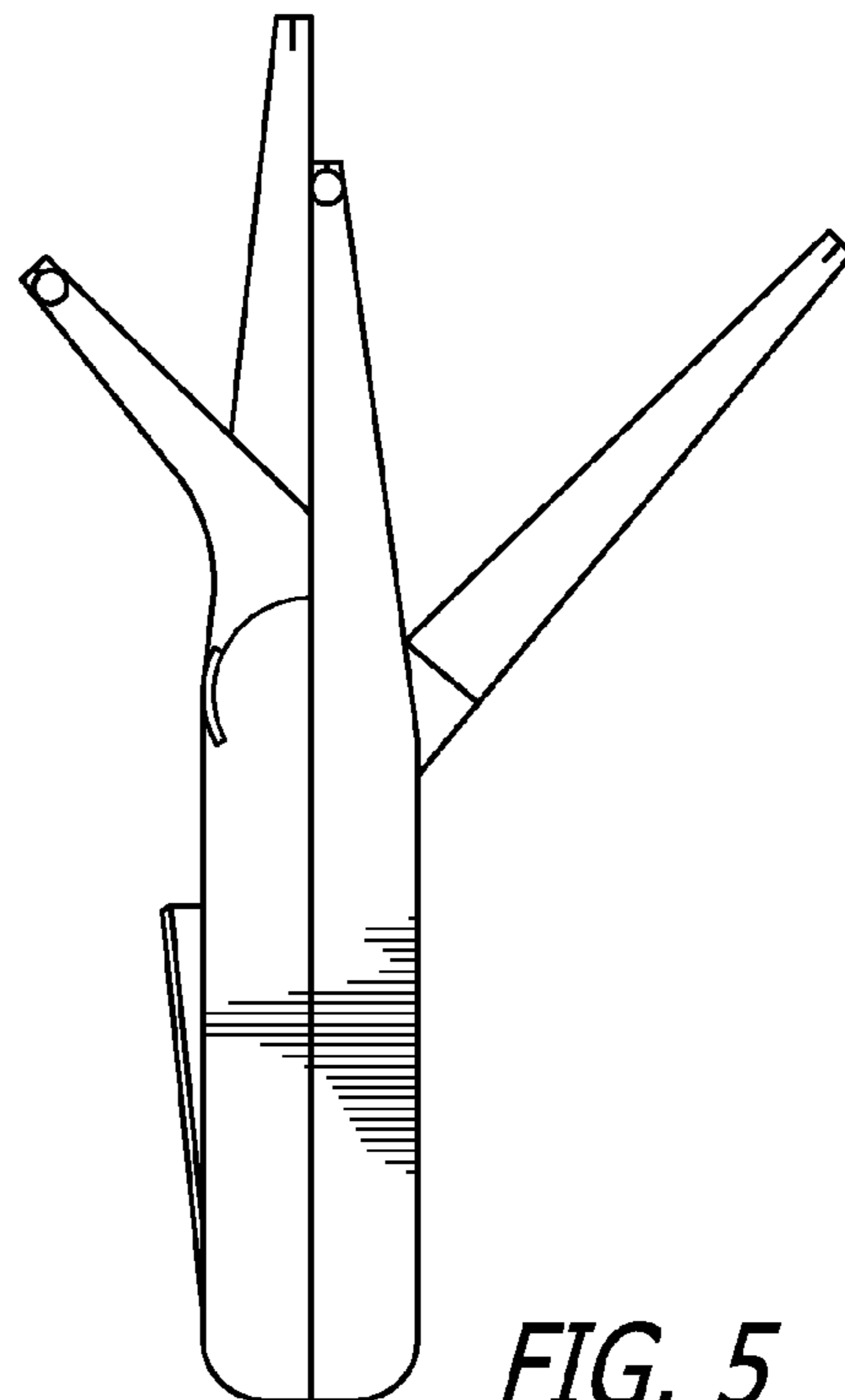


FIG. 5

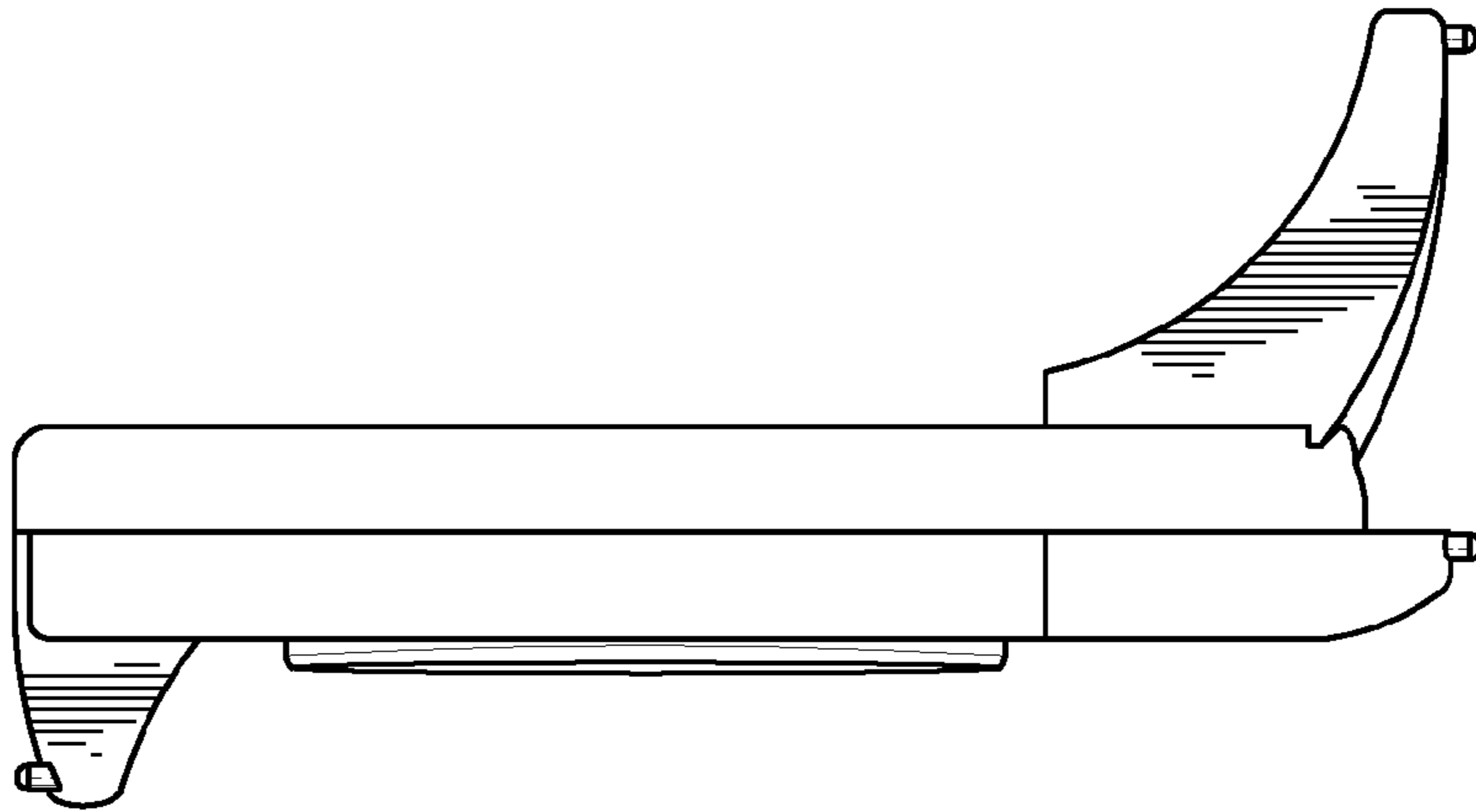


FIG. 6

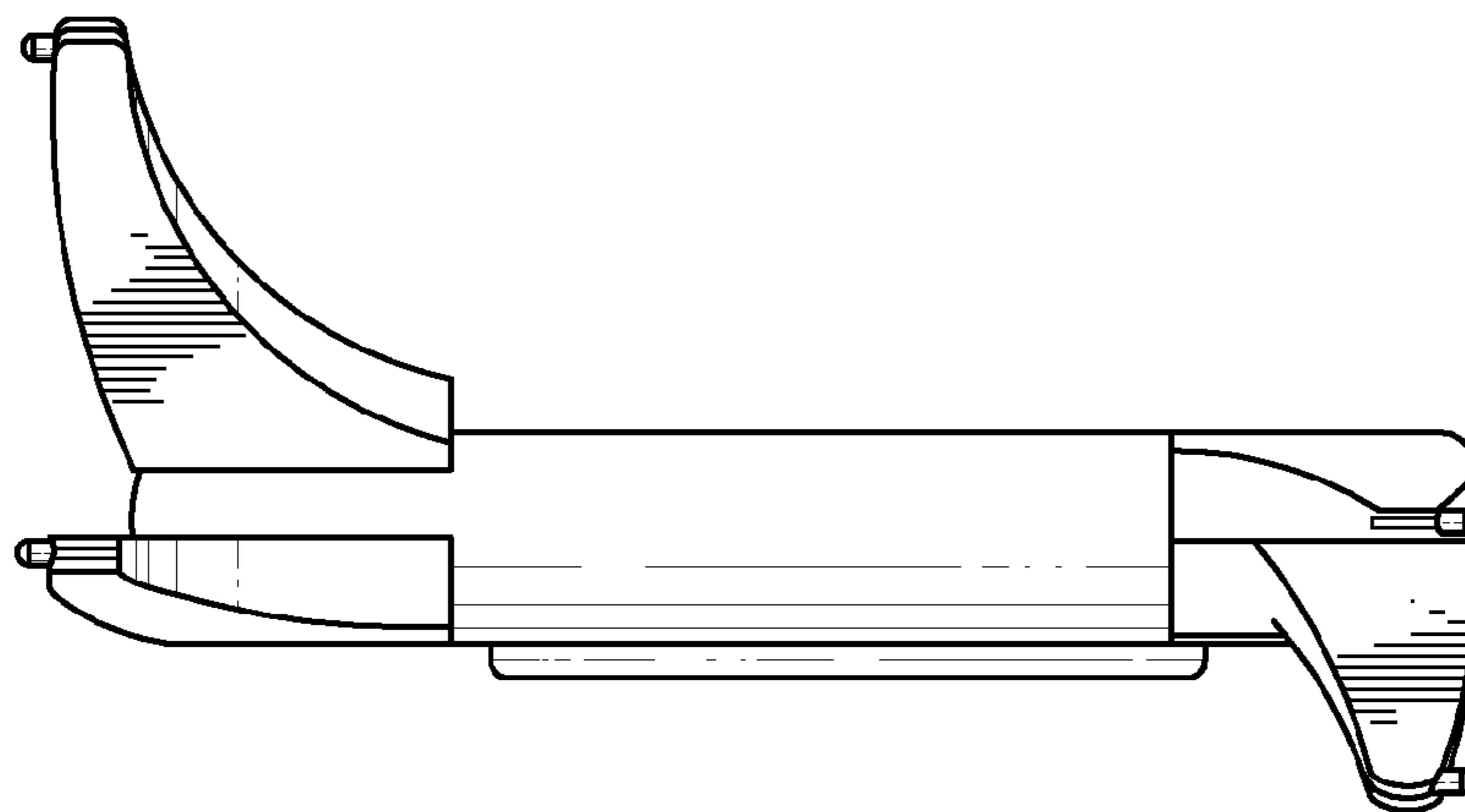


FIG. 7