



US00D582090S

(12) **United States Design Patent**  
**Osgerby et al.**

(10) **Patent No.:** **US D582,090 S**

(45) **Date of Patent:** **\*\* Dec. 2, 2008**

(54) **WALL LAMP**

(75) Inventors: **Jay Osgerby**, London (GB); **Edward Barber**, London (GB)

(73) Assignee: **FLOS S.p.A.**, Bovezzo (Brescia) (IT)

(\*\*) Term: **14 Years**

(21) Appl. No.: **29/295,417**

(22) Filed: **Sep. 28, 2007**

(30) **Foreign Application Priority Data**

Mar. 30, 2007 (EM) ..... 000698774-0002

(51) **LOC (8) Cl.** ..... **26-03**

(52) **U.S. Cl.** ..... **D26/87**

(58) **Field of Classification Search** ..... D26/63,  
D26/72, 75-78, 85, 87, 89; 362/147, 404,  
362/347, 350, 432

See application file for complete search history.

(56) **References Cited**

**U.S. PATENT DOCUMENTS**

D54,432 S \* 2/1920 MacLewee ..... D26/63  
D73,126 S \* 7/1927 Garey ..... D26/63  
2,401,635 A \* 6/1946 Guth ..... 362/224

D148,036 S \* 12/1947 Robinson ..... D26/85  
D226,497 S \* 3/1973 O'Brien ..... D26/63  
D255,941 S \* 7/1980 Grant ..... D26/76  
D304,507 S \* 11/1989 Evenson ..... D26/76  
D339,654 S \* 9/1993 Chan ..... D26/85  
D390,992 S \* 2/1998 Shemitz ..... D26/63  
D441,114 S \* 4/2001 Chen ..... D26/63

\* cited by examiner

*Primary Examiner*—Clare E Heflin

(74) *Attorney, Agent, or Firm*—McGlew & Tuttle, P.C.

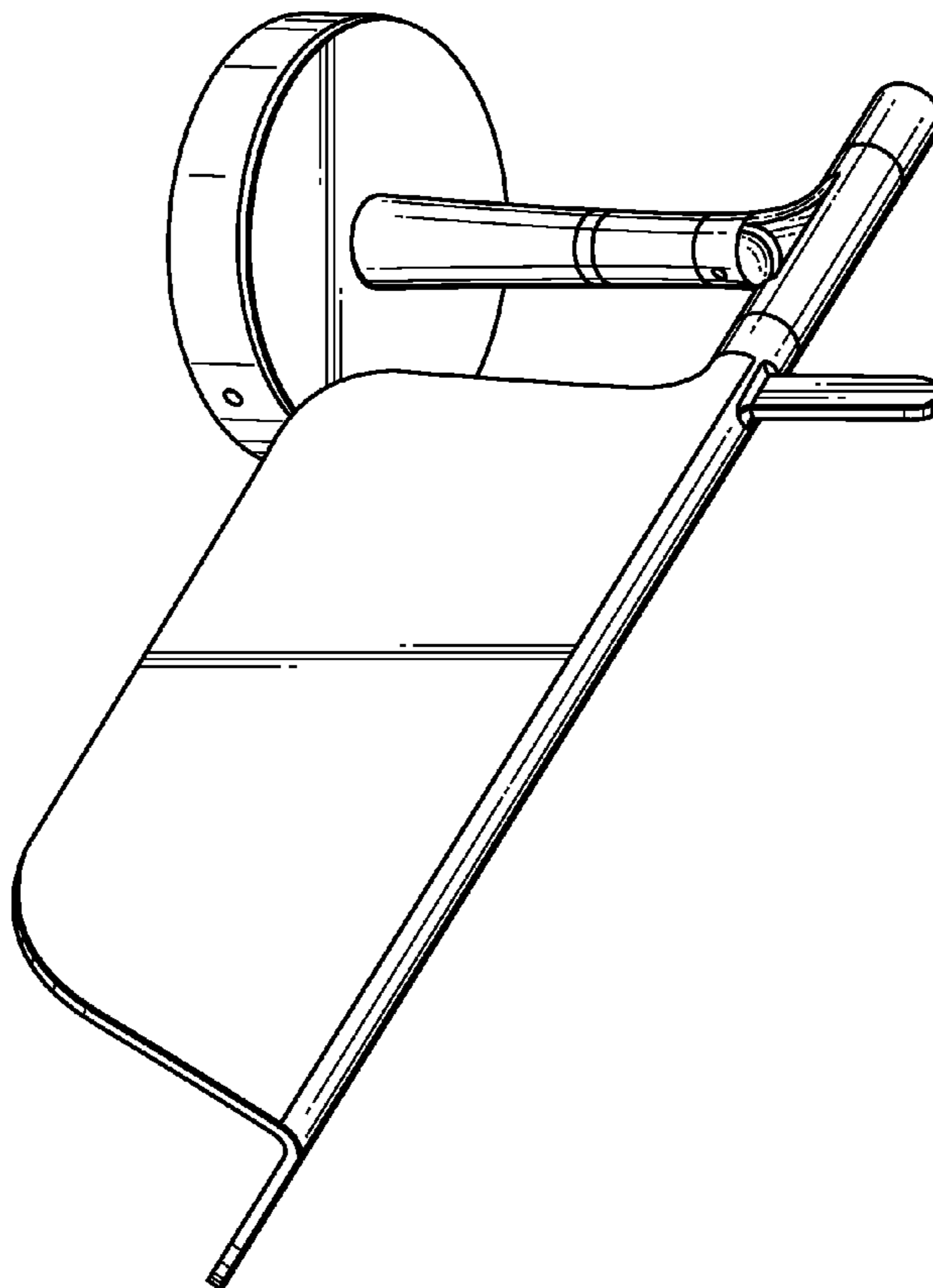
(57) **CLAIM**

The ornamental design for a wall lamp, as shown and described.

**DESCRIPTION**

FIG. 1 is a perspective view of our new wall lamp design;  
FIG. 2 is a front elevation view thereof;  
FIG. 3 is a rear elevation view thereof;  
FIG. 4 is a top view thereof;  
FIG. 5 is a bottom view thereof;  
FIG. 6 is a right side elevation view thereof; and,  
FIG. 7 is a left side elevation view thereof.

**1 Claim, 4 Drawing Sheets**



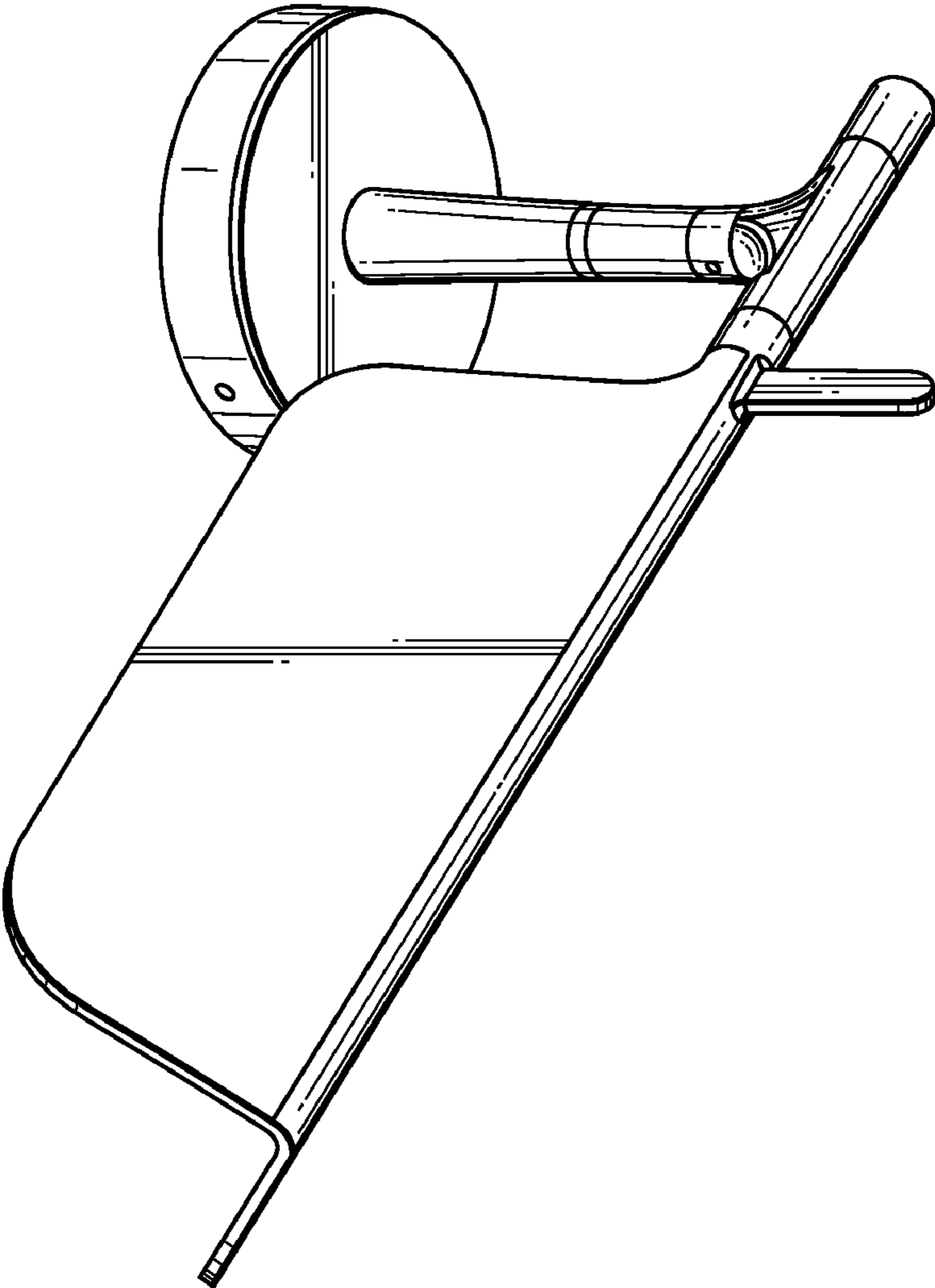


FIG. 1

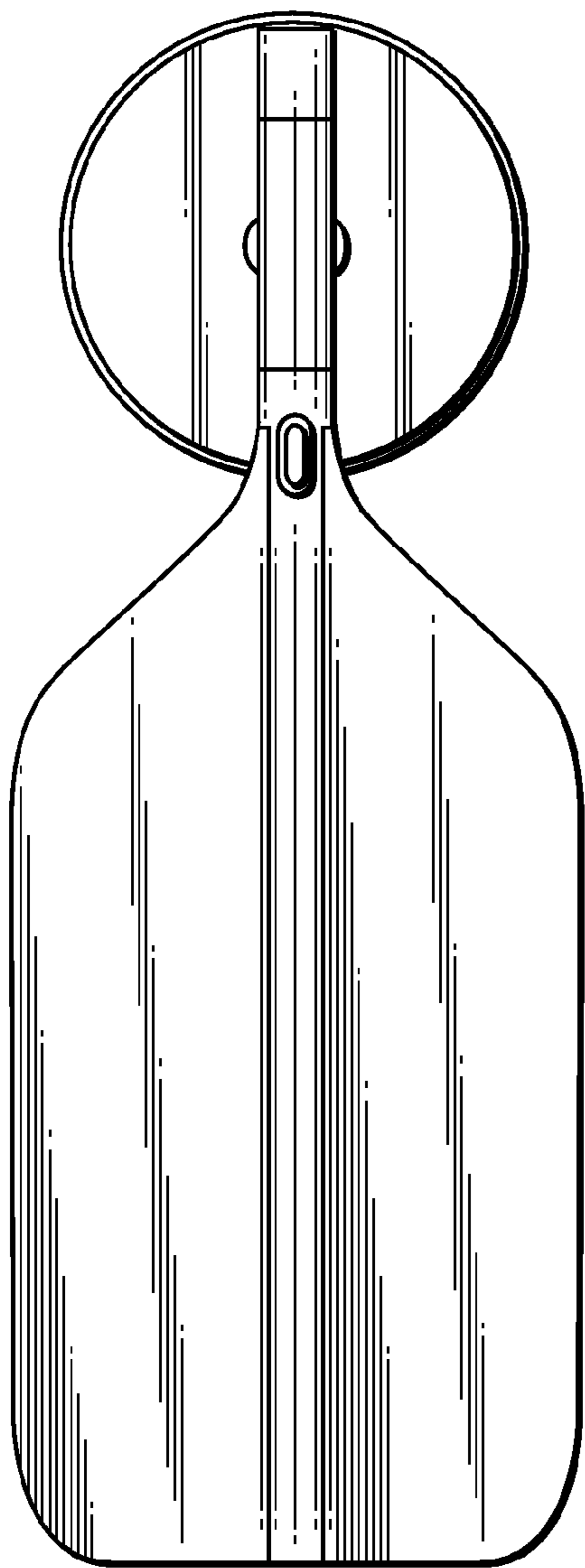


FIG. 2

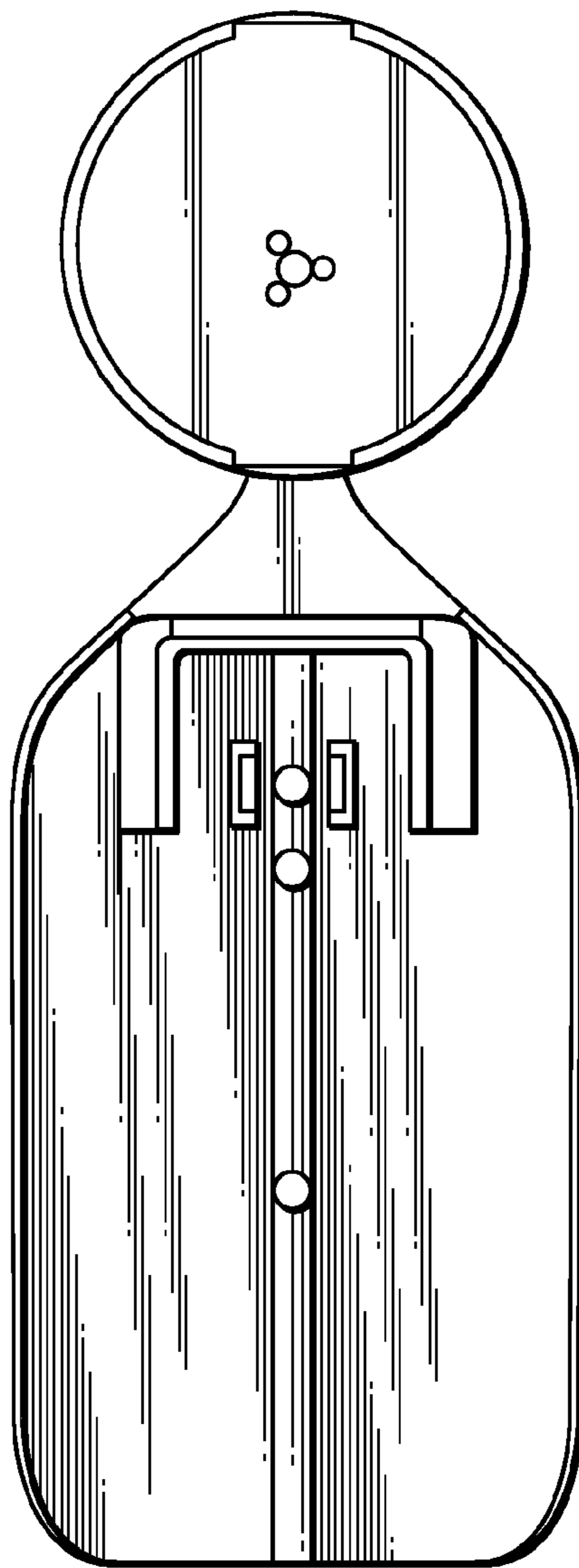


FIG. 3

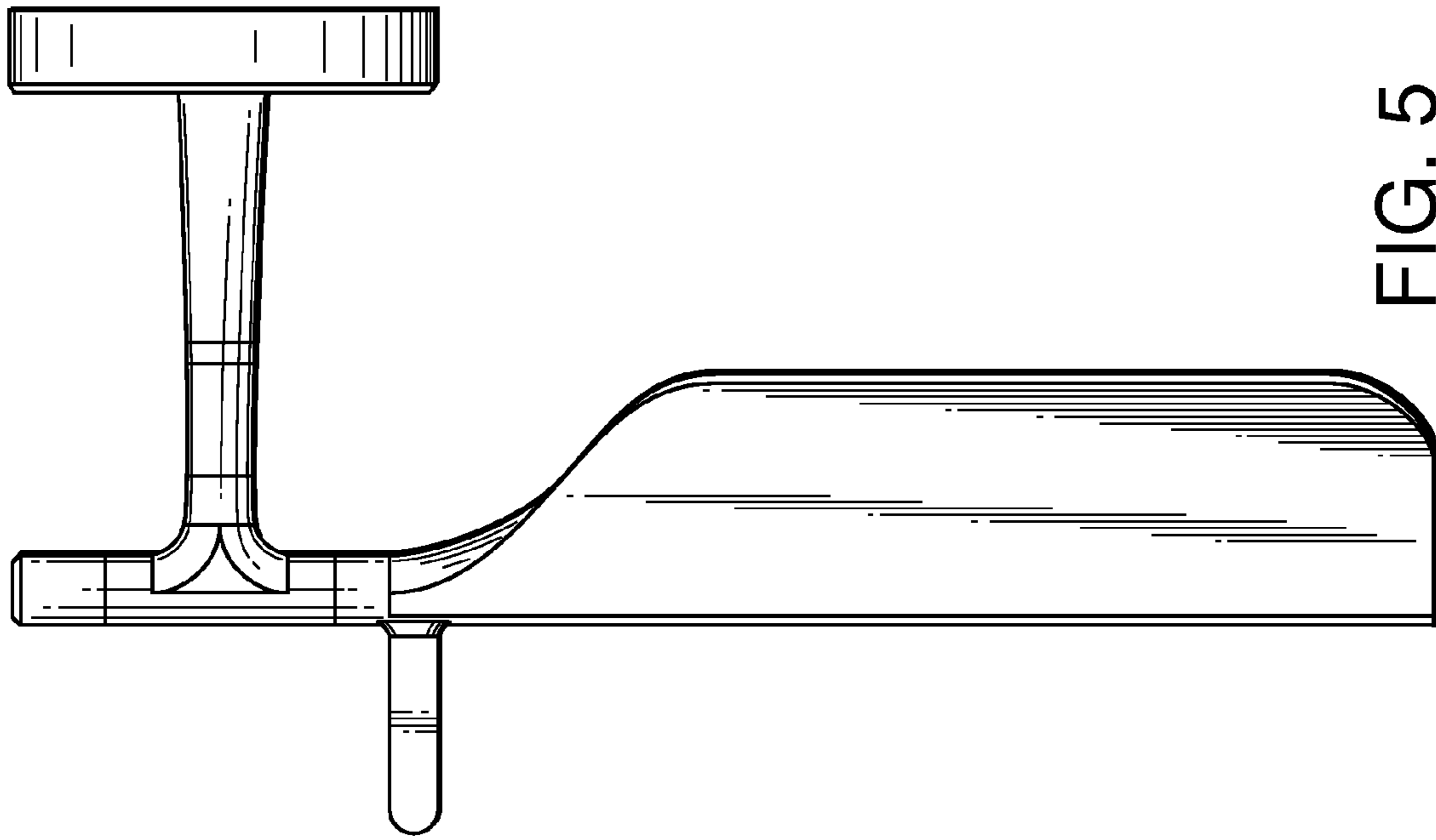


FIG. 5

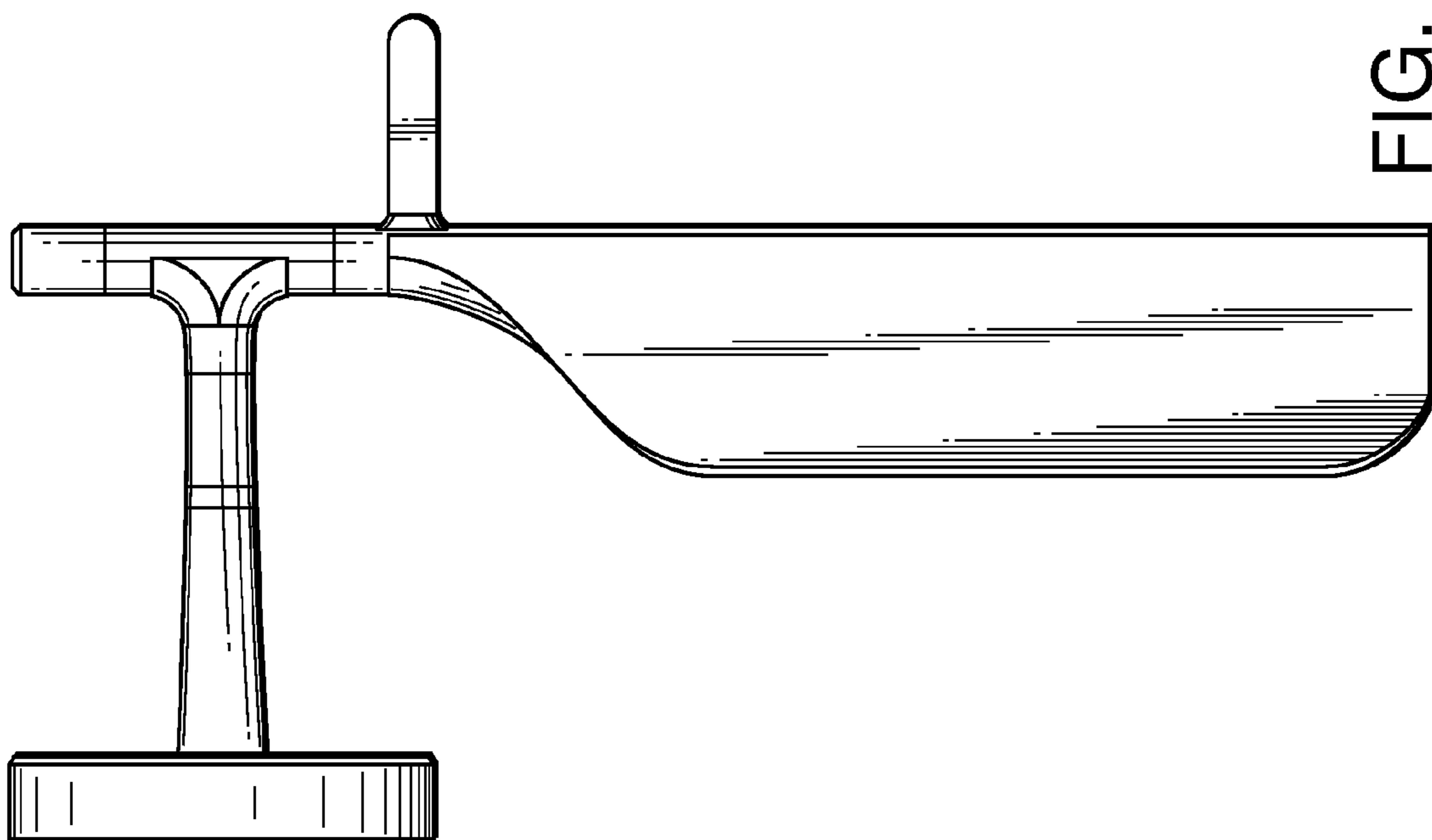


FIG. 4

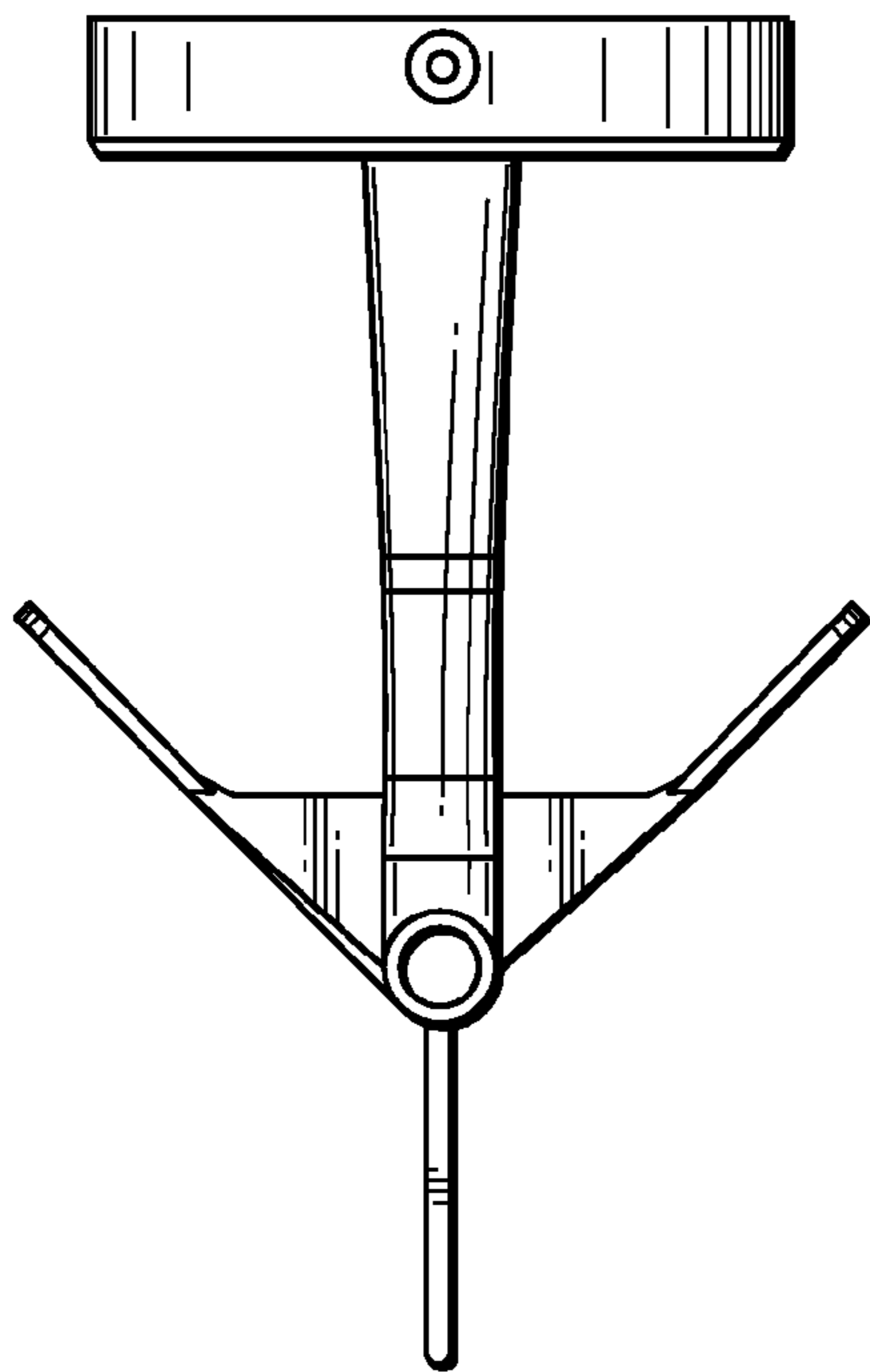


FIG. 6

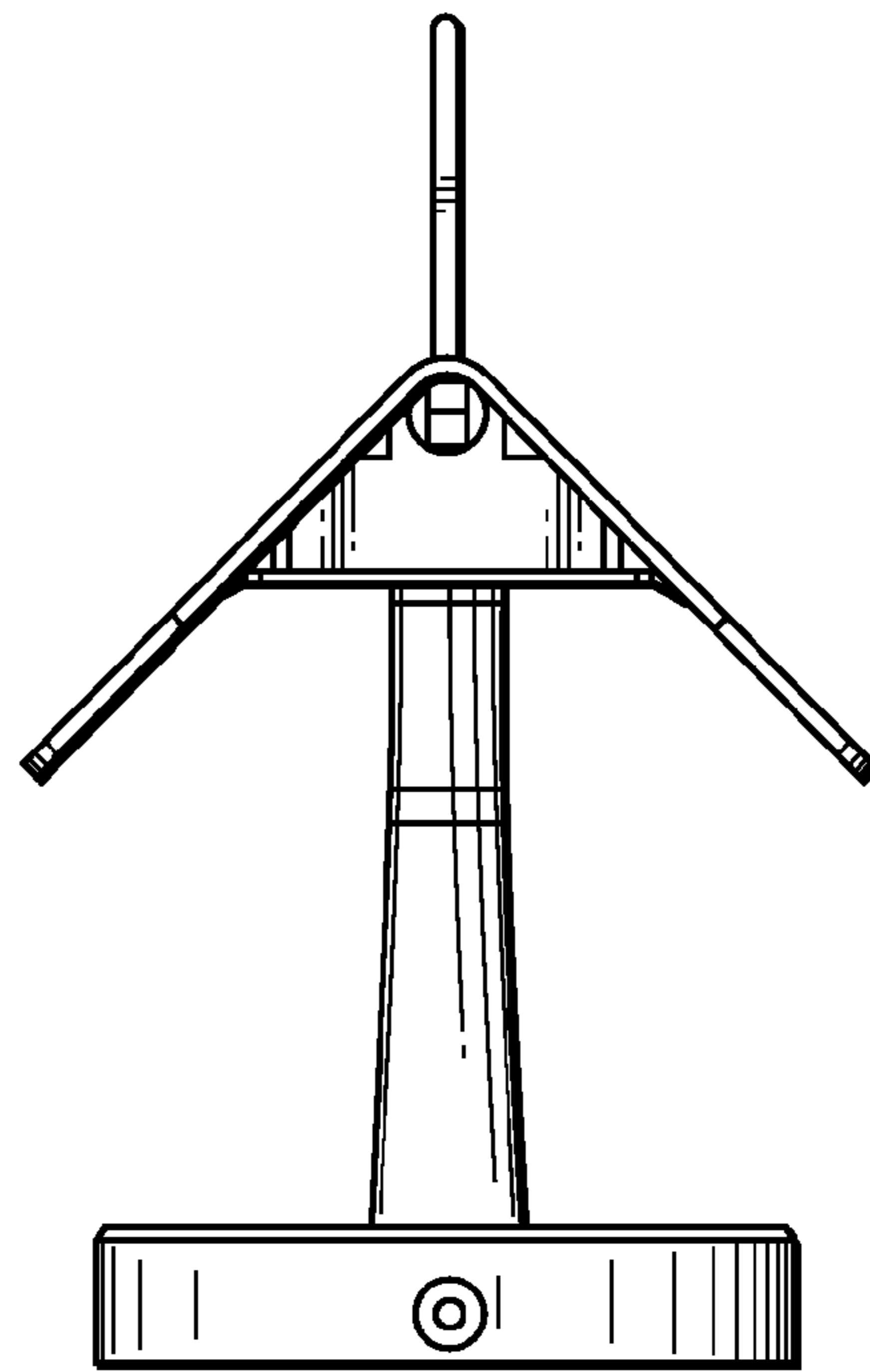


FIG. 7