



US00D582088S

(12) **United States Design Patent**
Lin

(10) **Patent No.:** **US D582,088 S**
(45) **Date of Patent:** **** Dec. 2, 2008**

(54) **ADJUSTABLE TRACKLIGHT**

(76) Inventor: **Shan Chaing Lin**, No. 2, Lane 111, Ta
Chu Road, Lu Chu Hsiang, Taoyuan
Hsien (TW)

(**) Term: **14 Years**

(21) Appl. No.: **29/290,100**

(22) Filed: **Oct. 22, 2007**

(51) **LOC (8) Cl.** **26-05**

(52) **U.S. Cl.** **D26/64**

(58) **Field of Classification Search** D26/24,
D26/37, 43, 44, 51, 56, 60-66, 71, 72, 85-93,
D26/107, 113, 118, 138, 142; 362/410, 413,
362/414, 419, 427, 285, 282, 277, 275, 274,
362/271, 270, 269, 431, 401, 402, 251, 147,
362/432, 362, 155-157, 648, 250, 283; D13/110,
D13/133, 139.2; D16/135; D10/106
See application file for complete search history.

(56) **References Cited**

U.S. PATENT DOCUMENTS

D174,289 S * 3/1955 Mell D26/44
D175,528 S * 9/1955 Atkin D26/138
D316,908 S * 5/1991 Atkinson et al. D26/63
D316,909 S * 5/1991 Atkinson et al. D26/63
D328,147 S * 7/1992 Gecchelin D26/63

D413,176 S * 8/1999 Mier-Langner D26/63
D517,714 S * 3/2006 Monroe et al. D26/65
D552,780 S * 10/2007 Starck D26/63
D564,121 S * 3/2008 Lin D26/64
D567,979 S * 4/2008 Starck D26/63
D574,533 S * 8/2008 Van den Dool D26/66
2005/0078482 A1 * 4/2005 Bartlett 362/285

* cited by examiner

Primary Examiner—Cathron C Brooks

Assistant Examiner—Barbara Fox

(74) *Attorney, Agent, or Firm*—Troxell Law Office, PLLC

(57) **CLAIM**

The ornamental design for an adjustable tracklight, as shown.

DESCRIPTION

FIG. 1 is a front perspective view of an adjustable tracklight showing my new design;

FIG. 2 is a front elevational view thereof;

FIG. 3 is a rear elevational view thereof;

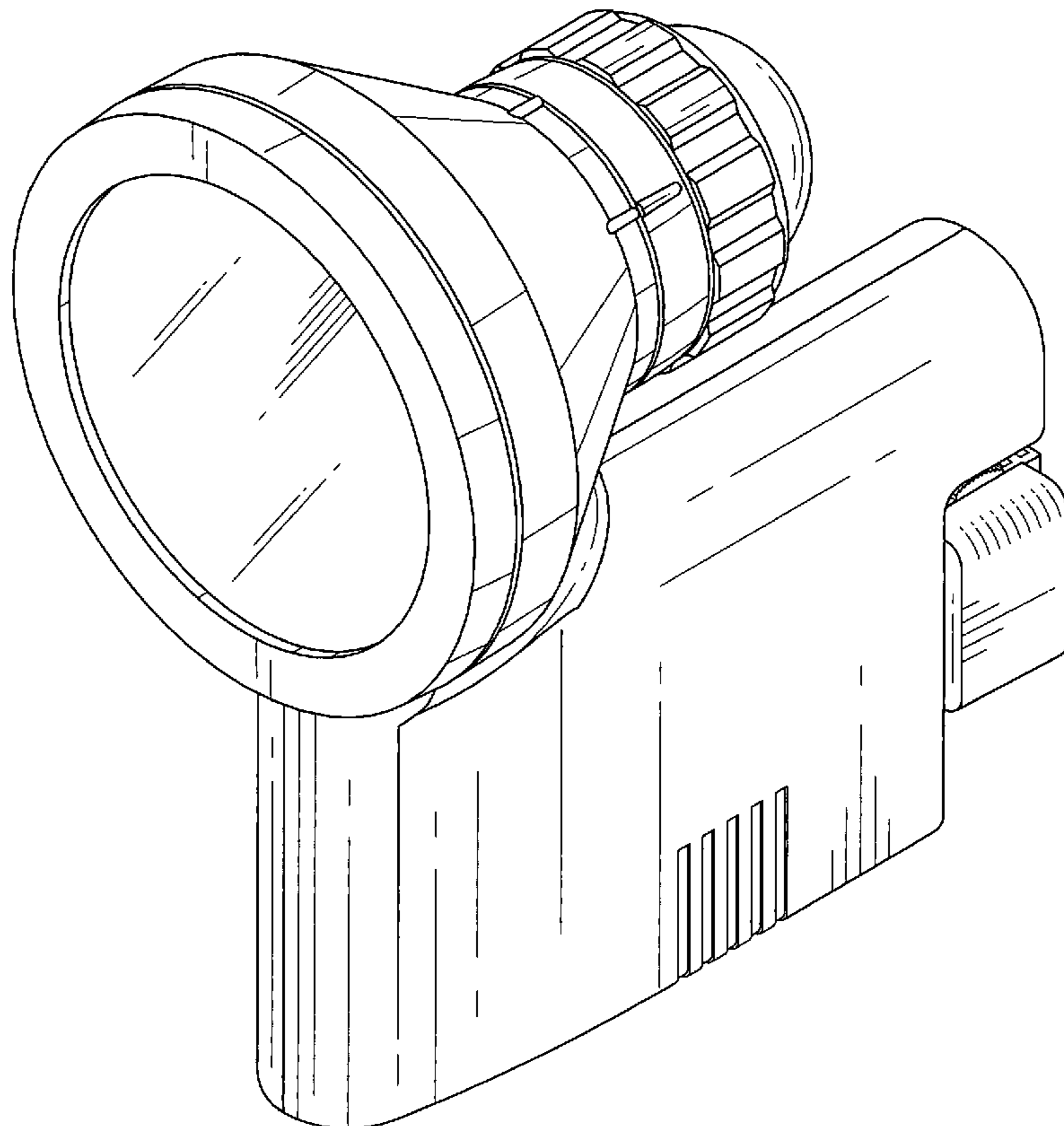
FIG. 4 is a left side elevational view thereof;

FIG. 5 is a right side elevational view thereof;

FIG. 6 is a top plan view thereof; and,

FIG. 7 is a bottom plan view thereof.

1 Claim, 7 Drawing Sheets



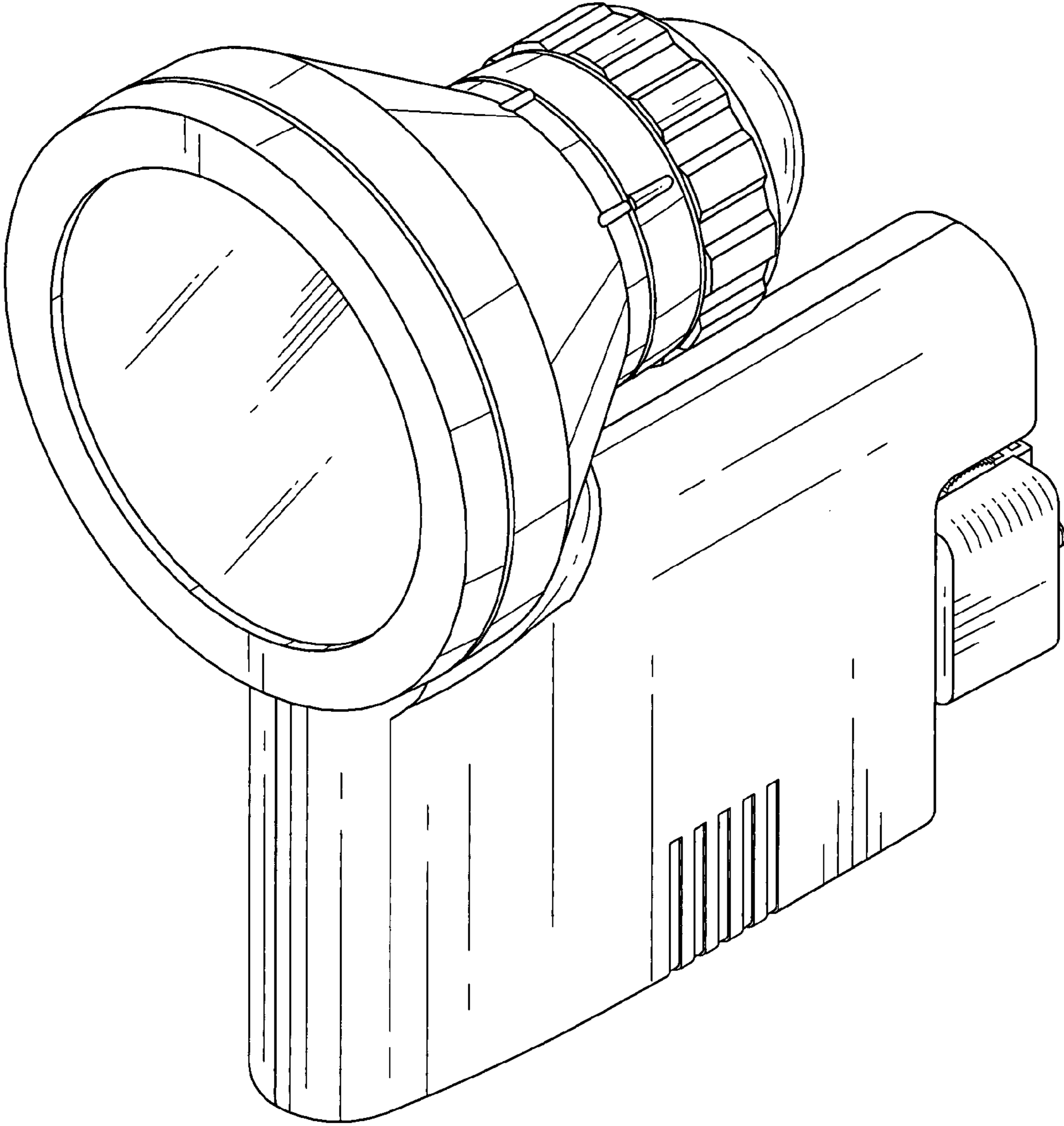


Fig. 1

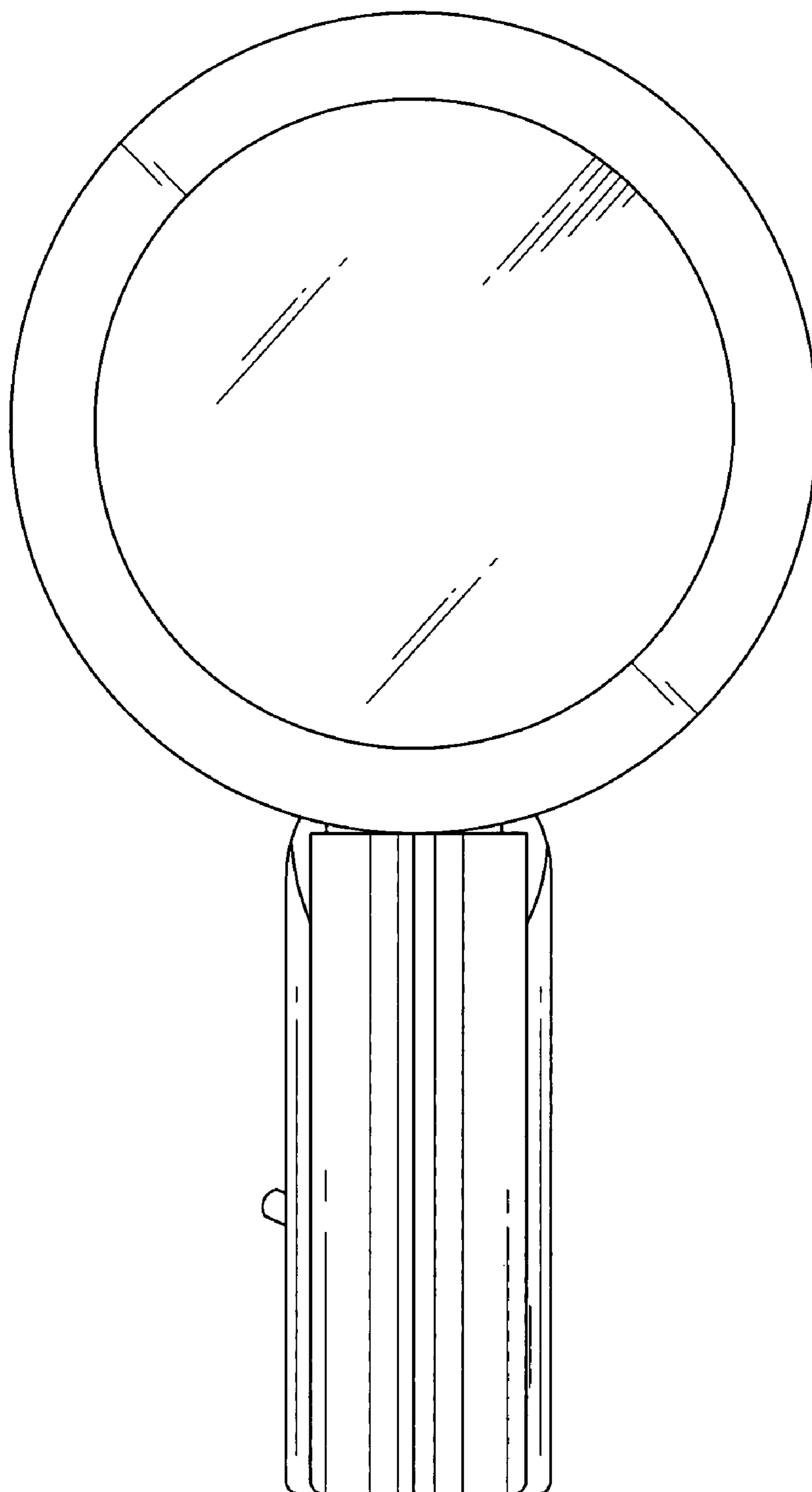


Fig. 2

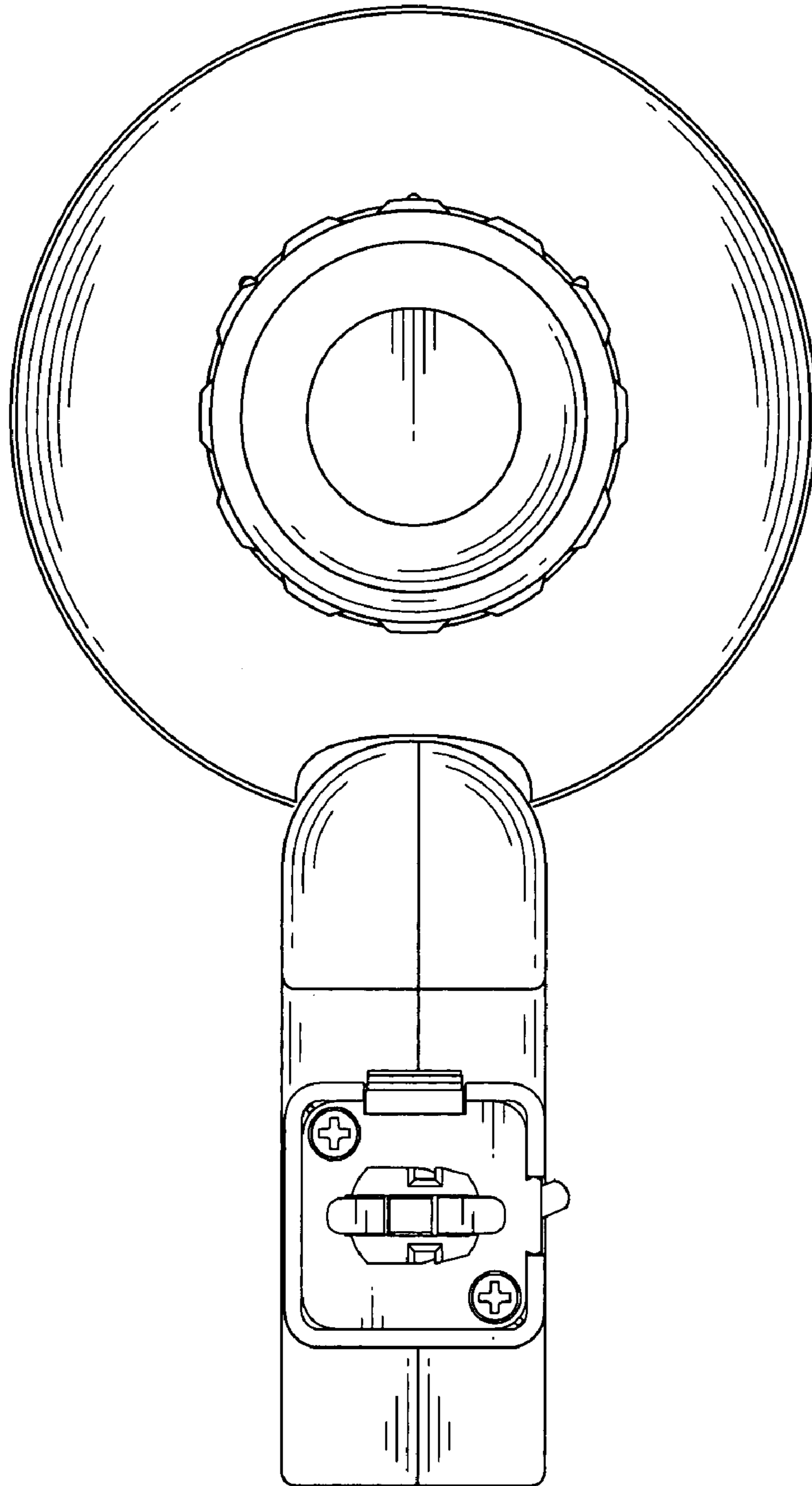


Fig. 3

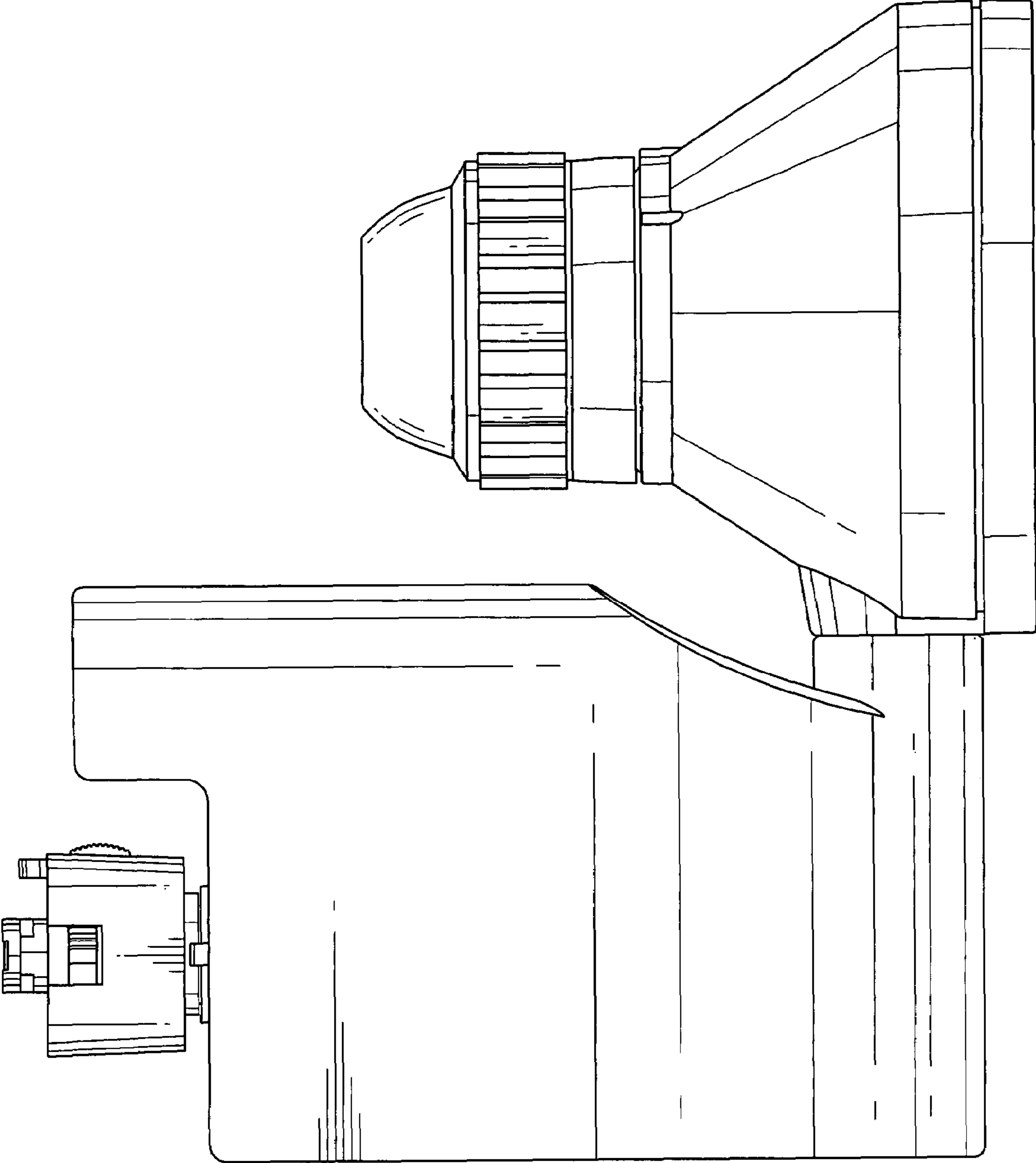


Fig. 4

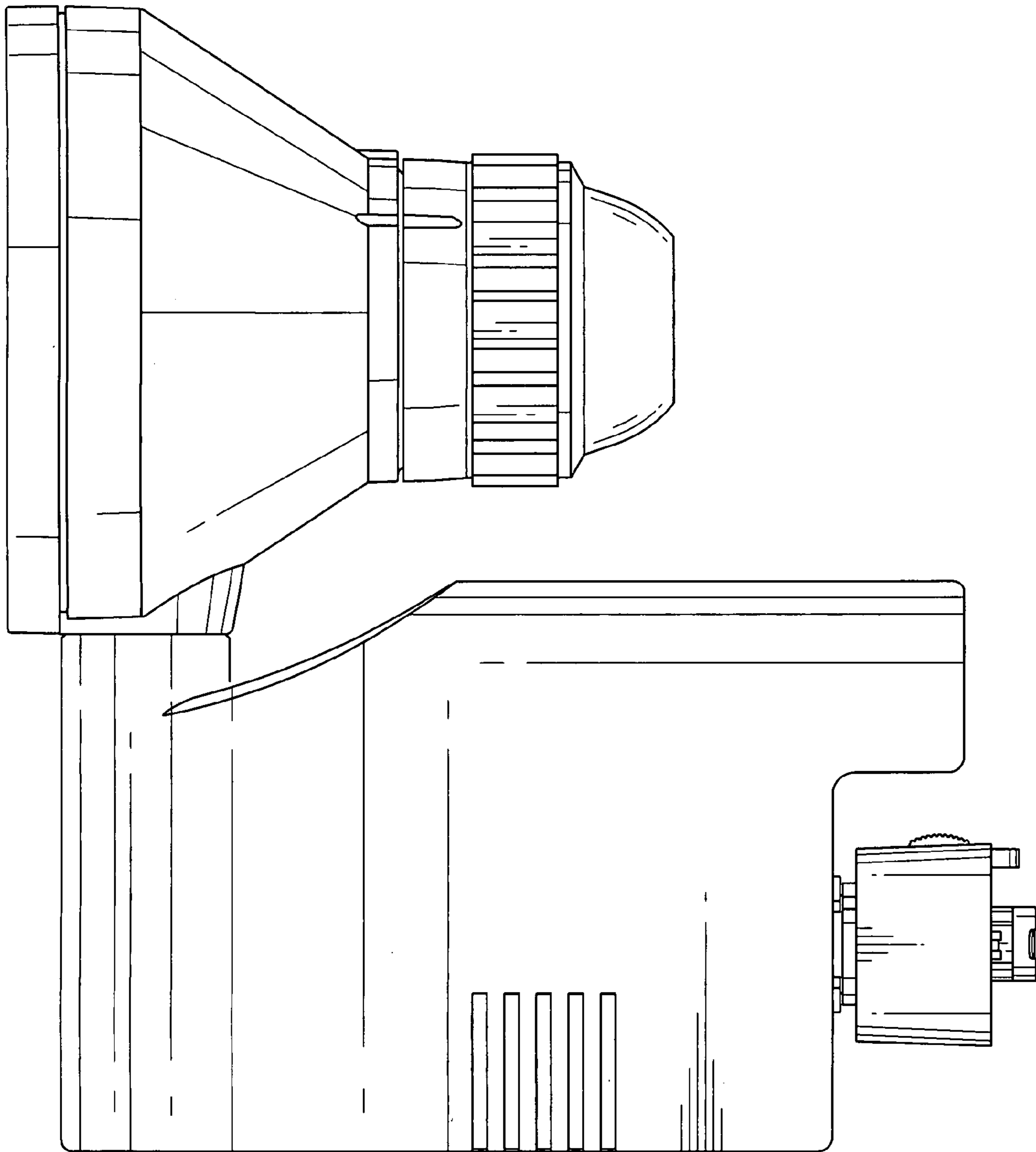


Fig. 5

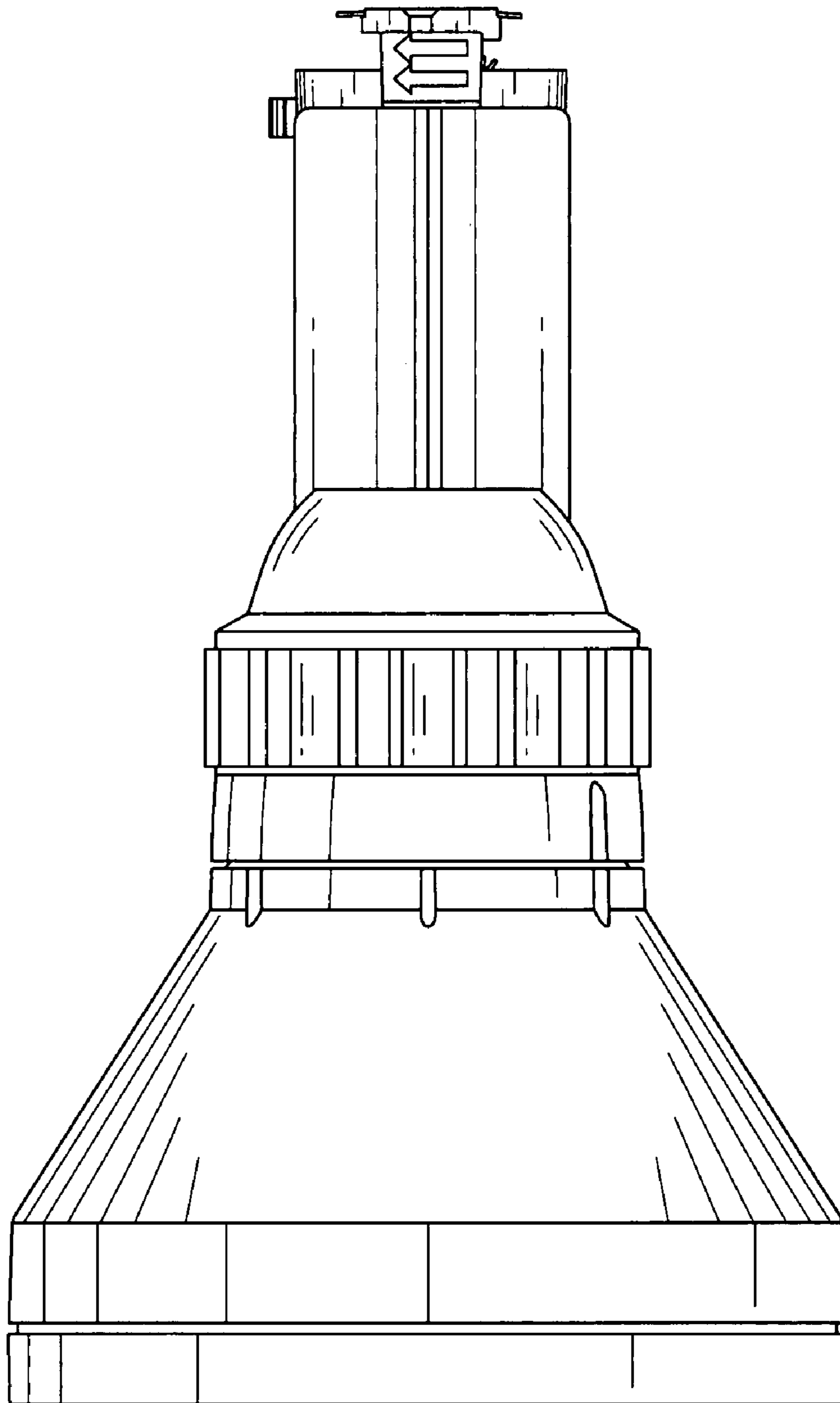


Fig. 6

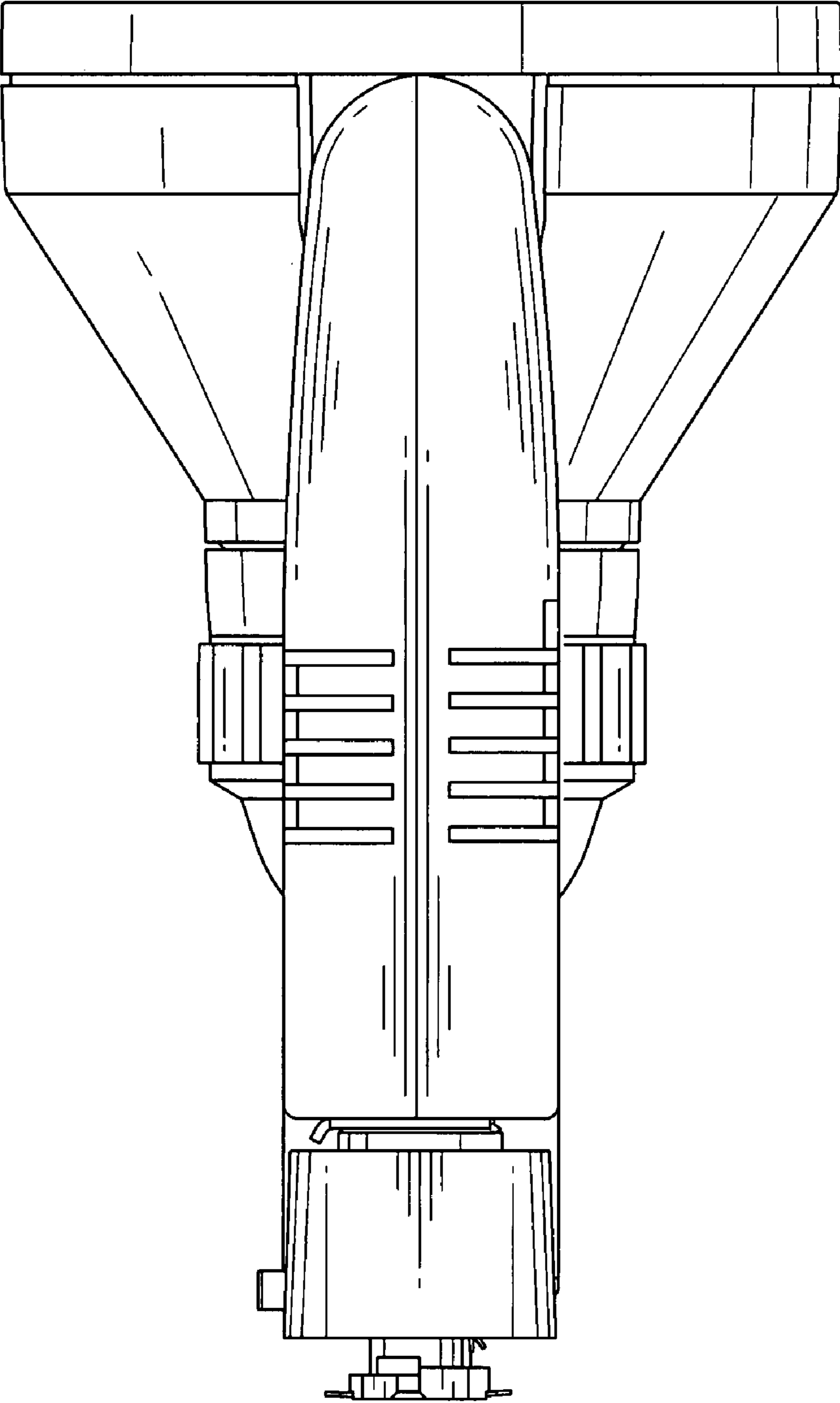


Fig. 7