



US00D582087S

(12) **United States Design Patent**
Su

(10) **Patent No.:** **US D582,087 S**
(45) **Date of Patent:** **** Dec. 2, 2008**

(54) **TABLE LAMP**

D555,273 S * 11/2007 Huang D26/63
D556,356 S * 11/2007 Chen D26/65
D559,421 S * 1/2008 Osiecki et al. D26/63

(75) Inventor: **Chia-Ho Su**, Taipei Hsien (TW)

* cited by examiner

(73) Assignee: **De Licht Co., Ltd.**, Taipei Hsien (TW)

Primary Examiner—Cathron C Brooks
Assistant Examiner—Barbara Fox

(**) Term: **14 Years**

(21) Appl. No.: **29/303,216**

(57) **CLAIM**

(22) Filed: **Feb. 2, 2008**

The ornamental design for table lamp, as shown and described.

(51) **LOC (8) Cl.** **26-05**

(52) **U.S. Cl.** **D26/63**

(58) **Field of Classification Search** D26/14,
D26/60-66, 93; 362/410, 413, 414, 419,
362/427, 285, 287, 282, 277, 275, 274, 271,
362/270, 269, 431

DESCRIPTION

See application file for complete search history.

FIG. 1 is a perspective view of table lamp showing my new design;

FIG. 2 is a front elevational view thereof;

FIG. 3 is a rear elevational view thereof;

FIG. 4 is a left elevational view thereof;

FIG. 5 is a right elevational view thereof;

FIG. 6 is a top view thereof; and,

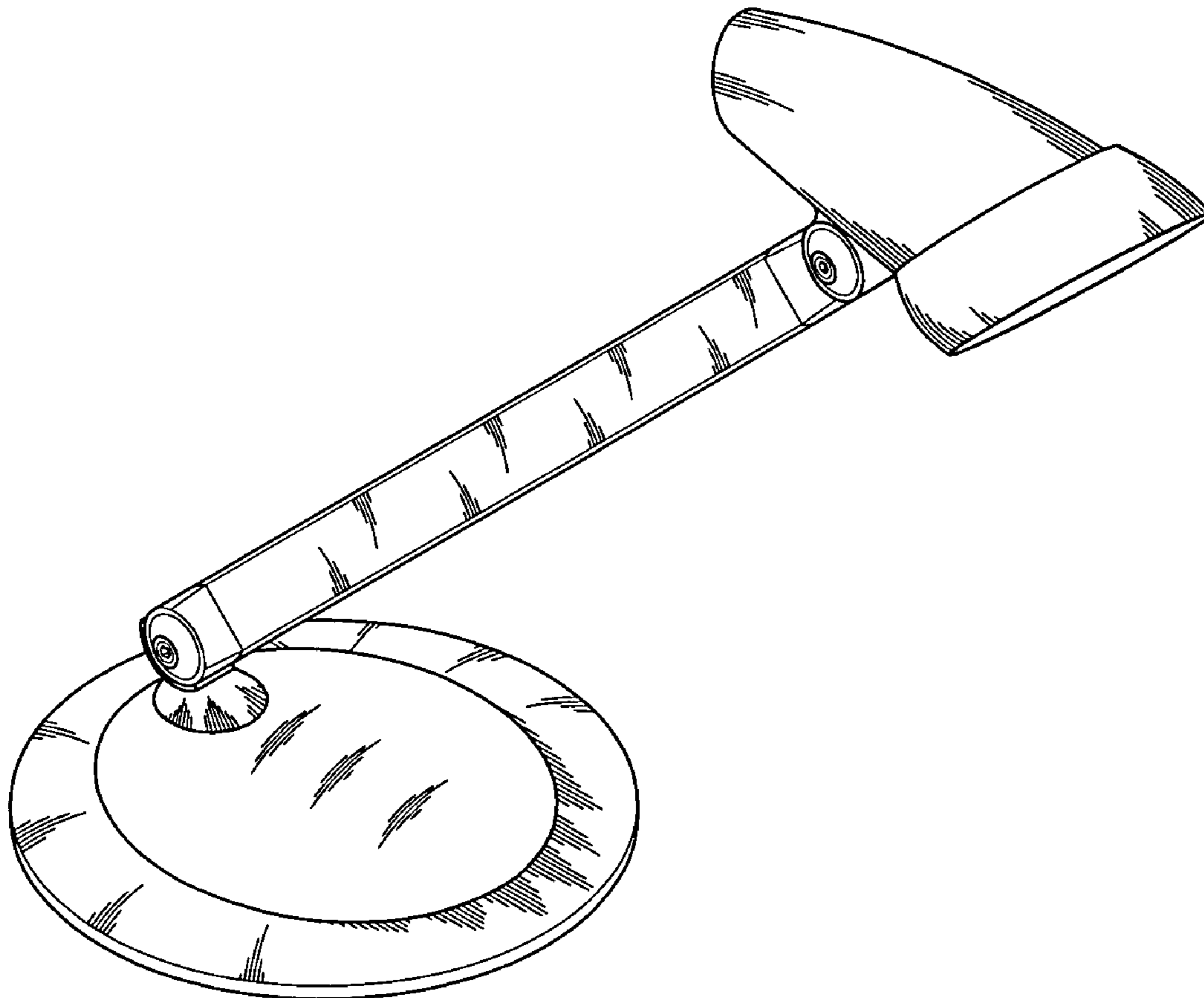
FIG. 7 is a bottom view.

(56) **References Cited**

U.S. PATENT DOCUMENTS

D327,544 S * 6/1992 Orozco D26/65
D385,646 S * 10/1997 Chan D26/107
D394,913 S * 6/1998 Chan D26/65
D527,132 S * 8/2006 Citterio D26/65

1 Claim, 7 Drawing Sheets



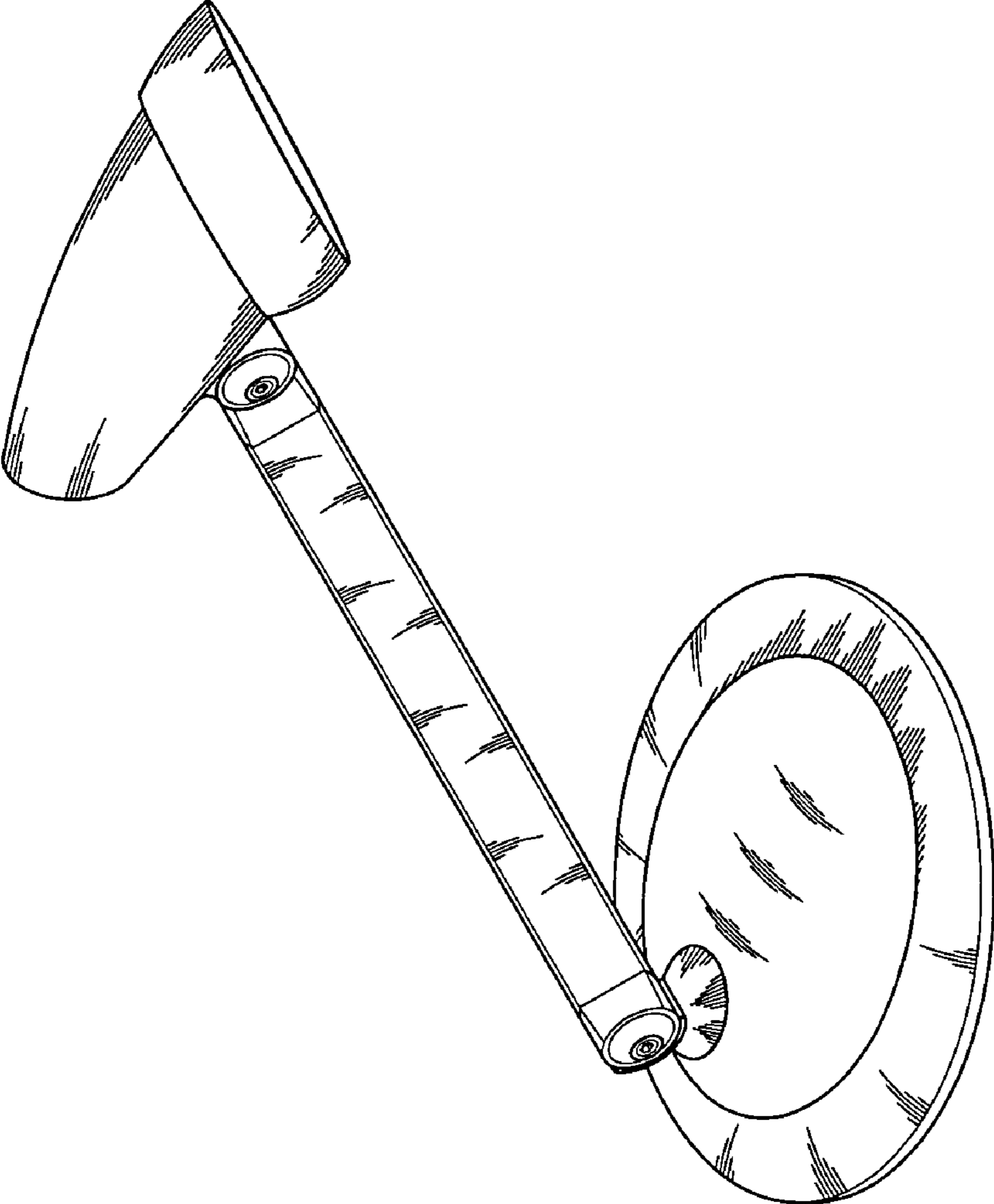


FIG. 1

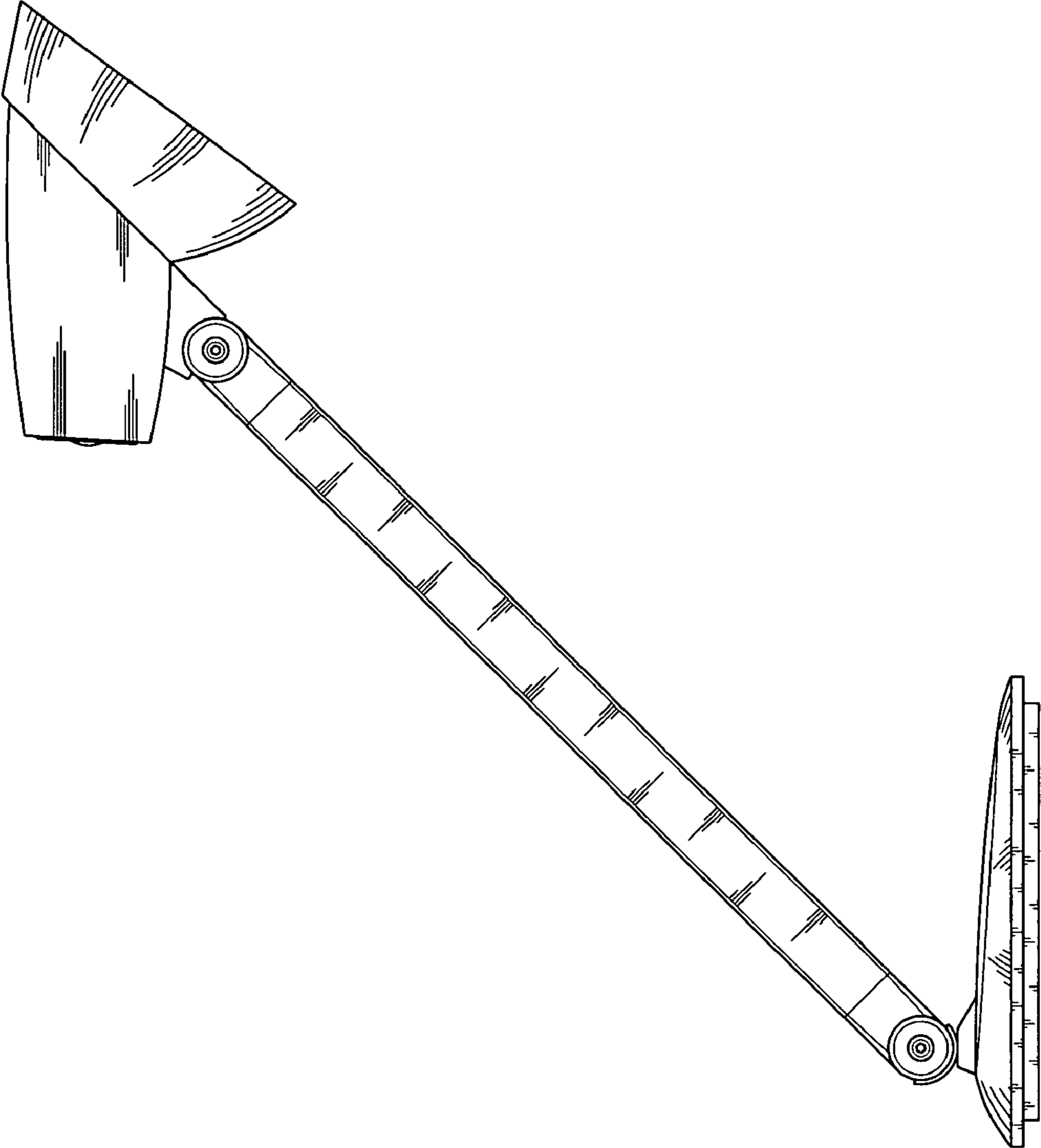


FIG. 2

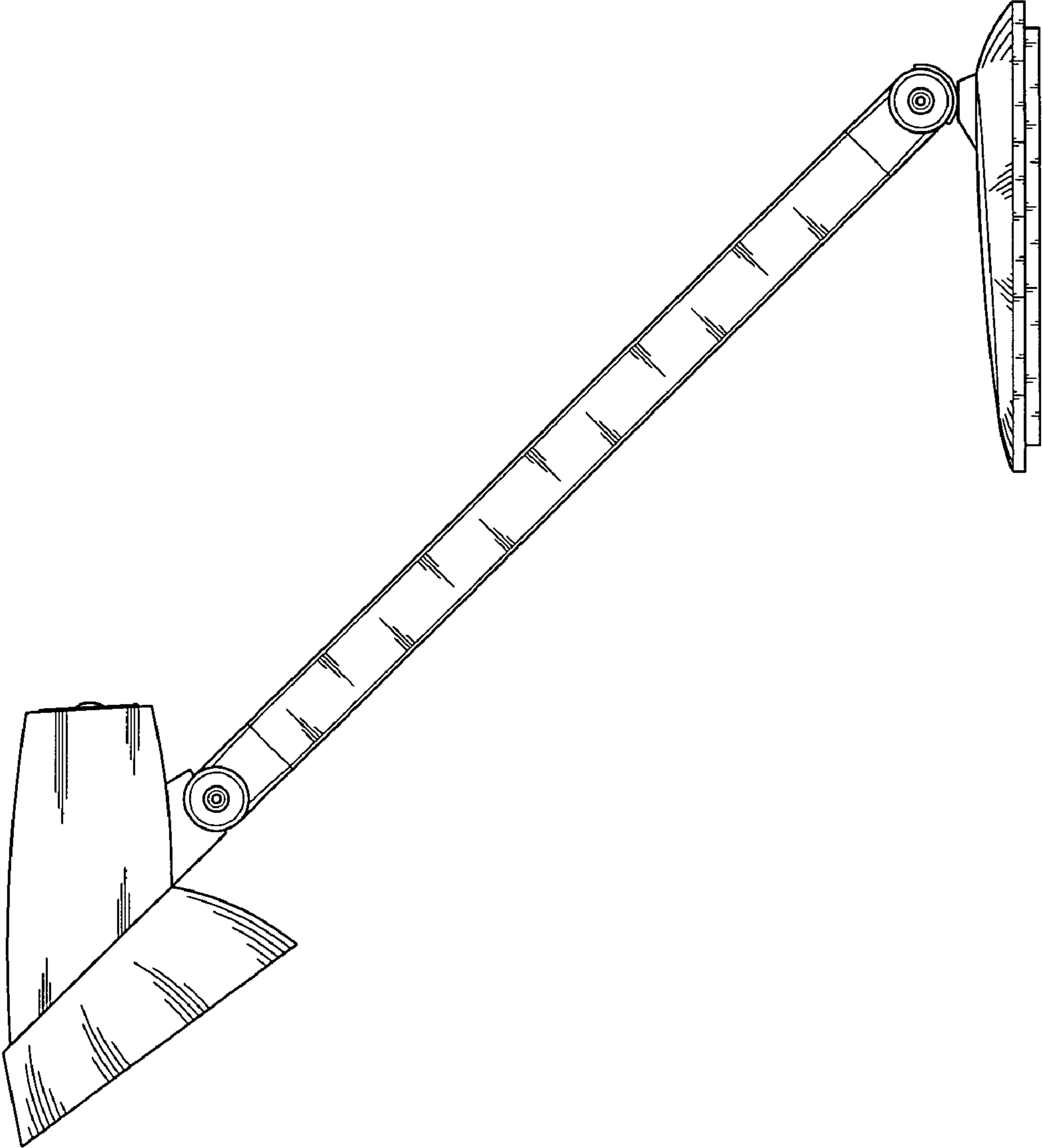


FIG. 3

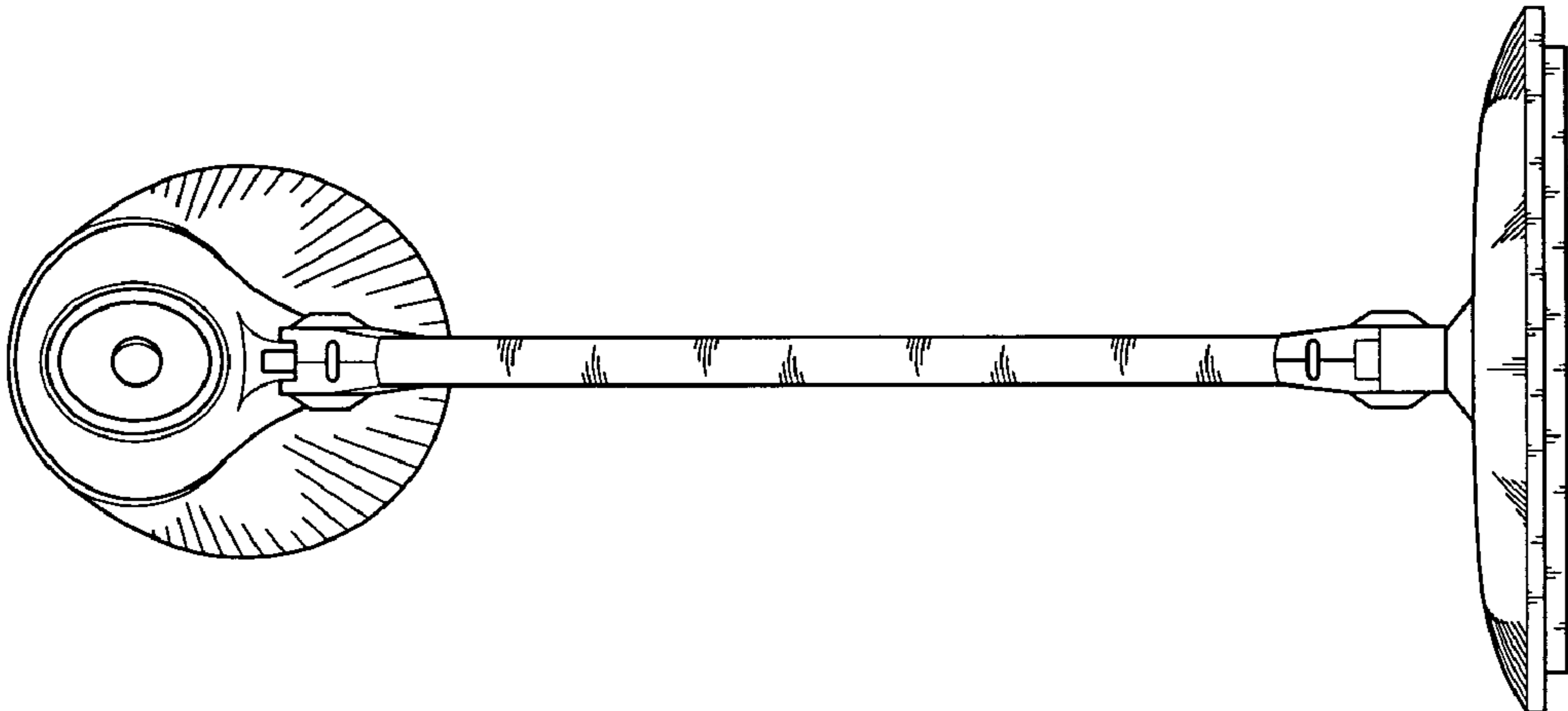


FIG. 4

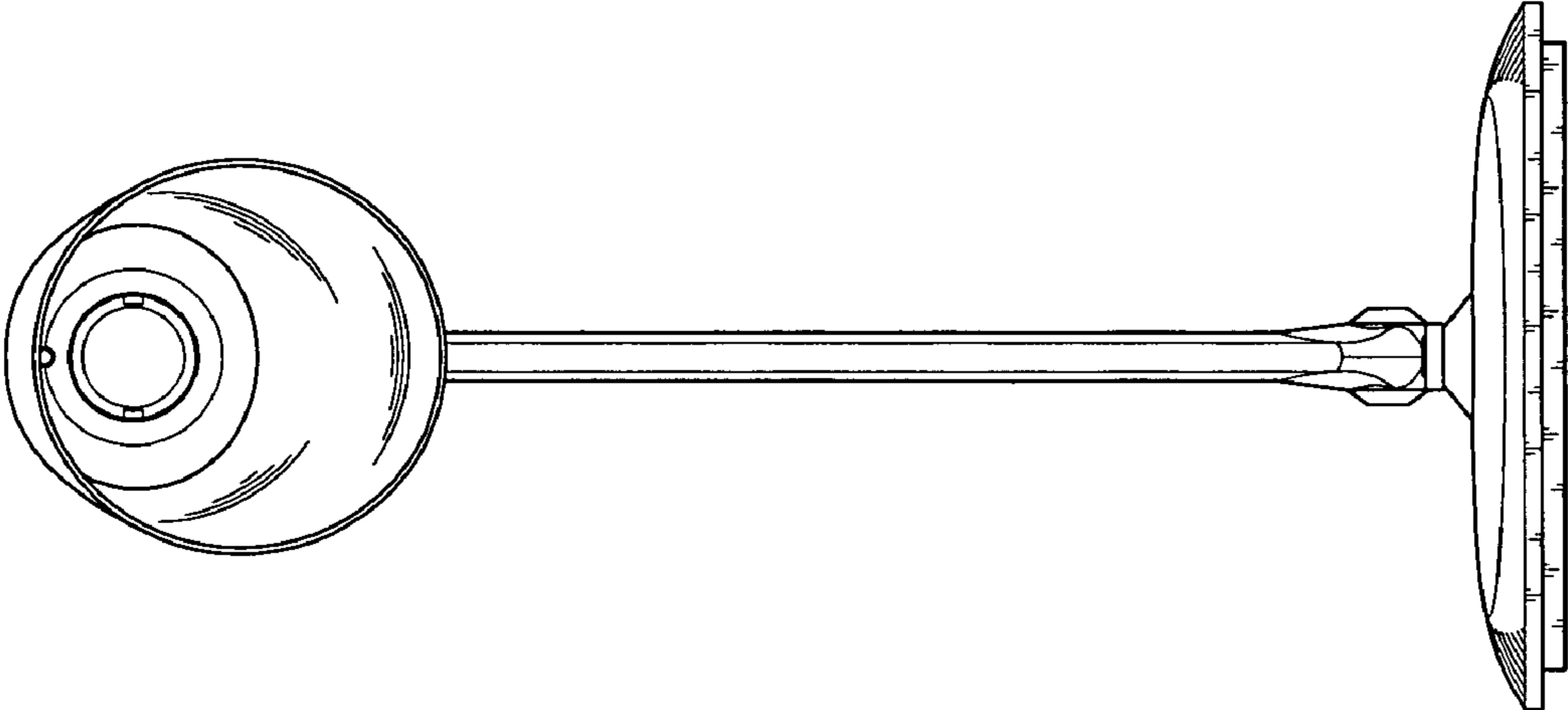


FIG. 5

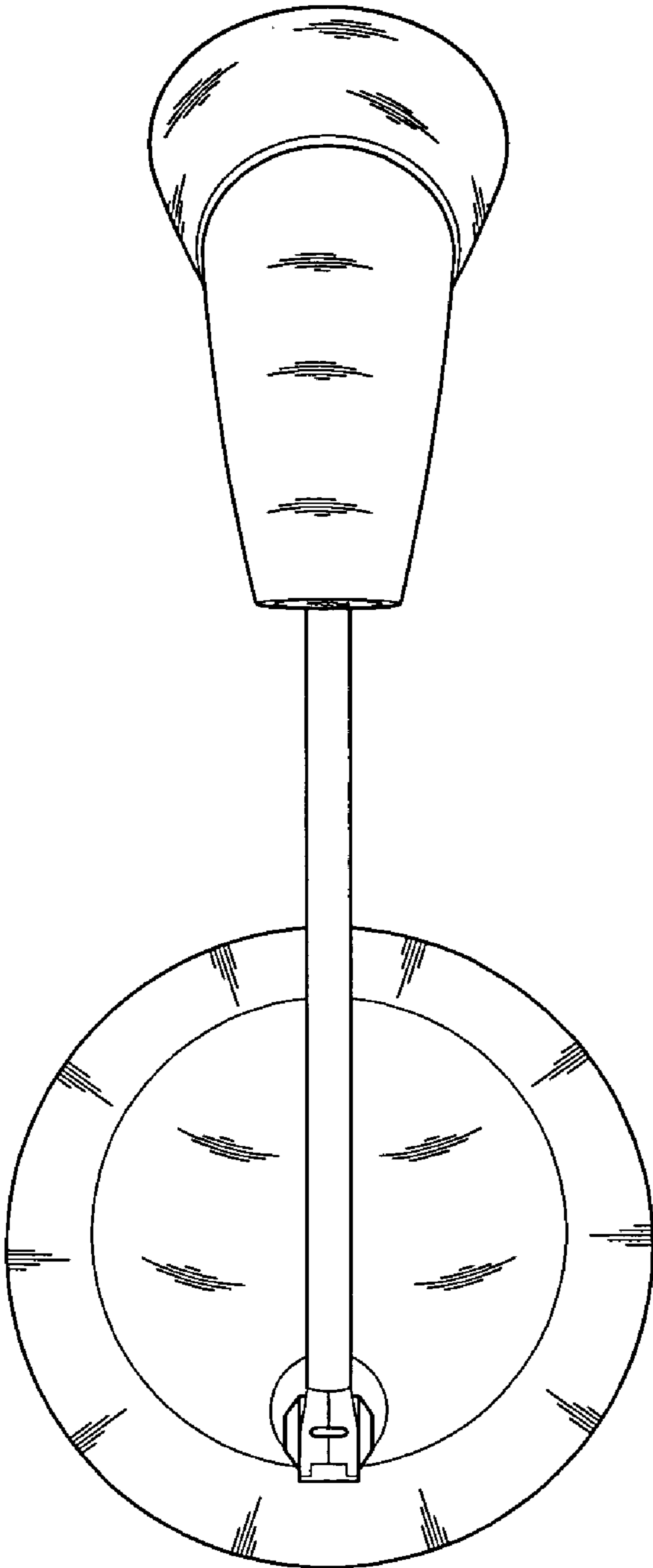


FIG. 6

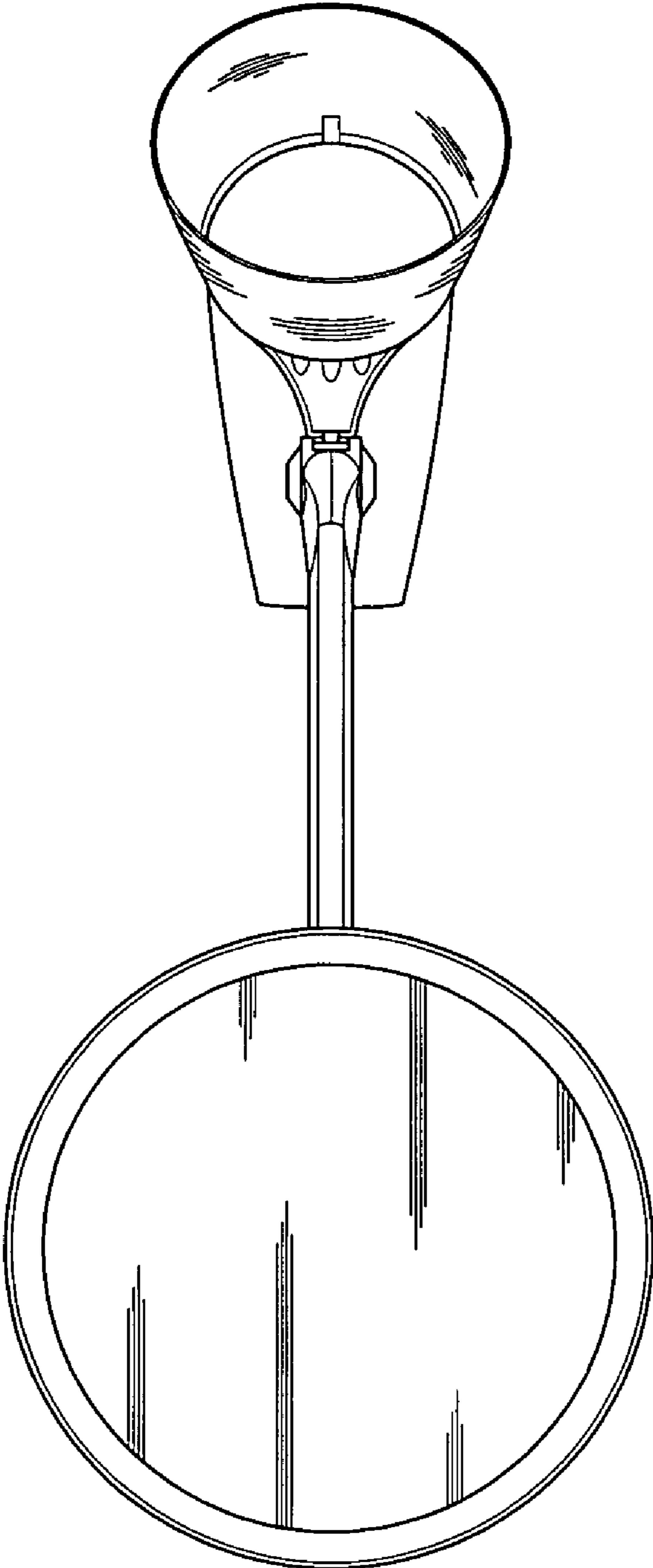


FIG. 7