



US00D582086S

(12) **United States Design Patent**
Li

(10) **Patent No.:** **US D582,086 S**
(45) **Date of Patent:** **** Dec. 2, 2008**

(54) **SPOTLIGHT**

(76) Inventor: **Shen Jian Li**, Industrial Park, Simen,
Yuyao City, Zhejiang Province (CN)

(**) Term: **14 Years**

(21) Appl. No.: **29/250,182**

(22) Filed: **Nov. 6, 2006**

(51) **LOC (8) Cl.** **26-02**

(52) **U.S. Cl.** **D26/45**

(58) **Field of Classification Search** D26/37,
D26/38, 40, 41, 45, 46, 48, 49, 50, 52, 61,
D26/67, 85, 93, 119, 133, 63, 134; 362/183,
362/186, 158, 157, 325, 354, 457, 458
See application file for complete search history.

(56) **References Cited**

U.S. PATENT DOCUMENTS

D434,513 S *	11/2000	Poon	D26/45
D466,637 S *	12/2002	Gisser	D26/45
D504,533 S *	4/2005	Hussaini et al.	D26/45
D504,969 S *	5/2005	Hussaini et al.	D26/45
D518,214 S *	3/2006	Krieger et al.	D26/45

D525,735 S * 7/2006 Krieger et al. D26/45

* cited by examiner

Primary Examiner—Ian Simmons

Assistant Examiner—Carissa C Fitts

(74) *Attorney, Agent, or Firm*—Global IP Services; Tianhua Gu

(57) **CLAIM**

The ornamental design for a spotlight, as shown and described.

DESCRIPTION

FIG. 1 is a perspective view of a spotlight showing my new design;

FIG. 2 is a front view thereof;

FIG. 3 is a back view thereof;

FIG. 4 is a left side view thereof;

FIG. 5 is a right side view thereof;

FIG. 6 is a top view thereof; and,

FIG. 7 is a bottom view thereof.

1 Claim, 7 Drawing Sheets





Fig. 1



Fig. 2



Fig. 3

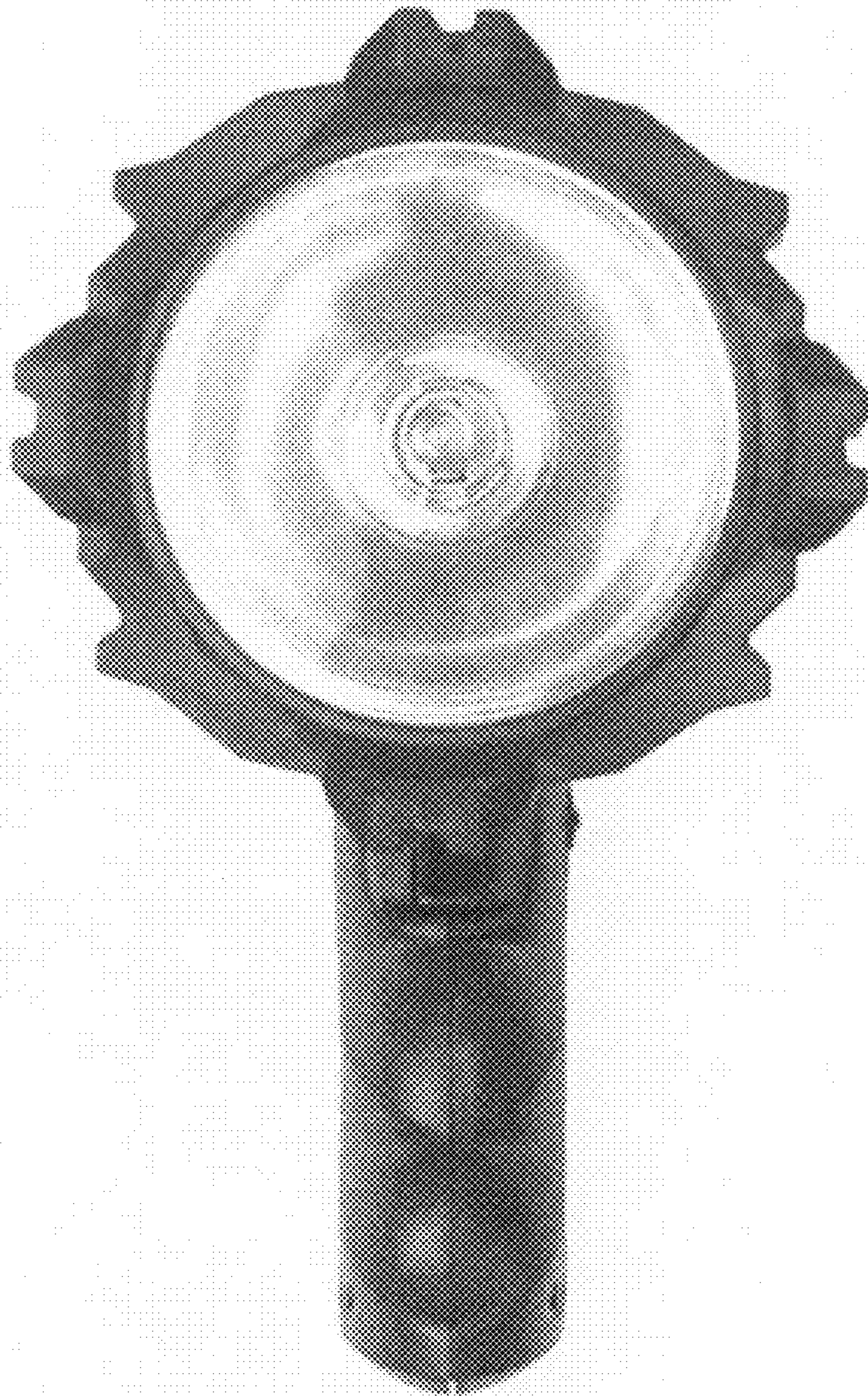


Fig. 4

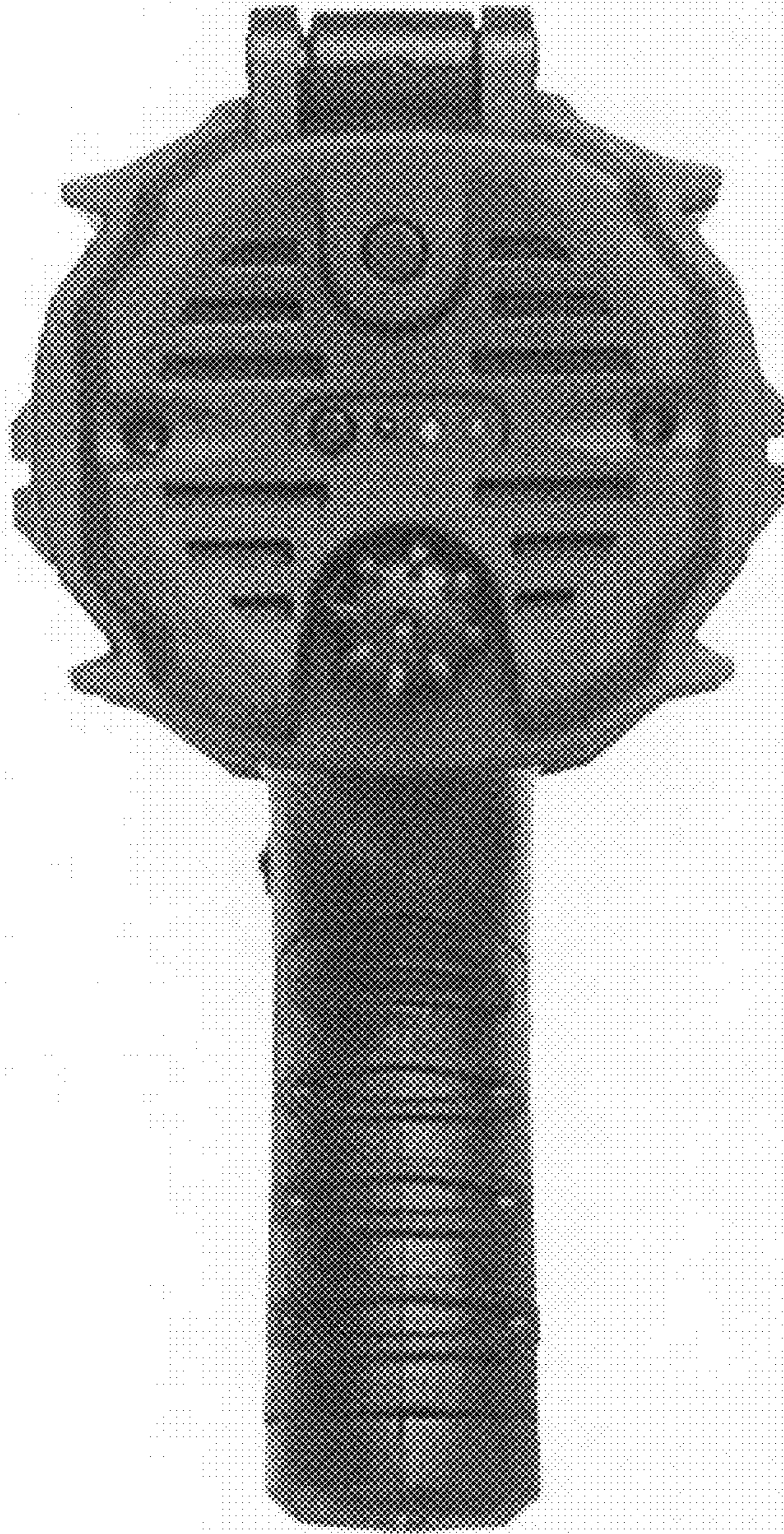


Fig. 5

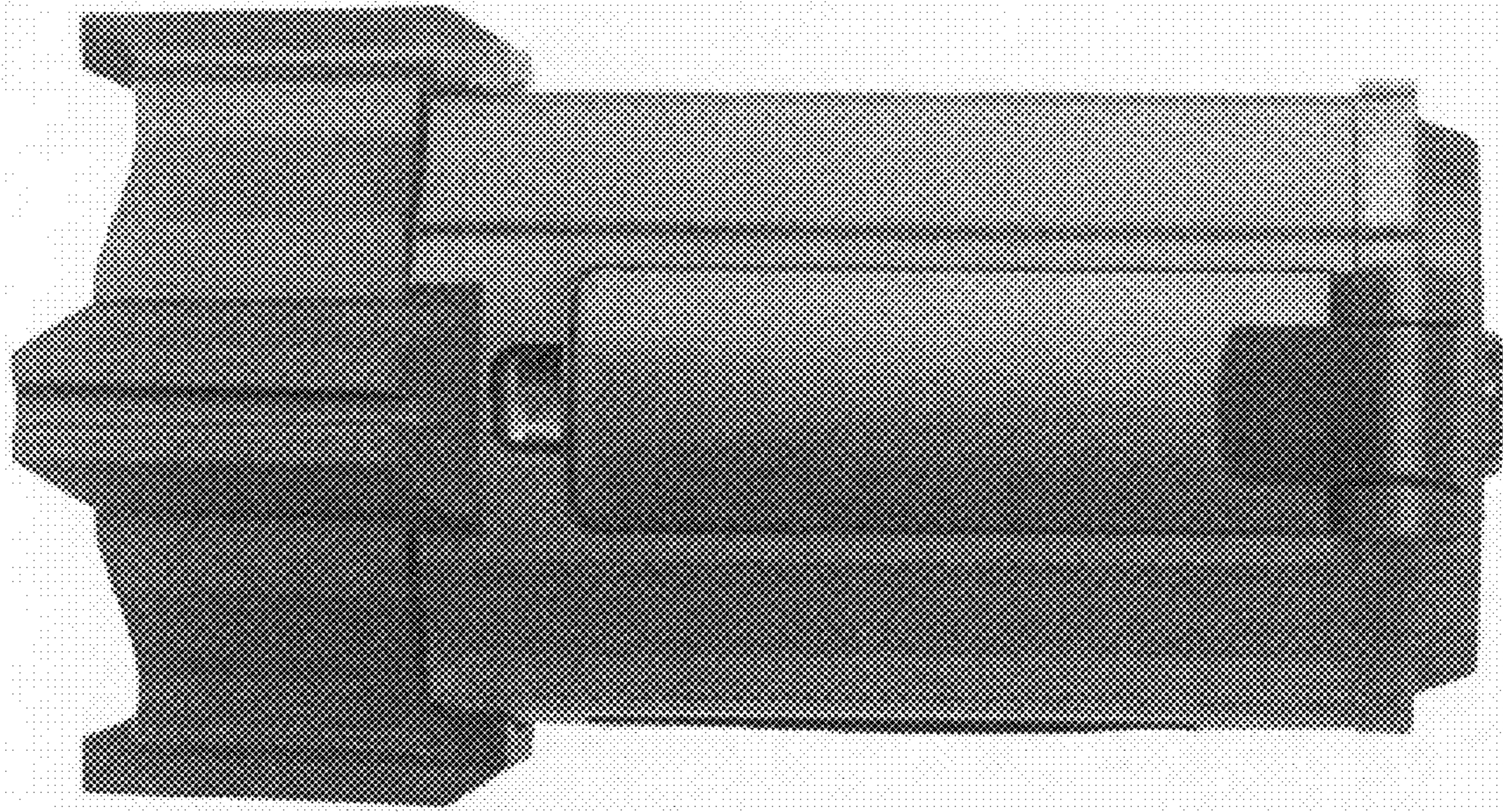


Fig. 6

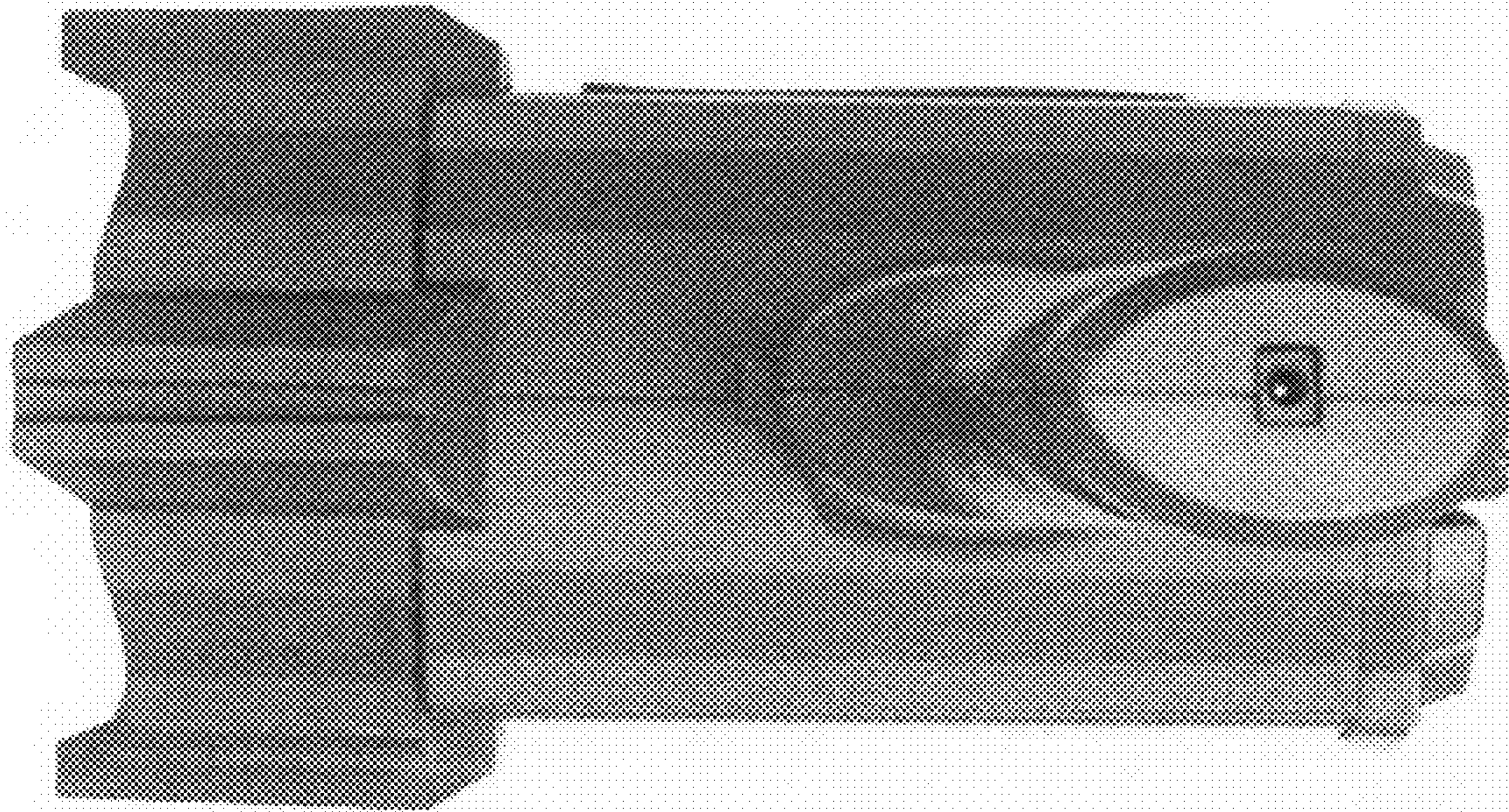


Fig. 7