



US00D582082S

(12) **United States Design Patent**
Yang

(10) **Patent No.:** **US D582,082 S**

(45) **Date of Patent:** **** Dec. 2, 2008**

(54) **AUTOMOTIVE LAMP**

(76) **Inventor:** **Hsiu Pen Yang**, No. 427 Sec. 2, Wenhua Rd., Panchiao, Taipei (TW)

(**) **Term:** **14 Years**

(21) **Appl. No.:** **29/308,585**

(22) **Filed:** **Jun. 24, 2008**

(51) **LOC (8) Cl.** **26-06**

(52) **U.S. Cl.** **D26/28**

(58) **Field of Classification Search** D26/28-36;
362/459-468, 475-478, 485-487
See application file for complete search history.

(56) **References Cited**

U.S. PATENT DOCUMENTS

D561,358 S	*	2/2008	Tachibana	D26/28
D563,576 S	*	3/2008	Hanaoka	D26/28
D570,007 S	*	5/2008	Hsu	D26/28

* cited by examiner

Primary Examiner—Marcus A. Jackson

(74) *Attorney, Agent, or Firm*—Law Offices of Roger C. Hsu; Charles R. Sutton

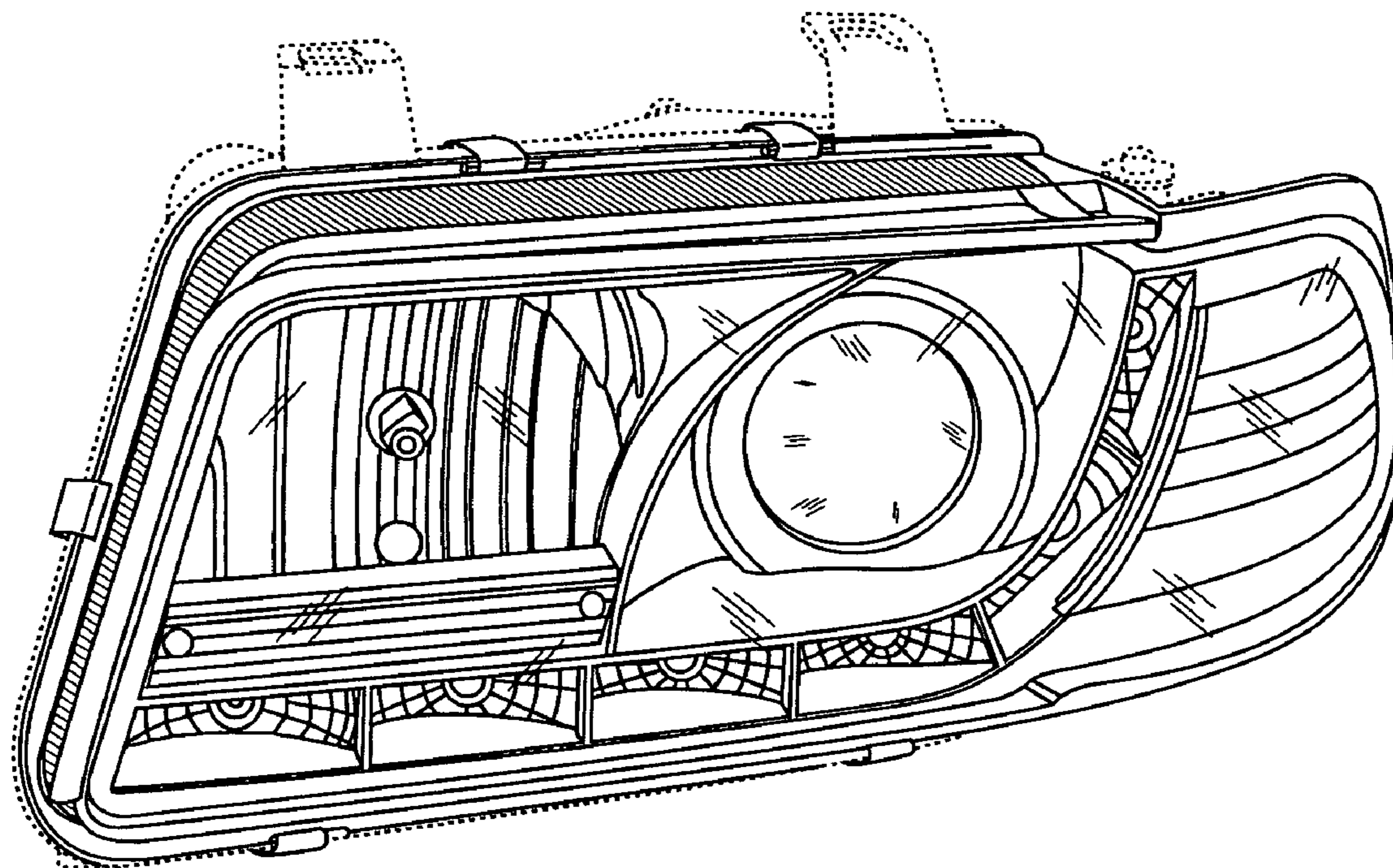
(57) **CLAIM**

I claim the ornamental design for the automotive lamp, as shown.

DESCRIPTION

FIG. 1 shows a perspective view of the invention.
FIG. 2 shows the first side of the invention.
FIG. 3 shows the second side of the invention.
FIG. 4 shows the third side of the invention.
FIG. 5 shows the fourth side of the invention; and,
FIG. 6 shows the fifth side of the invention.
(The sixth side is not visible in its normal and intended use.)

1 Claim, 4 Drawing Sheets



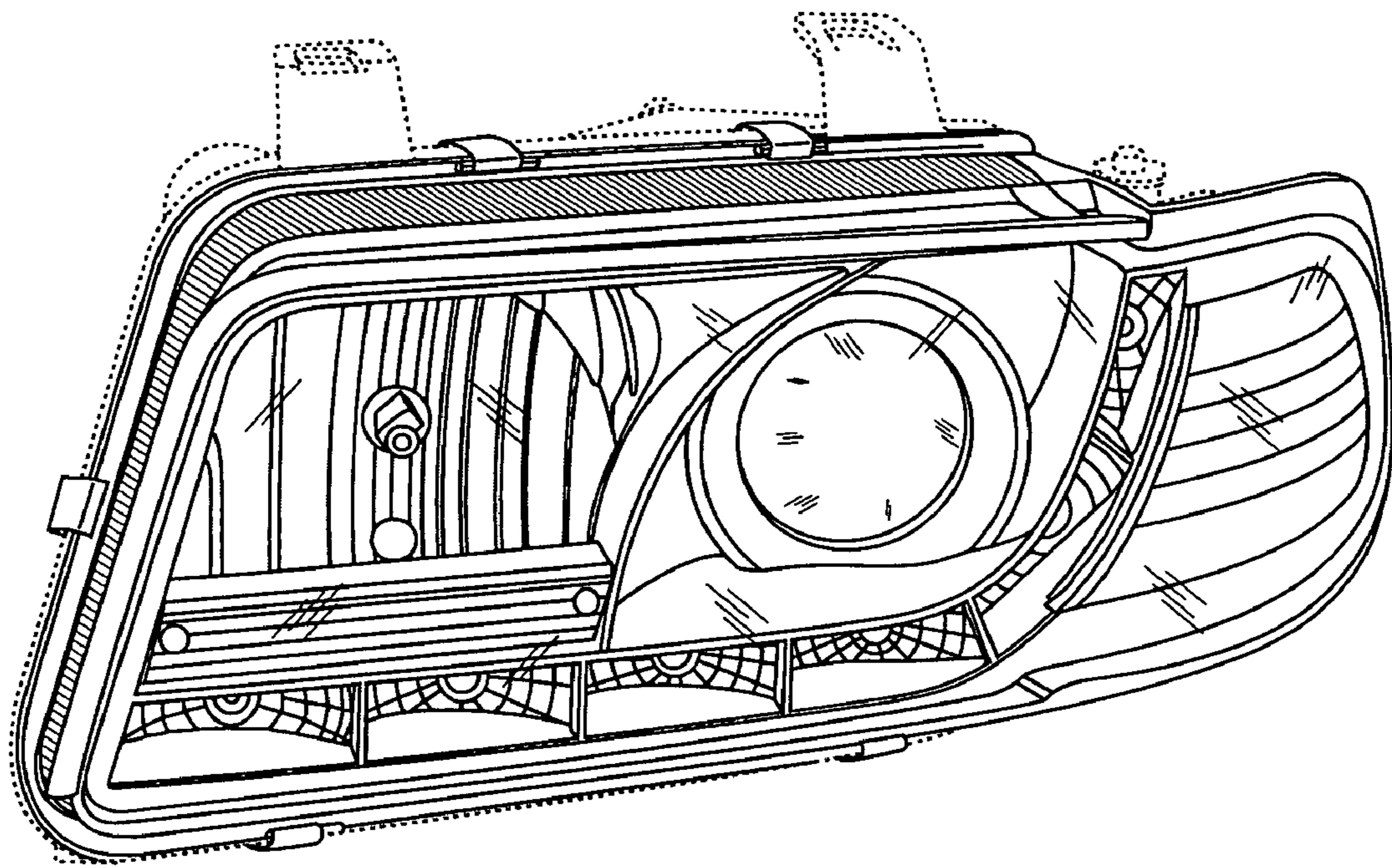


FIG. 1

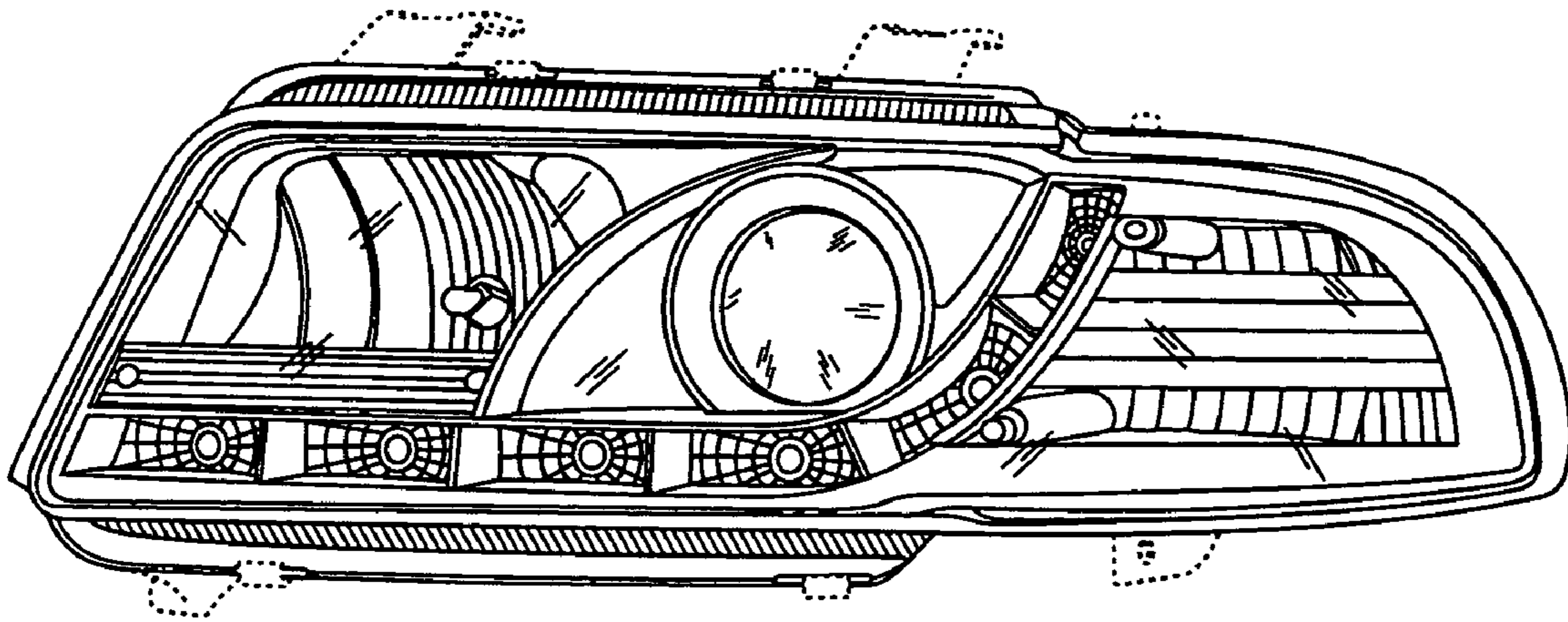


FIG.2

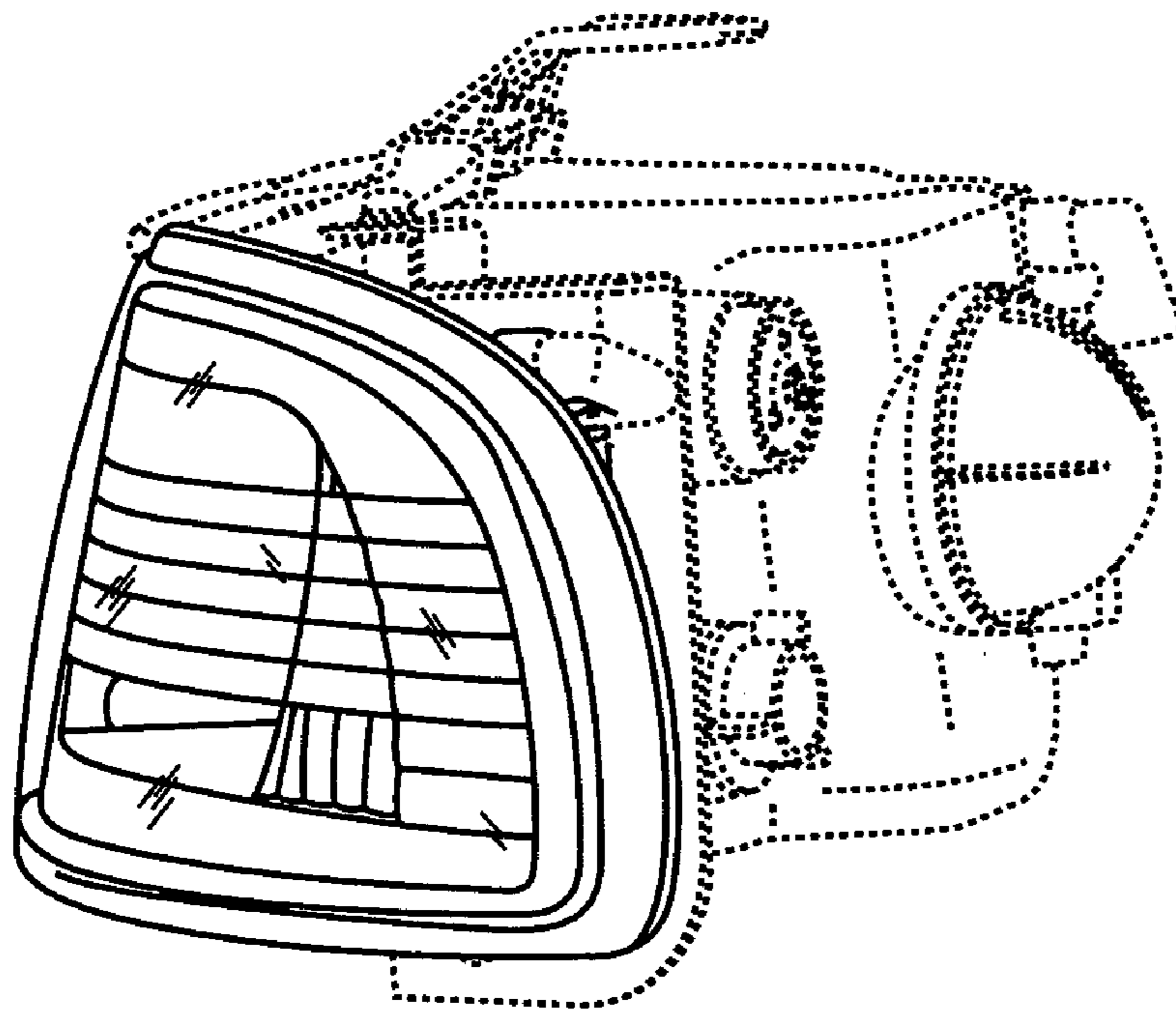


FIG. 3

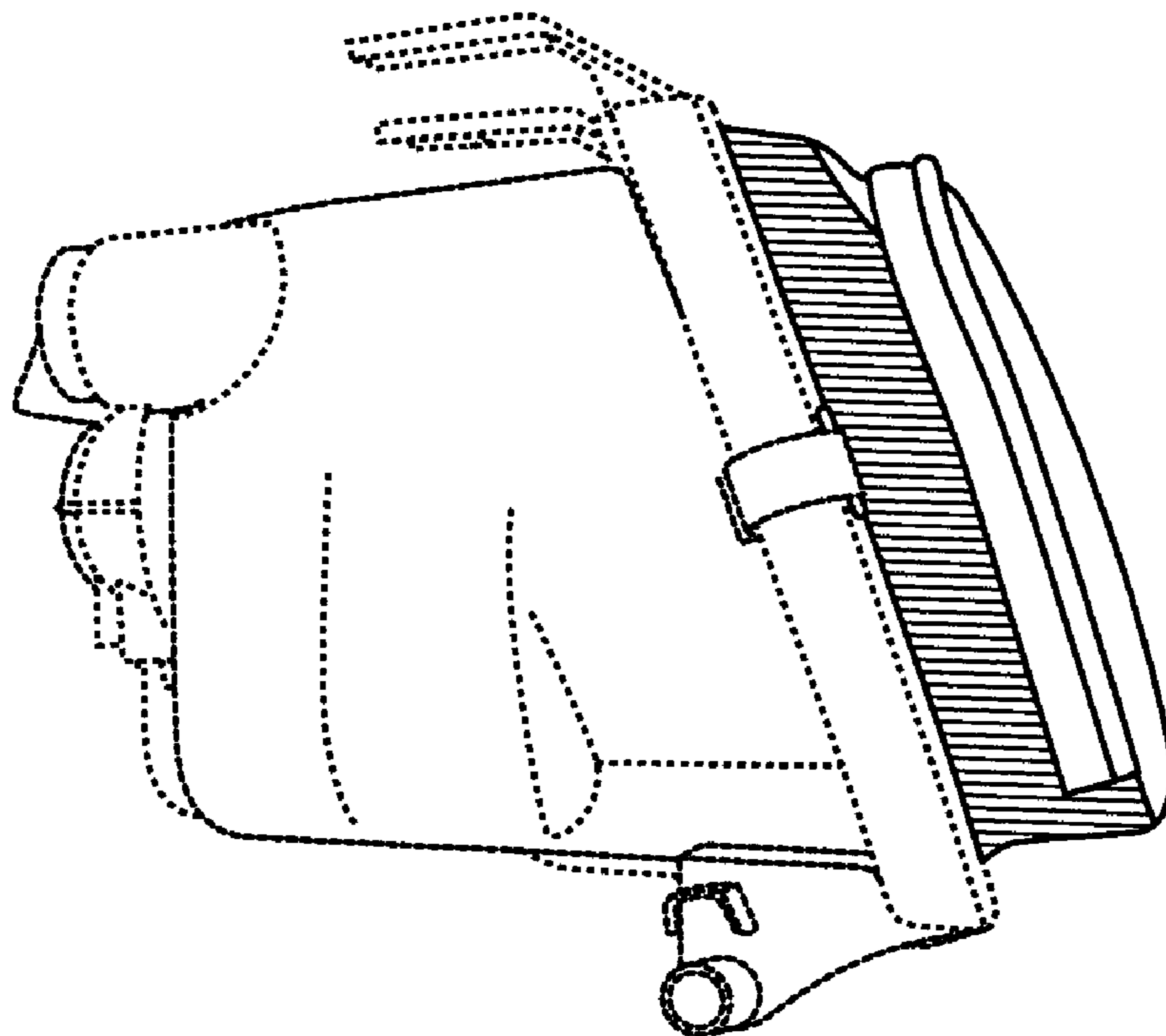


FIG. 4

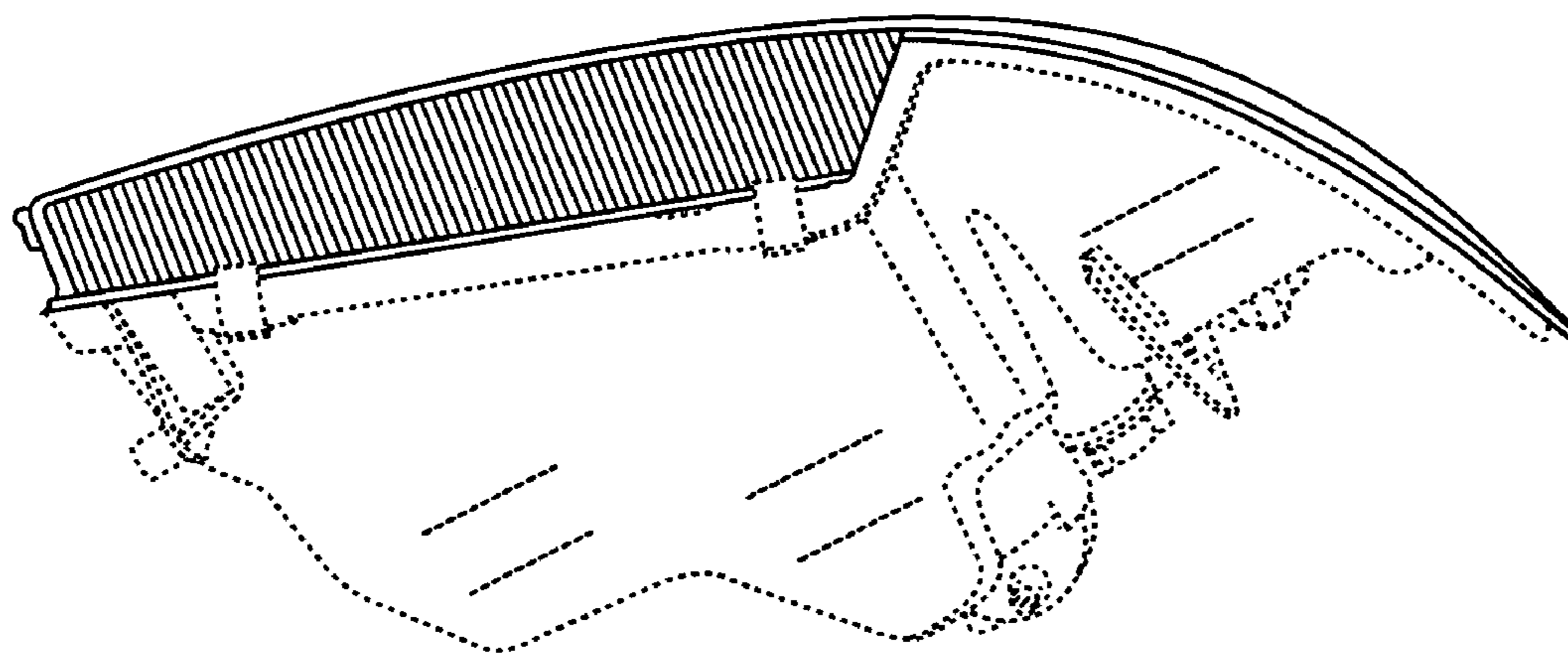


FIG. 5

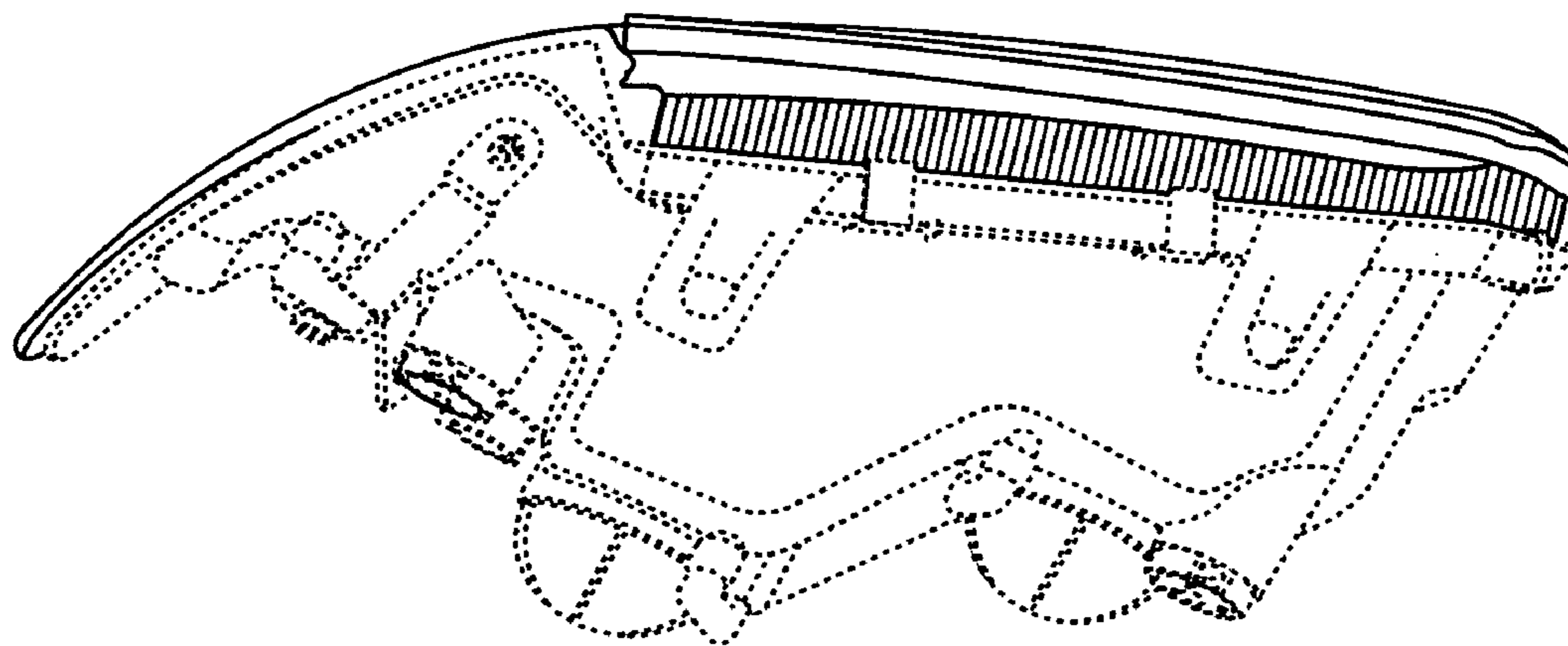


FIG. 6