



US00D582079S

(12) **United States Design Patent**
Yang

(10) **Patent No.:** **US D582,079 S**
(45) **Date of Patent:** **** Dec. 2, 2008**

(54) **AUTOMOBILE LAMP**

(76) Inventor: **Hsiu Pen Yang**, No. 427 Sec. 2, Wenhua Road, Panchiao, Taipei (TW)

(**) Term: **14 Years**

(21) Appl. No.: **29/308,111**

(22) Filed: **May 27, 2008**

(51) **LOC (8) Cl.** **26-06**

(52) **U.S. Cl.** **D26/28**

(58) **Field of Classification Search** D26/28-36;
362/459-468, 475-478, 485-487
See application file for complete search history.

(56) **References Cited**

U.S. PATENT DOCUMENTS

- D560,291 S * 1/2008 Koyama D26/28
- D561,358 S * 2/2008 Tachibana D26/28
- D561,359 S * 2/2008 Hsu D26/28

* cited by examiner

Primary Examiner—Marcus A. Jackson
(74) *Attorney, Agent, or Firm*—Law Offices of Roger C. Hsu; Charles R. Sutton

(57) **CLAIM**

The ornamental design for an automobile lamp, as shown and described.

DESCRIPTION

FIG. 1 is a perspective view of an automobile lamp showing my new design, with the broken line showing for illustrative purposes only and forming no part of the claimed design;

FIG. 2 is a front elevational view thereof;

FIG. 3 is a left side elevational view thereof;

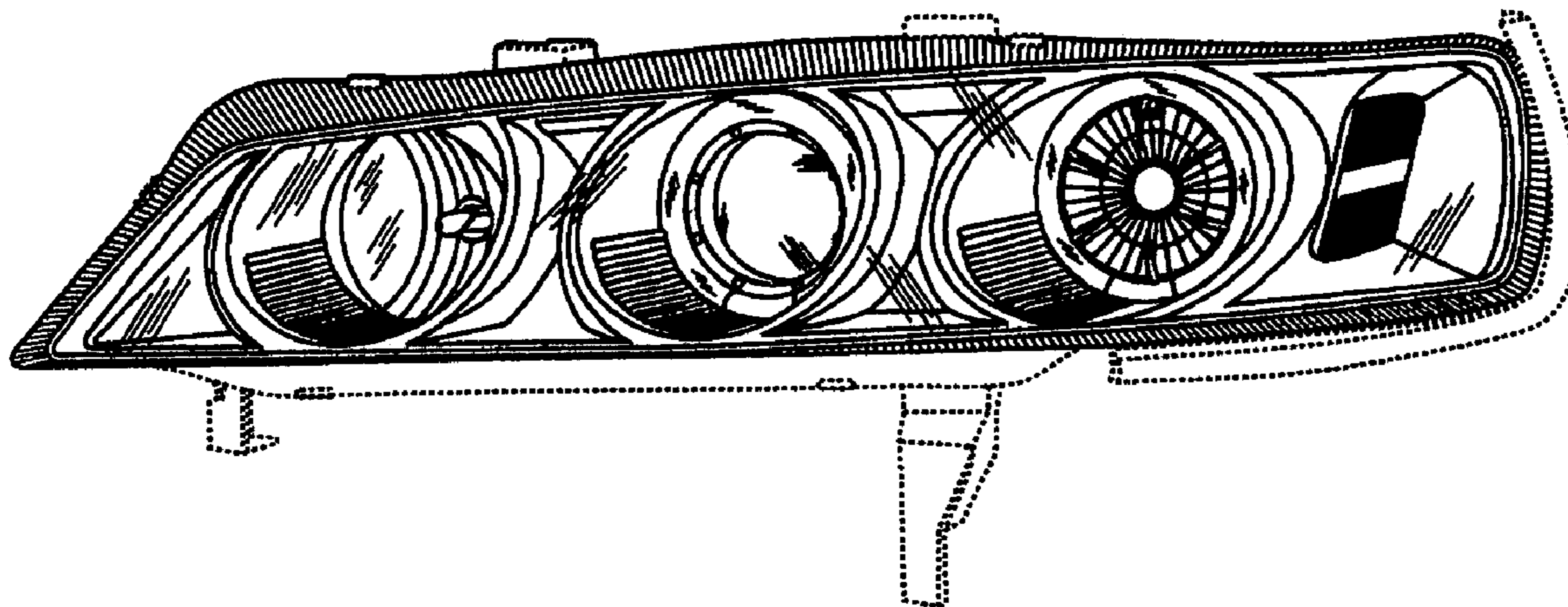
FIG. 4 is a right side elevational view thereof;

FIG. 5 is a bottom plan view thereof; and,

FIG. 6 is a top plan view thereof.

(The sixth side is not visible in its normal and intended use.)

1 Claim, 4 Drawing Sheets



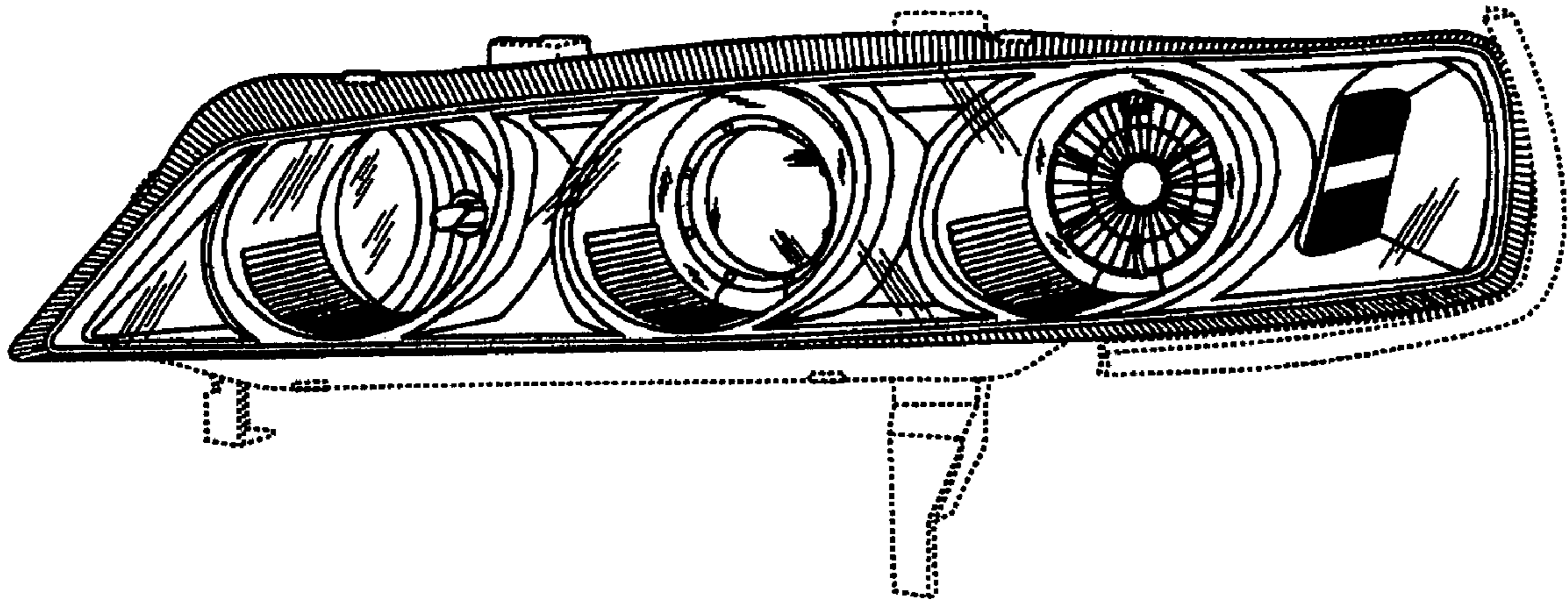


FIG. 1

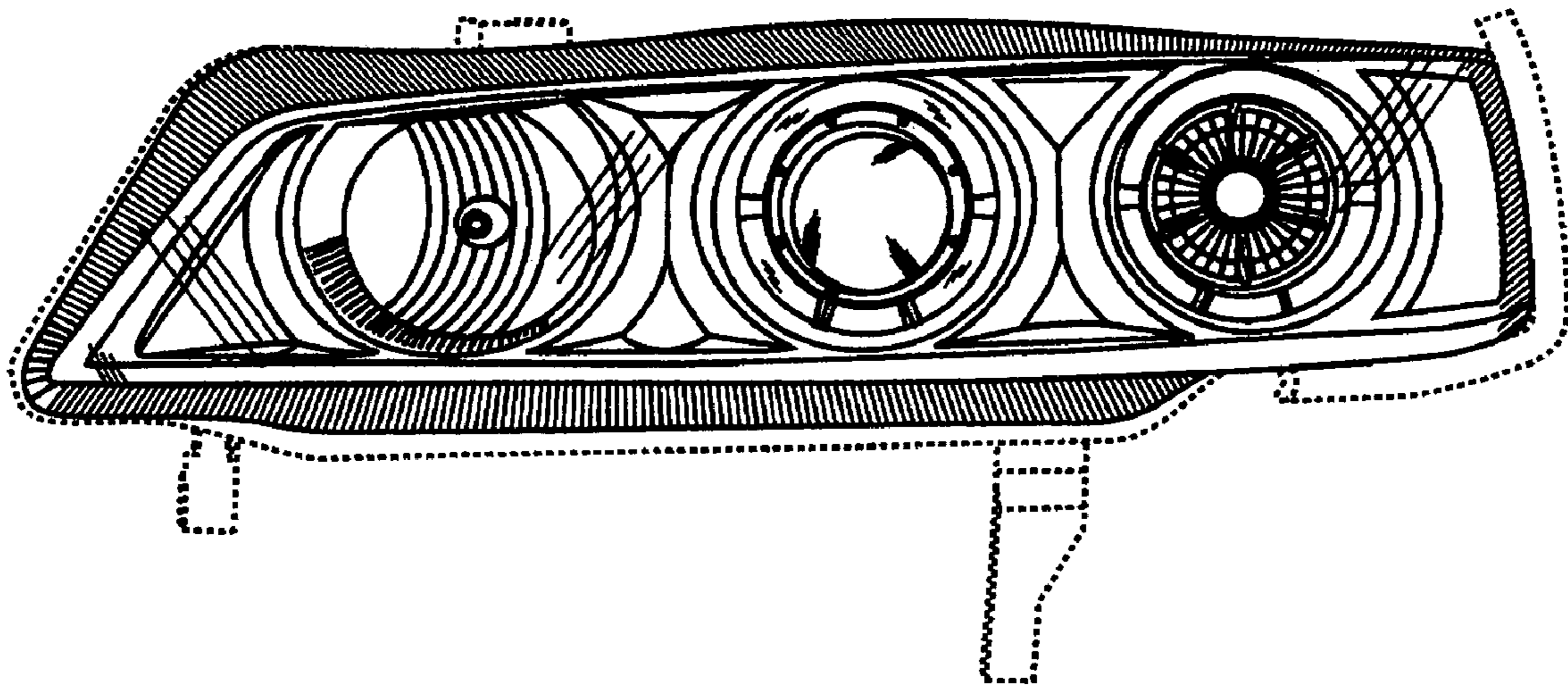


FIG.2

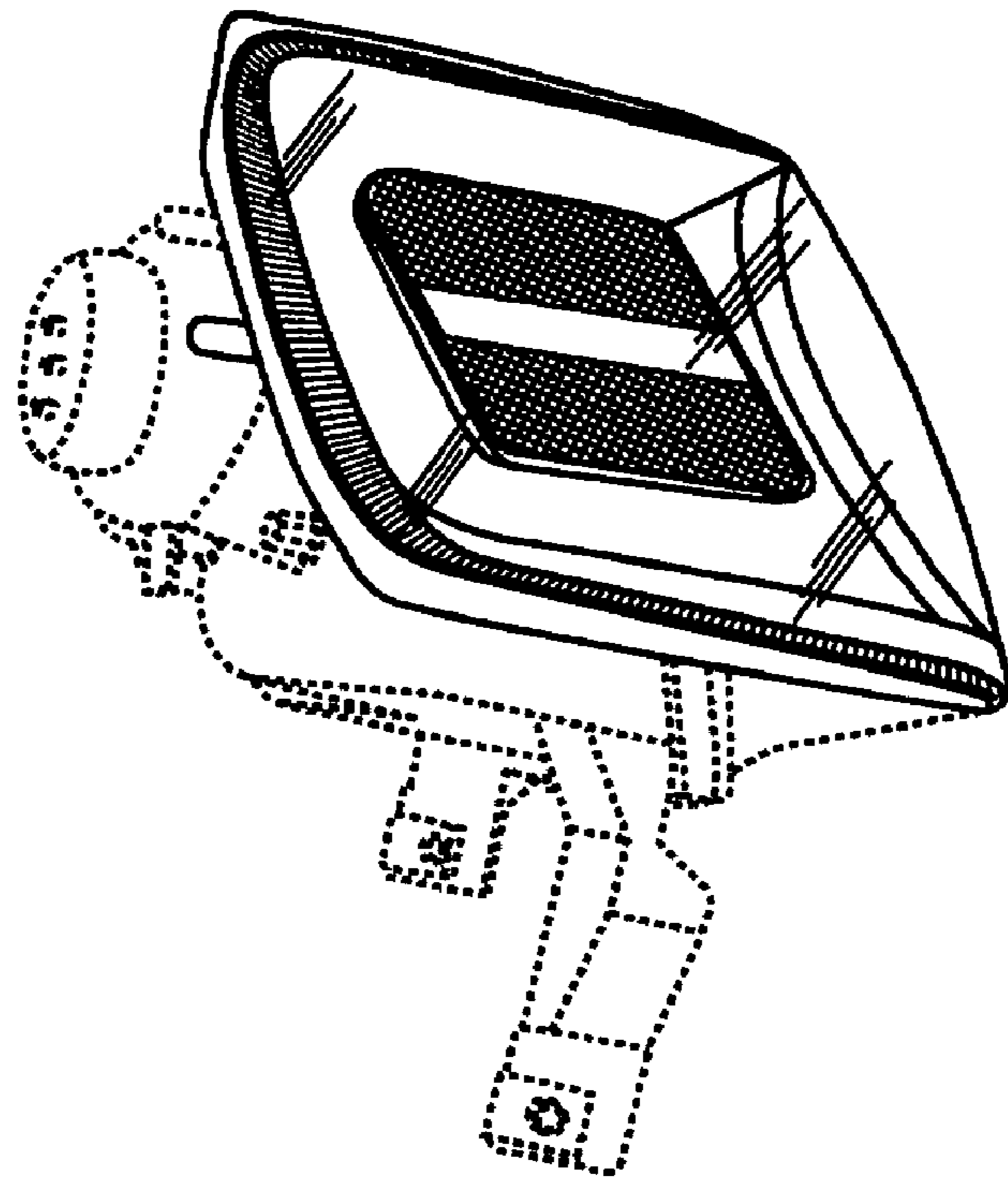


FIG.3

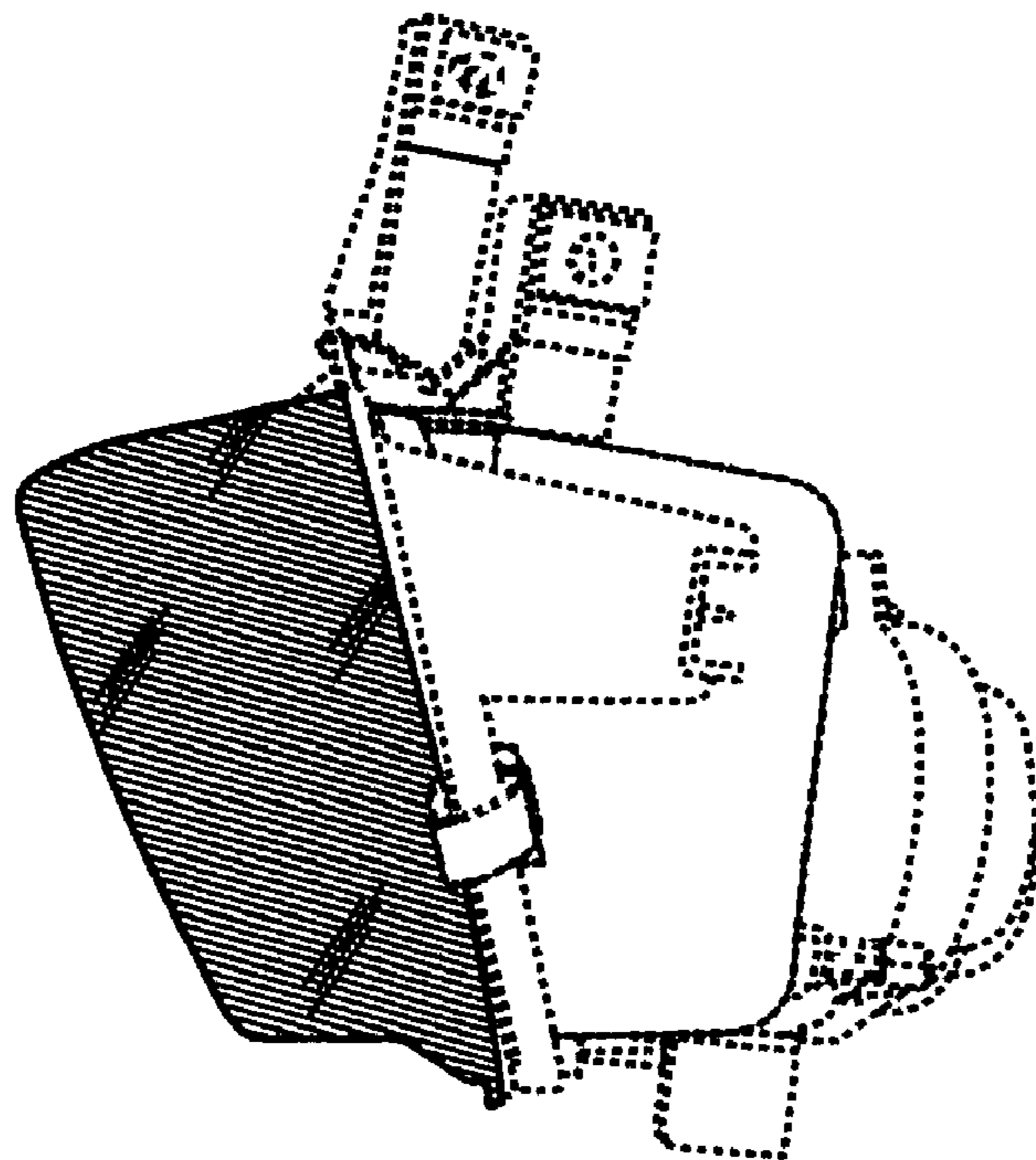


FIG.4

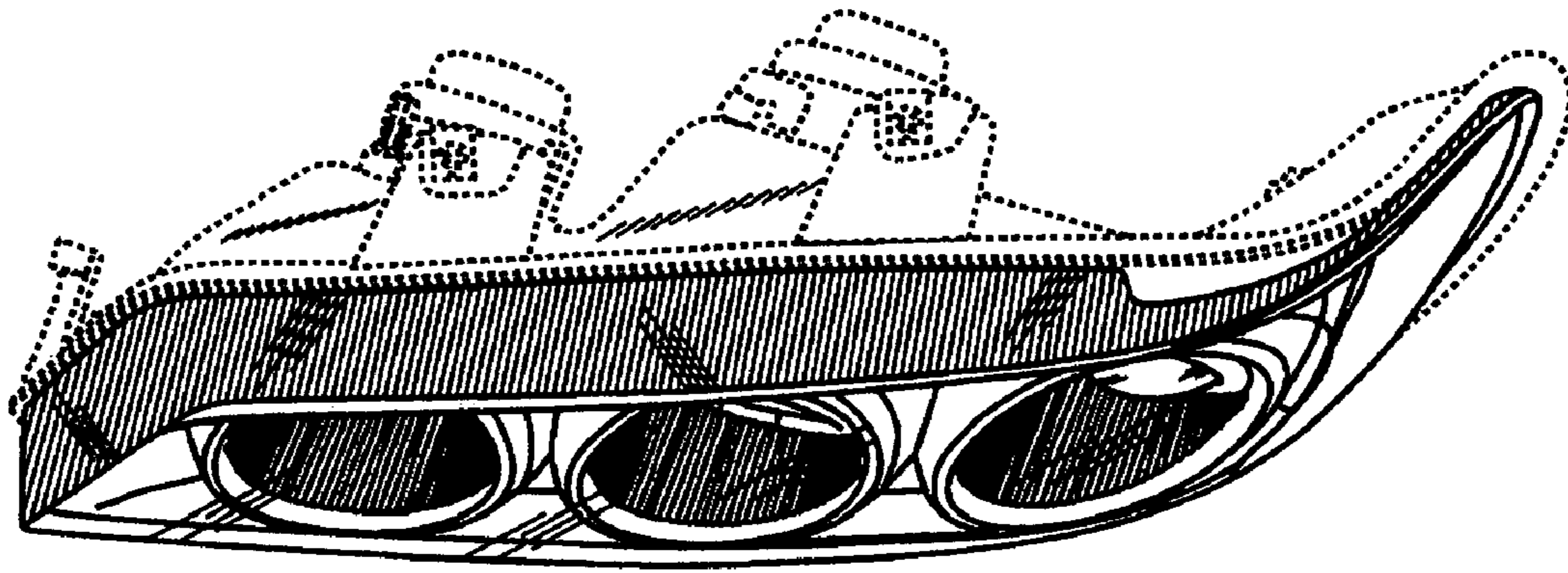


FIG. 5

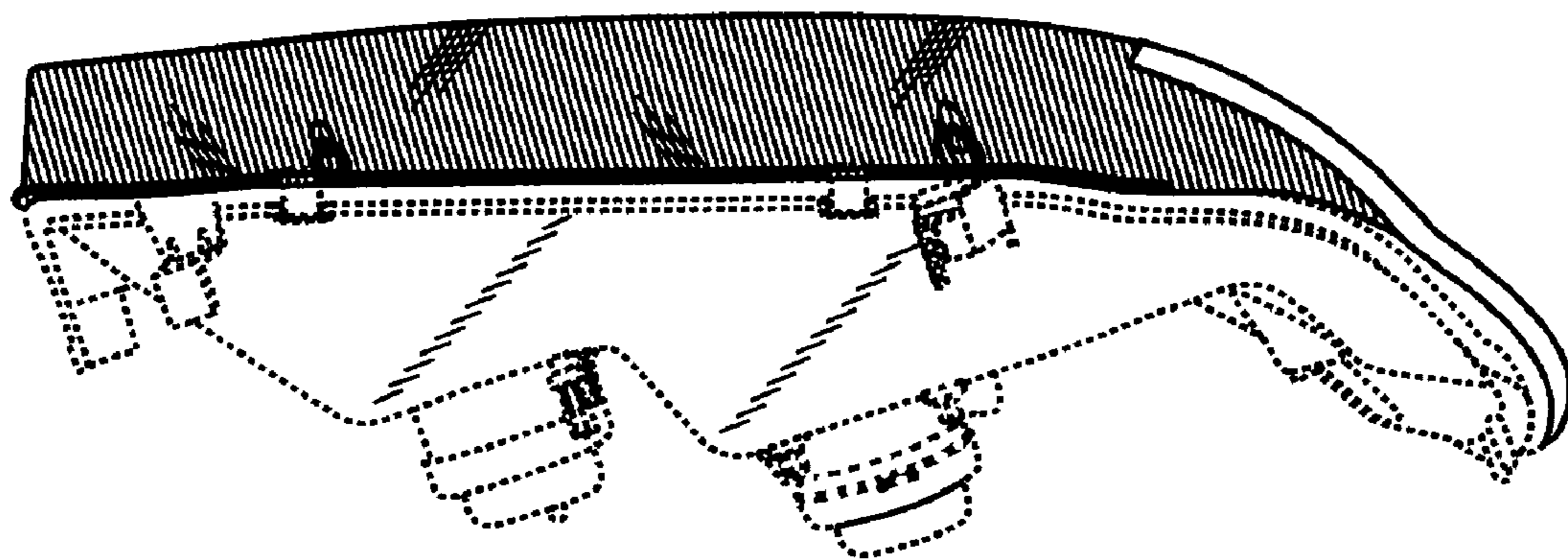


FIG. 6