



US00D582072S

(12) **United States Design Patent**
Yang

(10) **Patent No.:** **US D582,072 S**
(45) **Date of Patent:** **** Dec. 2, 2008**

(54) **AUTOMOTIVE LAMP**

(76) Inventor: **Hsiu Pen Yang**, No. 427 Sec. 2, Wenhua Road, Panchiao, Taipei (TW)

(**) Term: **14 Years**

(21) Appl. No.: **29/308,072**

(22) Filed: **May 27, 2008**

(51) **LOC (8) Cl.** **26-06**

(52) **U.S. Cl.** **D26/28**

(58) **Field of Classification Search** D26/28-36;
362/459-468, 475-478, 485-487
See application file for complete search history.

(56) **References Cited**

U.S. PATENT DOCUMENTS

D569,533 S *	5/2008	Hsu	D26/28
D570,007 S *	5/2008	Hsu	D26/28
D570,014 S *	5/2008	Hsu	D26/28
D570,016 S *	5/2008	Hsu	D26/28

* cited by examiner

Primary Examiner—Marcus A. Jackson
(74) *Attorney, Agent, or Firm*—Law Offices of Roger C. Hsu; Charles R. Sutton

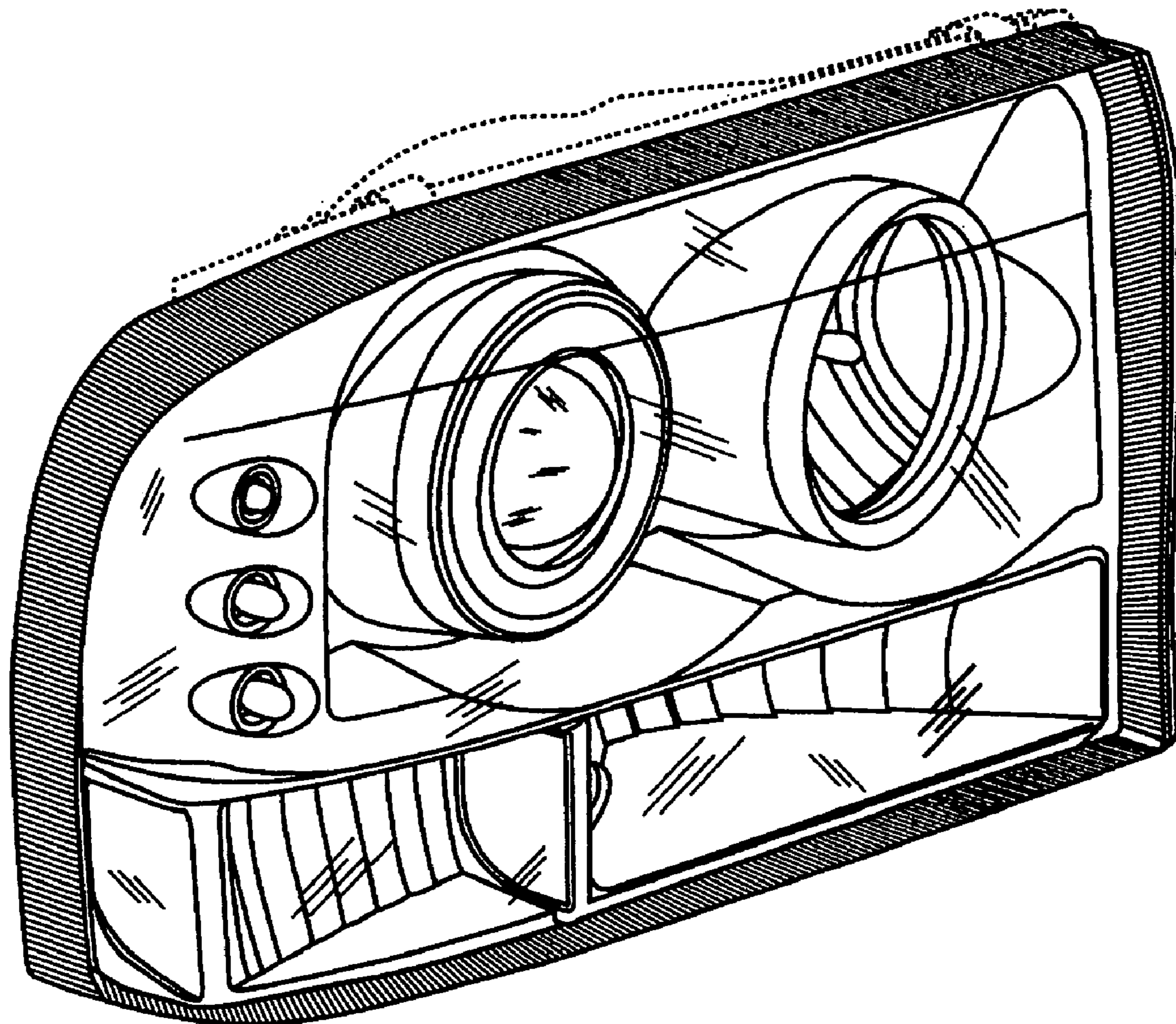
(57) **CLAIM**

The ornamental design for an automobile lamp, as shown and described.

DESCRIPTION

FIG. 1 is a perspective view of an automobile lamp showing my new design, with the broken line showing for illustrative purposes only and forming no part of the claimed design; FIG. 2 is a front elevational view thereof; FIG. 3 is a left side elevational view thereof; FIG. 4 is a right side elevational view thereof; FIG. 5 is a bottom plan view thereof; and, FIG. 6 is a top plan view thereof.

1 Claim, 4 Drawing Sheets



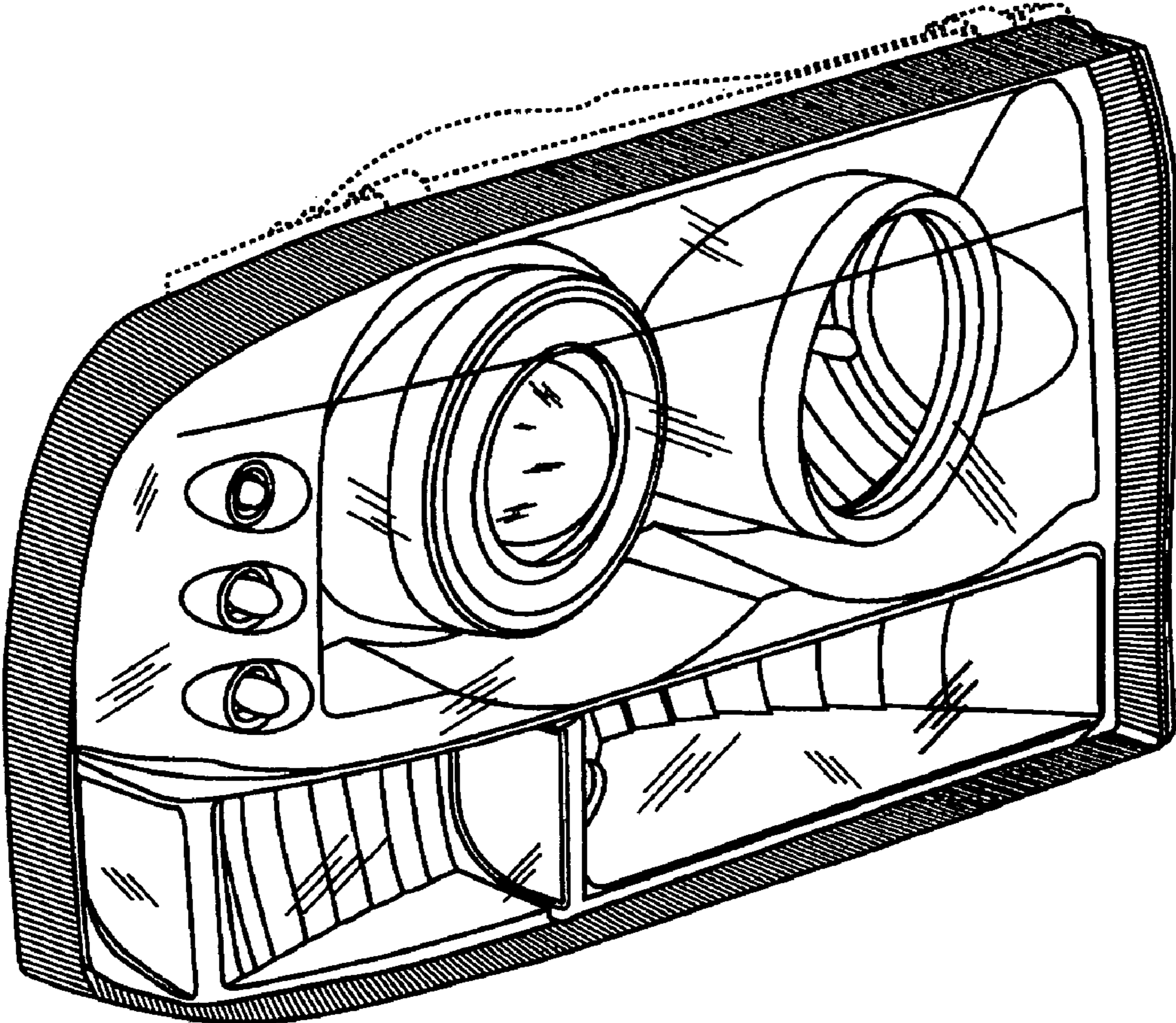


FIG. 1

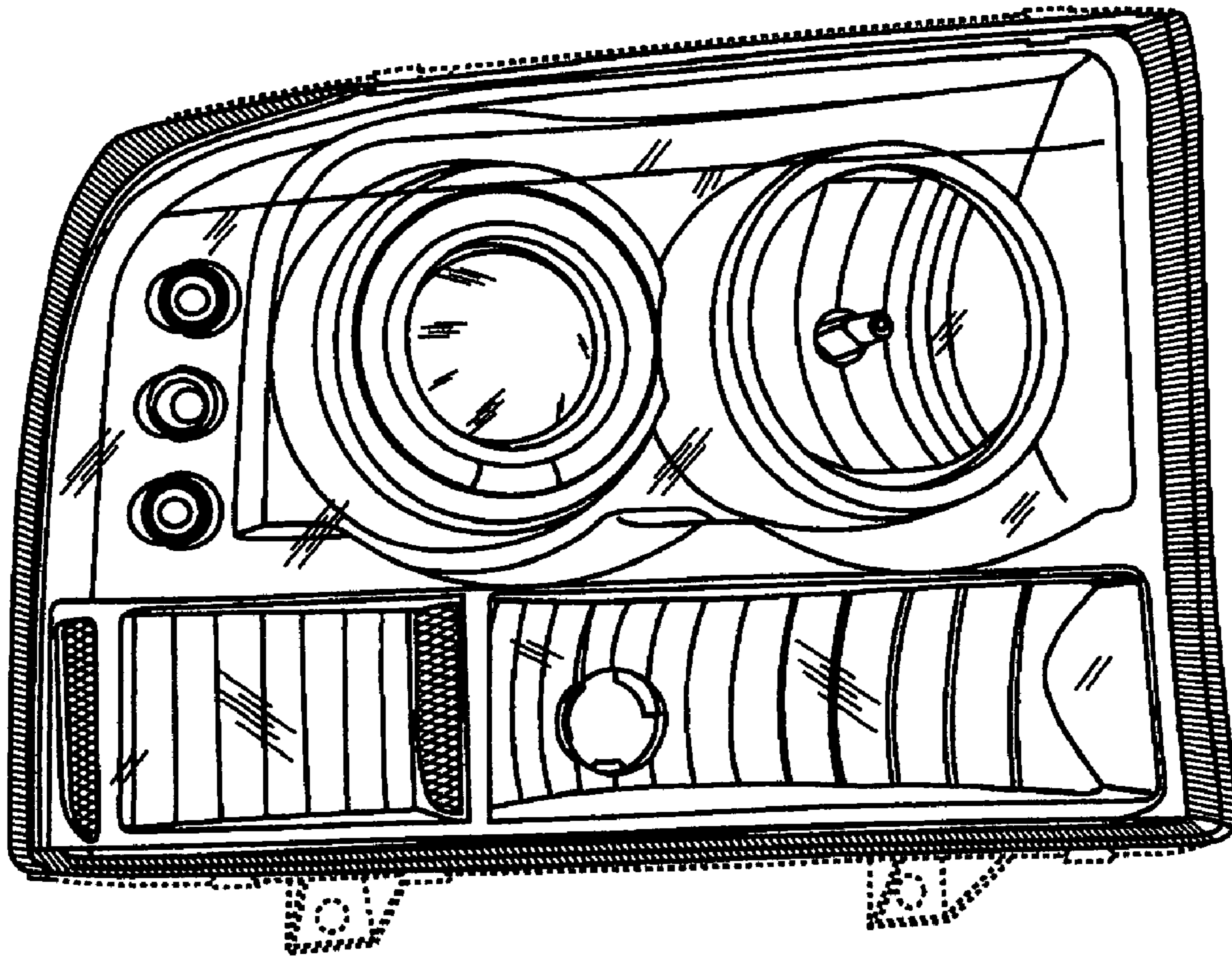


FIG.2

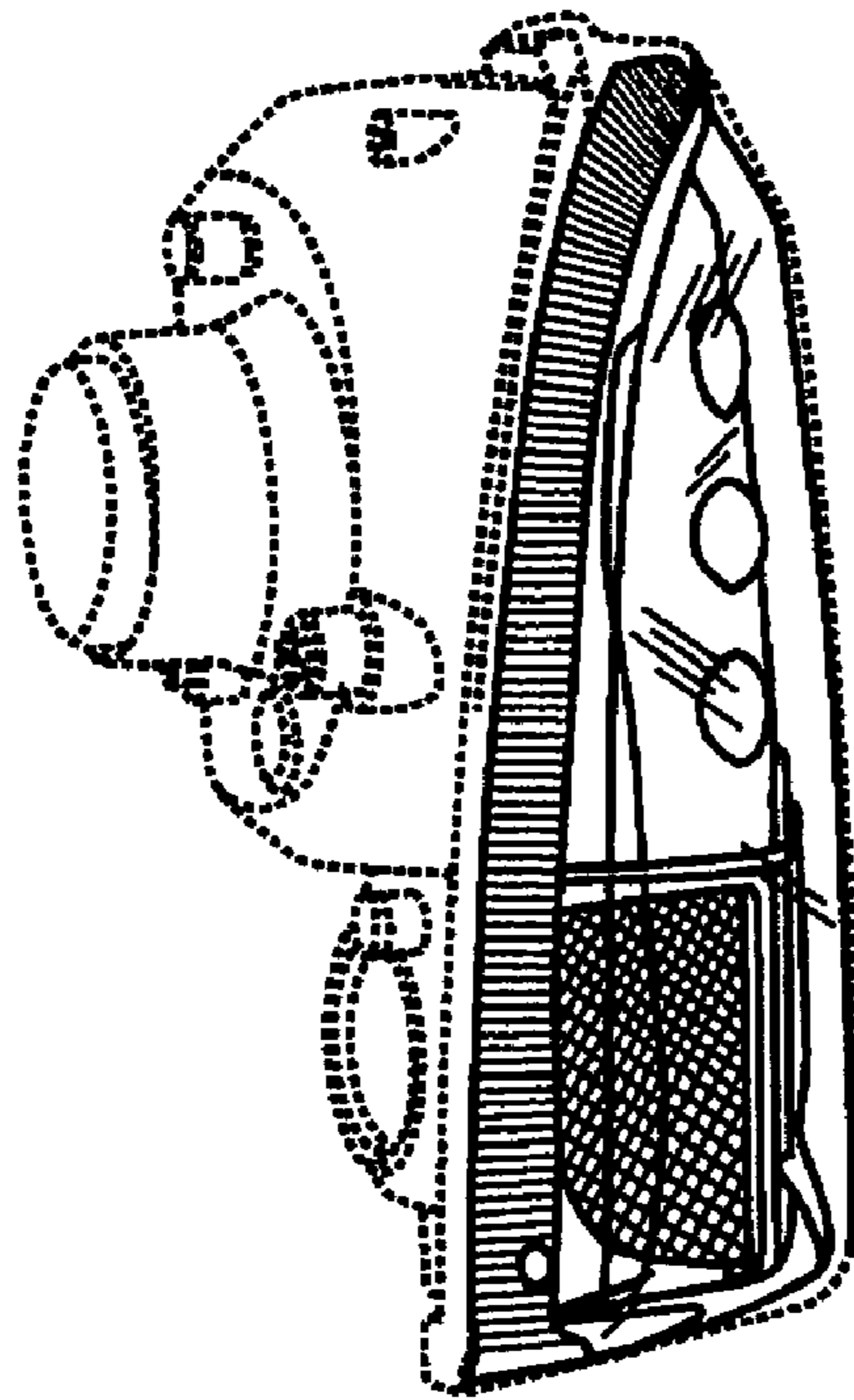


FIG. 3

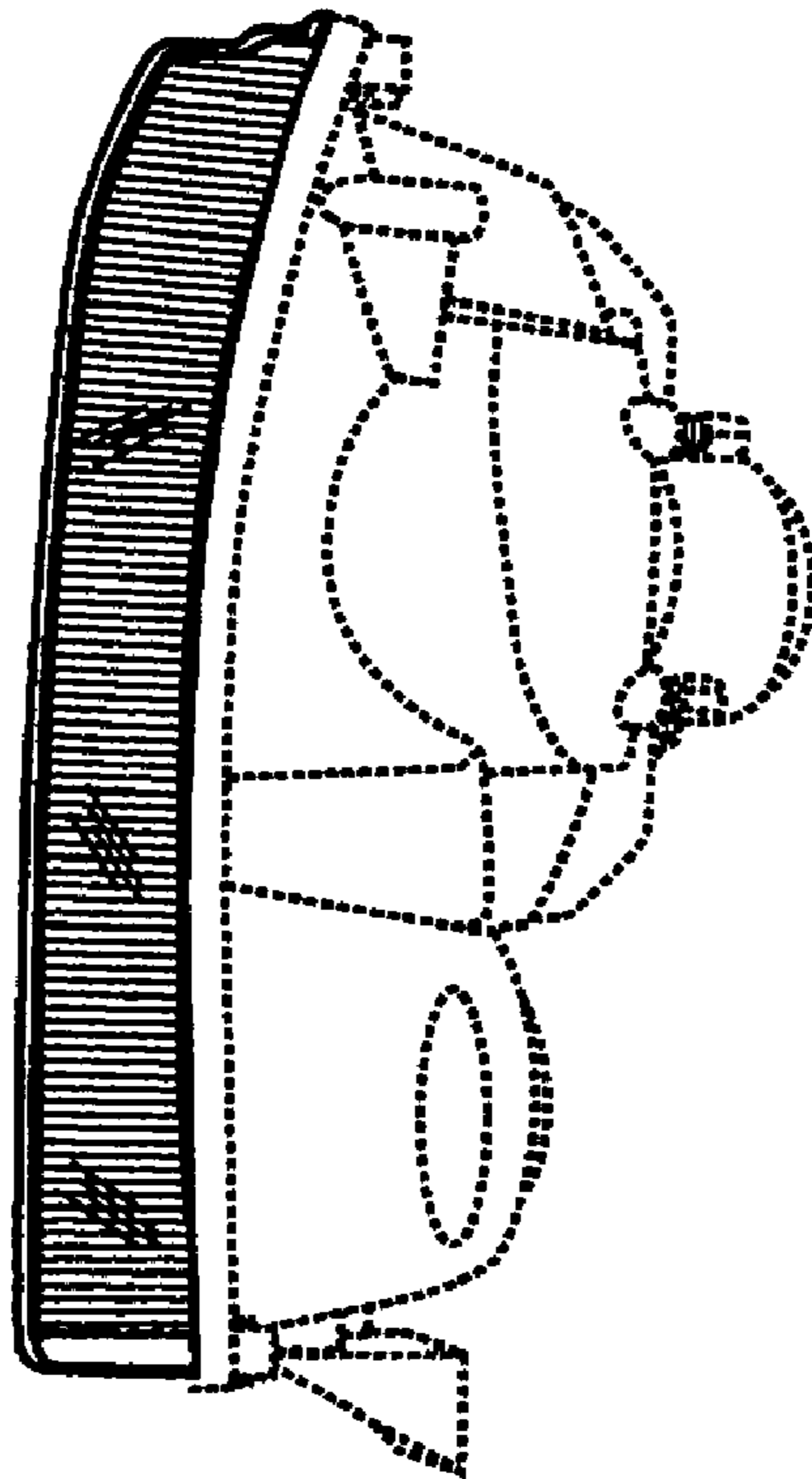


FIG. 4

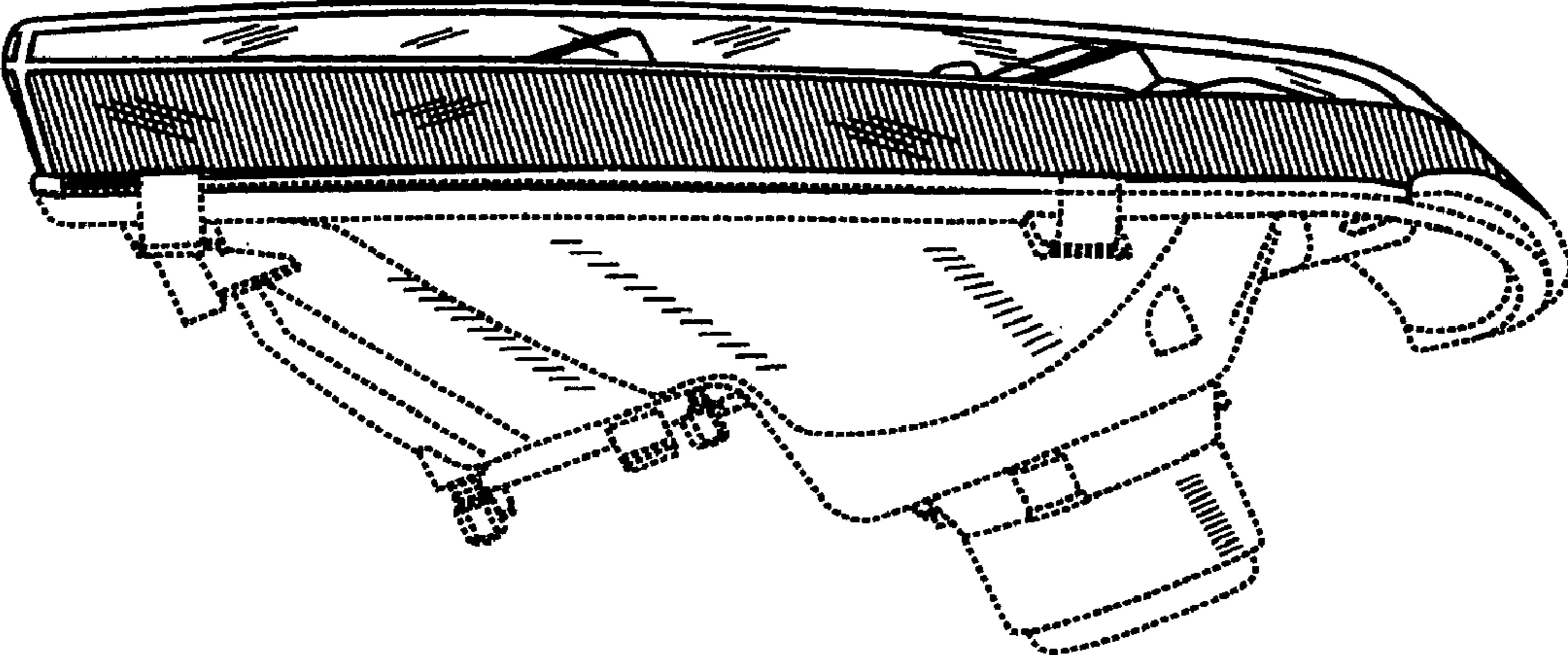


FIG.5

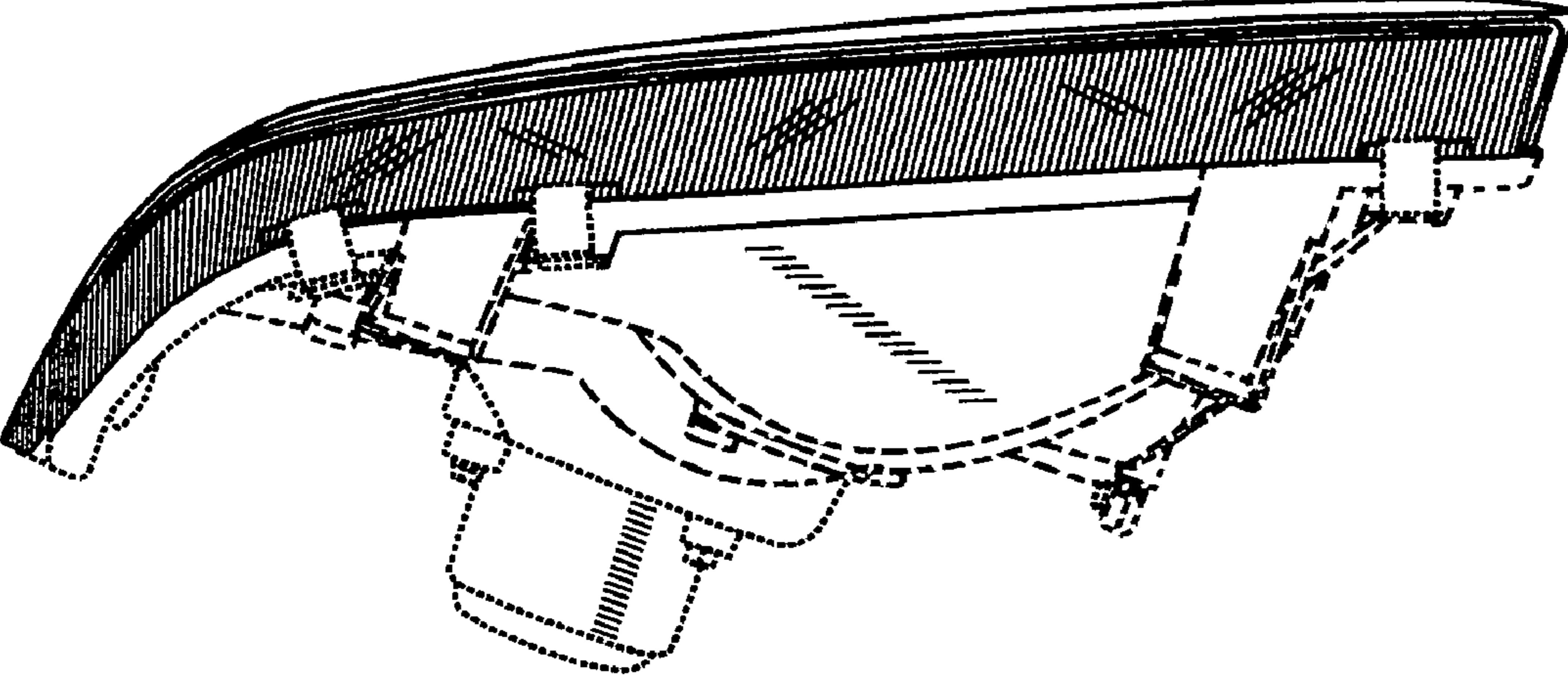


FIG.6