



US00D582067S

(12) **United States Design Patent**
Miyazawa

(10) **Patent No.:** **US D582,067 S**
(45) **Date of Patent:** **** Dec. 2, 2008**

(54) **REAR COMBINATION LAMPS AND REAR GATE KNOB FOR AUTOMOBILES**

D560,292 S * 1/2008 Sato D26/28
D561,357 S * 2/2008 Leclercq D26/28
D565,211 S * 3/2008 Haller et al. D26/28

(75) Inventor: **Takuya Miyazawa**, Wako (JP)

* cited by examiner

(73) Assignee: **Honda Motor Co., Ltd.**, Tokyo (JP)

Primary Examiner—Marcus A. Jackson

(**) Term: **14 Years**

(74) *Attorney, Agent, or Firm*—Birch, Stewart, Kolasch & Birch, LLP

(21) Appl. No.: **29/290,580**

(57) **CLAIM**

(22) Filed: **Dec. 18, 2007**

The ornamental design for a rear combination lamps and rear gate knob for automobiles, as shown and described.

(30) **Foreign Application Priority Data**

Jun. 19, 2007 (JP) 2007-016248

DESCRIPTION

(51) **LOC (8) Cl.** **26-06**

FIG. 1 is a front view of a rear combination lamps and rear gate knob for automobiles showing my new design;

(52) **U.S. Cl.** **D26/28**

FIG. 2 is a left side view thereof; and,

(58) **Field of Classification Search** D26/28-36;
362/459-468, 475-478, 485-487
See application file for complete search history.

FIG. 3 is a front left perspective view thereof.

The right side view is a mirror image of the left side view. The rear, top and bottom are unornamented.

(56) **References Cited**

The portions in the drawings shown in dashed lines are for environmental purposes and form no part of the claimed design.

U.S. PATENT DOCUMENTS

D552,769 S * 10/2007 Leclercq D26/28
D553,269 S * 10/2007 Pfeiffer et al. D26/28

1 Claim, 1 Drawing Sheet

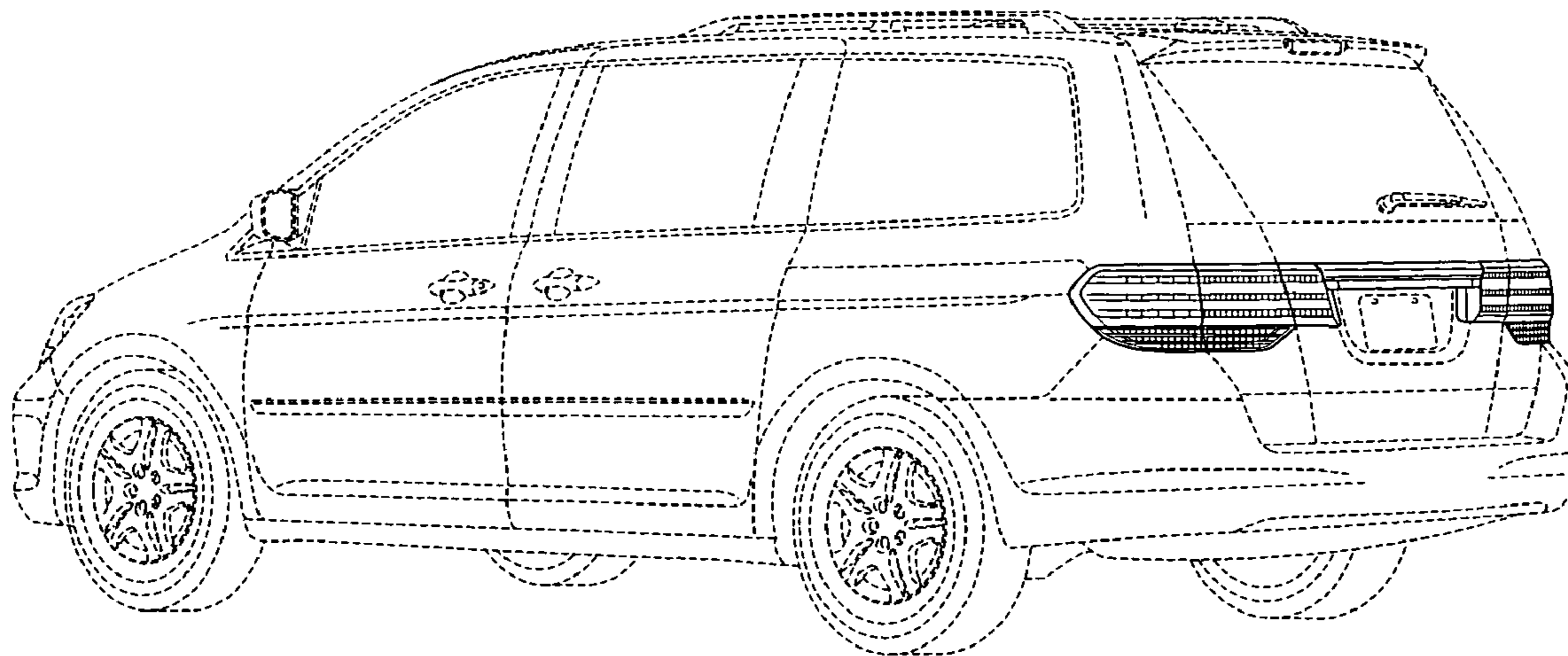


FIG.1

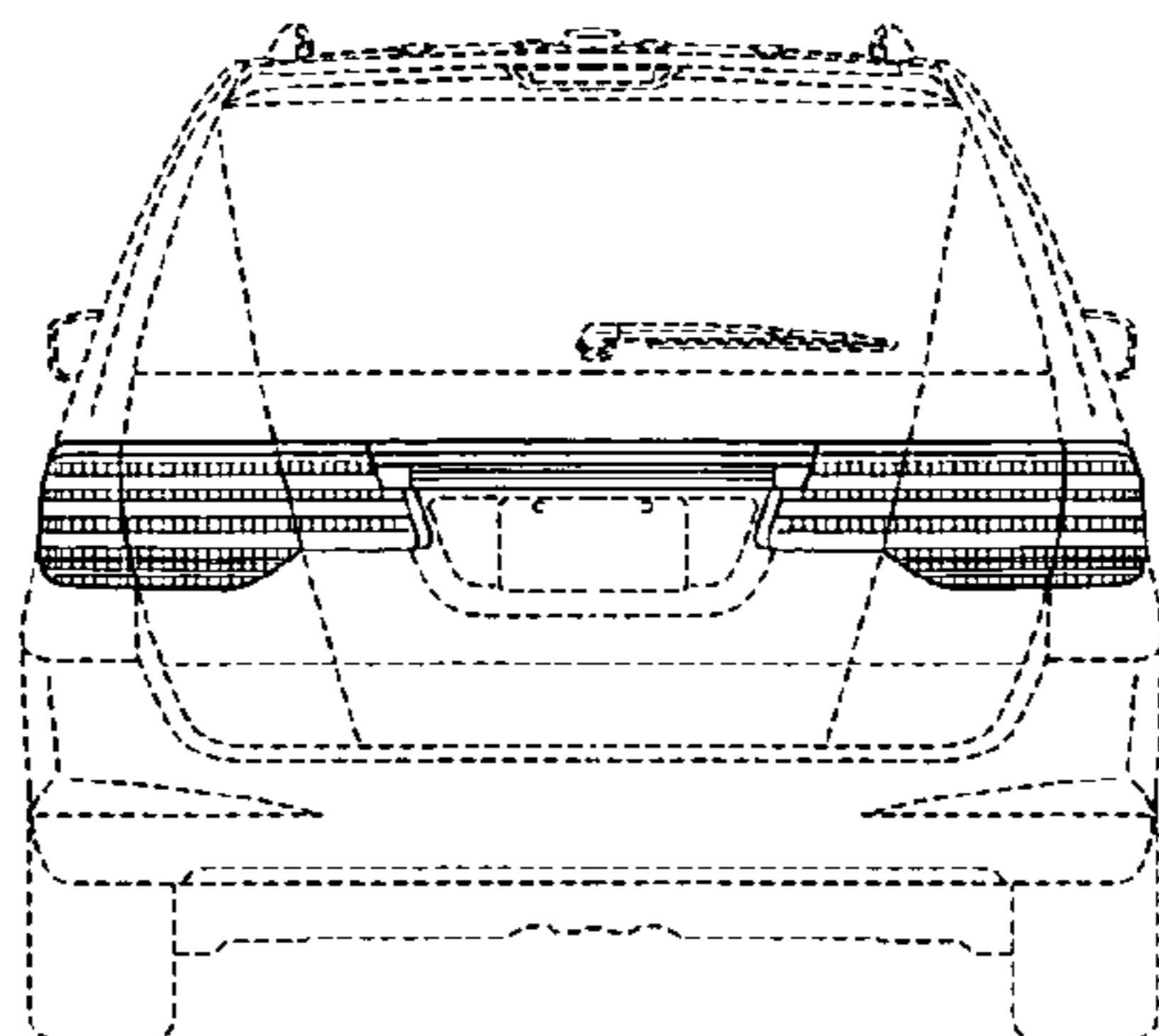


FIG.2

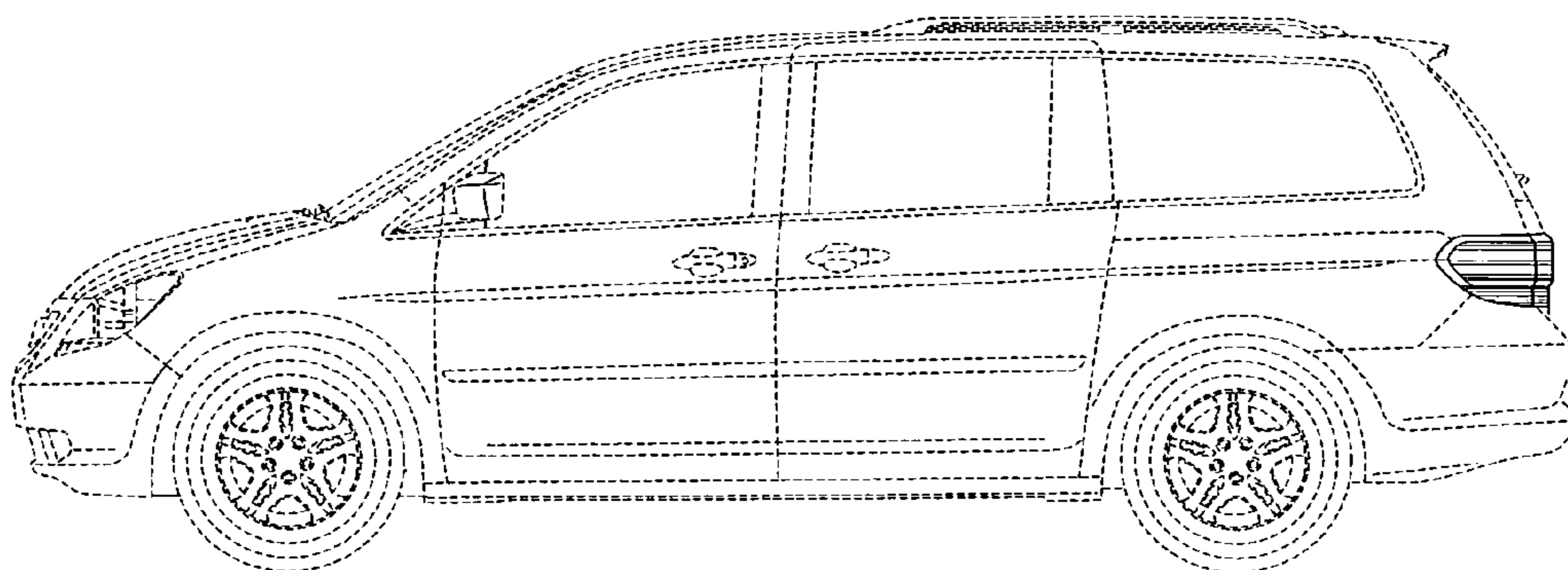


FIG.3

