

US00D582065S

(12) **United States Design Patent**
Mays et al.

(10) **Patent No.:** **US D582,065 S**
(45) **Date of Patent:** **** *Dec. 2, 2008**

(54) **HEADLAMP**

(75) Inventors: **J C. Mays**, Bloomfield Hills, MI (US);
Larry R. Erickson, Birmingham, MI (US)

(73) Assignee: **Ford Global Technologies, LLC**,
Dearborn, MI (US)

(*) Notice: This patent is subject to a terminal disclaimer.

(**) Term: **14 Years**

(21) Appl. No.: **29/194,562**

(22) Filed: **Nov. 26, 2003**

(51) **LOC (8) Cl.** **26-06**

(52) **U.S. Cl.** **D26/28**

(58) **Field of Classification Search** D26/28-36,
D26/119; 362/459-468, 475-478, 485-487
See application file for complete search history.

(56) **References Cited**

U.S. PATENT DOCUMENTS

D501,685 S * 2/2005 Metros et al. D26/28
D501,940 S * 2/2005 Abe D26/28
D501,941 S * 2/2005 Abe D26/28

OTHER PUBLICATIONS

40 Pages—Photographs of Commercial Parts, cited prior to Nov. 26, 2003.

* cited by examiner

Primary Examiner—Marcus A. Jackson

(74) *Attorney, Agent, or Firm*—Damian Porcari; Brooks Kushman P.C.

(57) **CLAIM**

The ornamental design for a Headlamp as shown and described.

DESCRIPTION

FIG. 1 is isometric frontal view in perspective of a motor vehicle that includes headlamp;

FIG. 2 is a top view of the headlamp of FIG. 1;

FIG. 3 is a front view of the headlamp of FIG. 1;

FIG. 4 is a side view of the headlamp of FIG. 1; and,

FIG. 5 is a rear view of the headlamp of FIG. 1.

This design is not limited to the exact details shown in the Drawings, since equivalents and colorable imitations thereof will be evident to a person of ordinary skill in the art. Broken lines are used in the Drawings to denote certain subject matter, for example, environmental structure or boundaries, that form no part of the design to be patented. Thus, within the scope of the appended claim, which is intended to cover only the ornamental and novel elements shown in the Drawings, the invention may be practiced otherwise than as specifically shown and described herein.

1 Claim, 3 Drawing Sheets

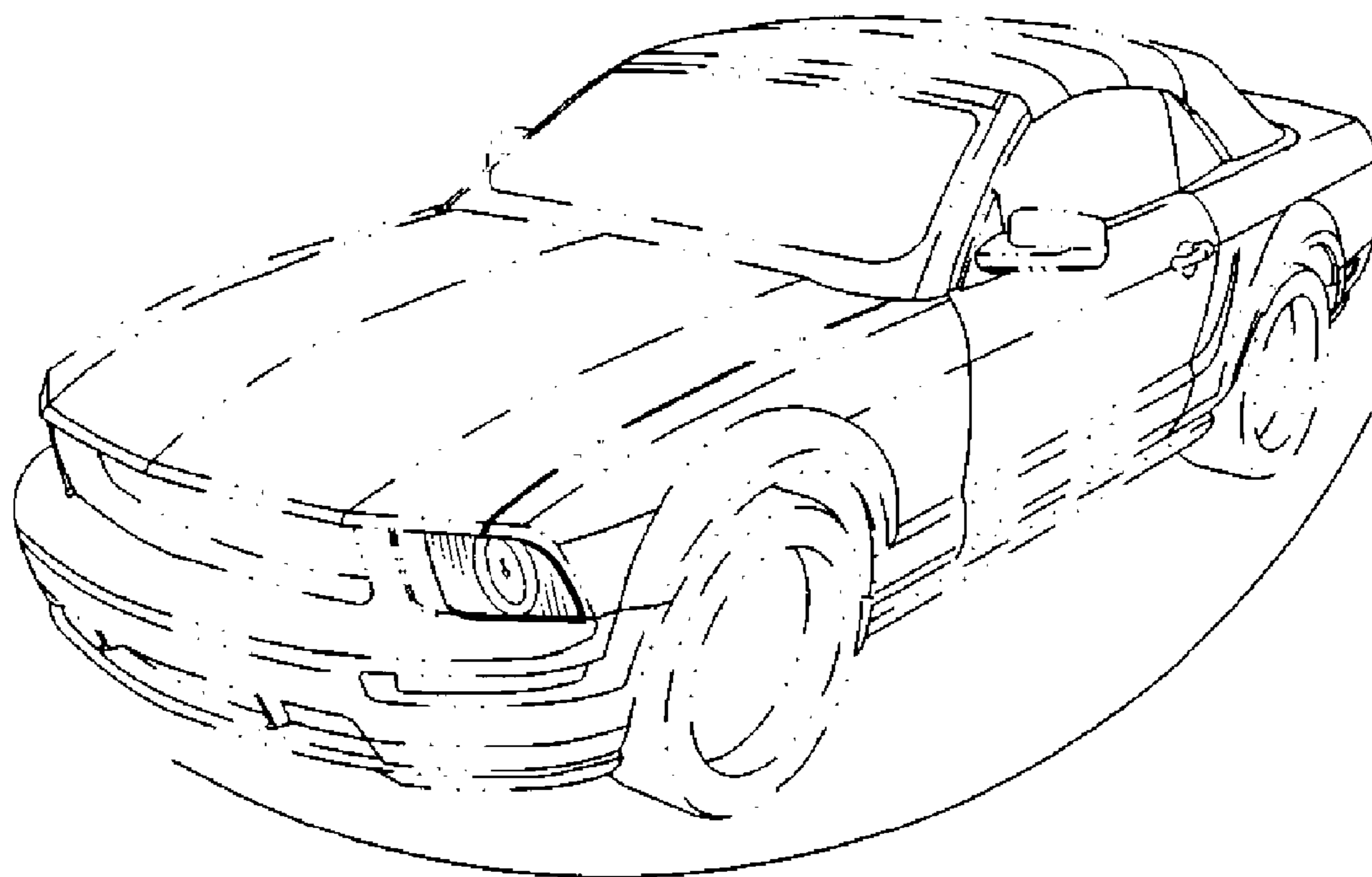


Figure 1

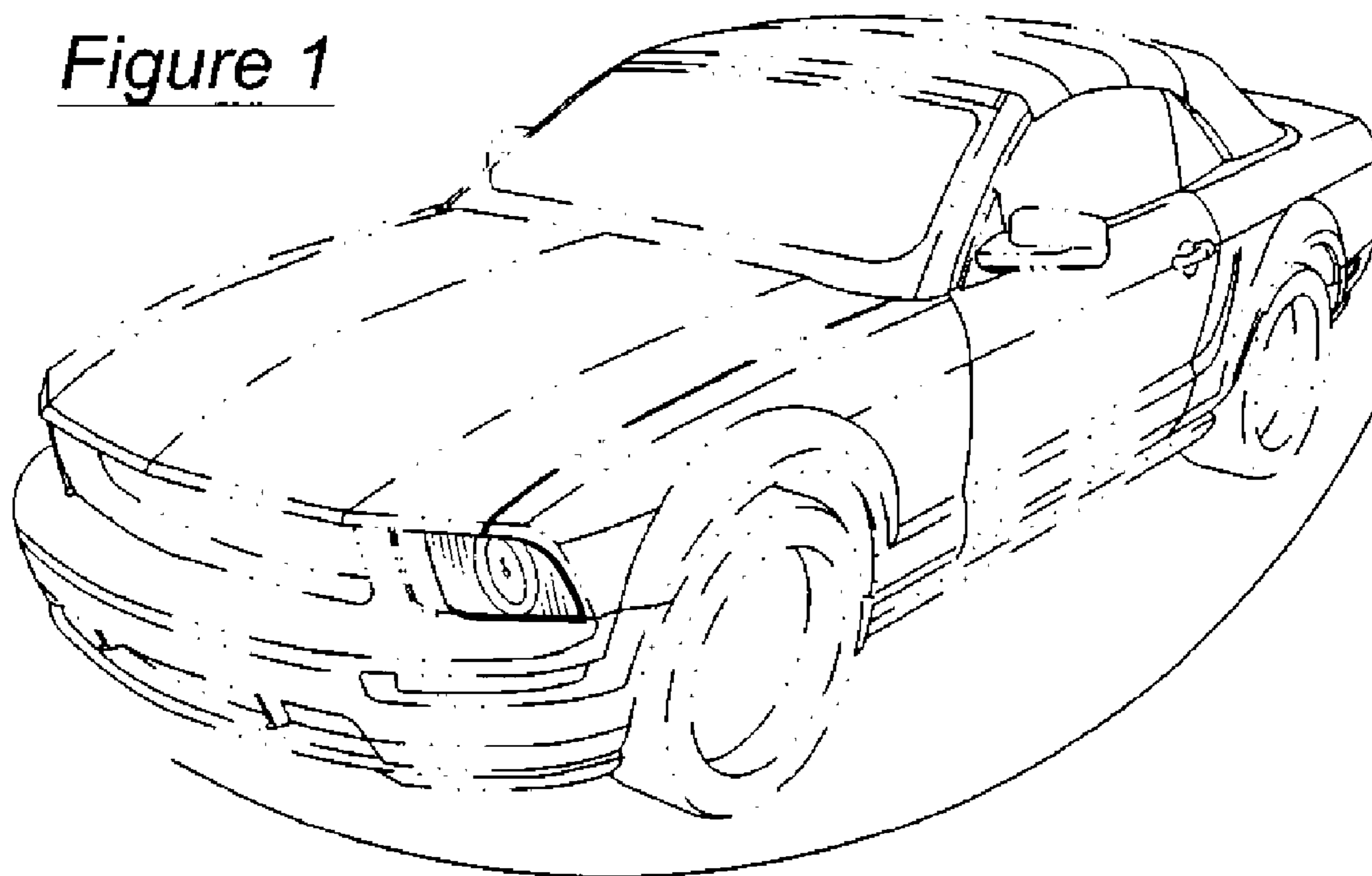
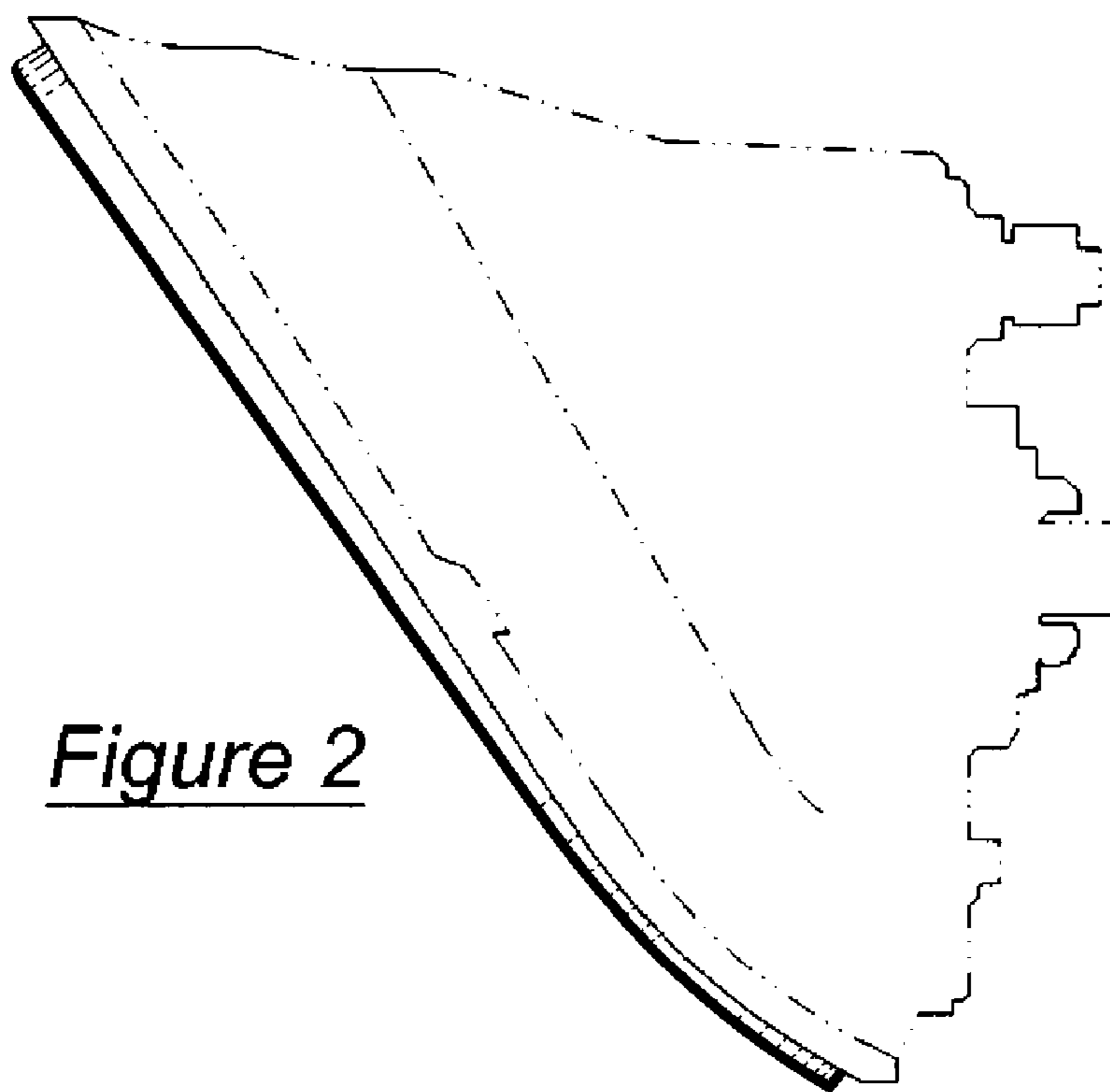


Figure 2



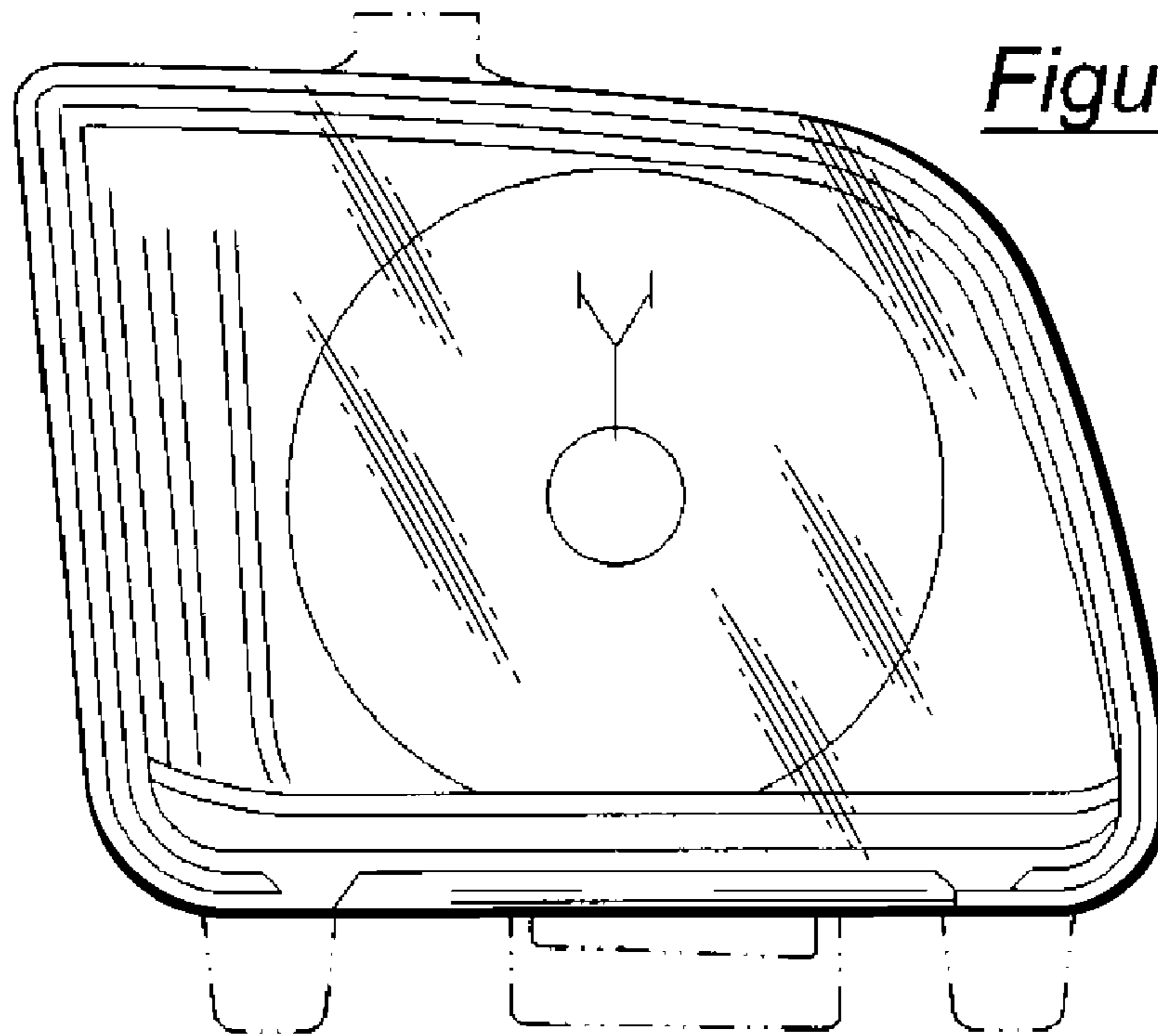
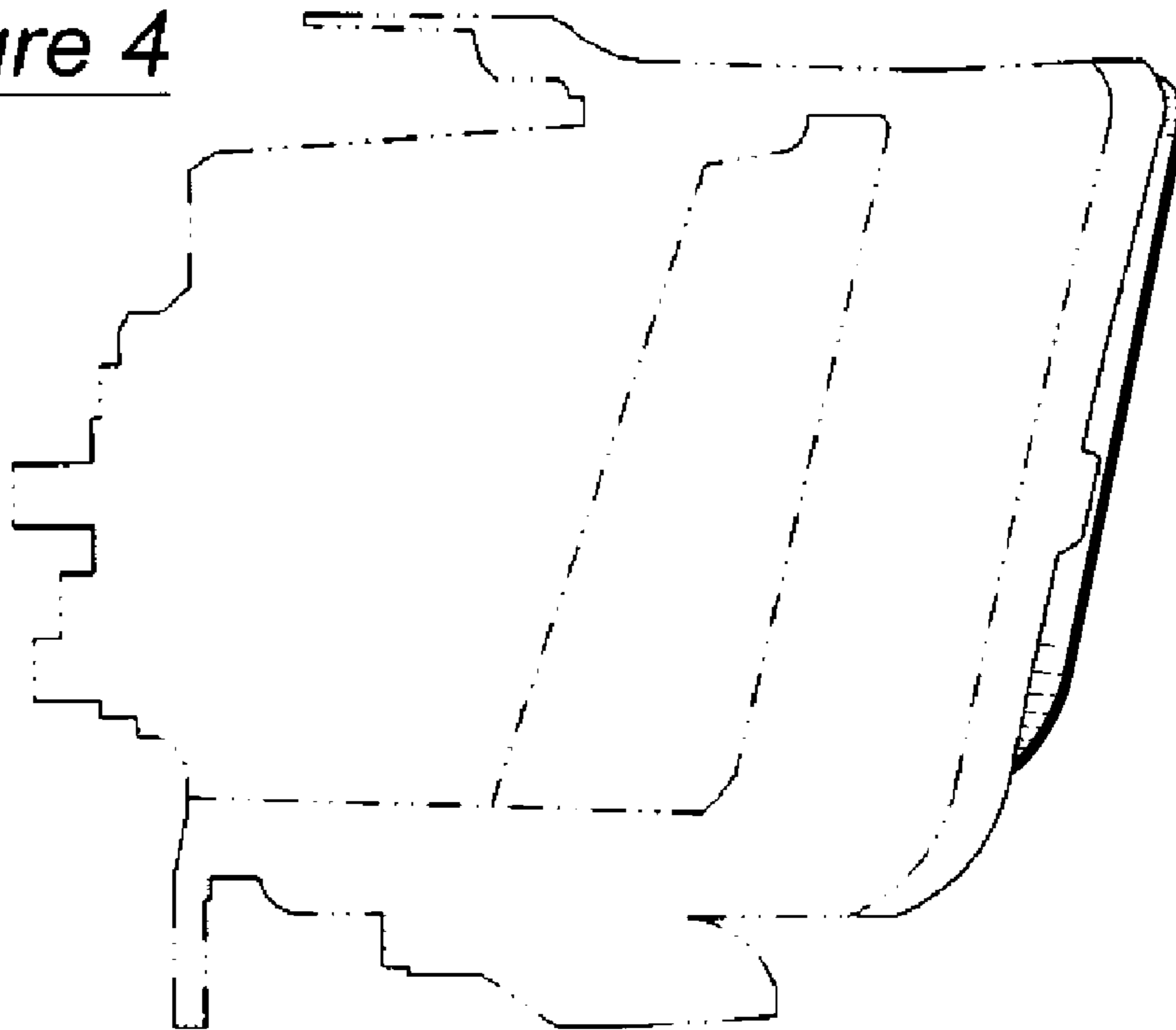


Figure 3

Figure 4



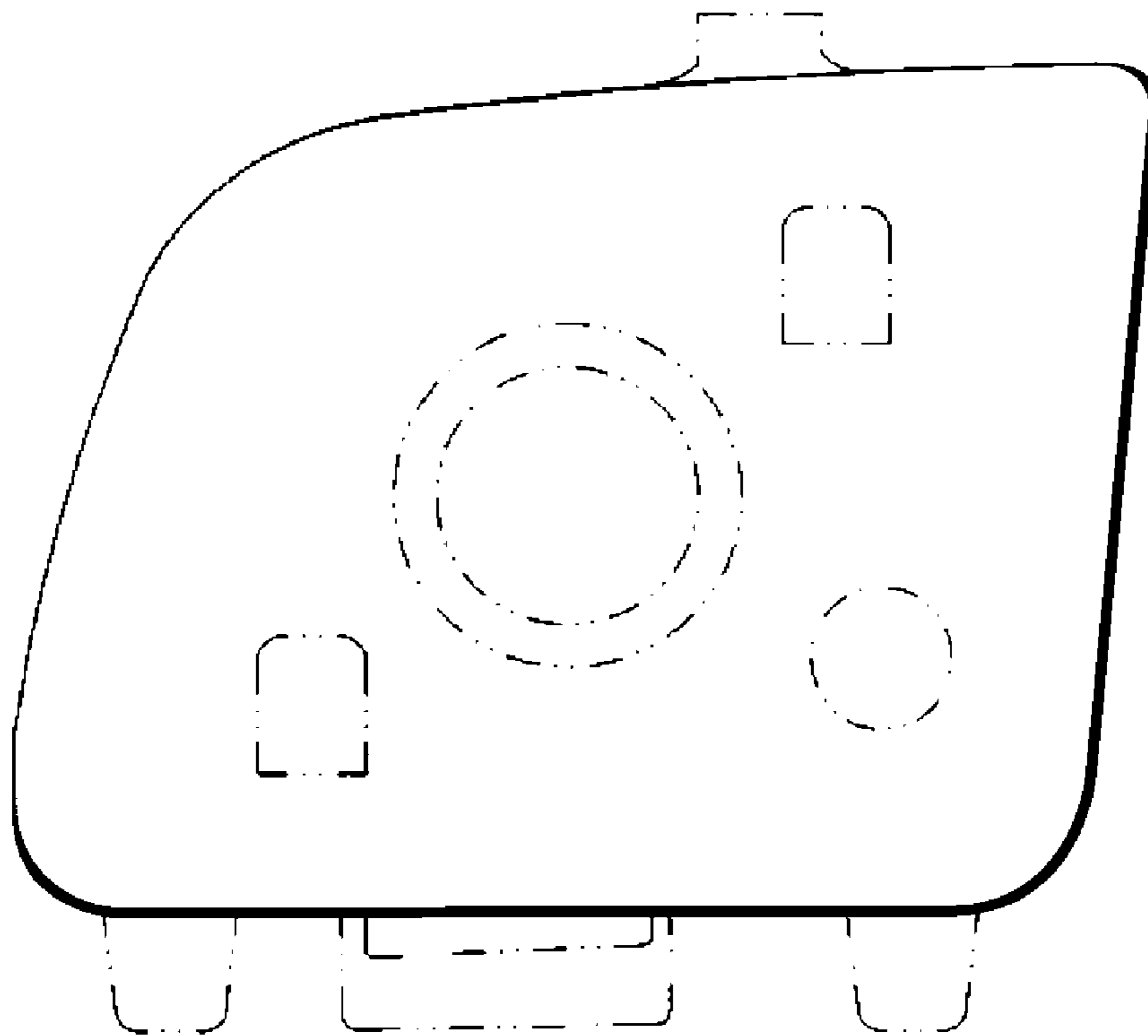


Figure 5