



US00D582055S

(12) **United States Design Patent**  
**Moller et al.**

(10) **Patent No.:** **US D582,055 S**  
(45) **Date of Patent:** **\*\* Dec. 2, 2008**

(54) **SKYLIGHT WINDOW FRAME**

(75) Inventors: **Brent Moller**, Gentoft (DK); **Niels Adelholm Larsen**, Rodovre (DK); **Per Jacobsen**, Horsens (DK)

(73) Assignee: **VKR Holding A/S**, Søborg (DK)

(\*\*) Term: **14 Years**

(21) Appl. No.: **29/234,136**

(22) Filed: **Jul. 14, 2005**

(30) **Foreign Application Priority Data**

Jan. 24, 2005 (EM) ..... 000284633-0001/0002

(51) **LOC (8) Cl.** ..... **25-02**

(52) **U.S. Cl.** ..... **D25/60**

(58) **Field of Classification Search** ..... D25/60,  
D25/52, 199; 52/58, 200, 60  
See application file for complete search history.

(56) **References Cited**

U.S. PATENT DOCUMENTS

- D312,506 S \* 11/1990 Schalle ..... D25/199
- D382,347 S \* 8/1997 Grubb ..... D25/52
- D385,363 S \* 10/1997 Sølbeck ..... D25/60
- 5,675,940 A \* 10/1997 Bahar et al. .... 52/58
- D390,976 S \* 2/1998 Weston ..... D25/199
- D396,301 S \* 7/1998 Fujimoto et al. .... D25/52

- D448,095 S \* 9/2001 Merideth ..... D25/199
- D489,834 S \* 5/2004 Weston ..... D25/199
- 2003/0056444 A1 \* 3/2003 Ackerman, Jr. .... 52/58
- 2003/0066254 A1 \* 4/2003 DeBlock ..... 52/200
- 2003/0079422 A1 \* 5/2003 Bracale ..... 52/200

\* cited by examiner

*Primary Examiner*—Doris Clark

(74) *Attorney, Agent, or Firm*—Merek, Blackmon & Voorhees, LLC

(57) **CLAIM**

The ornamental design for a skylight window frame, as shown and described.

**DESCRIPTION**

FIG. 1 is a perspective view taken from the front, bottom and right side of a window showing our design;

FIG. 2 is a perspective view taken from the front, top and right side of the window of FIG. 1;

FIG. 3 is a front elevation of the window of FIG. 1;

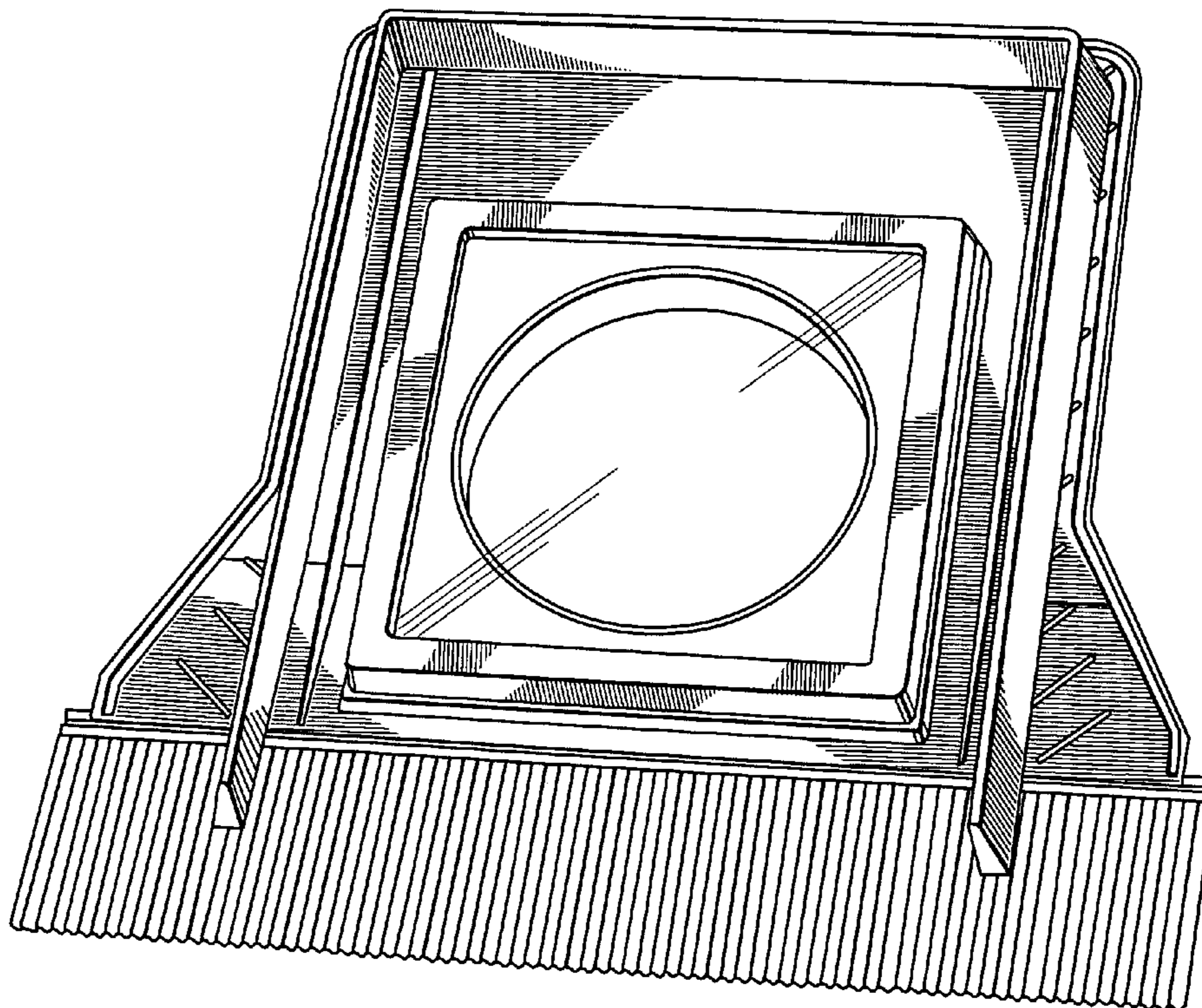
FIG. 4 is a right side elevation of the window of FIG. 1, turned 90 degrees from its orientation in FIG. 1;

FIG. 5 is a bottom plan view of the window of FIG. 1;

FIG. 6 is a top plan view of the window of FIG. 1; and,

FIG. 7 is a rear elevation of the window of FIG. 1.

**1 Claim, 5 Drawing Sheets**



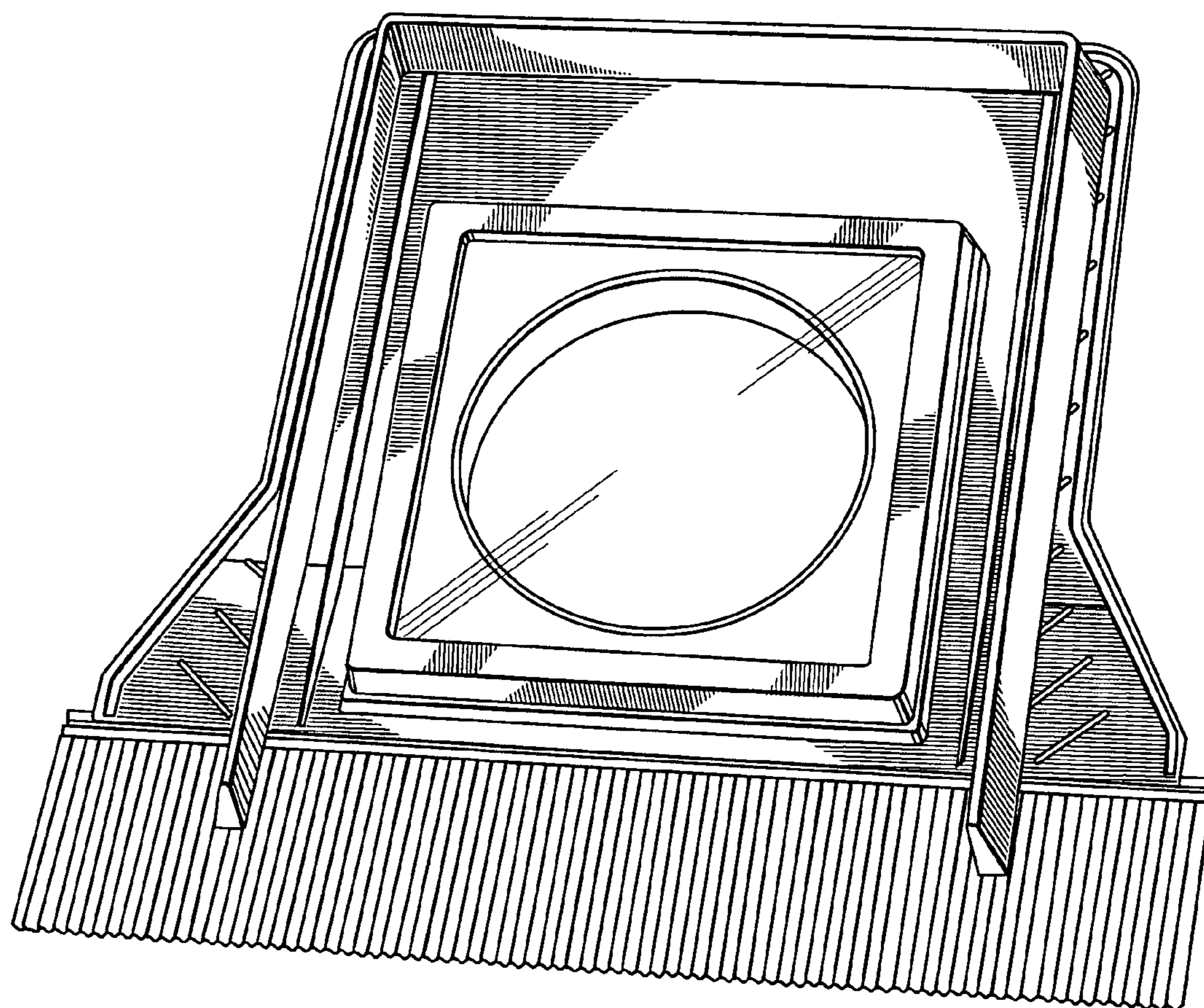


FIG. 1

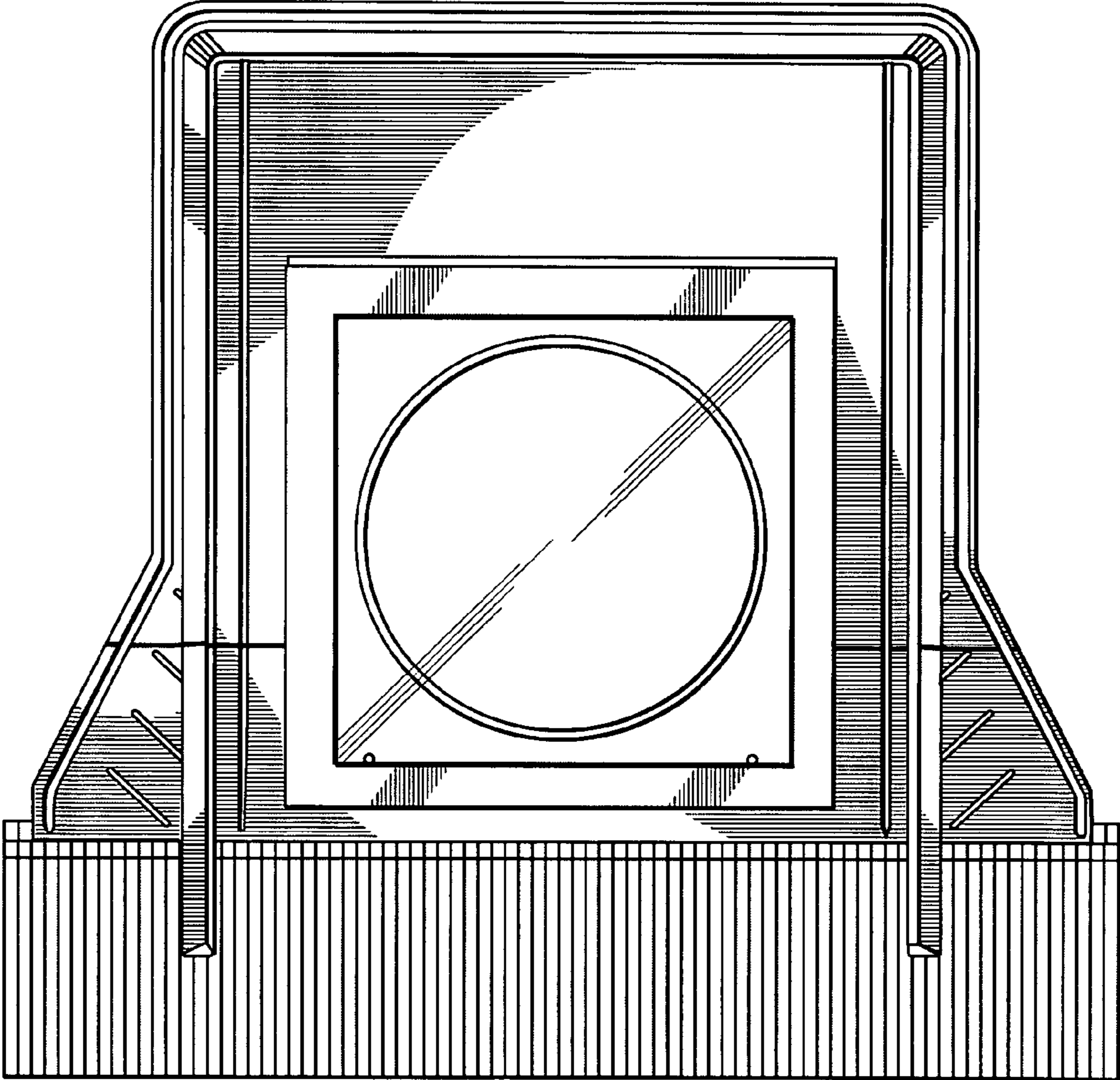


FIG. 2

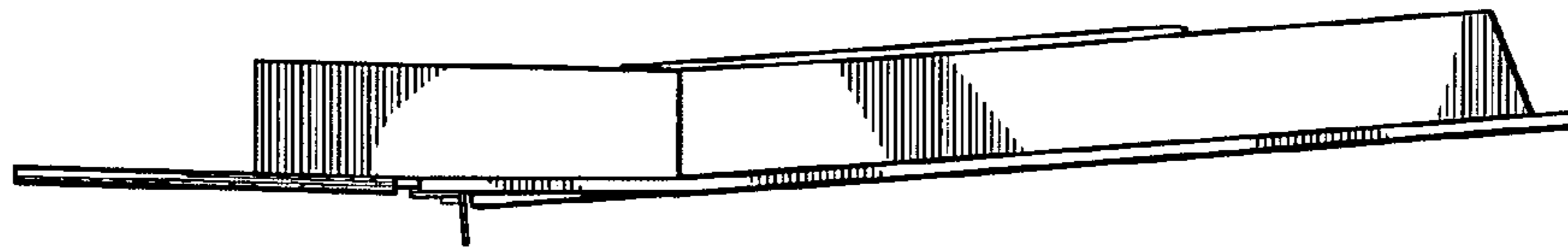


FIG. 3

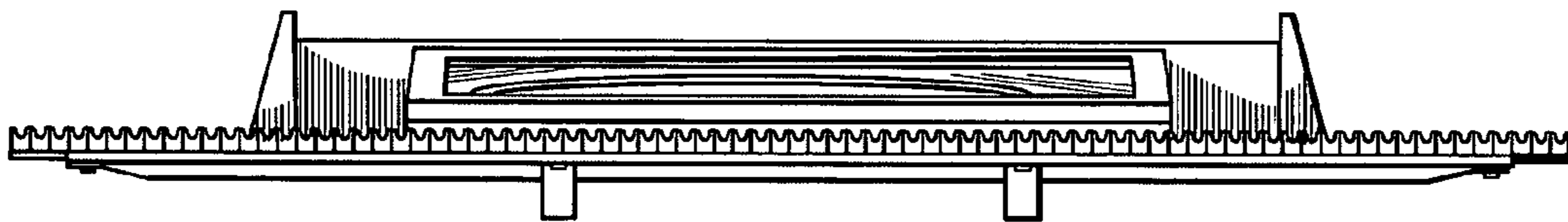


FIG. 4

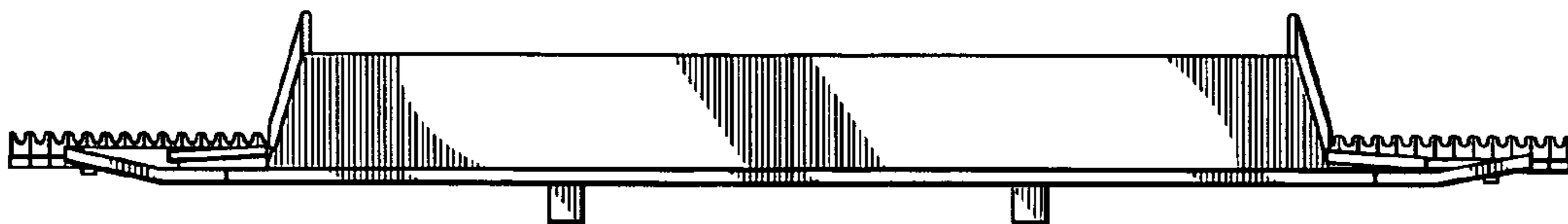


FIG. 5

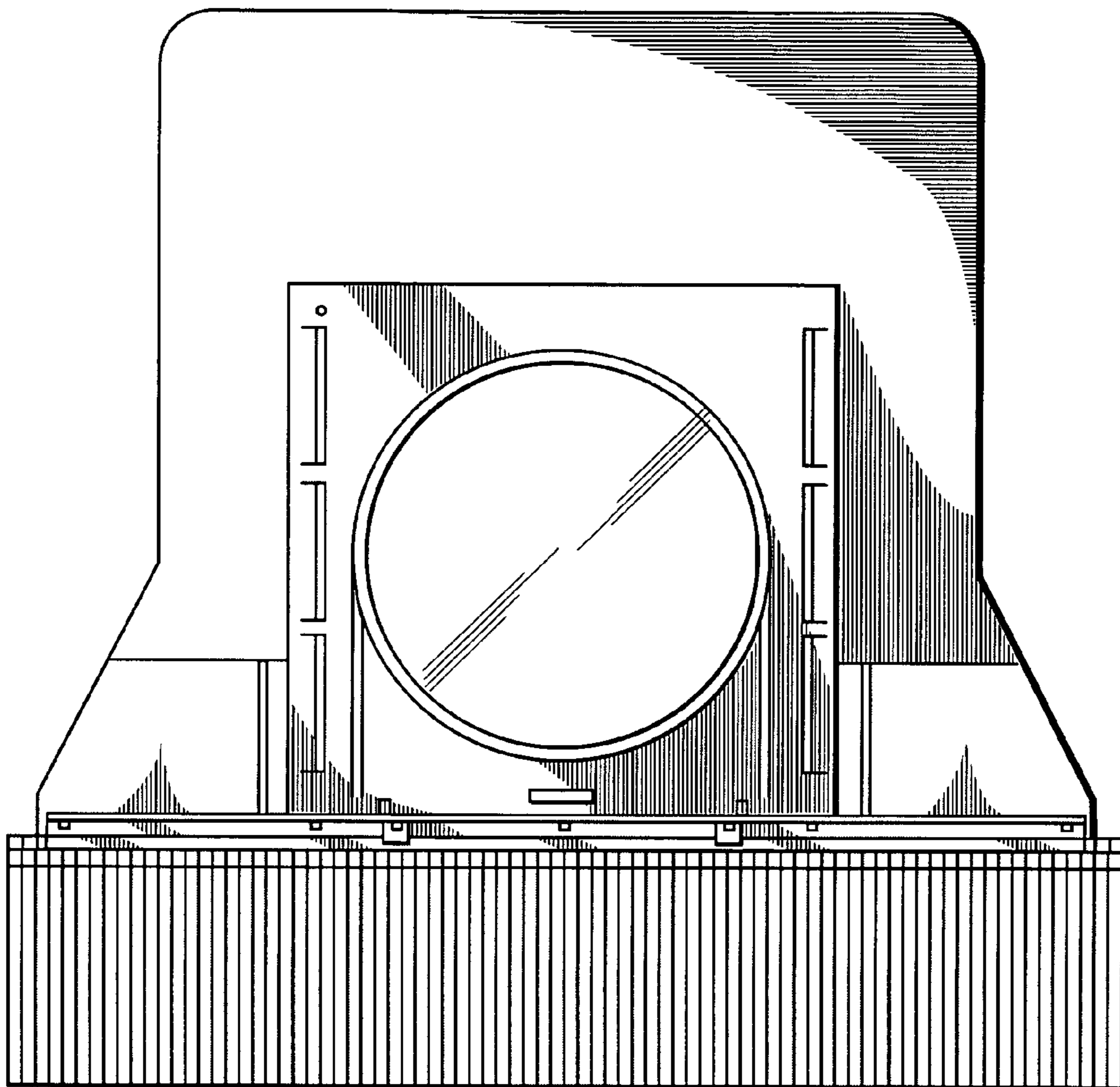


FIG. 6

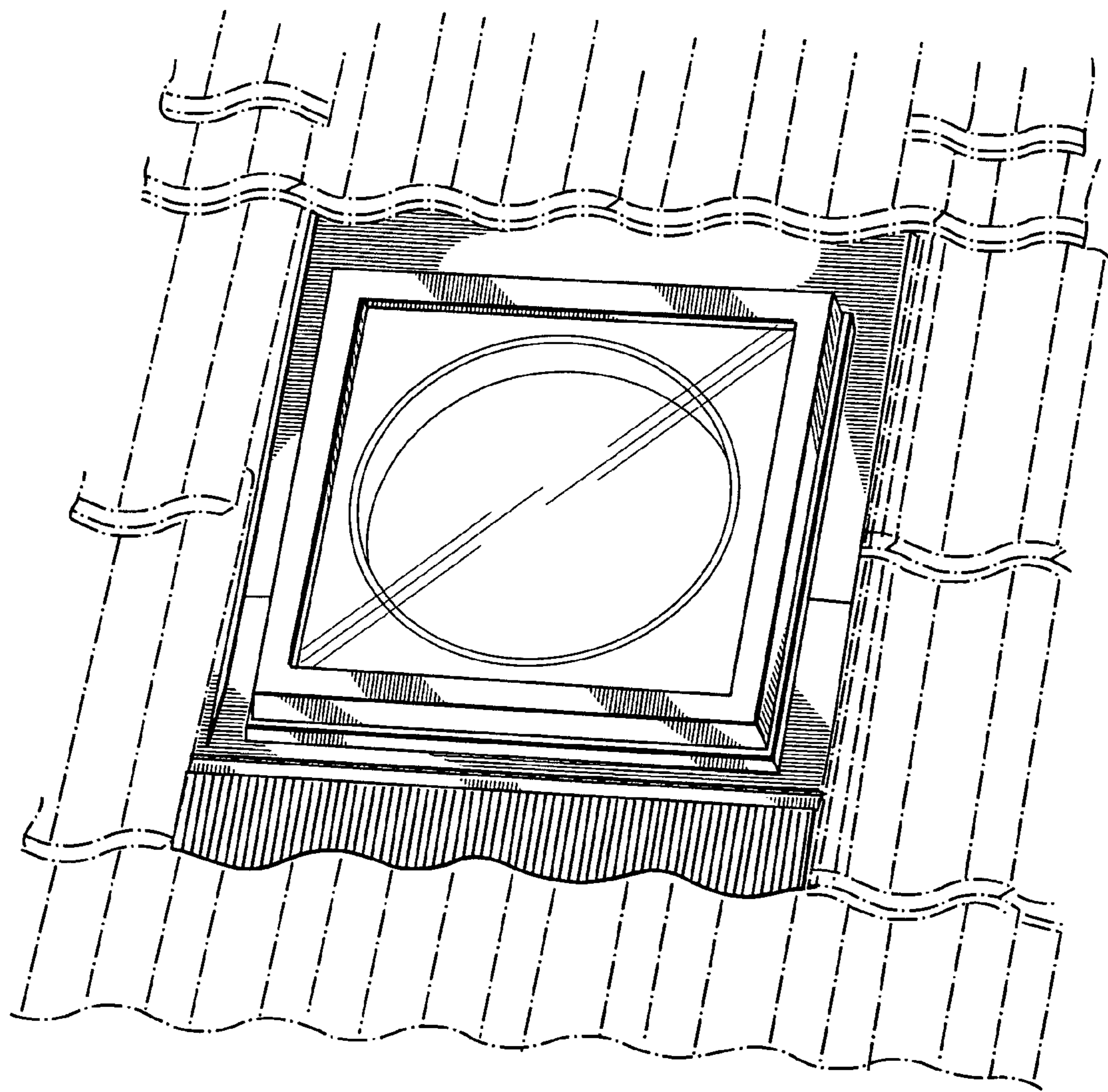


FIG. 7