



US00D582048S

(12) **United States Design Patent**
Chiu

(10) **Patent No.:** **US D582,048 S**

(45) **Date of Patent:** **** Dec. 2, 2008**

(54) **COLD AND HOT BEAUTY TRANSMITTER**

D568,473 S * 5/2008 Ashiwa et al. D24/146
D569,523 S * 5/2008 Hsieh D24/214

(76) Inventor: **Dennis Chiu**, No. 343, Xi-Shi Rd., Feng Yuan City, Taichung County 42061 (TW)

* cited by examiner

(**) Term: **14 Years**

Primary Examiner—Cathron C Brooks

Assistant Examiner—Melanie Levy

(21) Appl. No.: **29/283,047**

(74) *Attorney, Agent, or Firm*—Banger Shia

(22) Filed: **Aug. 4, 2007**

(57) **CLAIM**

(51) **LOC (8) Cl.** **28-03**

The ornamental design for a cold and hot beauty transmitter, as shown and described.

(52) **U.S. Cl.** **D24/206; D24/215; D24/200**

(58) **Field of Classification Search** D24/200,

D24/206, 207, 214, 215; 601/1, 15, 46, 48,

601/64, 80; 607/96, 98, 99, 1; D28/9

See application file for complete search history.

DESCRIPTION

FIG. 1 is a perspective view of a cold and hot beauty transmitter showing my new design;

FIG. 2 is a front elevational view thereof;

FIG. 3 is a rear elevational view thereof;

FIG. 4 is a left side elevational view thereof;

FIG. 5 is a right side elevational view thereof;

FIG. 6 is a top plan view thereof; and,

FIG. 7 is a bottom plan view thereof.

The broken lines shown in FIG. 7 represent unclaimed portions of the design and form no part thereof.

(56) **References Cited**

U.S. PATENT DOCUMENTS

D207,080 S * 2/1967 McNair D24/206

D209,643 S * 12/1967 Mozneck 601/15

D322,676 S * 12/1991 Chambers D24/206

D323,562 S * 1/1992 Tsou D24/206

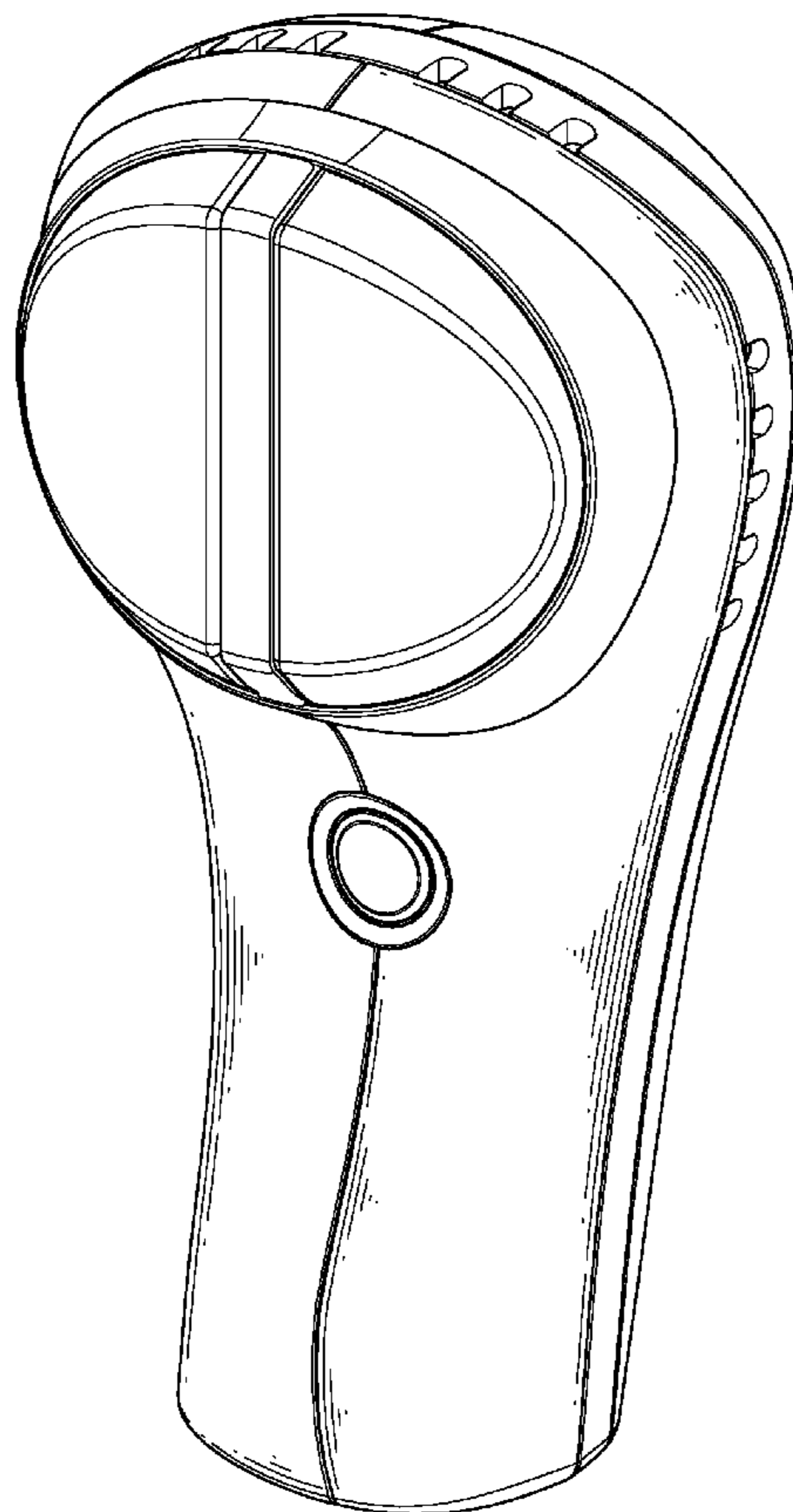
5,176,130 A * 1/1993 Kim 601/15

D333,351 S * 2/1993 Tsou D24/206

D414,582 S * 9/1999 Hwang D24/200

D474,843 S * 5/2003 McQueen D24/215

1 Claim, 6 Drawing Sheets



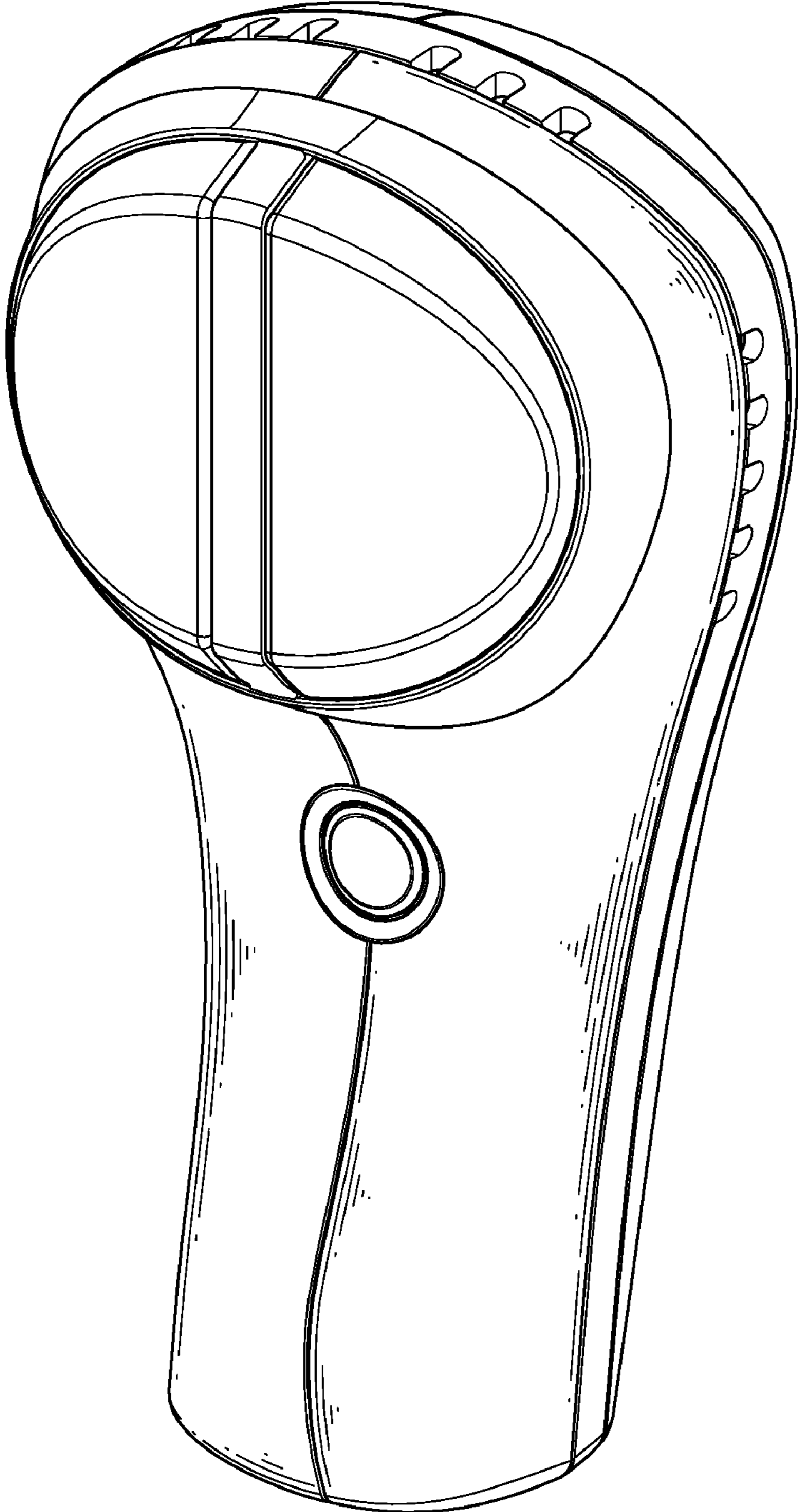


FIG. 1

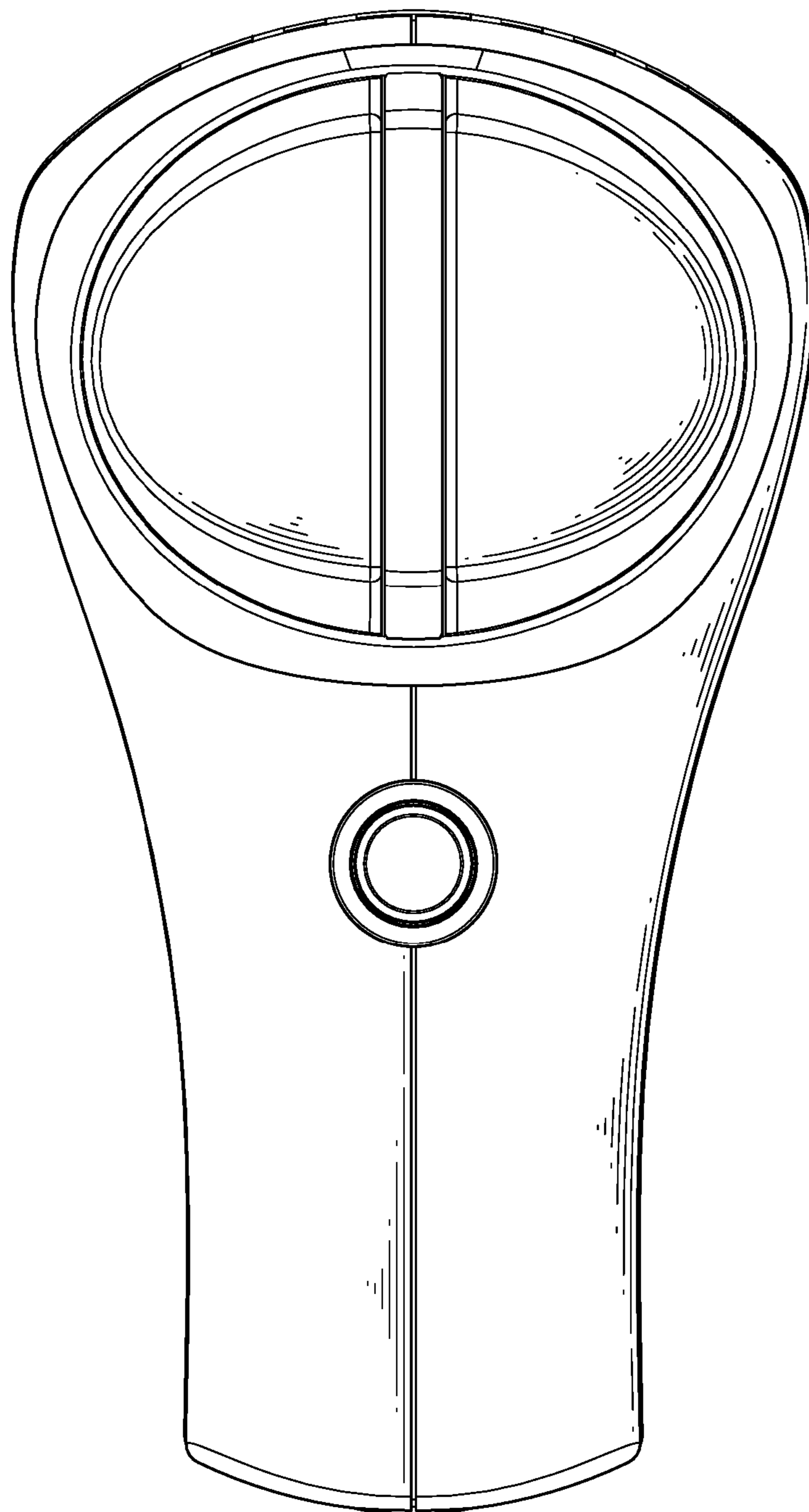


FIG. 2

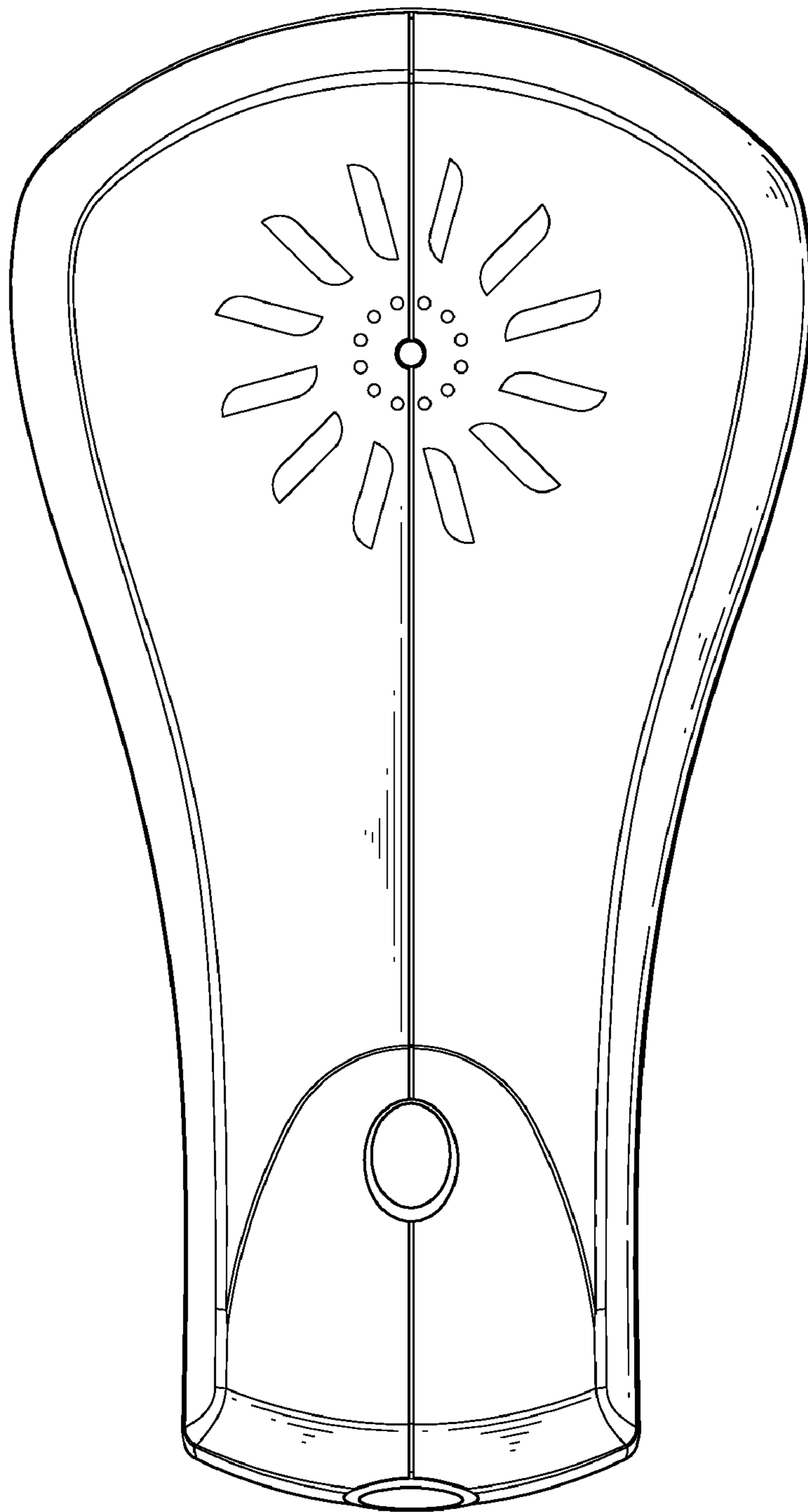


FIG. 3

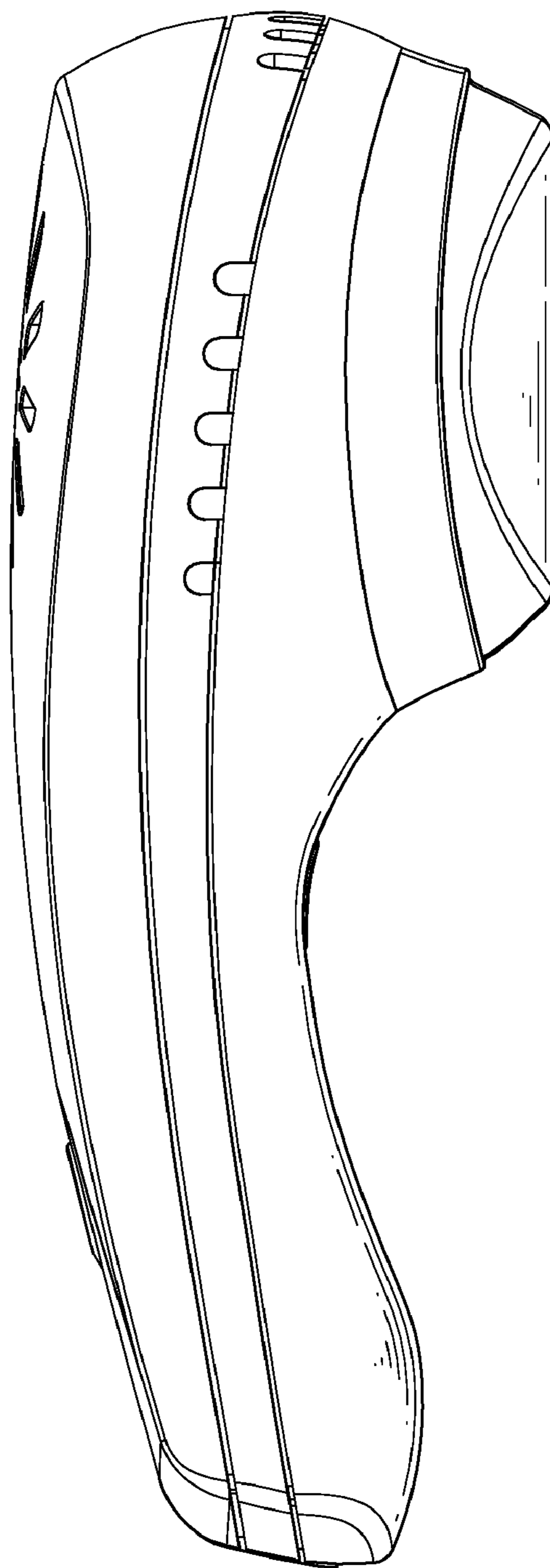


FIG. 4

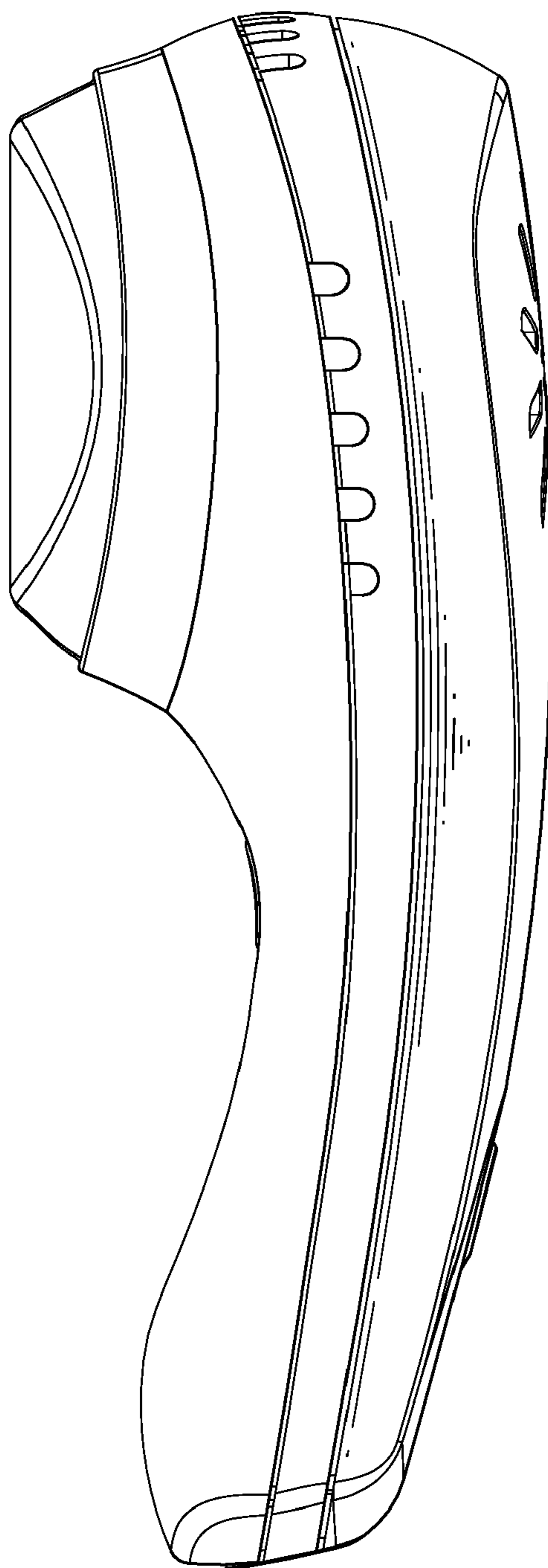


FIG. 5

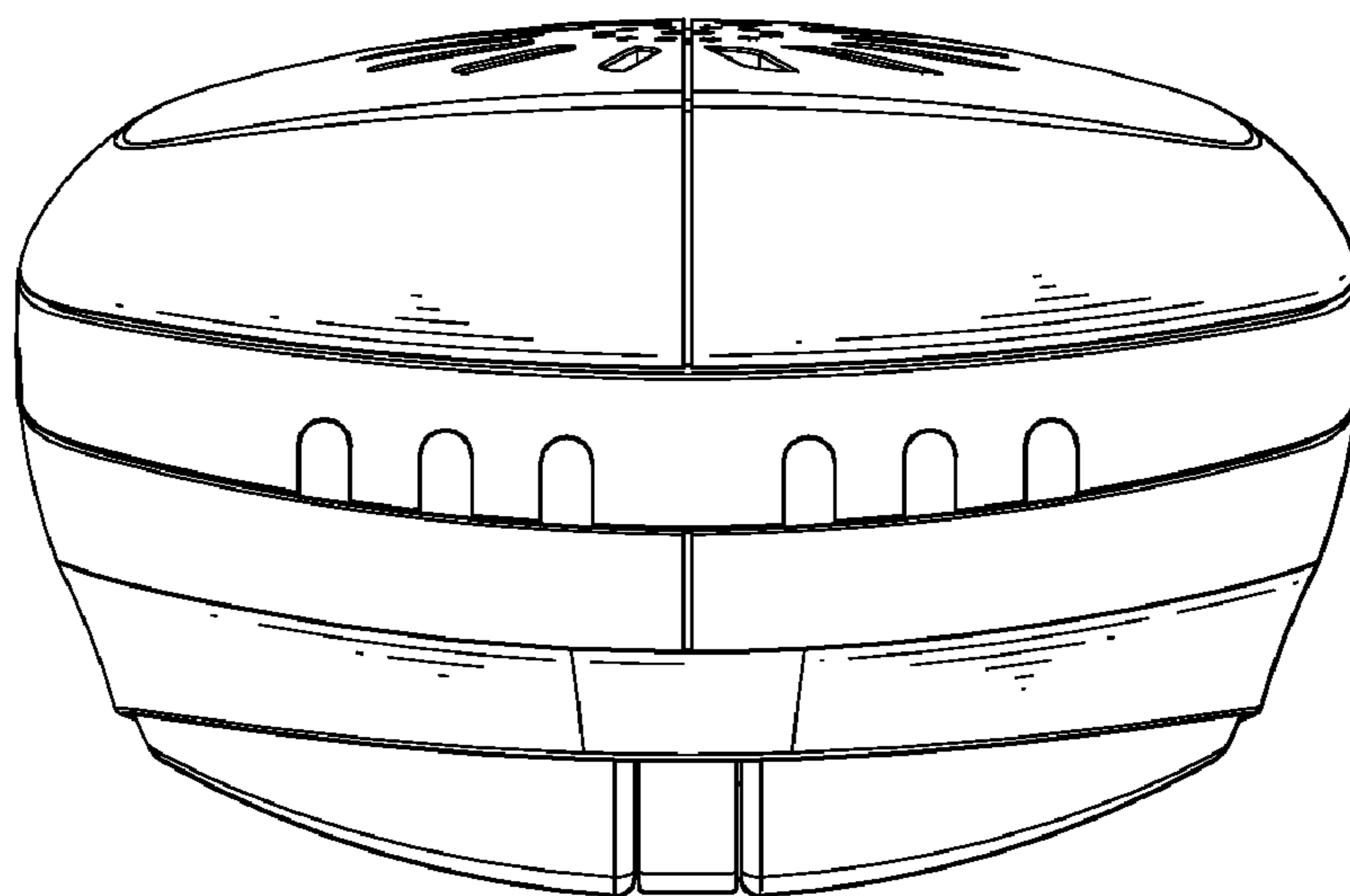


FIG. 6

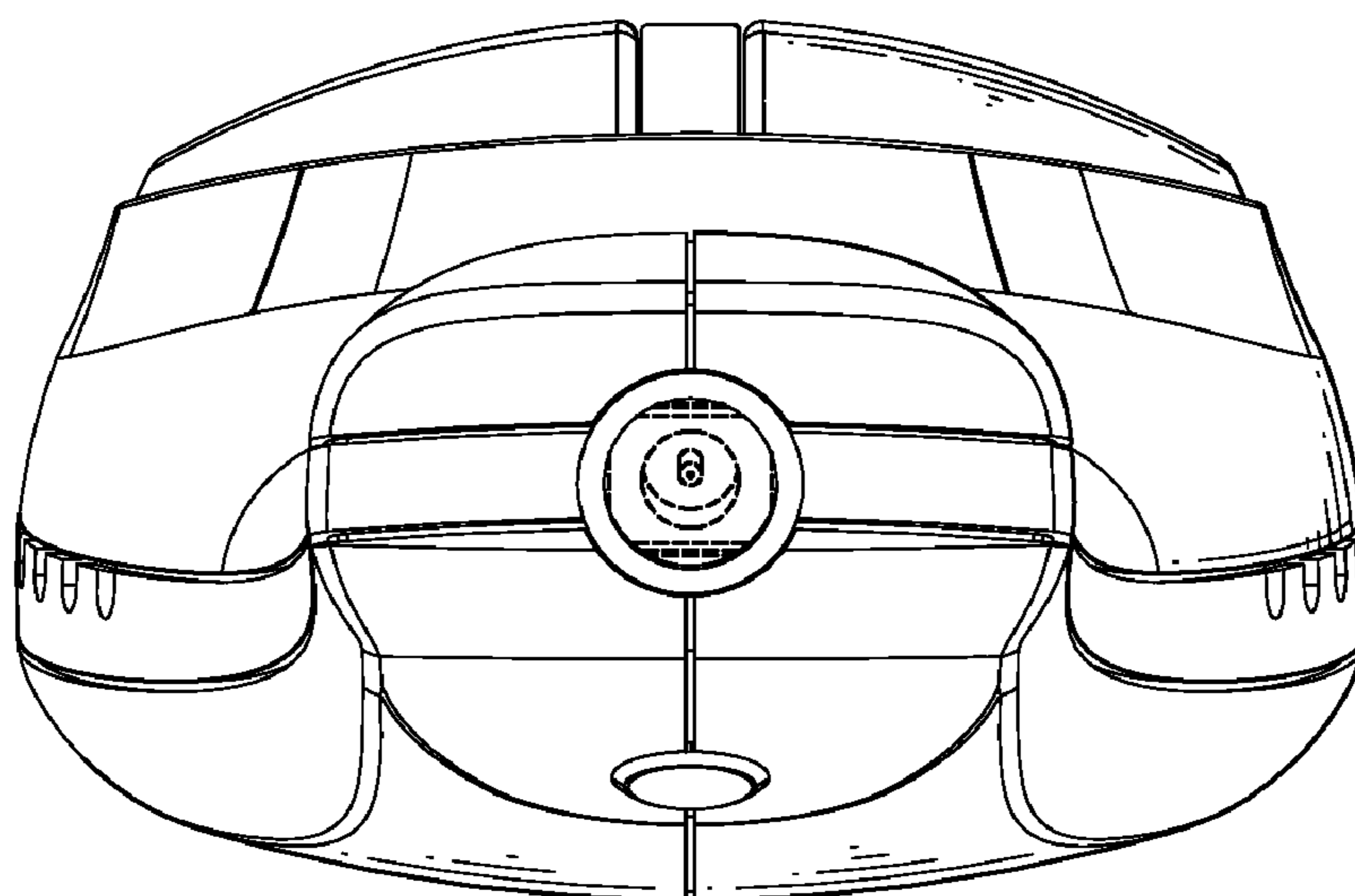


FIG. 7