



US00D582047S

(12) **United States Design Patent**
Yim

(10) **Patent No.:** **US D582,047 S**
(45) **Date of Patent:** **** Dec. 2, 2008**

(54) **CAPSULE WARMER**

(75) Inventor: **Daniel H. Yim**, Dalton, GA (US)

(73) Assignee: **Heatmax, Inc.**, Dalton, GA (US)

(**) Term: **14 Years**

(21) Appl. No.: **29/257,664**

(22) Filed: **Apr. 7, 2006**

(51) **LOC (8) Cl.** **24-04**

(52) **U.S. Cl.** **D24/206**

(58) **Field of Classification Search** D24/200,
D24/206-207, 189, 190; 607/96, 108-111,
607/114; 126/263.02

See application file for complete search history.

(56) **References Cited**

U.S. PATENT DOCUMENTS

4,913,957	A	4/1990	Strack et al.	442/226
5,046,479	A *	9/1991	Usui	126/204
D325,637	S *	4/1992	O'Brien et al.	D24/206
5,366,492	A *	11/1994	Ueki	607/114
5,405,671	A *	4/1995	Kamin et al.	428/69
5,425,975	A	6/1995	Koiso et al.	428/74
5,741,318	A	4/1998	Ouellette et al.	607/108
5,837,005	A *	11/1998	Viltro et al.	607/112
5,904,710	A	5/1999	Davis et al.	607/108
5,906,637	A	5/1999	Davis et al.	607/108
5,918,590	A	7/1999	Burkett et al.	126/263.02
5,925,072	A	7/1999	Cramer et al.	607/108
5,954,680	A *	9/1999	Augustine	602/42
5,980,562	A	11/1999	Ouellette et al.	607/108
5,984,995	A	11/1999	White	75/230
6,019,782	A	2/2000	Davis et al.	607/96
6,020,040	A	2/2000	Cramer et al.	428/64.1
6,024,761	A	2/2000	Barone et al.	607/108
6,048,326	A	4/2000	Davis et al.	602/26

6,074,413	A	6/2000	Davis et al.	607/108
6,096,067	A	8/2000	Cramer et al.	607/96
6,102,937	A	8/2000	Cramer et al.	607/109
6,123,717	A	9/2000	Davis et al.	607/109
6,146,732	A	11/2000	Davis et al.	428/64.1
6,264,681	B1 *	7/2001	Usui	607/111
6,336,935	B1	1/2002	Davis et al.	607/112
6,436,020	B1	8/2002	Weingand	482/148
D467,006	S *	12/2002	Knight et al.	D24/206
D472,321	S *	3/2003	Davis et al.	D24/206
D526,720	S *	8/2006	Dodo et al.	D24/206
7,179,280	B2 *	2/2007	Mills	607/108
2007/0034202	A1 *	2/2007	Pumphrey et al.	126/263.01

* cited by examiner

Primary Examiner—Adir Aronovich

Assistant Examiner—Wan Laymon

(74) *Attorney, Agent, or Firm*—Thomas, Kayden, Horstemeyer & Risley, LLP

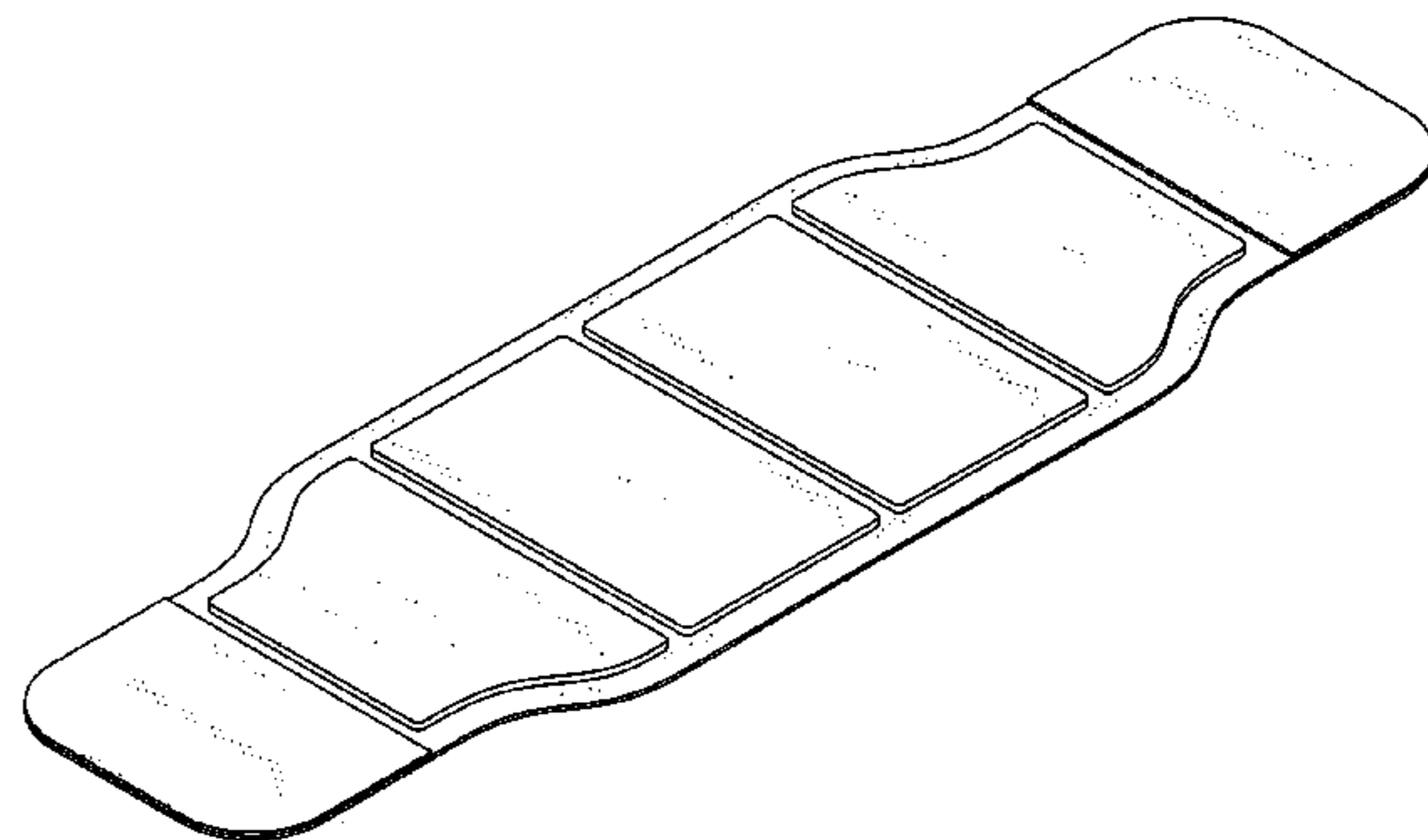
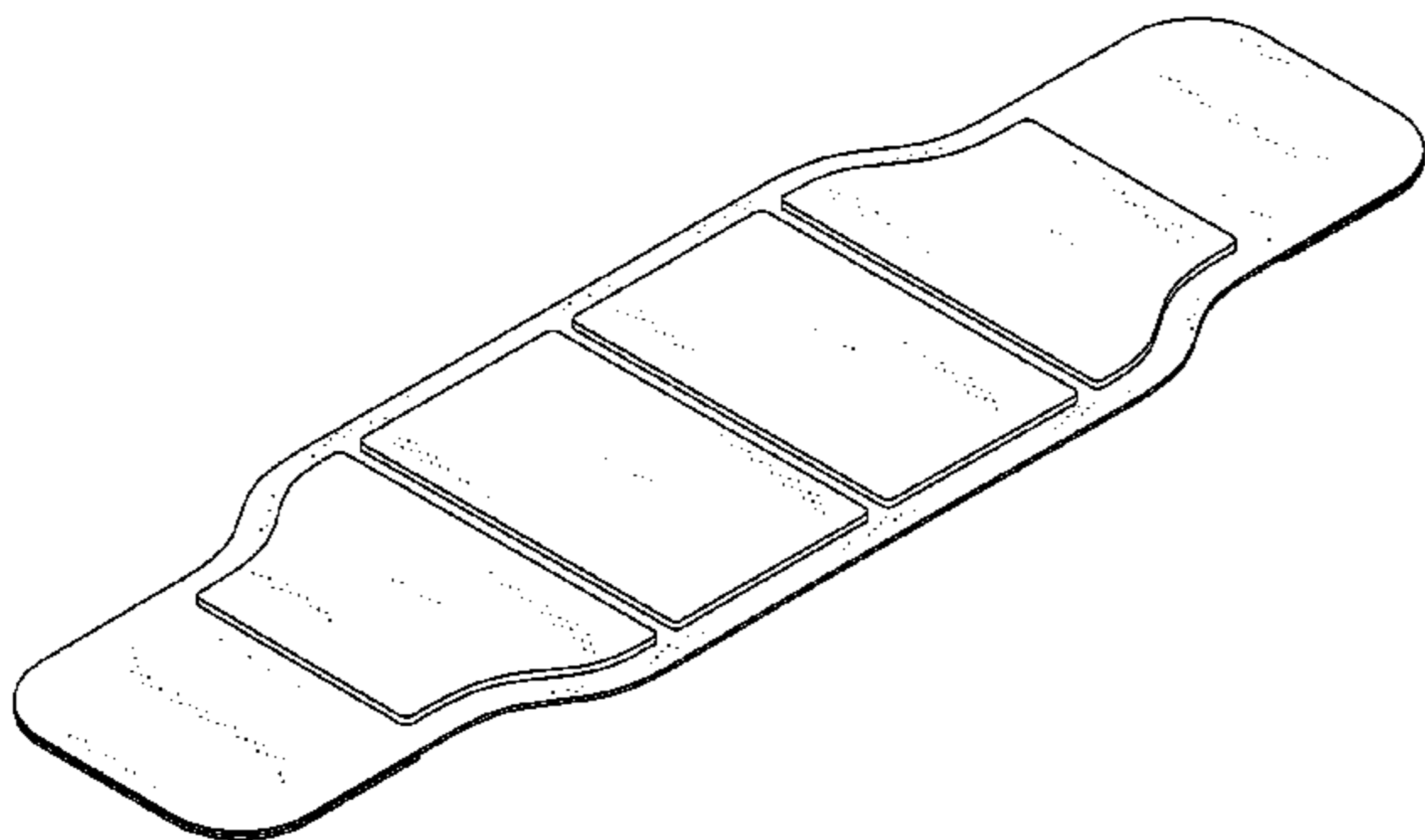
(57) **CLAIM**

The ornamental design for a capsule warmer, as shown and described.

DESCRIPTION

FIG. 1 is a bottom perspective view of a capsule warmer;
FIG. 2 is a top perspective view of the capsule warmer;
FIG. 3 is a bottom plan view of the capsule warmer;
FIG. 4 is a top plan view of the capsule warmer;
FIG. 5 is a front elevational view of the capsule warmer;
FIG. 6 is a rear elevational view of the capsule warmer;
FIG. 7 is a left side elevational view of the capsule warmer;
and,
FIG. 8 is a right side elevational view of the capsule warmer.

1 Claim, 3 Drawing Sheets



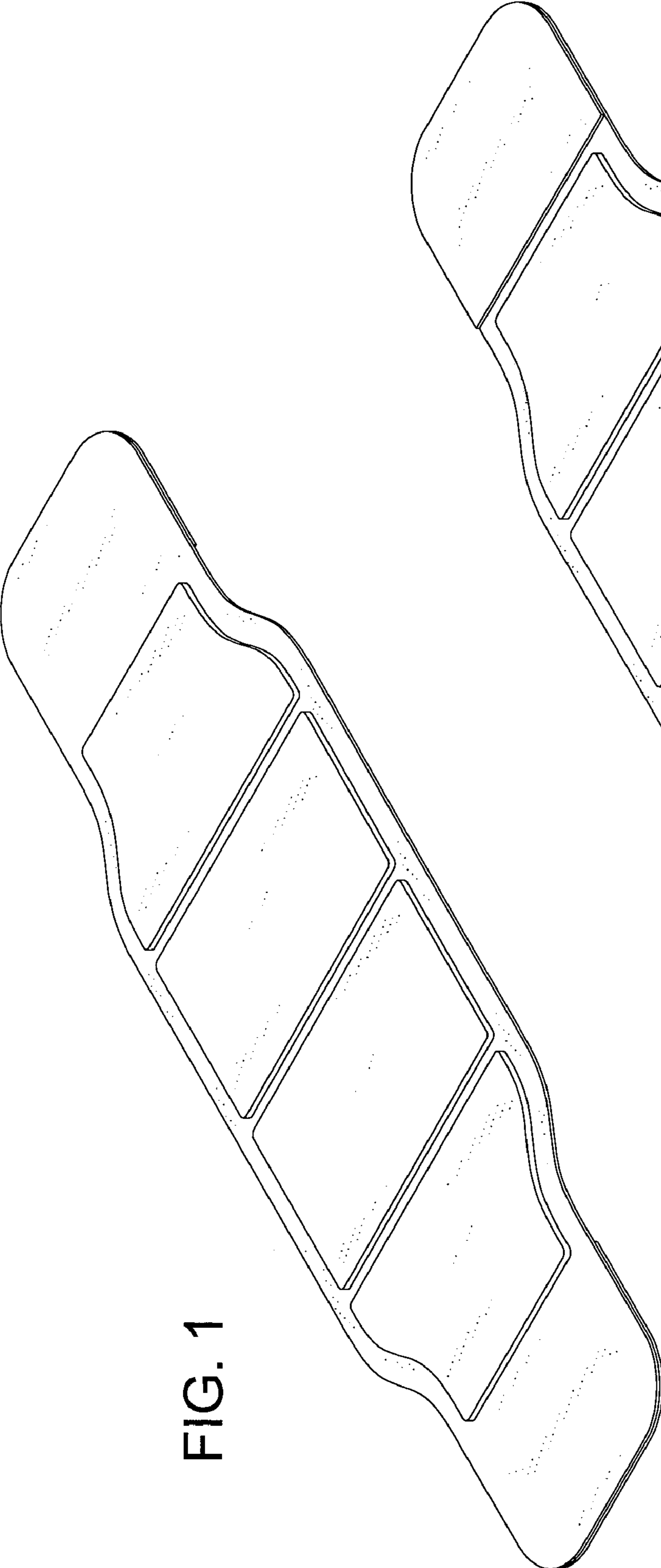


FIG. 1

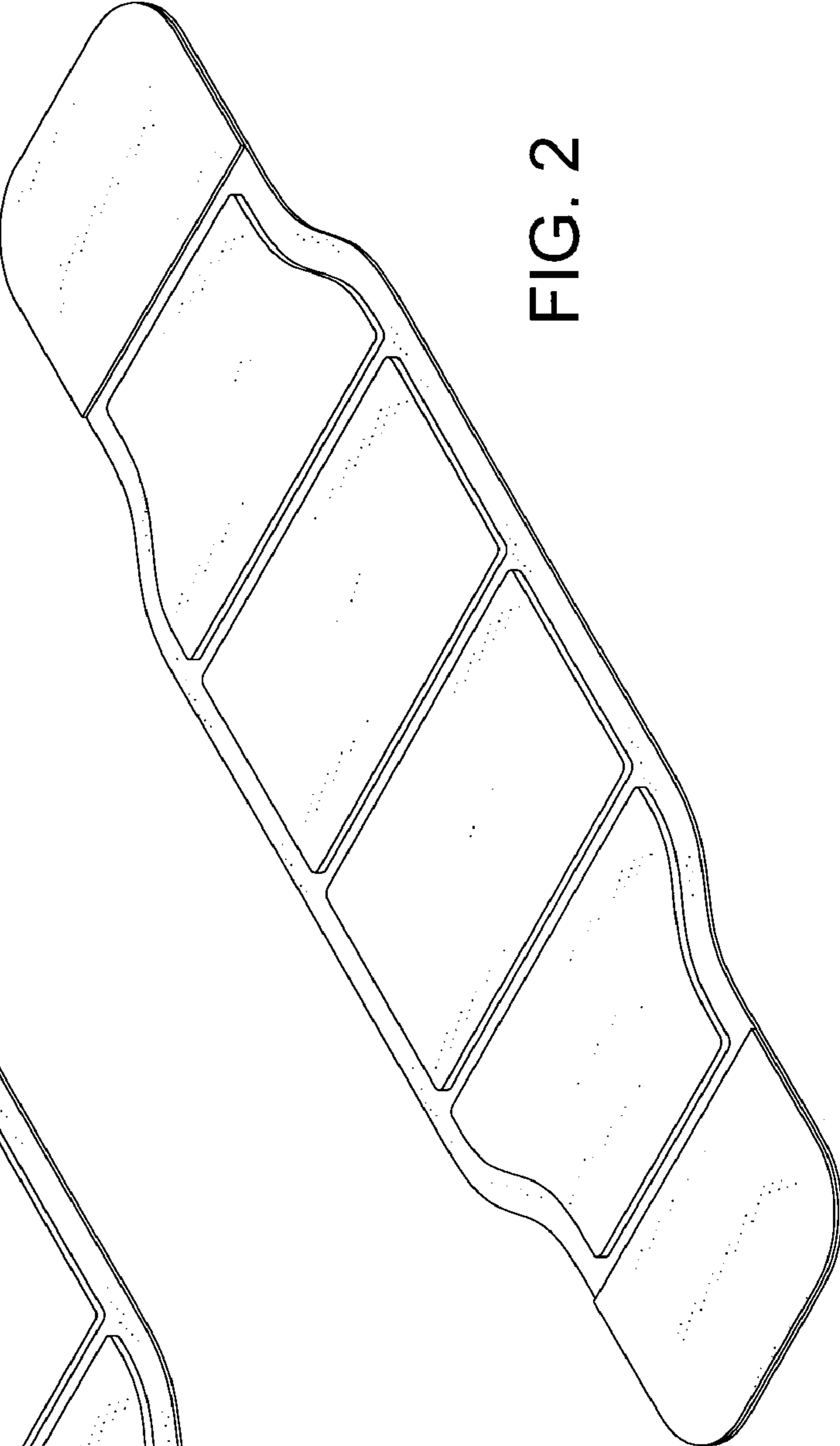


FIG. 2

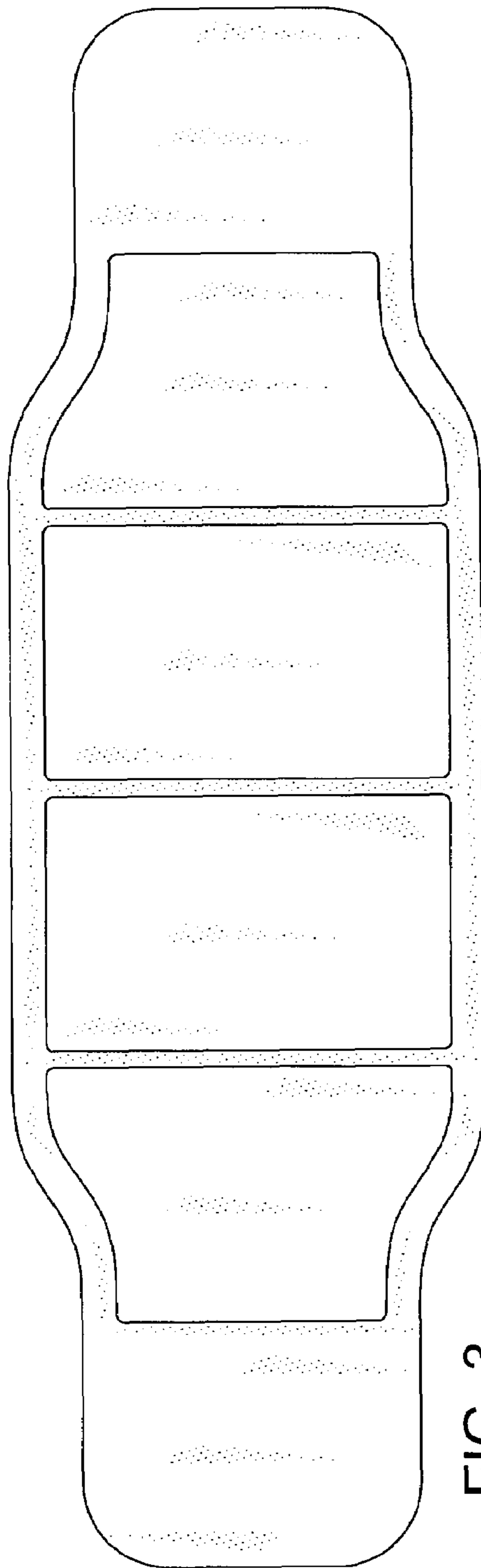


FIG. 3

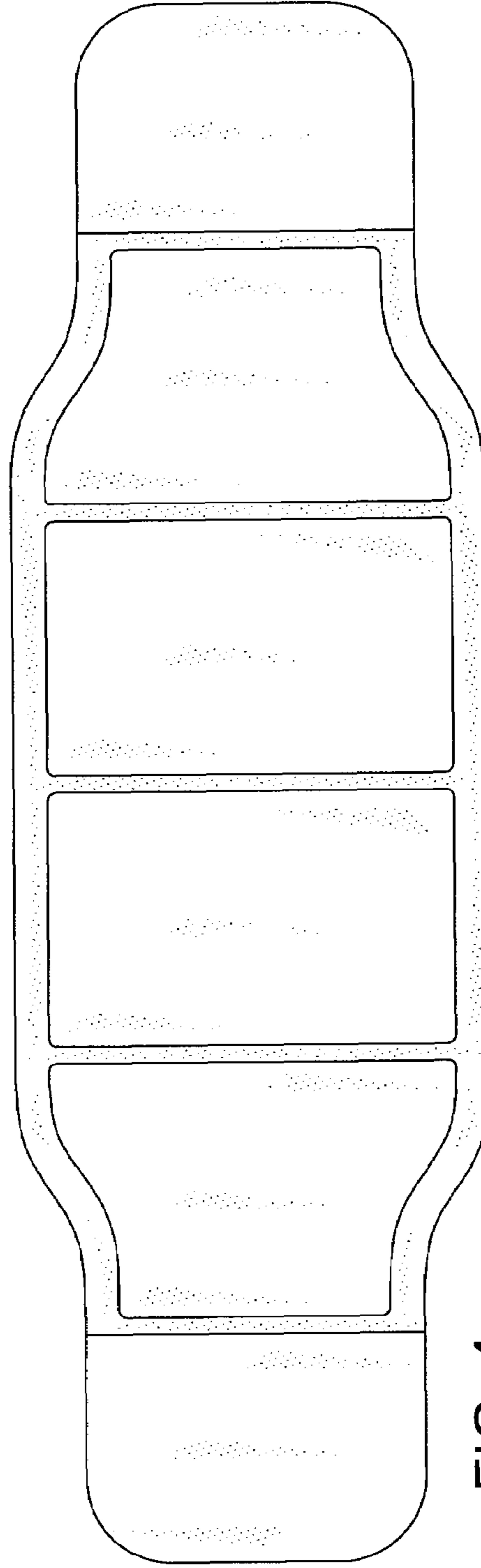


FIG. 4



FIG. 5

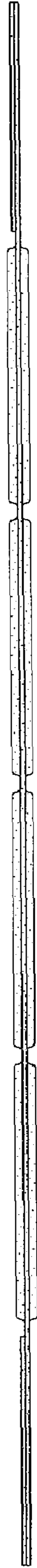


FIG. 6



FIG. 8



FIG. 7