



US00D582046S

(12) **United States Design Patent**  
**Rohrig**

(10) **Patent No.:** **US D582,046 S**  
(45) **Date of Patent:** **\*\* Dec. 2, 2008**

(54) **PACIFIER**

(75) Inventor: **Peter Rohrig**, Vienna (AT)

(73) Assignee: **MAM Babyartikel Gesellschaft M. B. H.**, Vienna (AT)

(\*\*) Term: **14 Years**

(21) Appl. No.: **29/271,277**

(22) Filed: **Jan. 12, 2007**

(30) **Foreign Application Priority Data**

Jul. 13, 2006 (AT) ..... A 1193/2006

(51) **LOC (8) Cl.** ..... **24-04**

(52) **U.S. Cl.** ..... **D24/194**

(58) **Field of Classification Search** ..... D24/193-199;  
606/234-236.2; 24/301; 215/11.1-11.6;  
248/102-107; 128/359-360; D9/436  
See application file for complete search history.

(56) **References Cited**

U.S. PATENT DOCUMENTS

2,831,484	A *	4/1958	Garner	.....	215/11.1
3,913,402	A *	10/1975	Doyle	.....	374/151
3,924,621	A *	12/1975	Cassimally	.....	606/236
4,545,378	A *	10/1985	Chrones	.....	606/236
D288,241	S *	2/1987	Fuller	.....	D24/196
D336,520	S *	6/1993	McDaniel	.....	D24/194
D339,197	S *	9/1993	Ziegler	.....	D24/196
D370,976	S *	6/1996	Lin	.....	D24/194
D376,014	S *	11/1996	McKenney	.....	D24/194
5,810,000	A *	9/1998	Stevens	.....	128/200.26
D418,604	S *	1/2000	Burym et al.	.....	D24/194
6,041,950	A *	3/2000	Soehnlein	.....	215/11.1
6,203,566	B1 *	3/2001	Alanen et al.	.....	606/234
6,454,788	B1 *	9/2002	Ashton	.....	606/234
7,029,491	B2 *	4/2006	Davis	.....	606/234
2002/0055760	A1 *	5/2002	Avital	.....	606/234
2004/0059382	A1 *	3/2004	Bergersen	.....	606/234

2007/0027478 A1\* 2/2007 Tesini et al. .... 606/234

FOREIGN PATENT DOCUMENTS

DE	200 01 256	4/2000
GB	130 747	8/1919
WO	96/20687	7/1996
WO	98/27928	7/1998
WO	02/064079	8/2002
WO	2004/087039	10/2004

\* cited by examiner

*Primary Examiner*—Robert M. Spear

*Assistant Examiner*—Susan E Krakower

(74) *Attorney, Agent, or Firm*—Ladas and Parry LLP

(57) **CLAIM**

I claim the ornamental design for a pacifier, as shown and described.

**DESCRIPTION**

FIG. 1 is a top plan view of a pacifier showing my new design;

FIG. 2. is a front elevational view thereof;

FIG. 3 is a left side elevational view, the right elevational view being a mirror image thereof;

FIG. 4 is a back elevational view thereof.

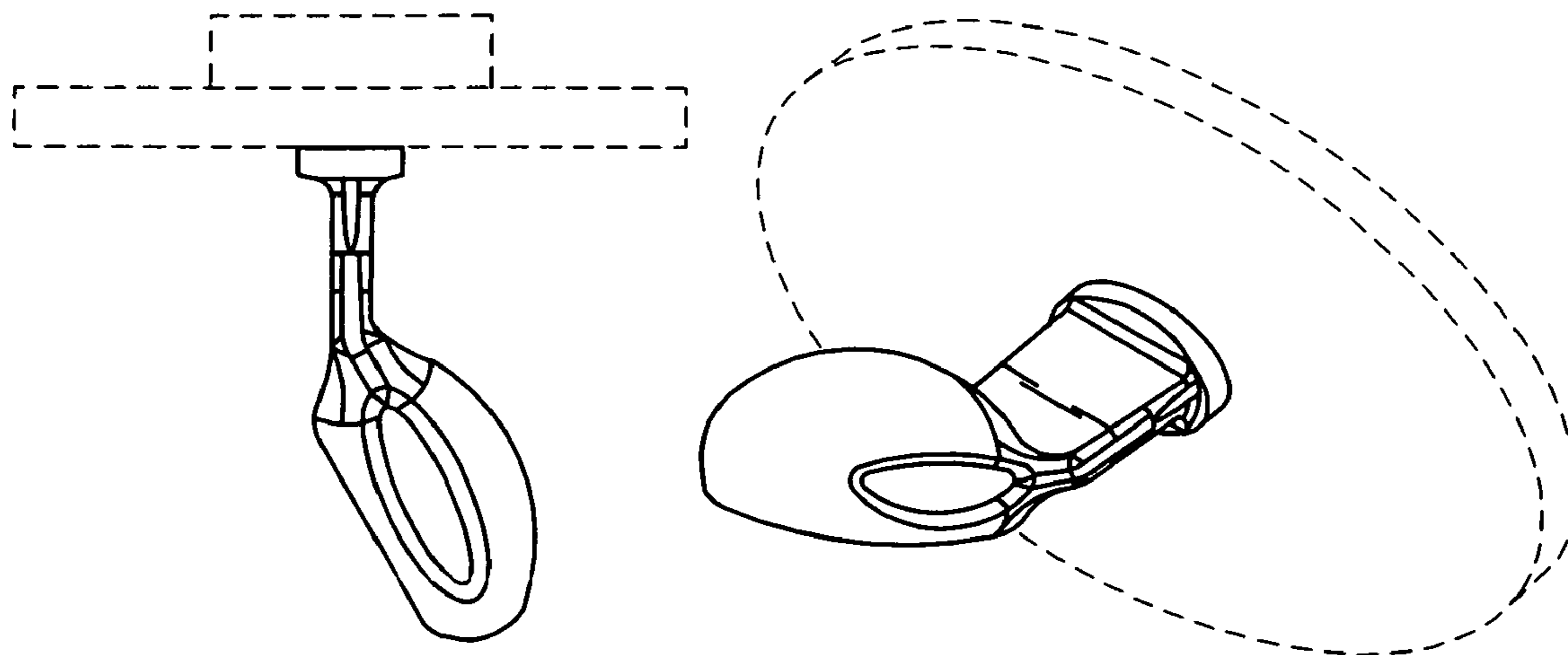
FIG. 5. is a bottom plan view thereof; and,

FIG. 6 is a perspective view thereof.

The broken line showing of a shield illustrates unclaimed environmental structure.

Protection is sought for the shape and ornamental features of the suction part. The shank of the suction part is not hollow but single-walled and thus rather thin, in addition slightly bended. The actual suction part has, seen from the front, a more ring-shape, and, seen from the side, it is curved (convex) on the upper side and flattened on the bottom side, with openings at the sides.

**1 Claim, 3 Drawing Sheets**



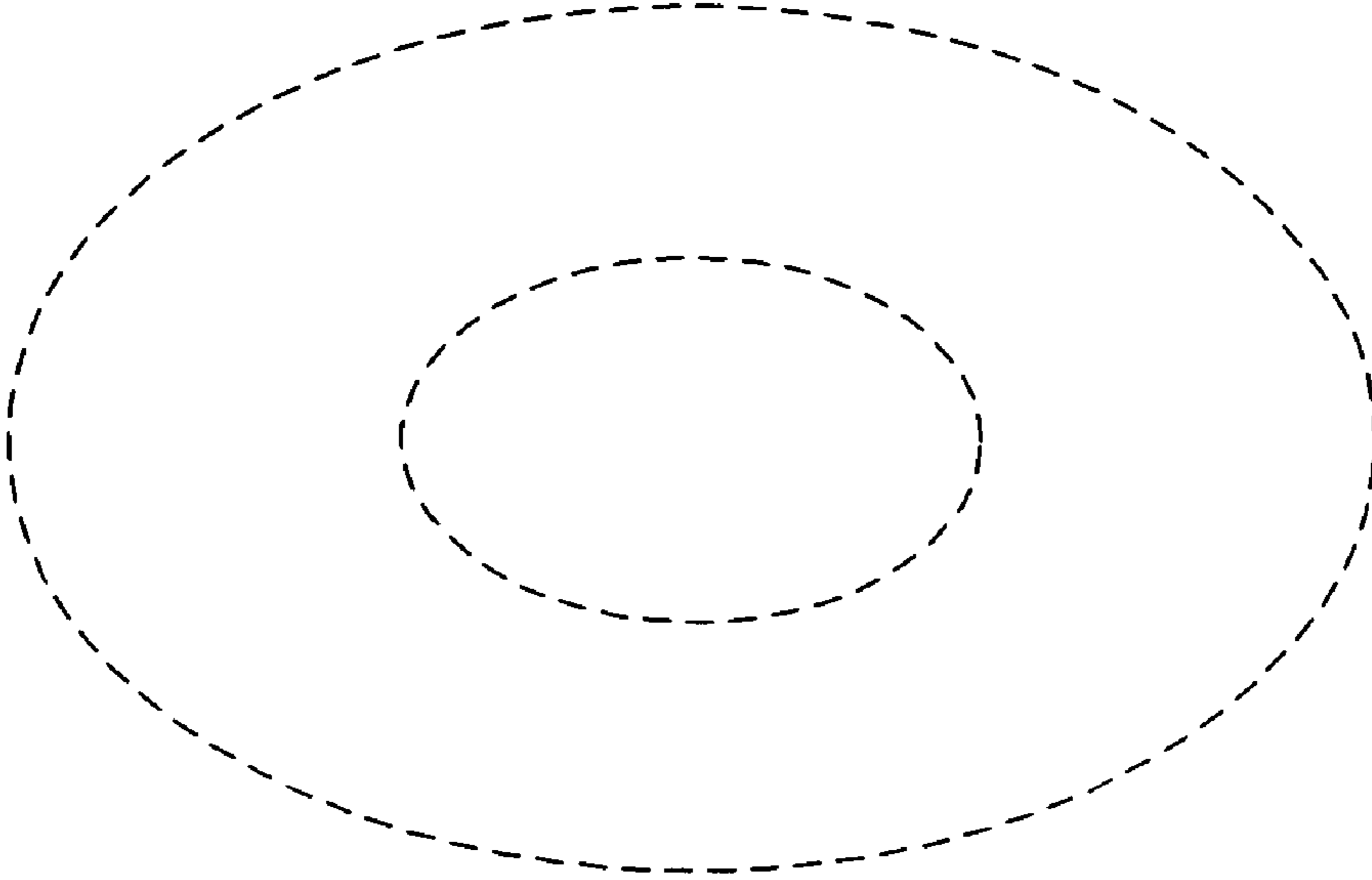


FIG. 1

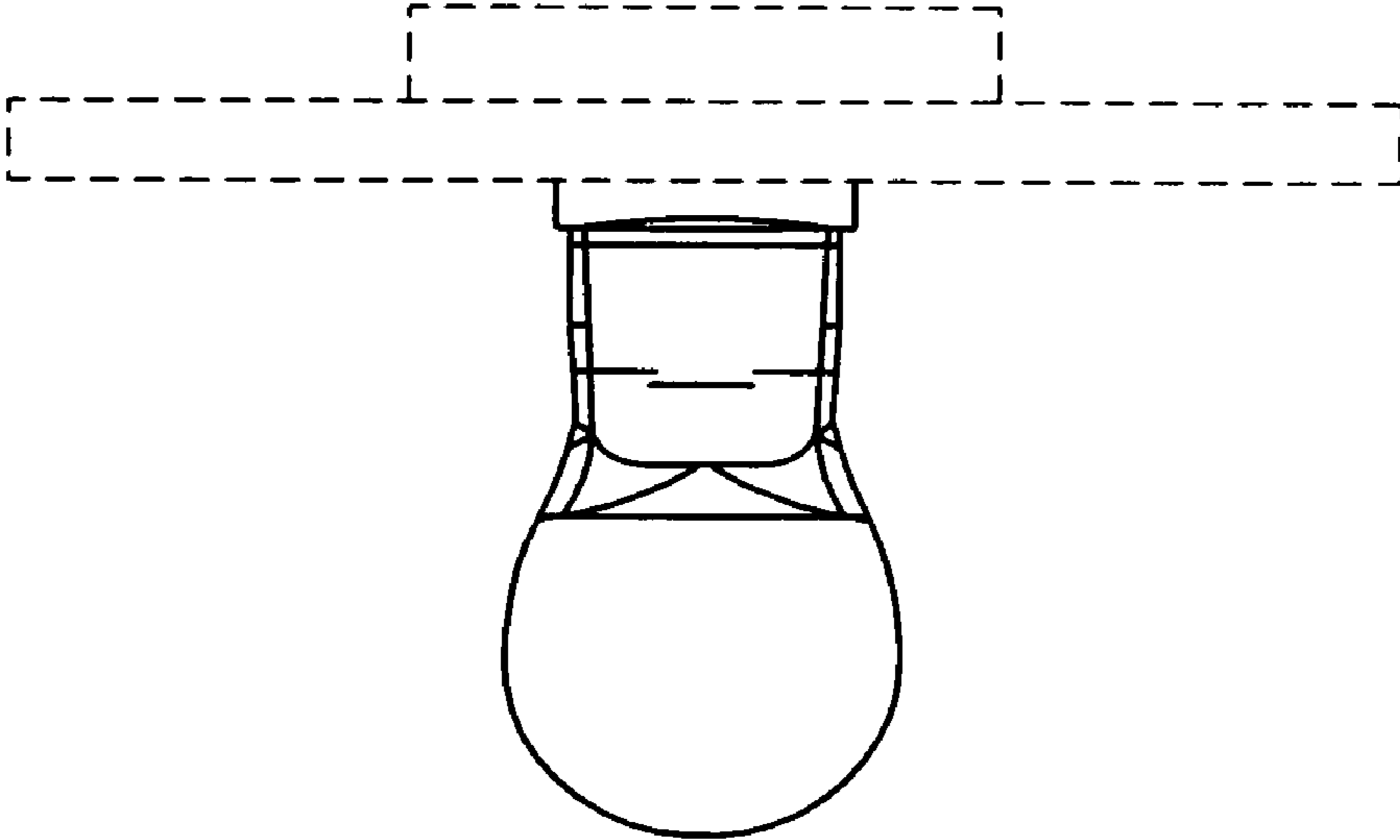


FIG. 2

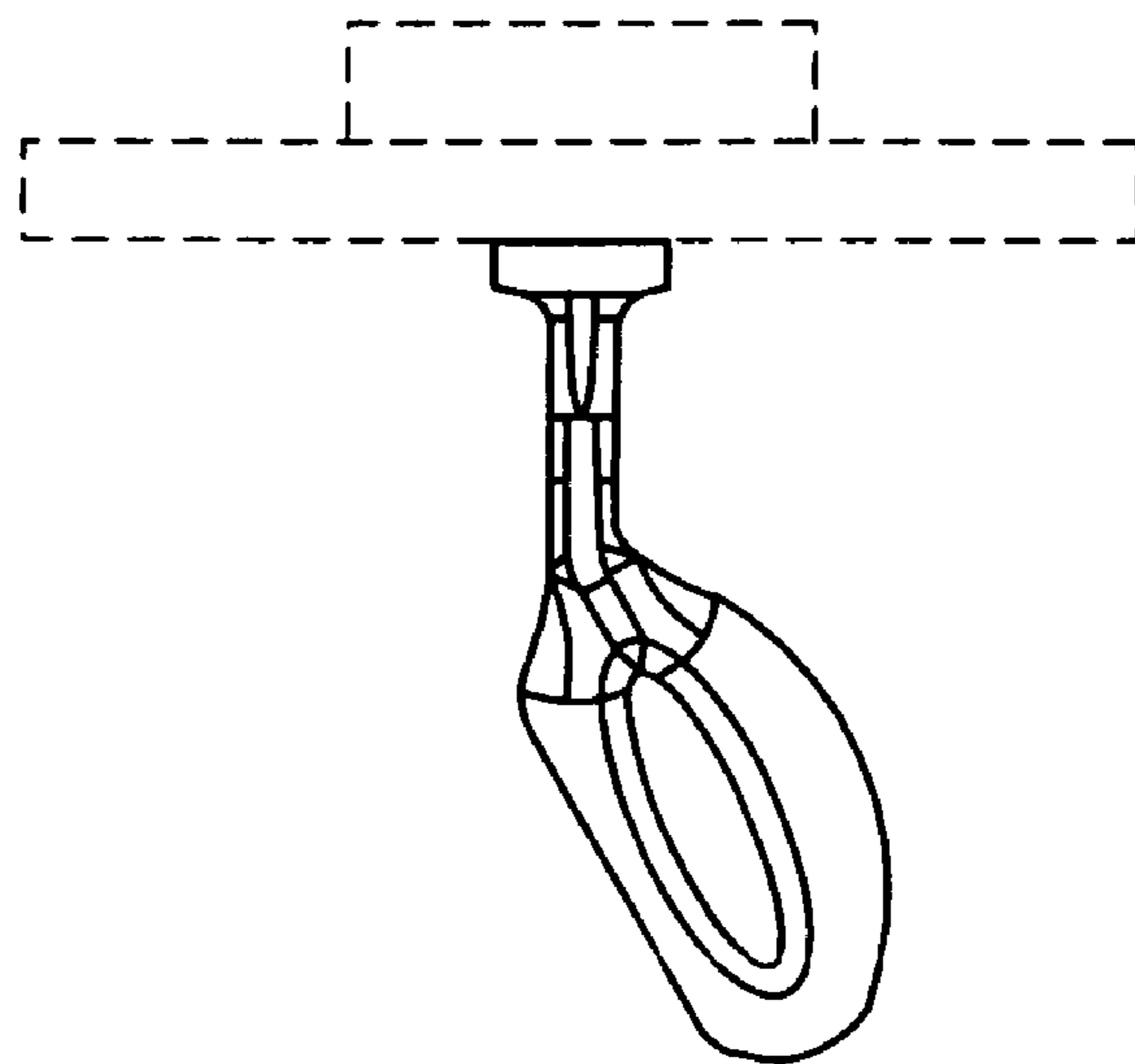


FIG. 3

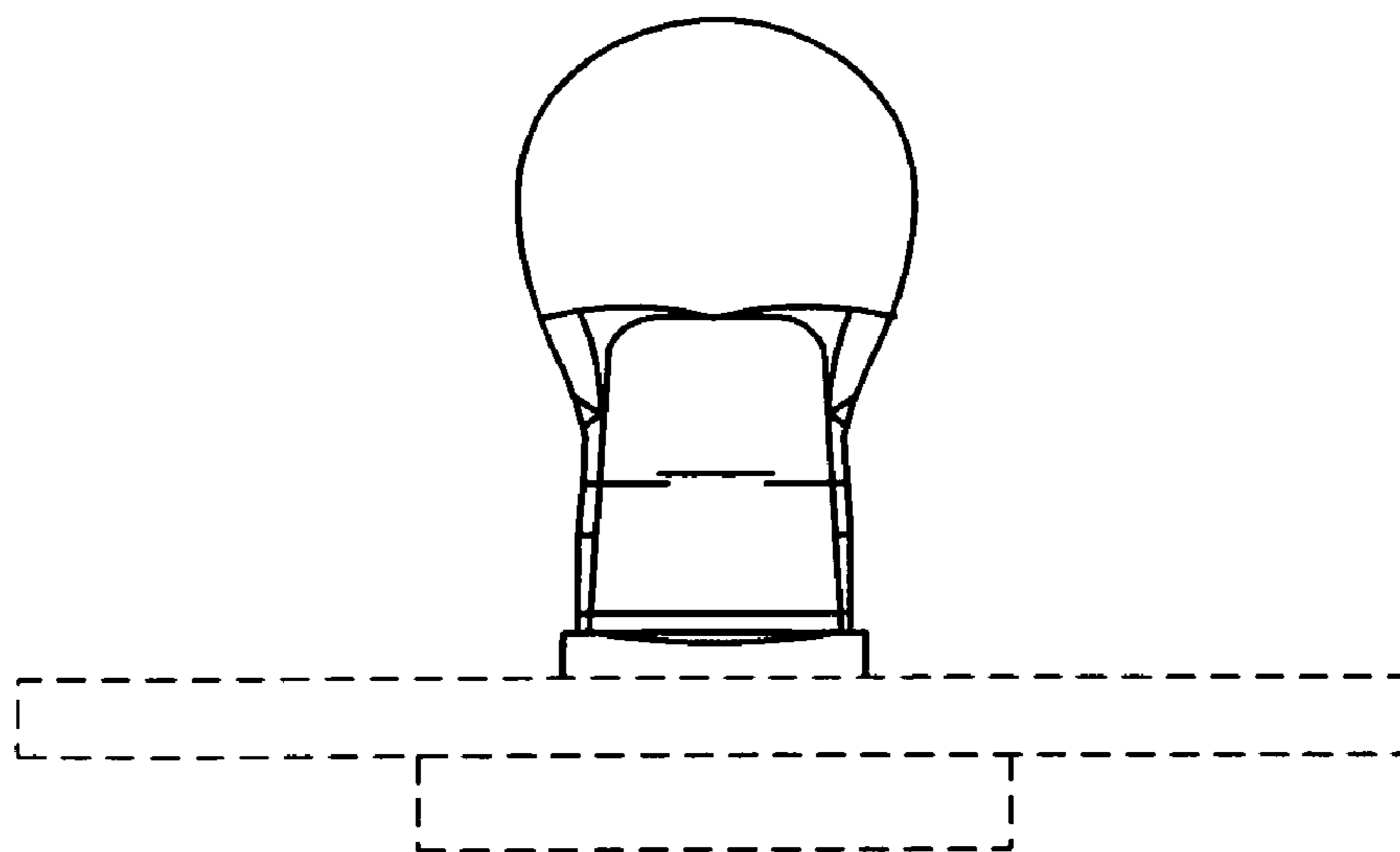


FIG. 4

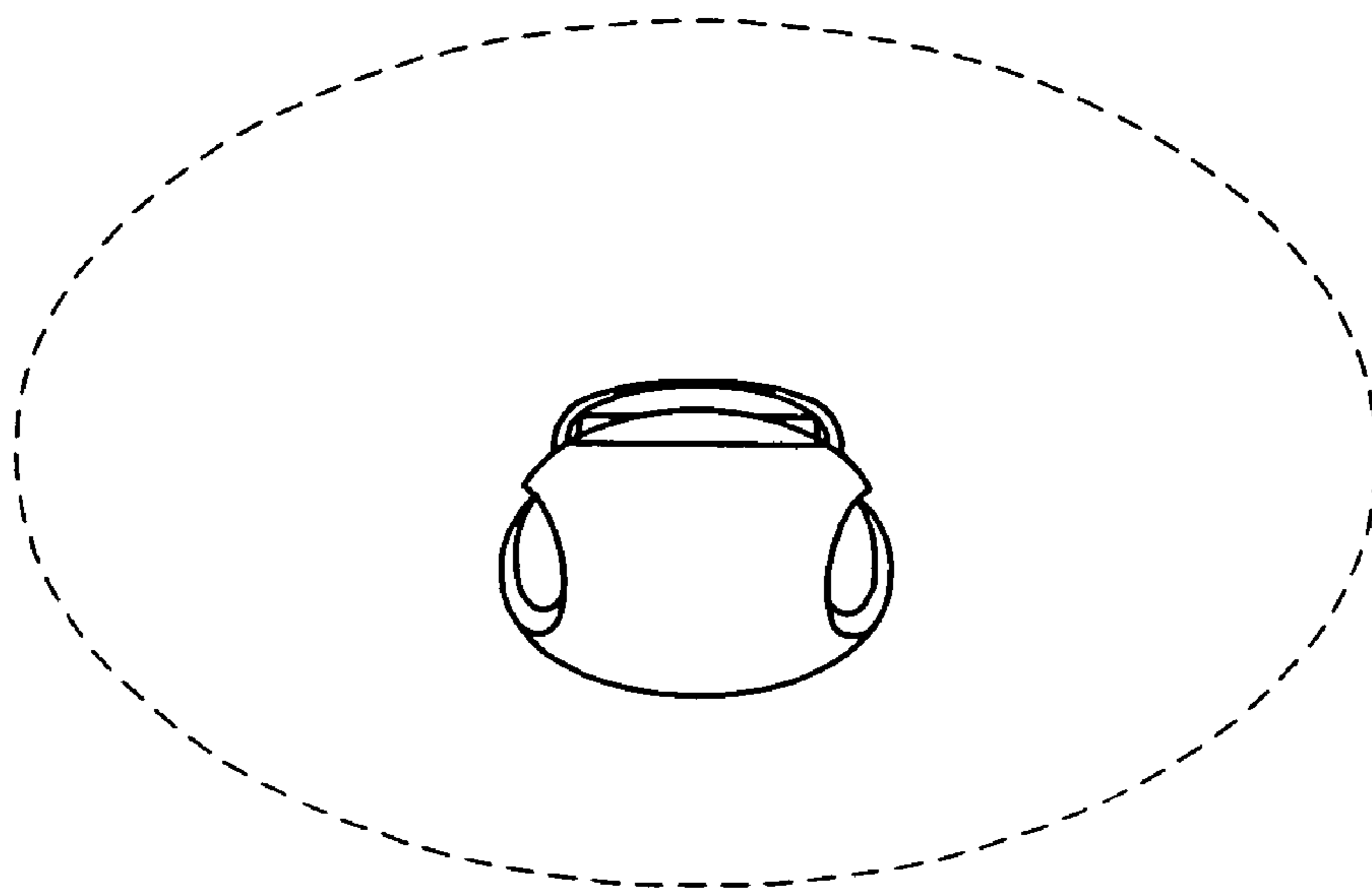


FIG. 5

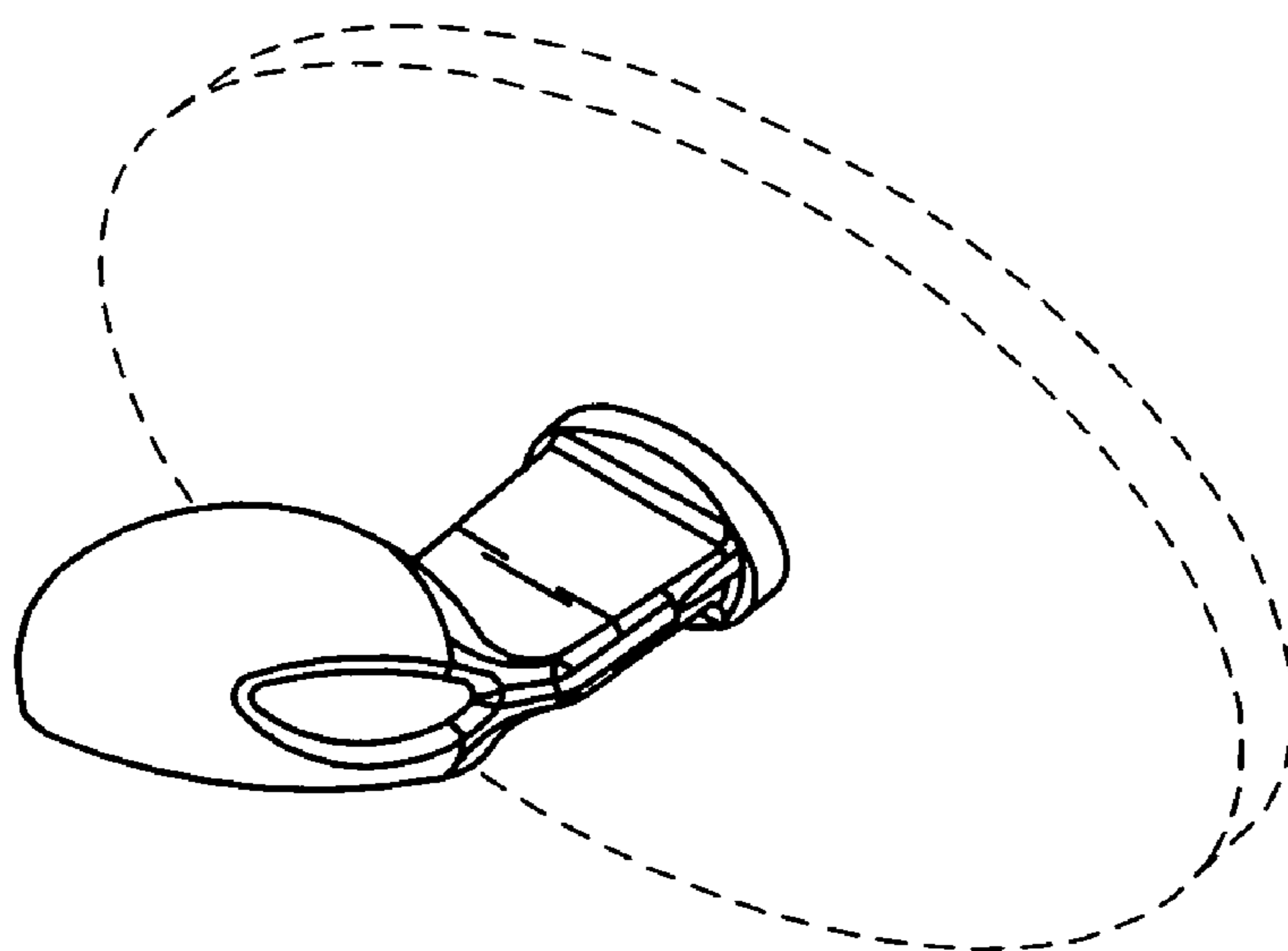


FIG. 6