



US00D582045S

(12) **United States Design Patent**
James

(10) **Patent No.:** **US D582,045 S**
(45) **Date of Patent:** **** Dec. 2, 2008**

(54) **NECK PILLOW**

(76) Inventor: **Gene James**, 1052 E. Indian School Rd.,
Phoenix, AZ (US) 85014

(**) Term: **14 Years**

(21) Appl. No.: **29/292,014**

(22) Filed: **Sep. 25, 2007**

(51) **LOC (8) Cl.** **24-99**

(52) **U.S. Cl.** **D24/191; D6/601**

(58) **Field of Classification Search** D6/595-598,
D6/601, 604, 605; 5/630, 633, 636, 644,
5/652, 653, 655, 655.3, 655.9, 907; D24/183,
D24/191; 602/18

See application file for complete search history.

(56) **References Cited**

U.S. PATENT DOCUMENTS

D396,594 S *	8/1998	Lefebvre	D6/601
6,058,517 A *	5/2000	Hartunian	2/468
D469,541 S *	1/2003	Cheatham	D24/191
D475,139 S *	5/2003	Myoga	D24/191
6,926,686 B2	8/2005	Cheatham		
D555,836 S *	11/2007	Foust et al.	D29/101.2
2002/0156408 A1 *	10/2002	Cheatham	602/13

* cited by examiner

Primary Examiner—Janice E Seeger

(74) *Attorney, Agent, or Firm*—The Halvorson Law Firm

(57) **CLAIM**

The ornamental design for a neck pillow, as shown and described.

DESCRIPTION

FIG. 1 is a perspective view of the neck pillow illustrating use; FIG. 2 is a perspective view of the rear area of the neck pillow; is a side view of the neck pillow;

FIG. 3 is a perspective view of the front area of the neck pillow;

FIG. 4 is a top view of the neck pillow;

FIG. 5 is a bottom view of the neck pillow;

FIG. 6 is a side view of the neck pillow;

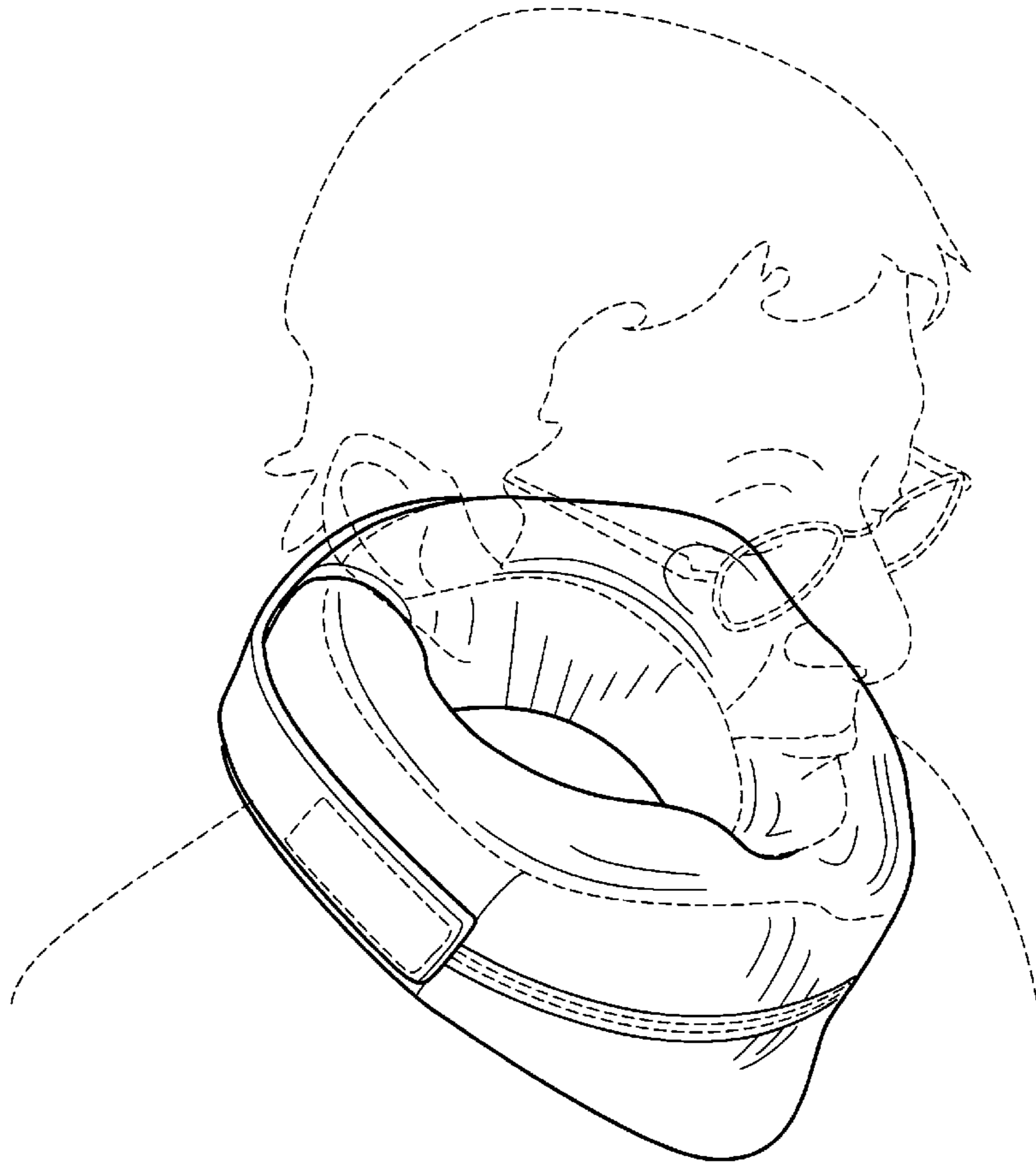
FIG. 7 is the other side view of the neck pillow;

FIG. 8 is a front view of the neck pillow;

FIG. 9 is a rear view of the neck pillow; and,

FIG. 10 is another perspective view of the neck pillow.

1 Claim, 8 Drawing Sheets



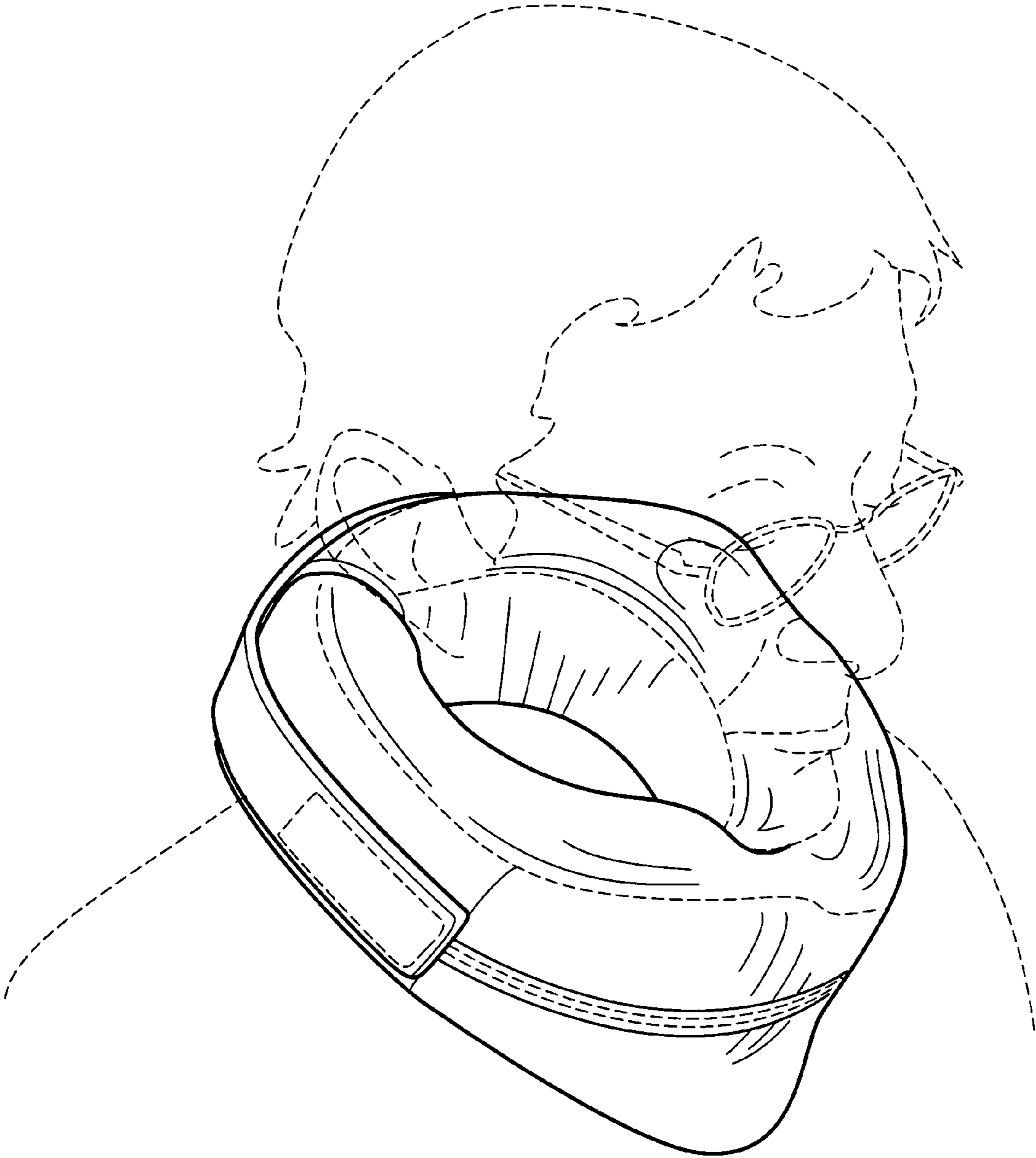


Fig. 1

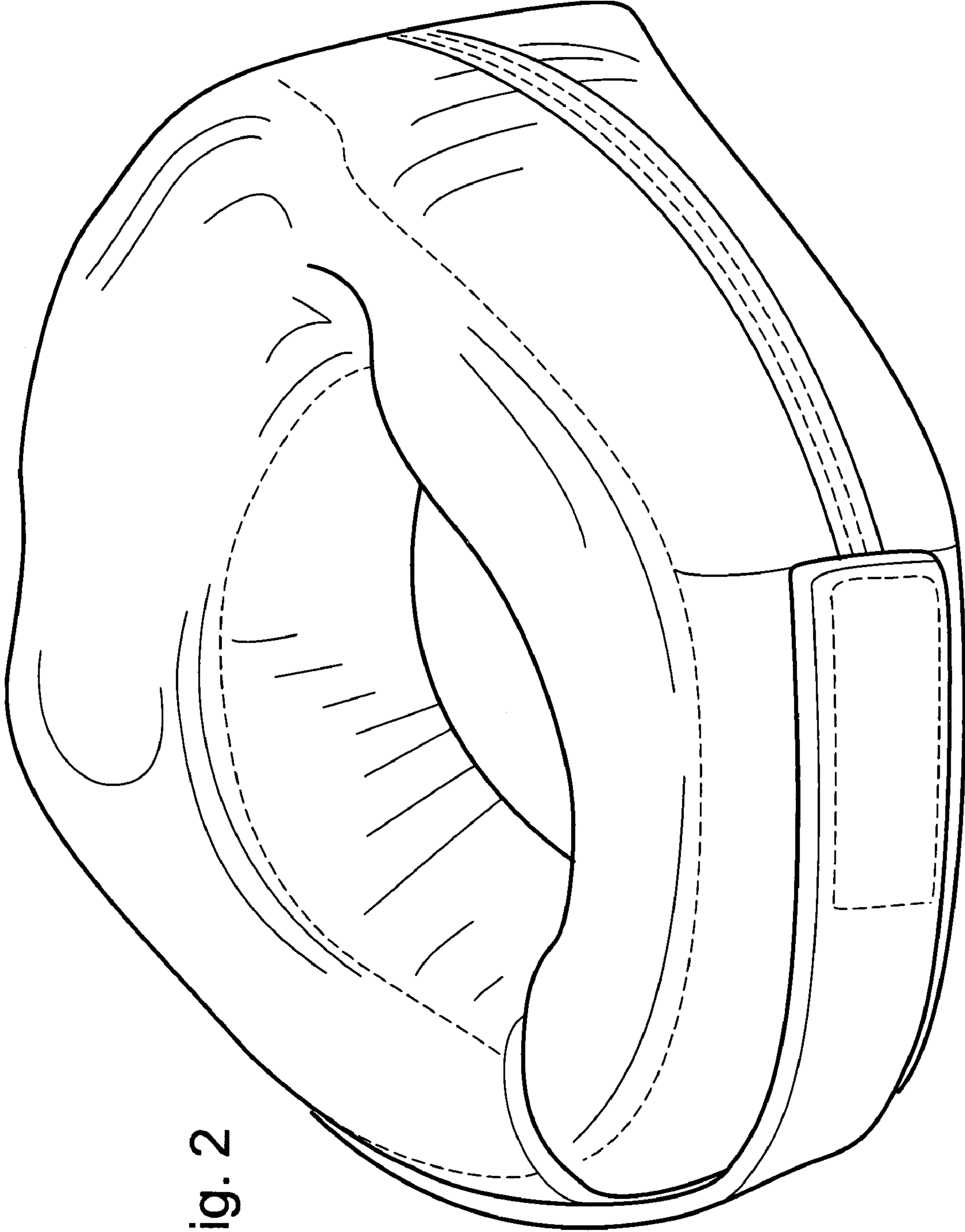


Fig. 2

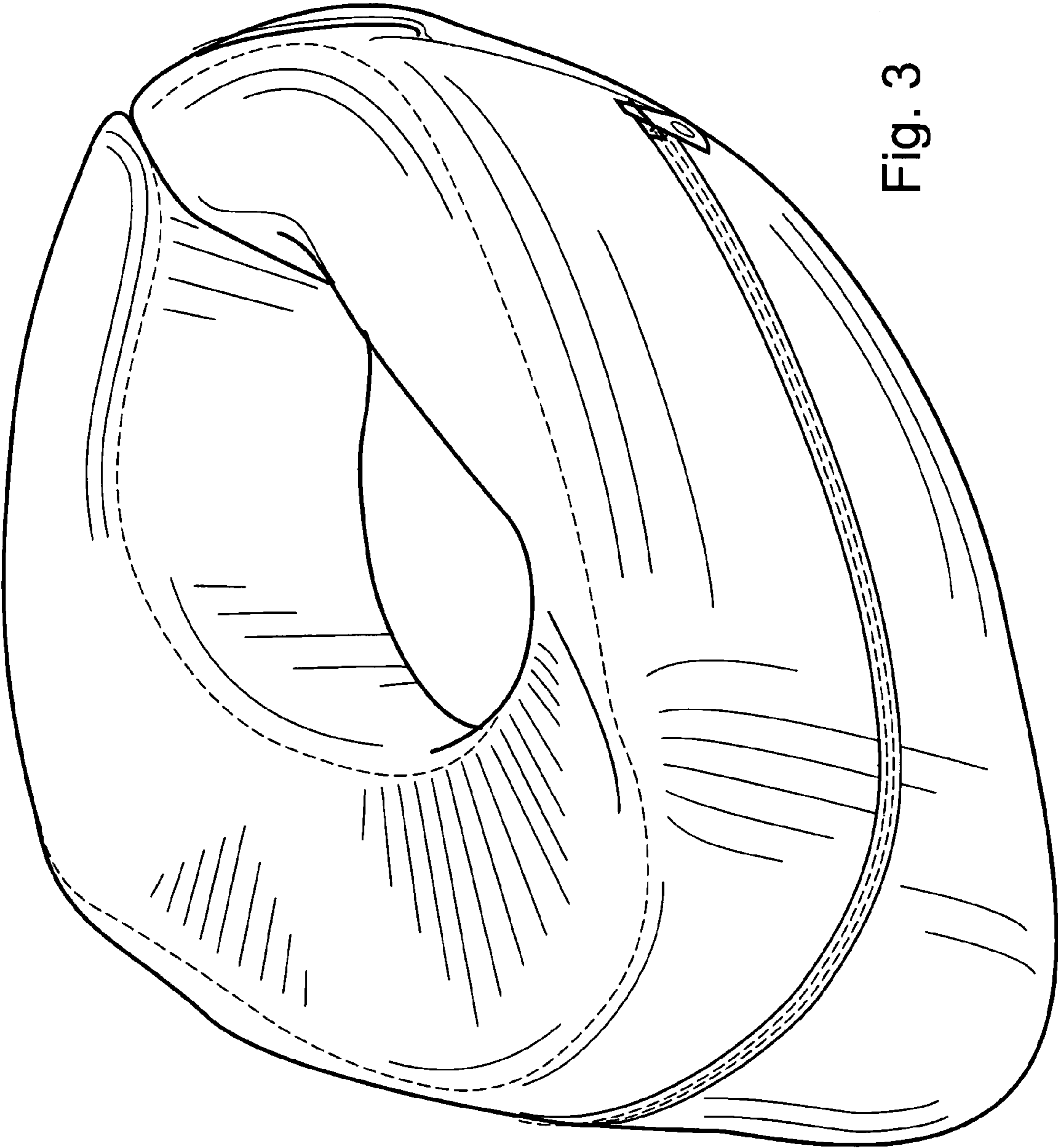


Fig. 3

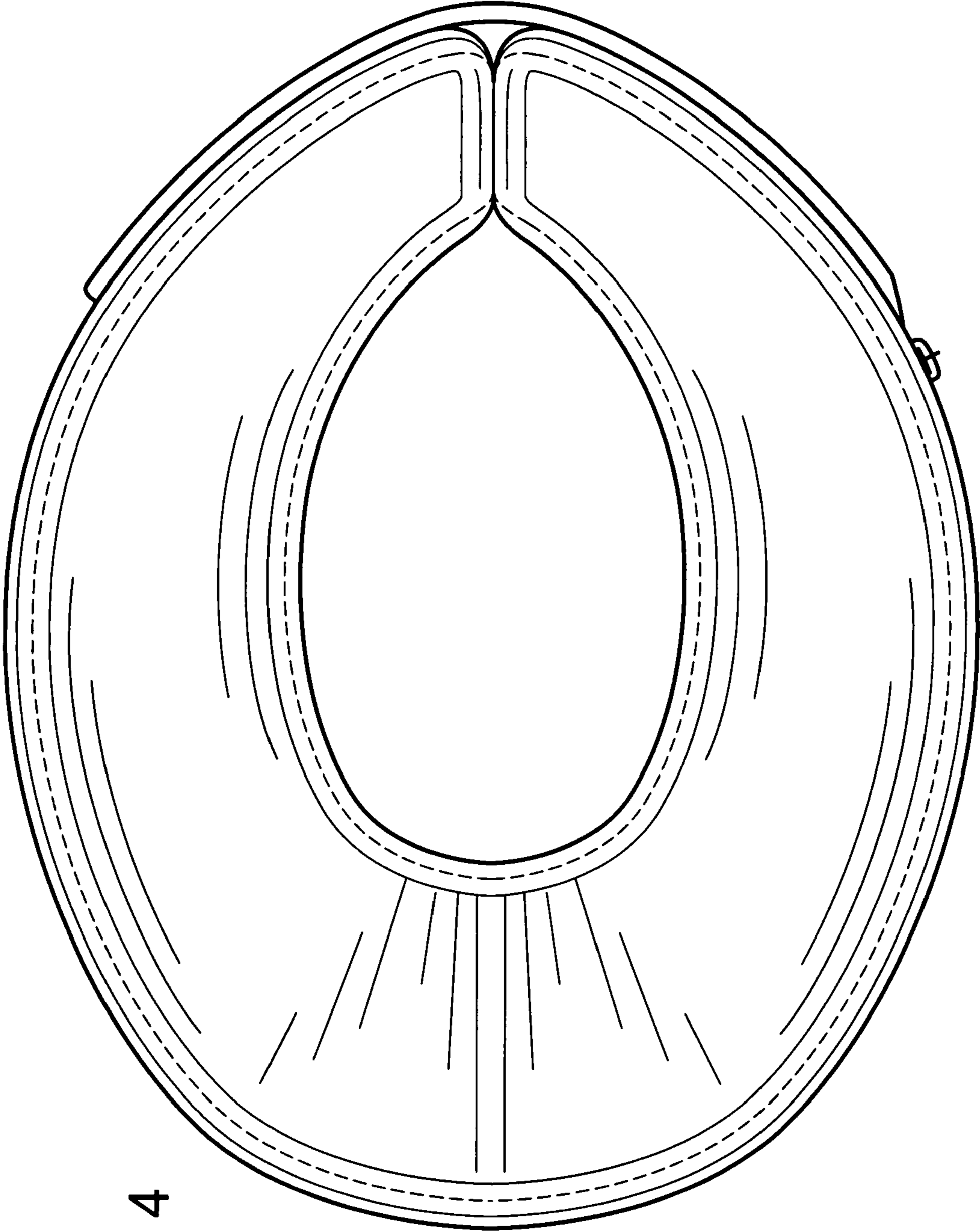


Fig. 4

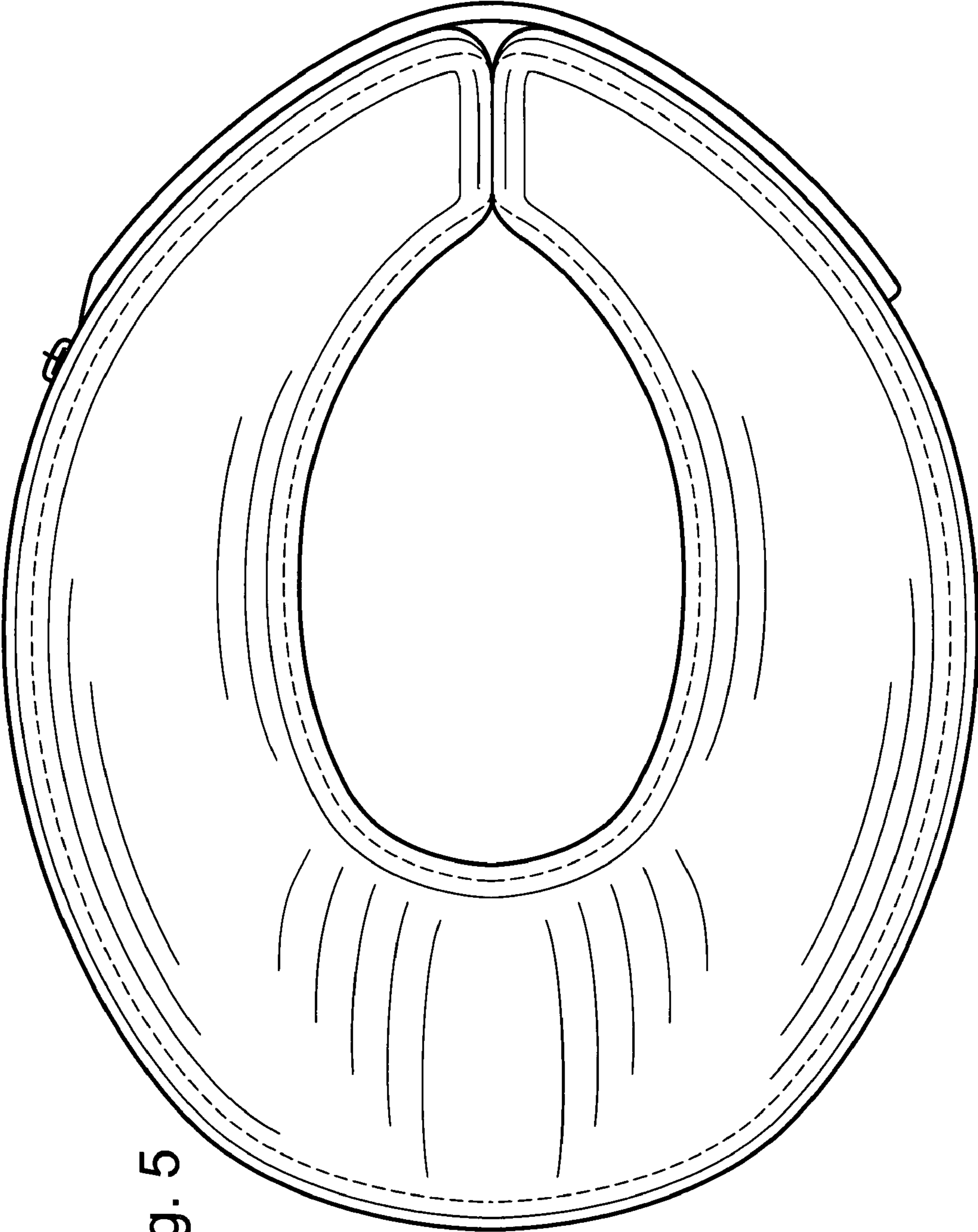


Fig. 5

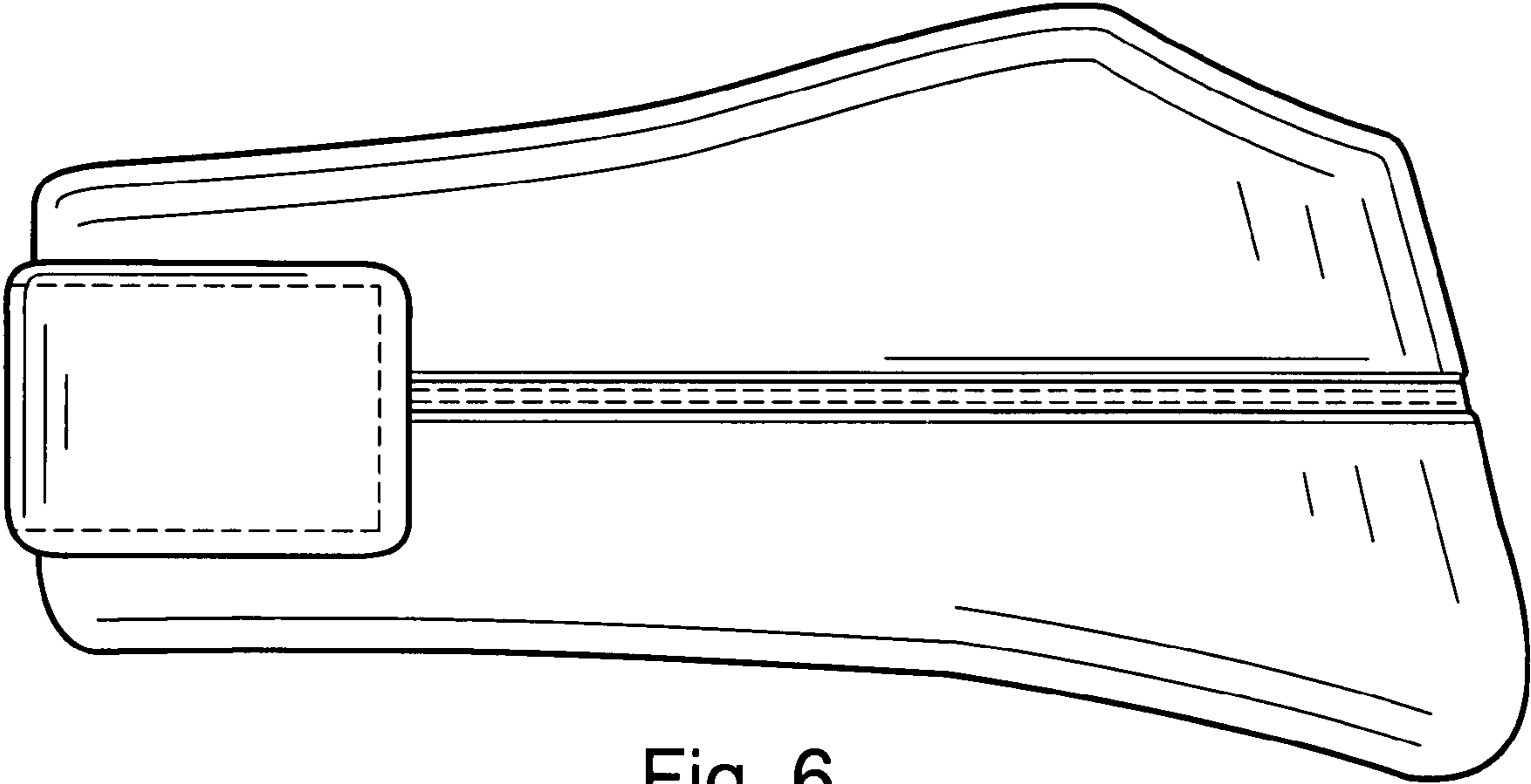


Fig. 6

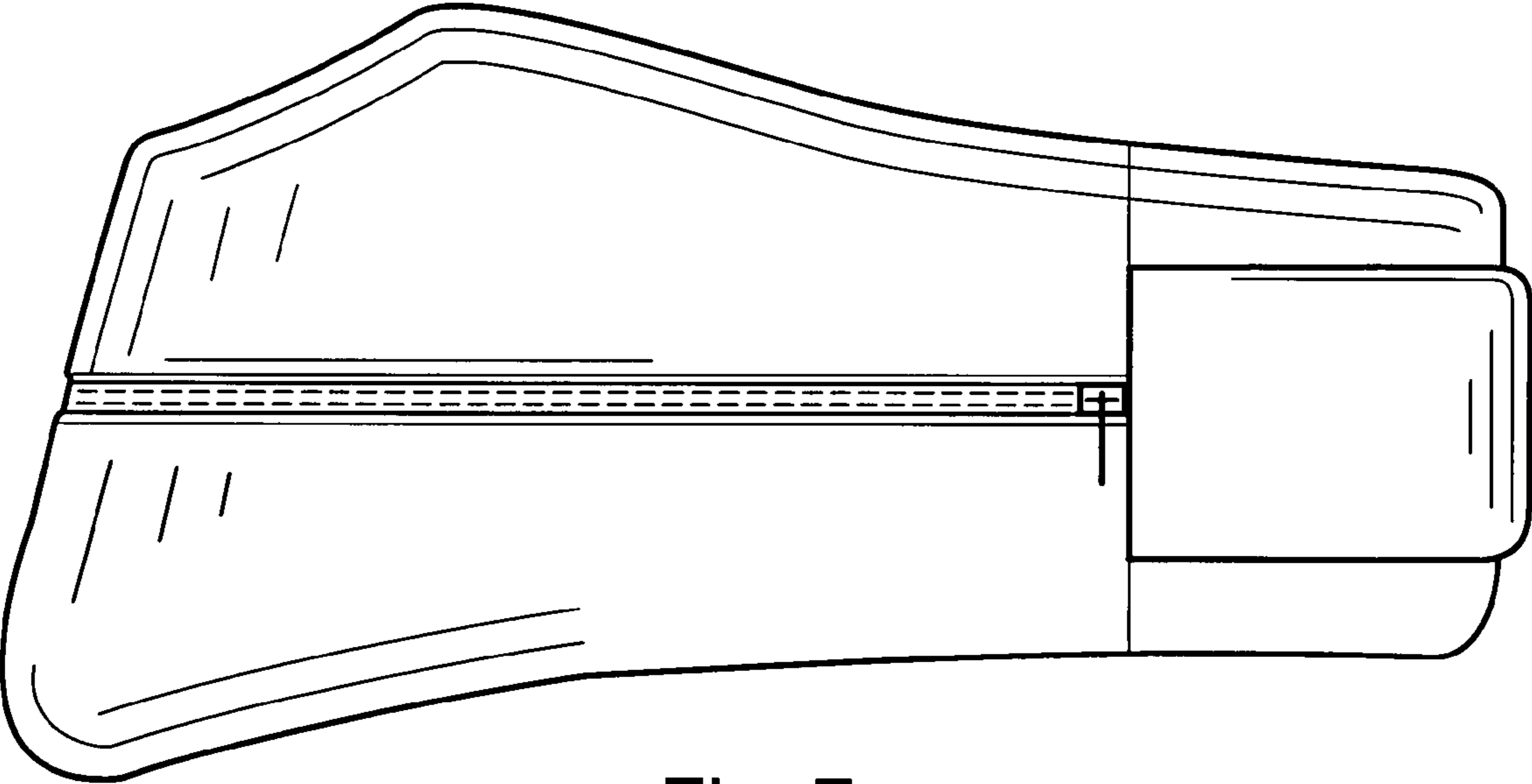


Fig. 7

Fig. 8

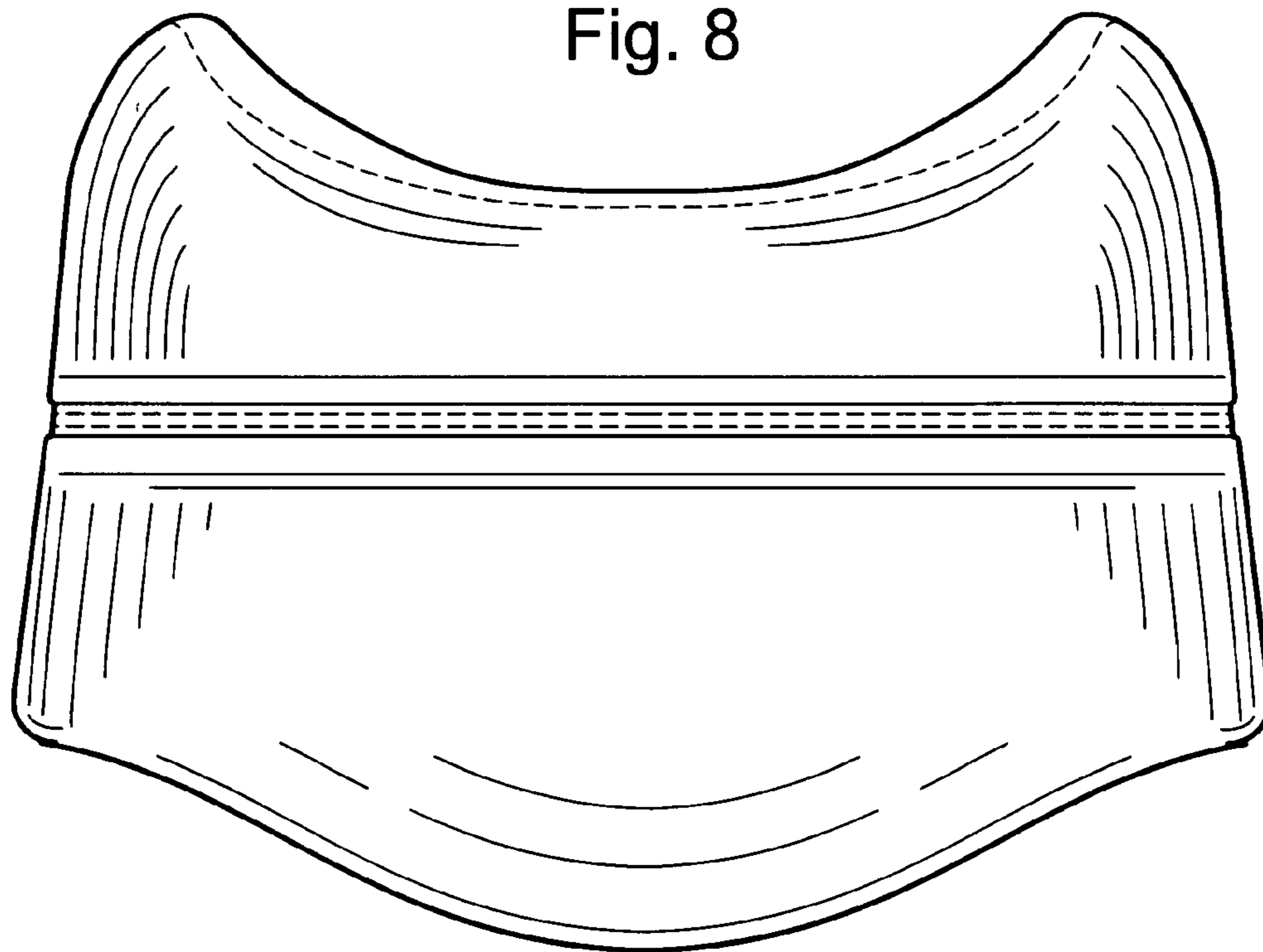
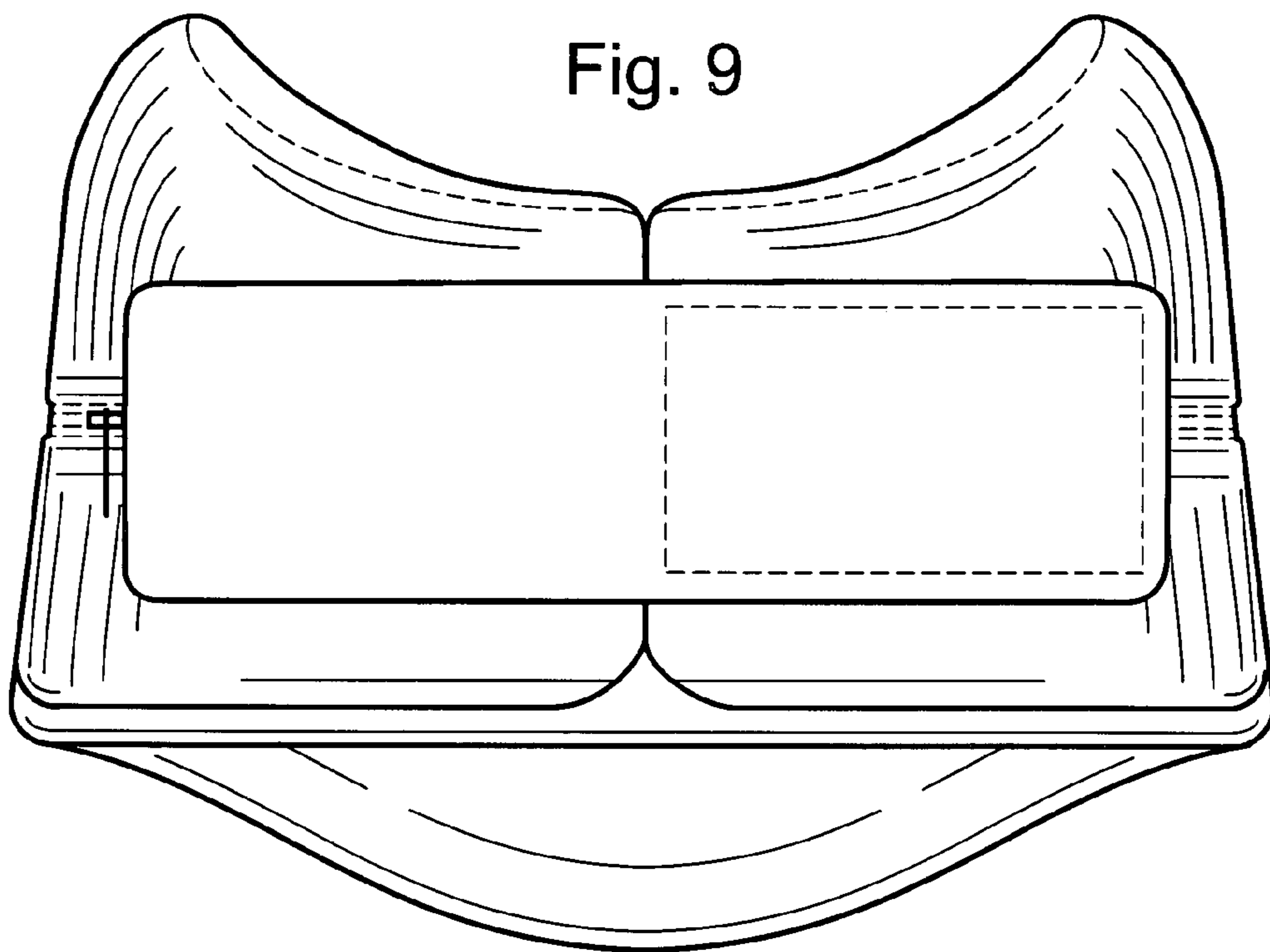


Fig. 9



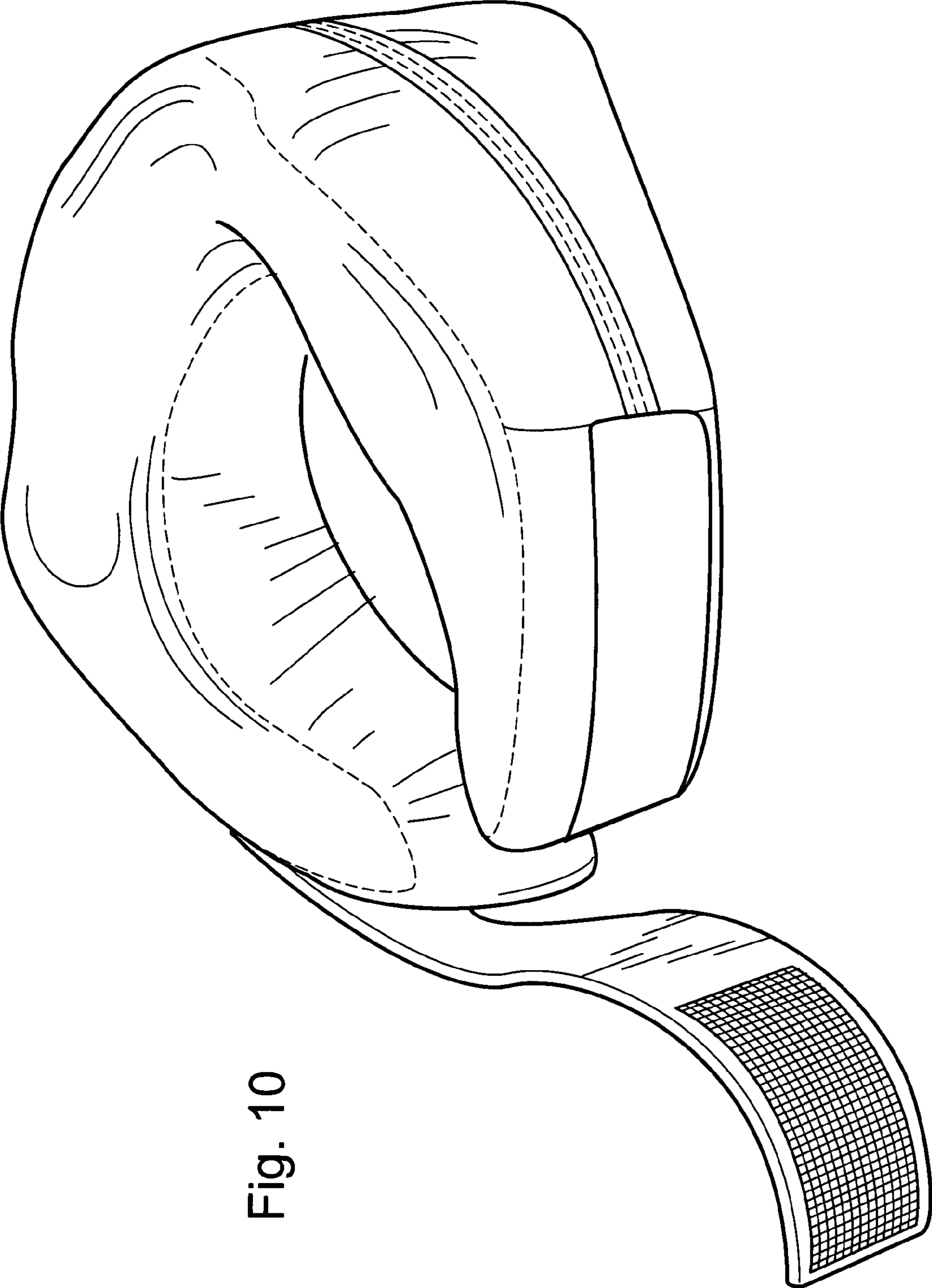


Fig. 10