



US00D582044S

(12) **United States Design Patent**  
**Hacker et al.**

(10) **Patent No.:** **US D582,044 S**  
(45) **Date of Patent:** **\*\* Dec. 2, 2008**

(54) **MEDICAL INSTRUMENT MODULE**

(75) Inventors: **Thomas G. Hacker**, Anaheim, CA (US);  
**Brent William Allen**, Rancho Santa  
Margarita, CA (US)

(73) Assignee: **Terumo Cardiovascular Systems Corp.**

(\*\*) Term: **14 Years**

(21) Appl. No.: **29/250,390**

(22) Filed: **Nov. 13, 2006**

(51) **LOC (8) Cl.** ..... **24-01**

(52) **U.S. Cl.** ..... **D24/170**

(58) **Field of Classification Search** ..... D24/170,  
D24/186; 600/300, 301, 323, 324, 481, 483,  
600/484, 536

See application file for complete search history.

(56) **References Cited**

**U.S. PATENT DOCUMENTS**

D264,128	S	*	4/1982	Barnes et al.	.....	D24/186
D296,240	S	*	6/1988	Albright et al.	.....	D24/186
D299,861	S	*	2/1989	Hunsdale et al.	.....	D24/186
4,981,139	A	*	1/1991	Pfohl	.....	600/484
D320,653	S	*	10/1991	Jones et al.	.....	D24/167
D328,645	S	*	8/1992	Rogler et al.	.....	D24/186
D340,769	S	*	10/1993	Bloom et al.	.....	D24/165

D491,270	S	*	6/2004	Barker	.....	D24/186
D549,831	S	*	8/2007	Ward et al.	.....	D24/186
D554,263	S	*	10/2007	Al-Ali et al.	.....	D24/186

\* cited by examiner

*Primary Examiner*—Louis S Zarfes

*Assistant Examiner*—Anhdao Doan

(74) *Attorney, Agent, or Firm*—Fish & Richardson P.C.

(57) **CLAIM**

The ornamental design for a medical instrument module, as shown and described.

**DESCRIPTION**

FIG. 1 is a perspective view of a medical instrument module from the side, showing our design;

FIG. 2 is a front view of the apparatus thereof;

FIG. 3 is a back view of the apparatus thereof;

FIG. 4 is a right side view of the apparatus thereof;

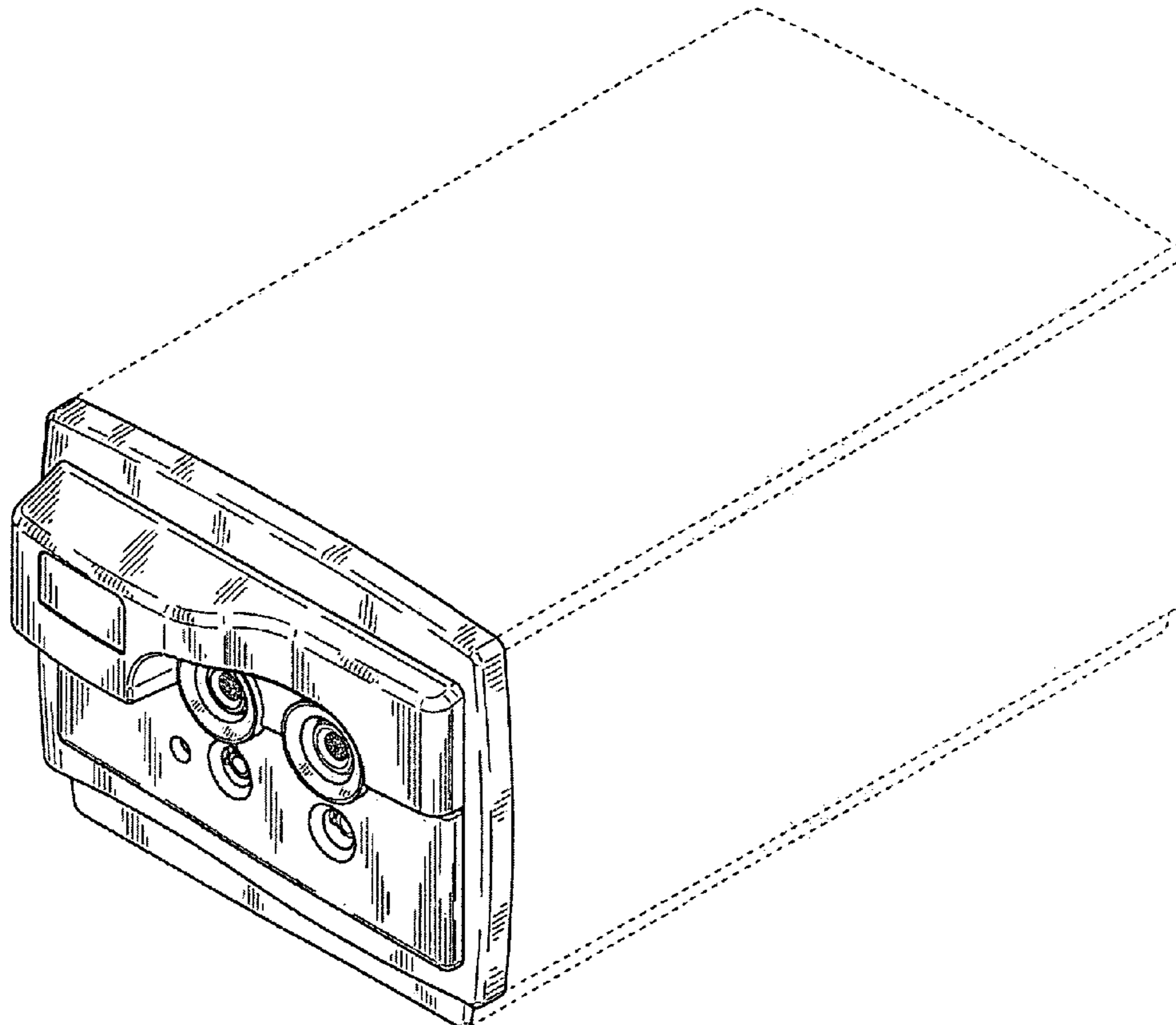
FIG. 5 is a left side view of the apparatus thereof;

FIG. 6 is a top plan view of the apparatus thereof; and,

FIG. 7 is a bottom plan view of the apparatus thereof.

The broken lines in all drawings are included for the purpose of illustrating portions of the medical instrument module that form no part of the claimed design.

**1 Claim, 6 Drawing Sheets**



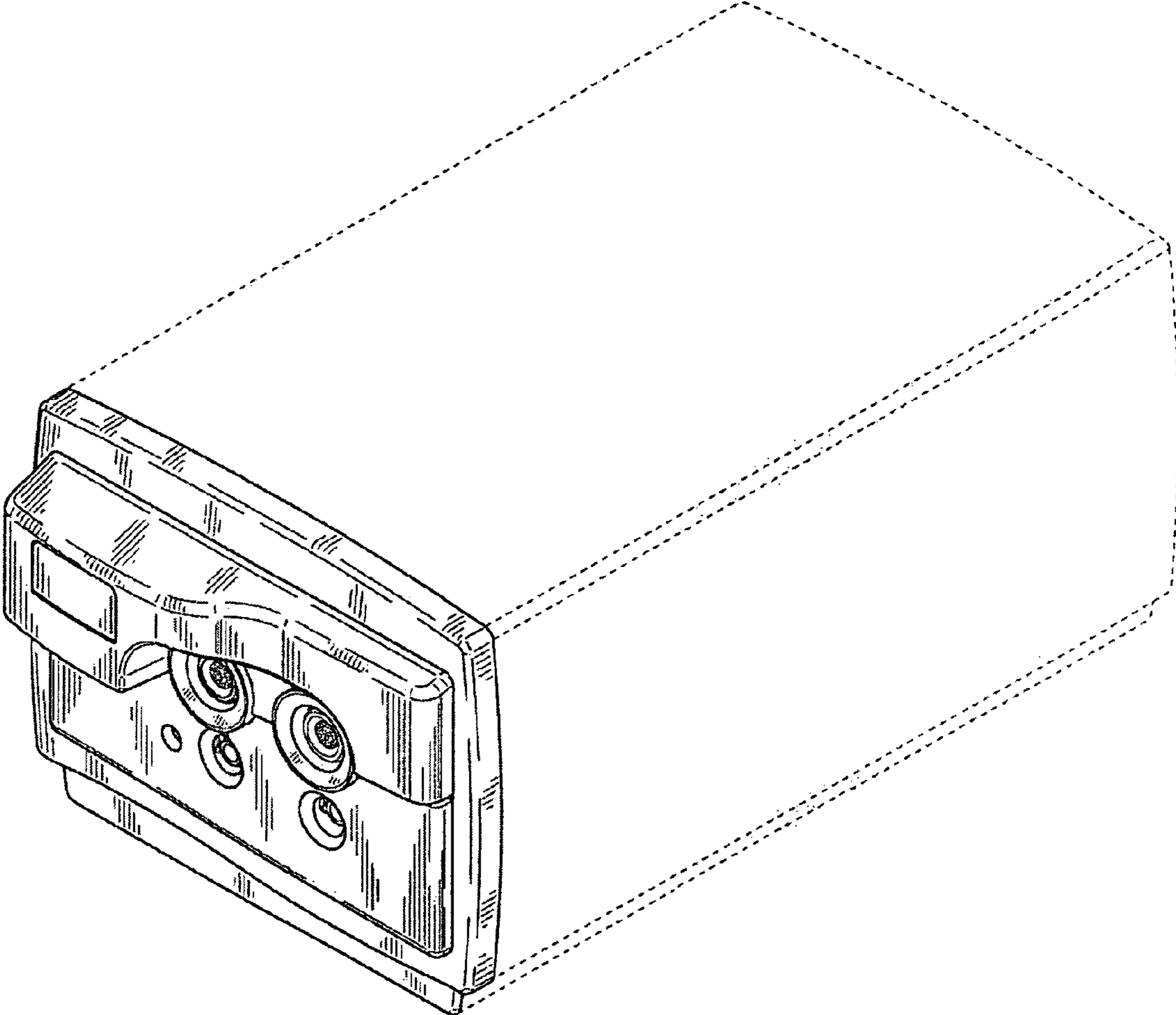


FIG. 1

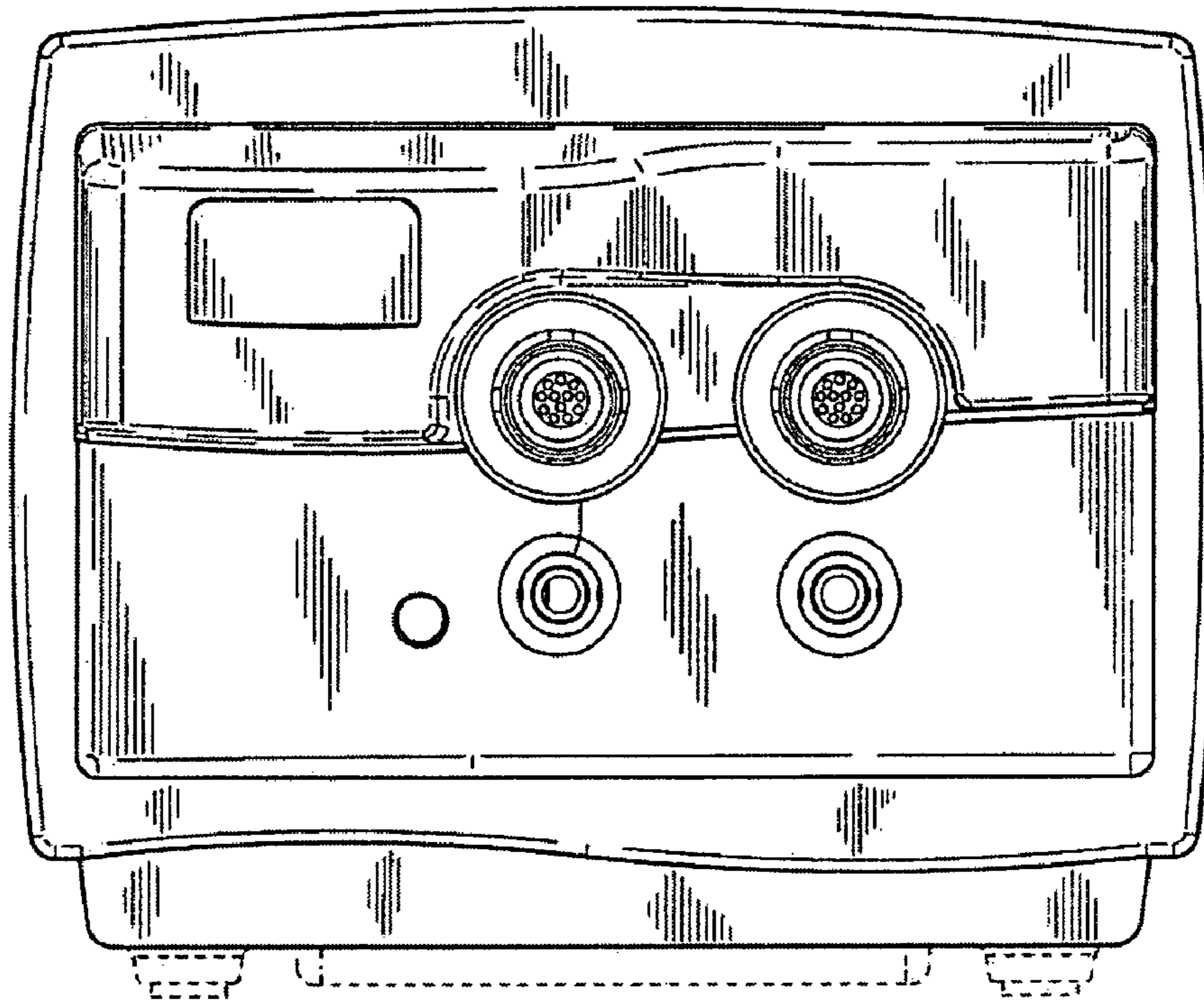


FIG. 2

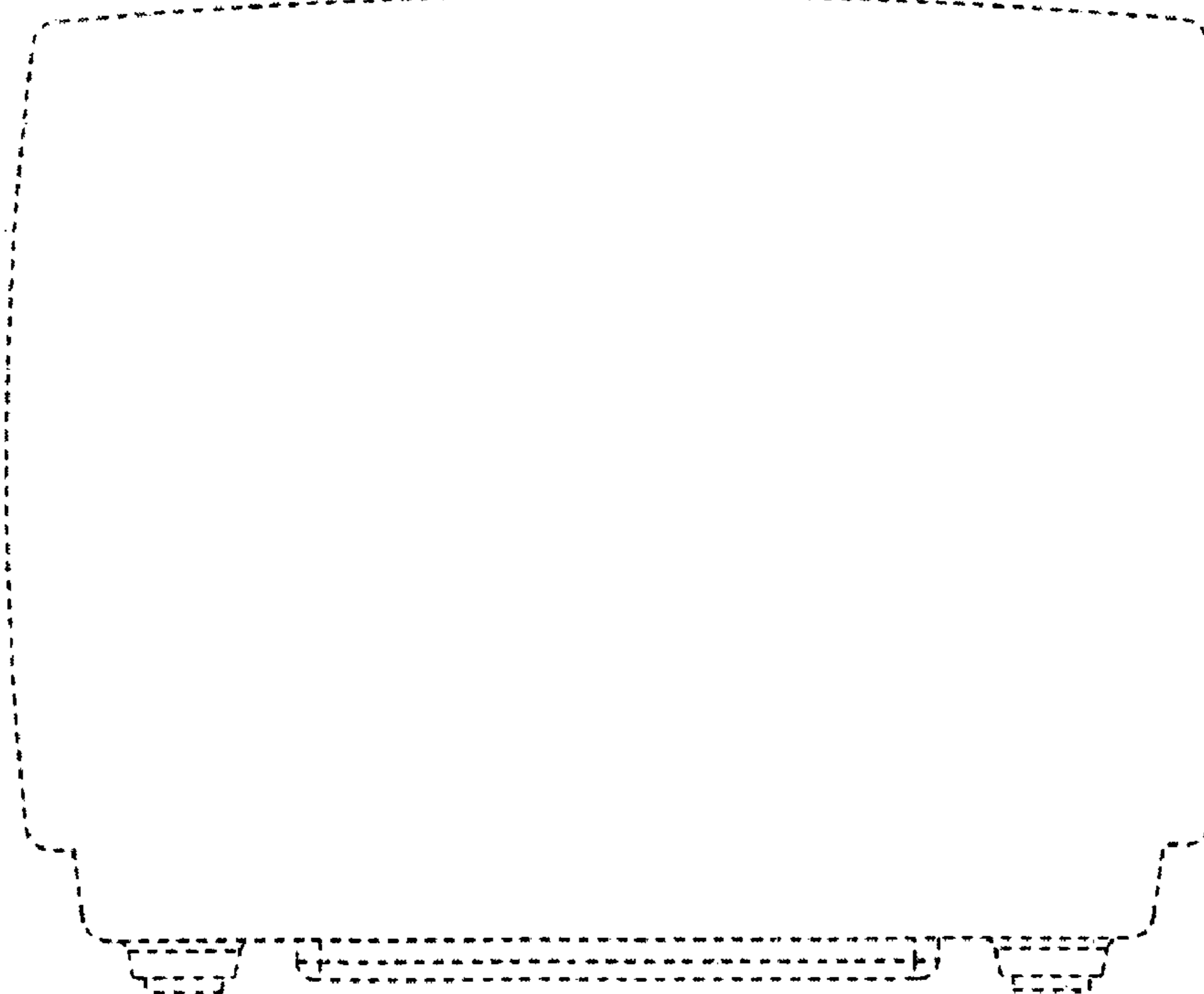


FIG. 3

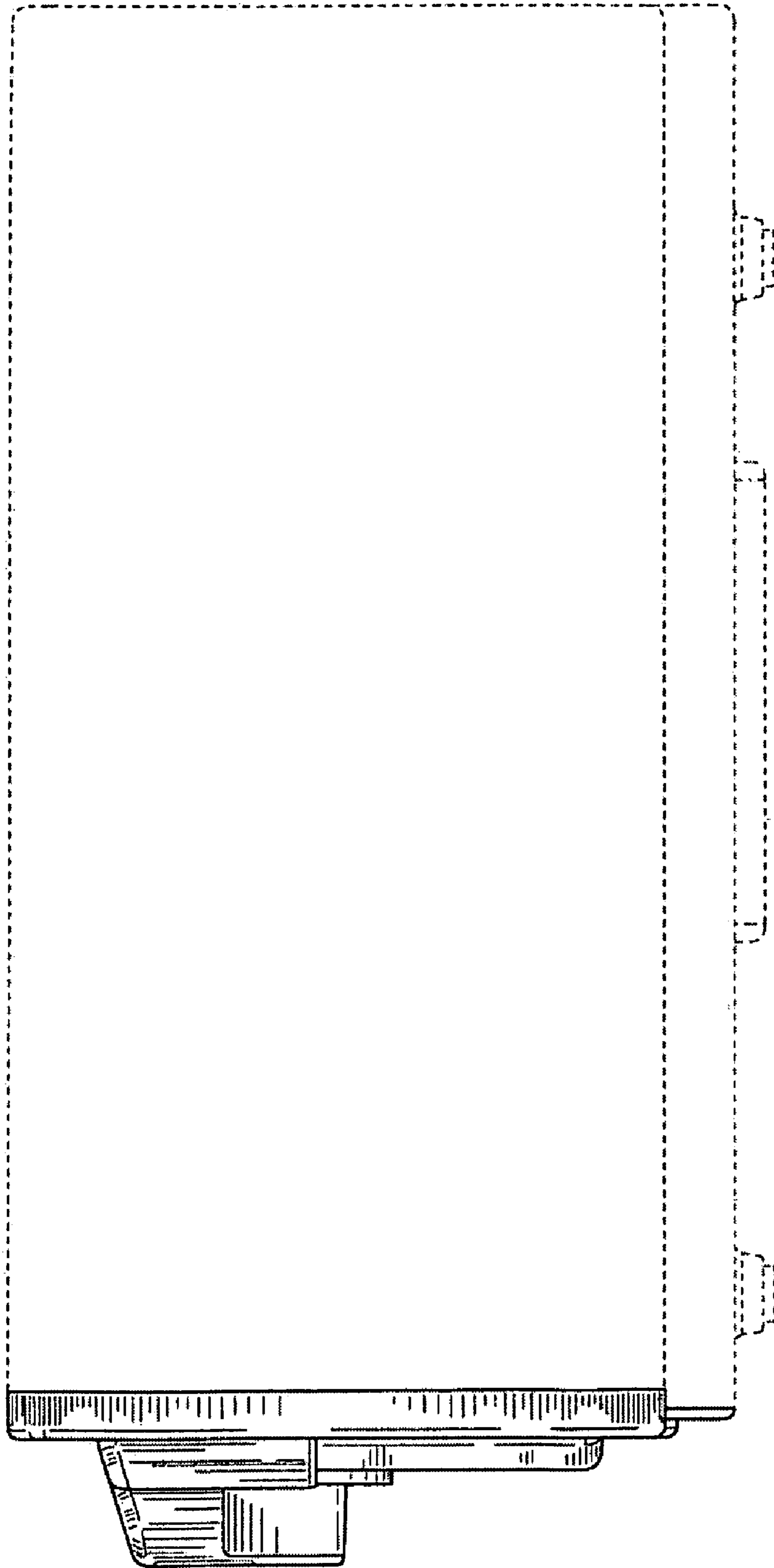


FIG. 4

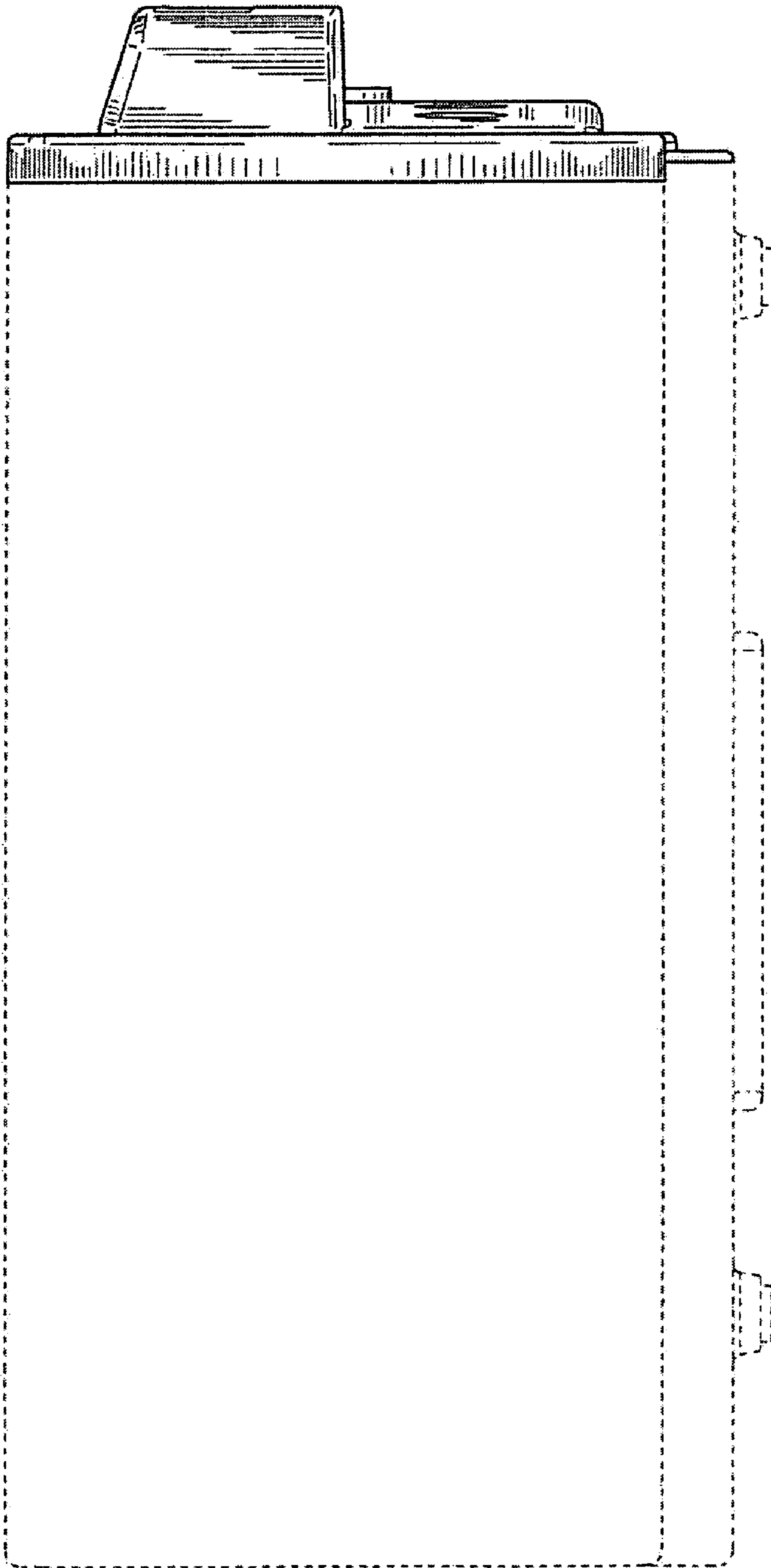


FIG. 5

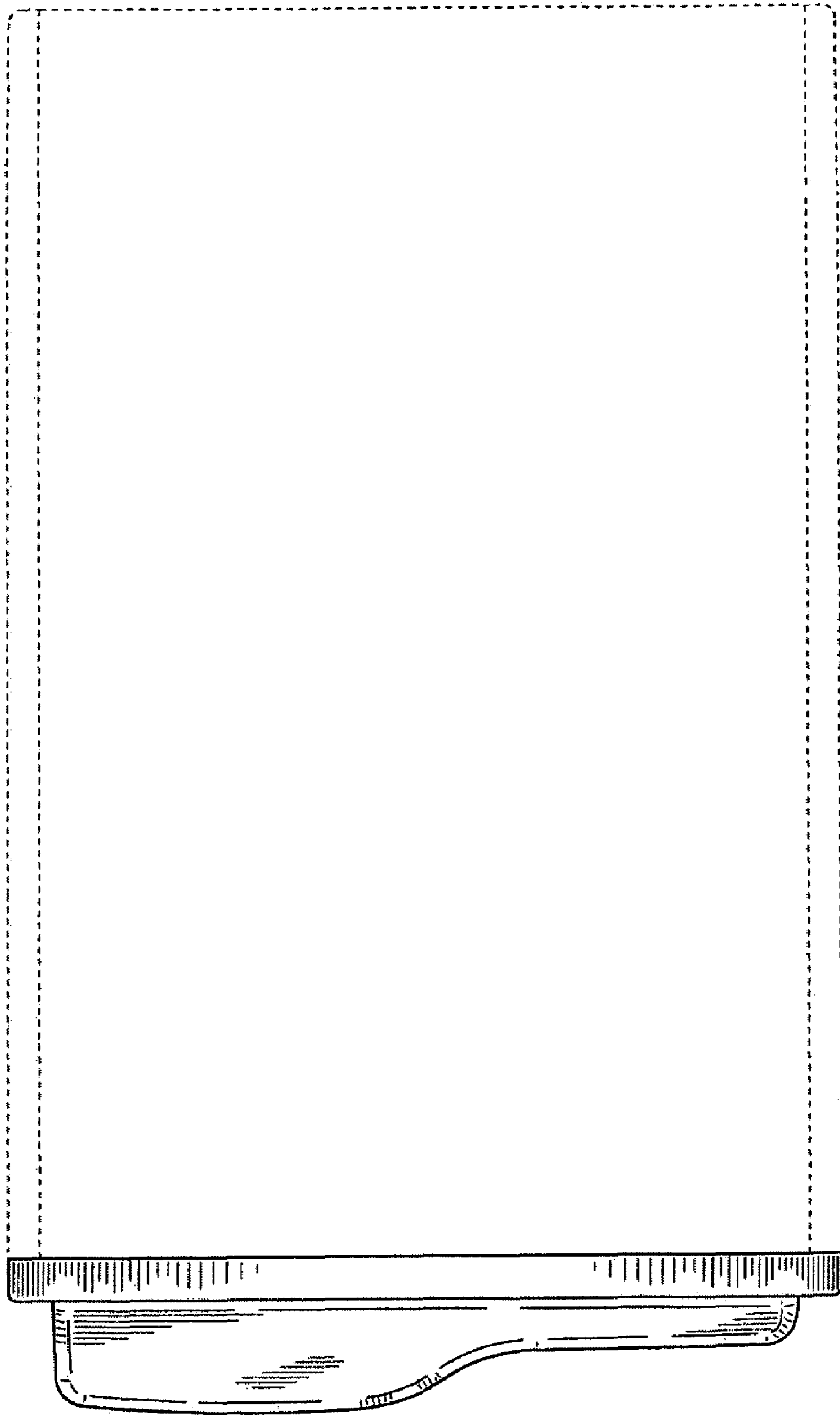


FIG. 6

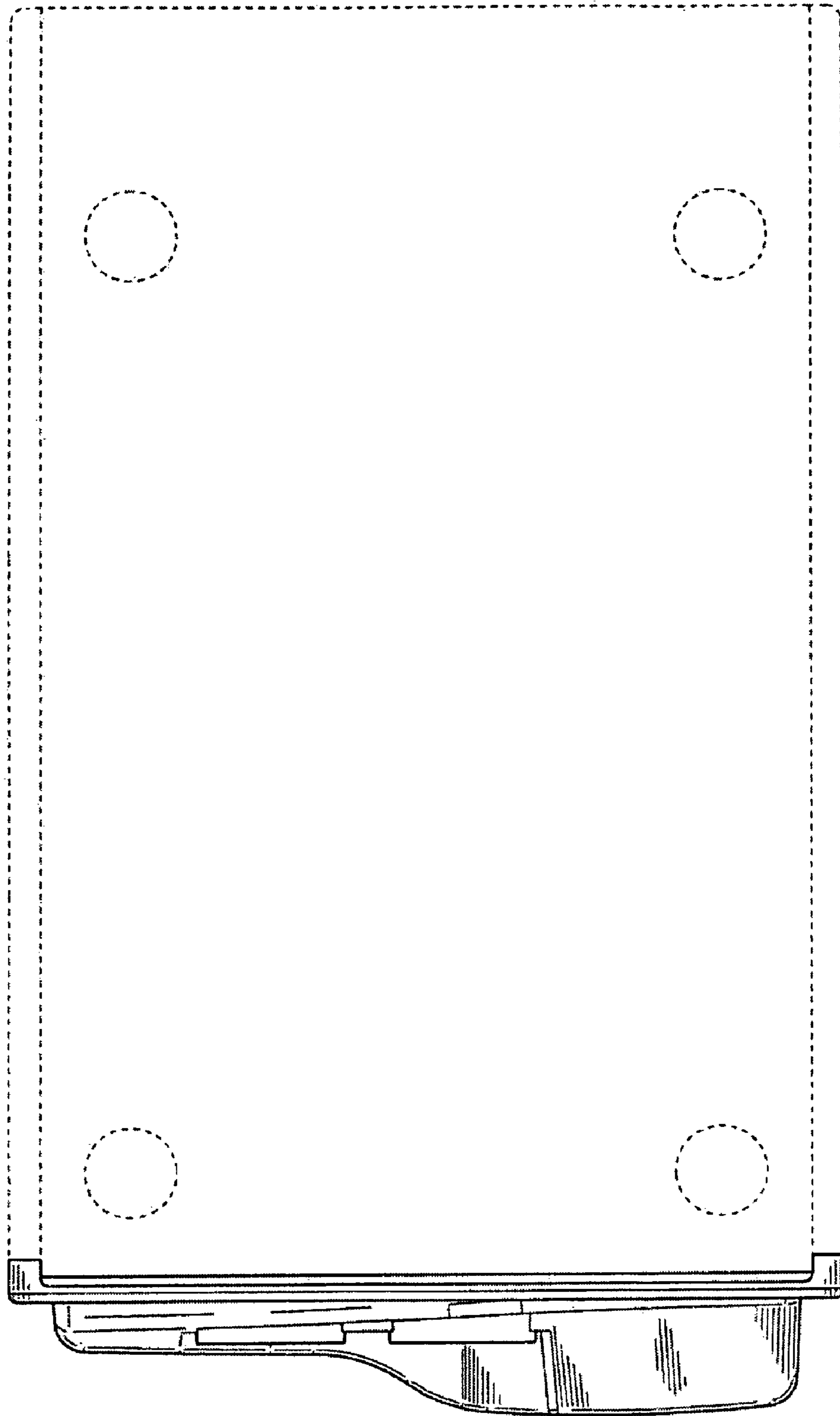


FIG. 7