



US00D582043S

(12) **United States Design Patent**  
**Koike et al.**

(10) **Patent No.:** **US D582,043 S**  
(45) **Date of Patent:** **\*\* Dec. 2, 2008**

(54) **SPHYGMOMANOMETER**

D574,496 S \* 8/2008 Kitamura et al. .... D24/165

(75) Inventors: **Tadashi Koike**, Kyoto (JP); **Yukiko Mitsunami**, Otsu (JP); **Takashi Shigeno**, Kawasaki (JP); **Kazuya Andachi**, Tokyo (JP); **Hiroyuki Kato**, Kyoto (JP); **Yoshihito Nakanishi**, Suita (JP); **Izumi Hachimaru**, Kyoto (JP)

FOREIGN PATENT DOCUMENTS

EM 000480470-0004 \* 2/2006  
EM 000686233-0001 \* 3/2007  
EM 000686233-0003 \* 3/2007

\* cited by examiner

*Primary Examiner*—Louis S Zarfaz  
*Assistant Examiner*—Anhdao Doan

(73) Assignee: **Omron Healthcare Co., Ltd.**, Kyoto (JP)

(57) **CLAIM**

(\*\*) Term: **14 Years**

The ornamental design for a sphygmomanometer, as shown and described.

(21) Appl. No.: **29/299,789**

(22) Filed: **Jan. 4, 2008**

**DESCRIPTION**

(30) **Foreign Application Priority Data**

Jul. 6, 2007 (JP) ..... 2007-018375  
Jul. 6, 2007 (JP) ..... 2007-018376

FIG. 1 is a front perspective view of an embodiment of a sphygmomanometer showing our new design;  
FIG. 2 is a rear perspective view thereof;  
FIG. 3 is a front elevational view thereof;  
FIG. 4 is a rear elevational view thereof;  
FIG. 5 is a top plan view thereof;  
FIG. 6 is a bottom plan view thereof;  
FIG. 7 is a right side elevational view thereof;  
FIG. 8 is a left side elevational view thereof;  
FIG. 9 is a front perspective view of another embodiment of a sphygmomanometer showing our new design;  
FIG. 10 is a rear perspective view thereof;  
FIG. 11 is a front elevational view thereof;  
FIG. 12 is a rear elevational view thereof;  
FIG. 13 is a top plan view thereof;  
FIG. 14 is a bottom plan view thereof;  
FIG. 15 is a right side elevational view thereof; and,  
FIG. 16 is a left side elevational view thereof.

(51) **LOC (8) Cl.** ..... **24-02**

(52) **U.S. Cl.** ..... **D24/165**

(58) **Field of Classification Search** ..... D24/165-169,  
D24/186; D10/98; 600/479-480, 485, 490,  
600/493-495, 499, 500

See application file for complete search history.

(56) **References Cited**

U.S. PATENT DOCUMENTS

D324,570 S \* 3/1992 Arioka et al. .... D24/165  
D354,811 S \* 1/1995 Tsushi ..... D24/165  
D406,346 S \* 3/1999 Hirakawa ..... D24/165  
D533,666 S \* 12/2006 Kobayashi et al. .... D24/165  
D535,028 S \* 1/2007 Kobayashi et al. .... D24/165  
D535,031 S \* 1/2007 Barrett et al. .... D24/186  
D558,879 S \* 1/2008 Eda et al. .... D24/165  
D569,521 S \* 5/2008 Omaki ..... D24/186

**1 Claim, 8 Drawing Sheets**

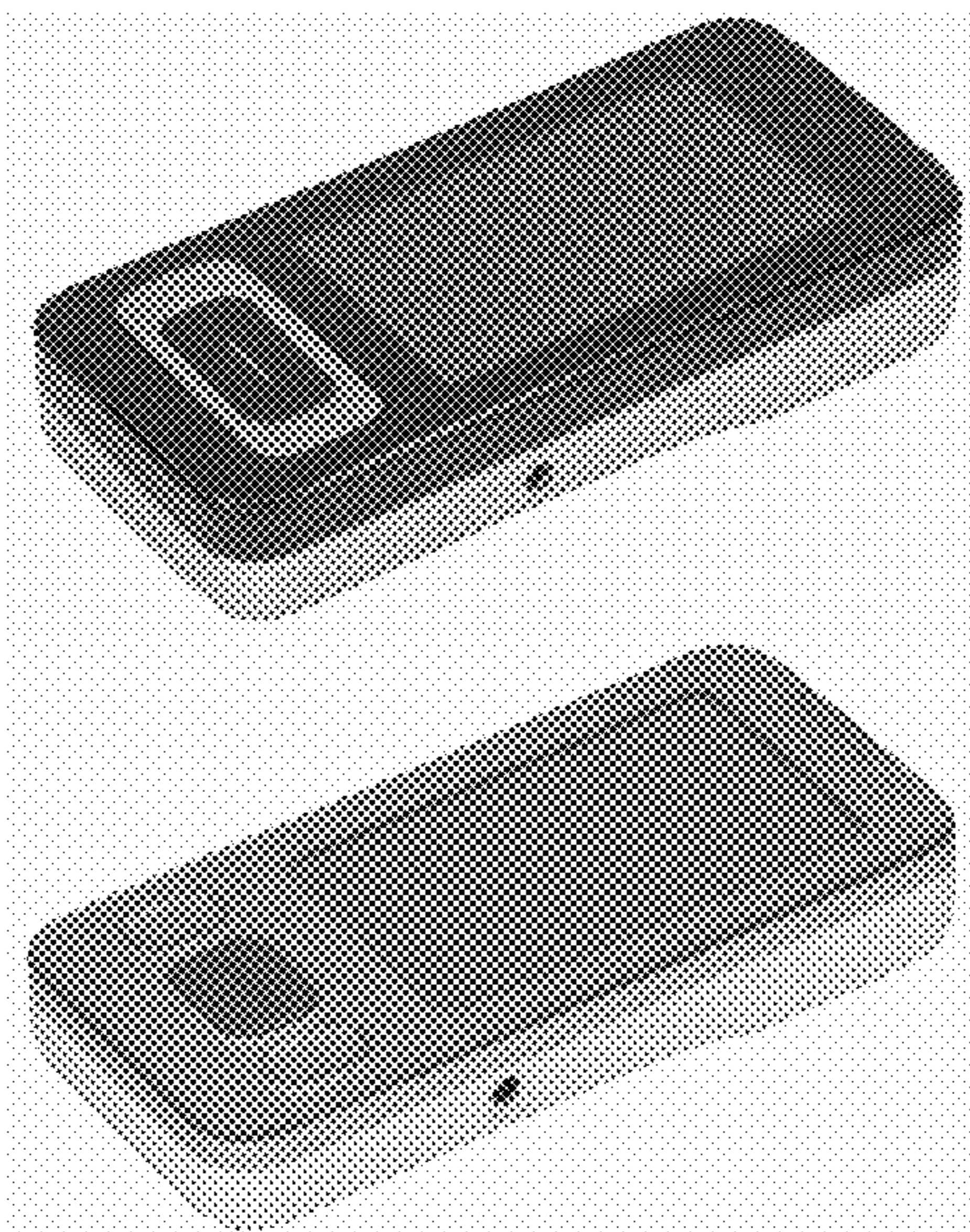




Fig. 1



Fig. 2

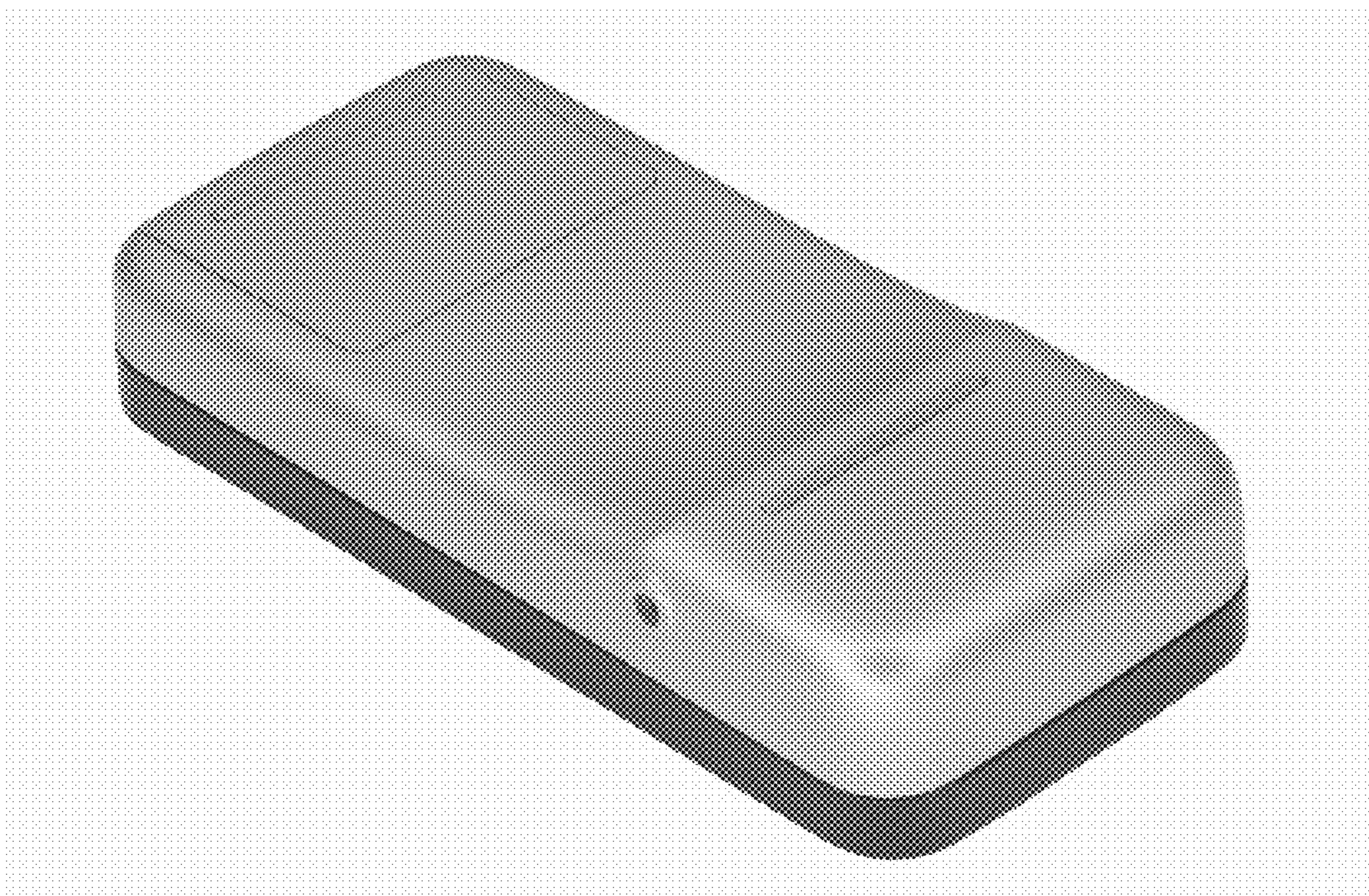




Fig. 3



Fig. 4

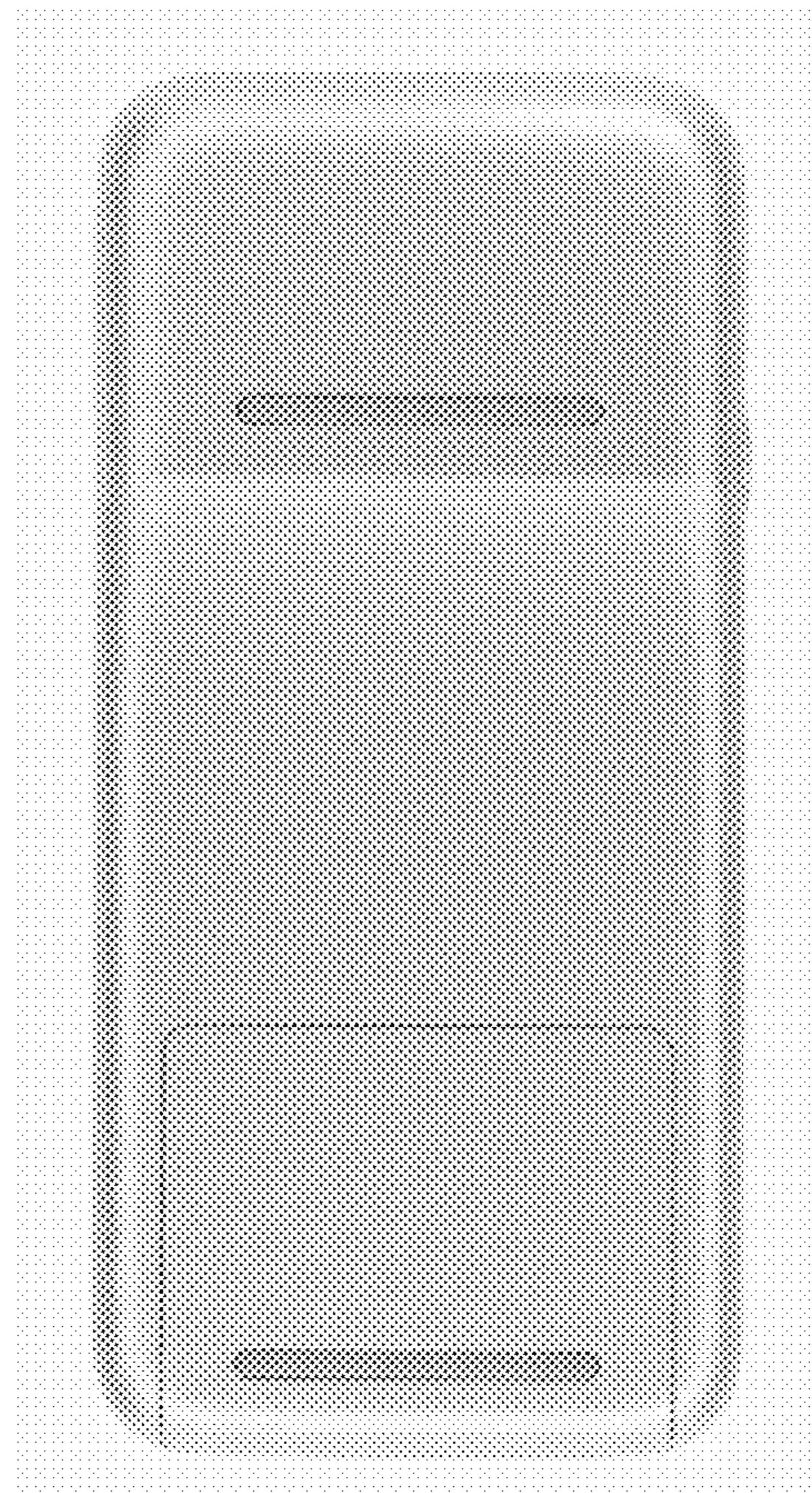


Fig. 5

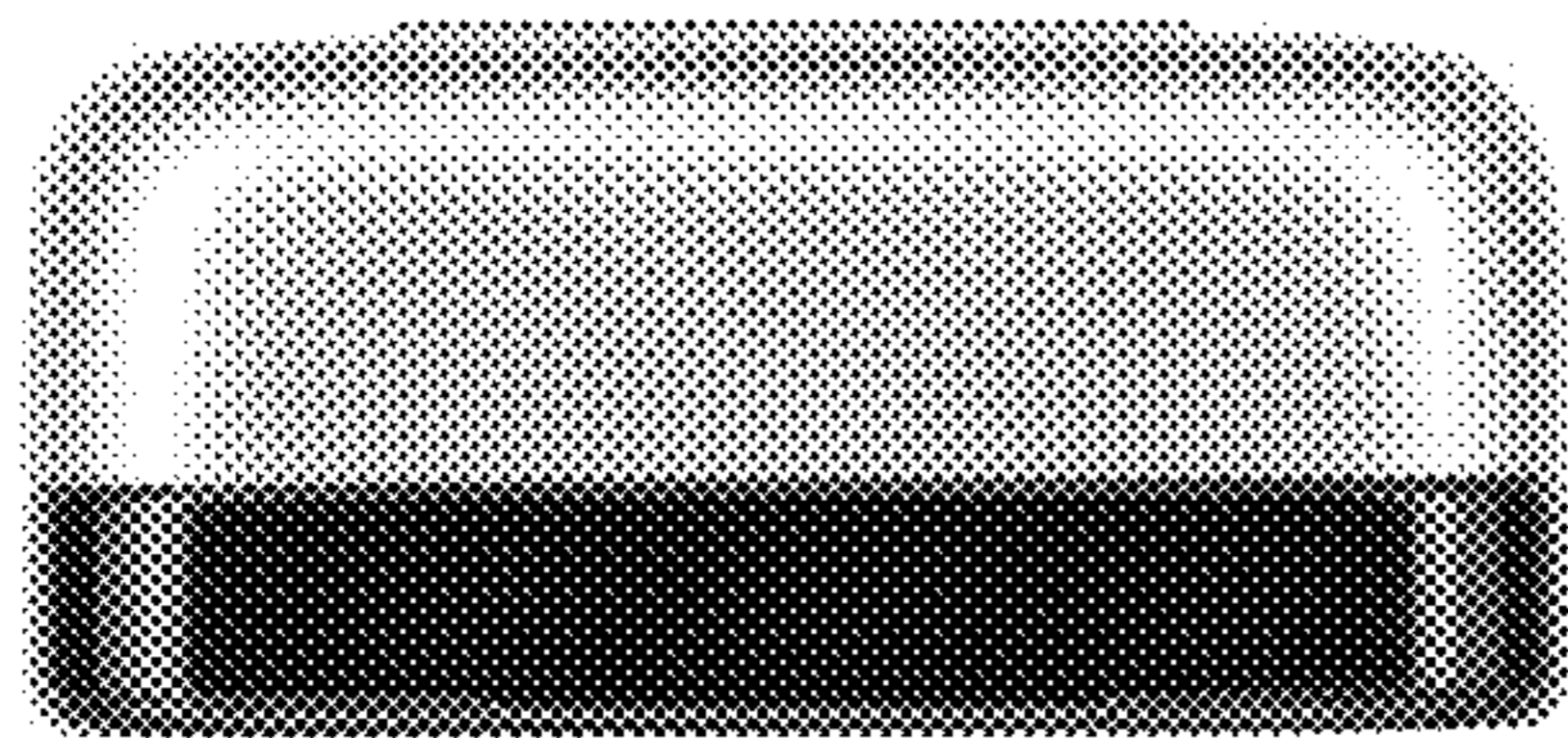


Fig. 6

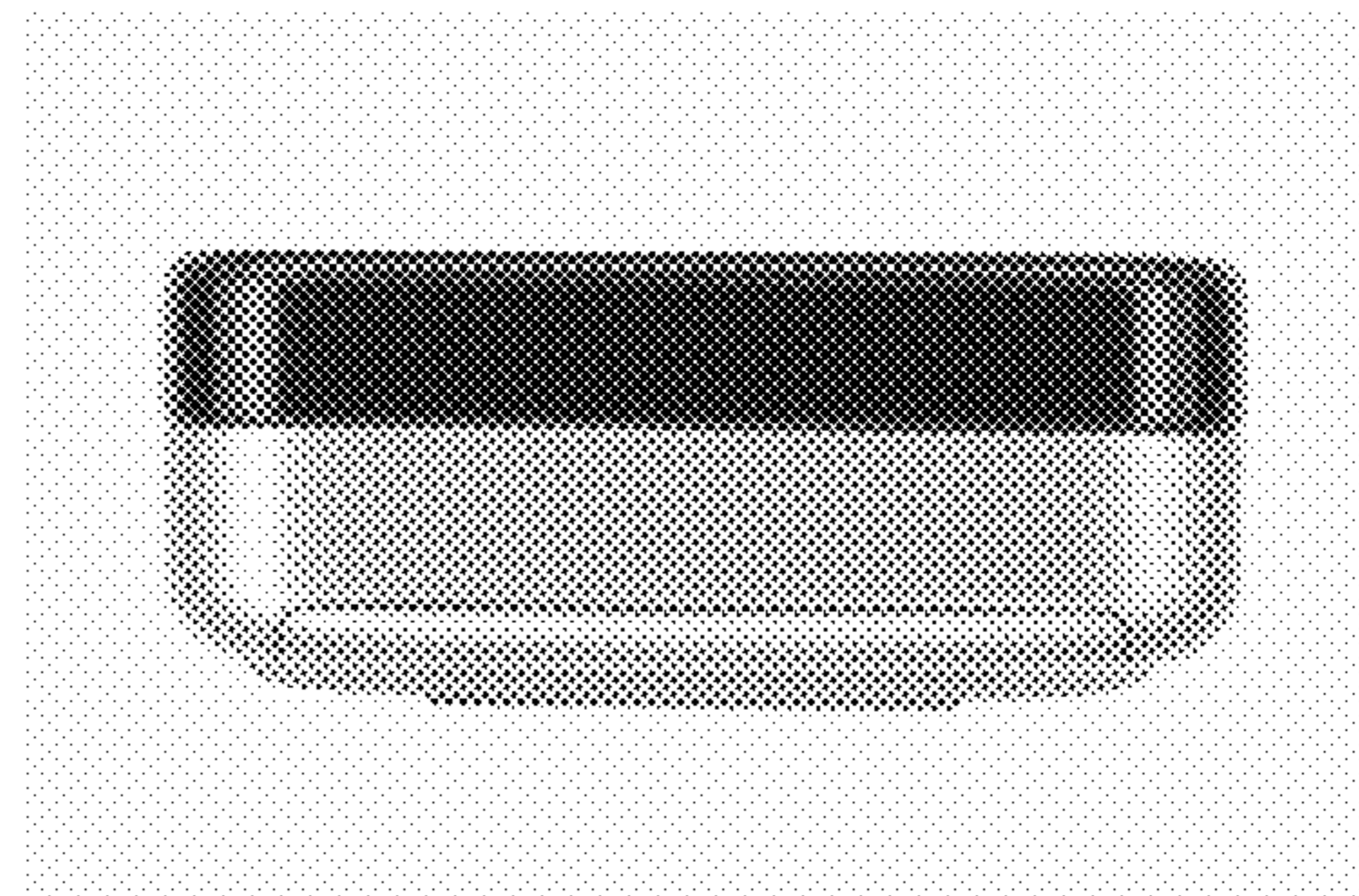




Fig. 7

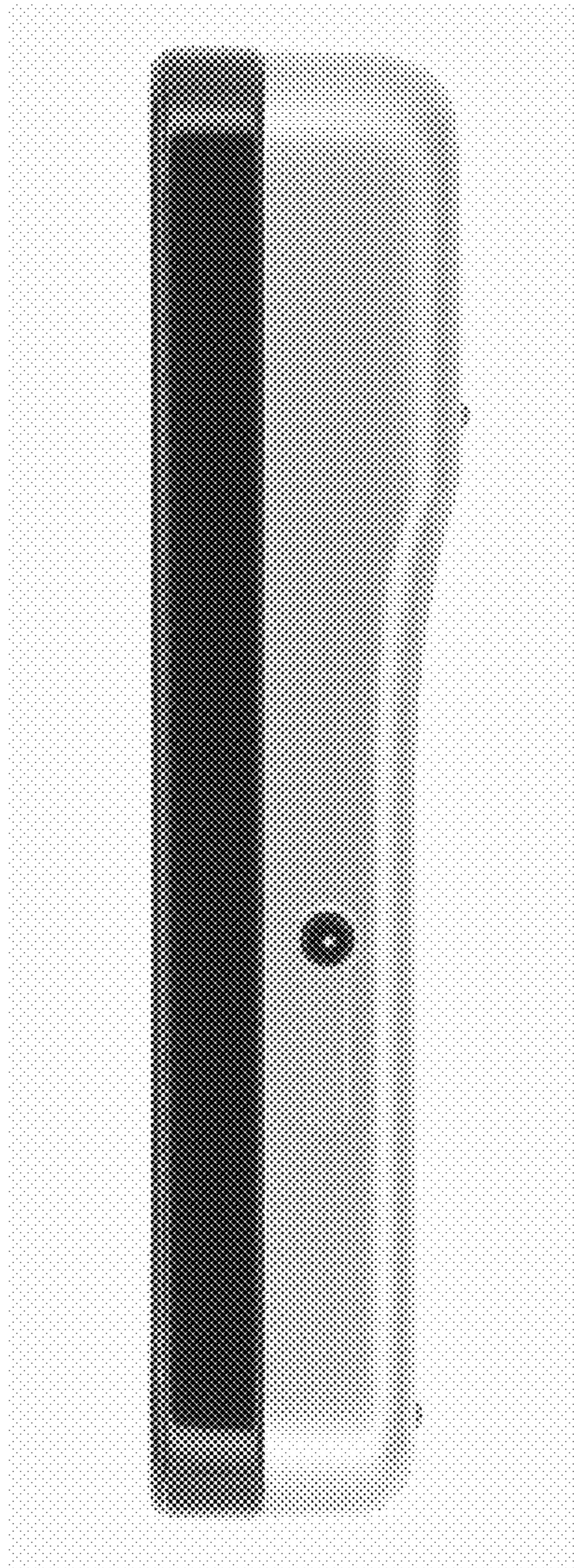


Fig. 8

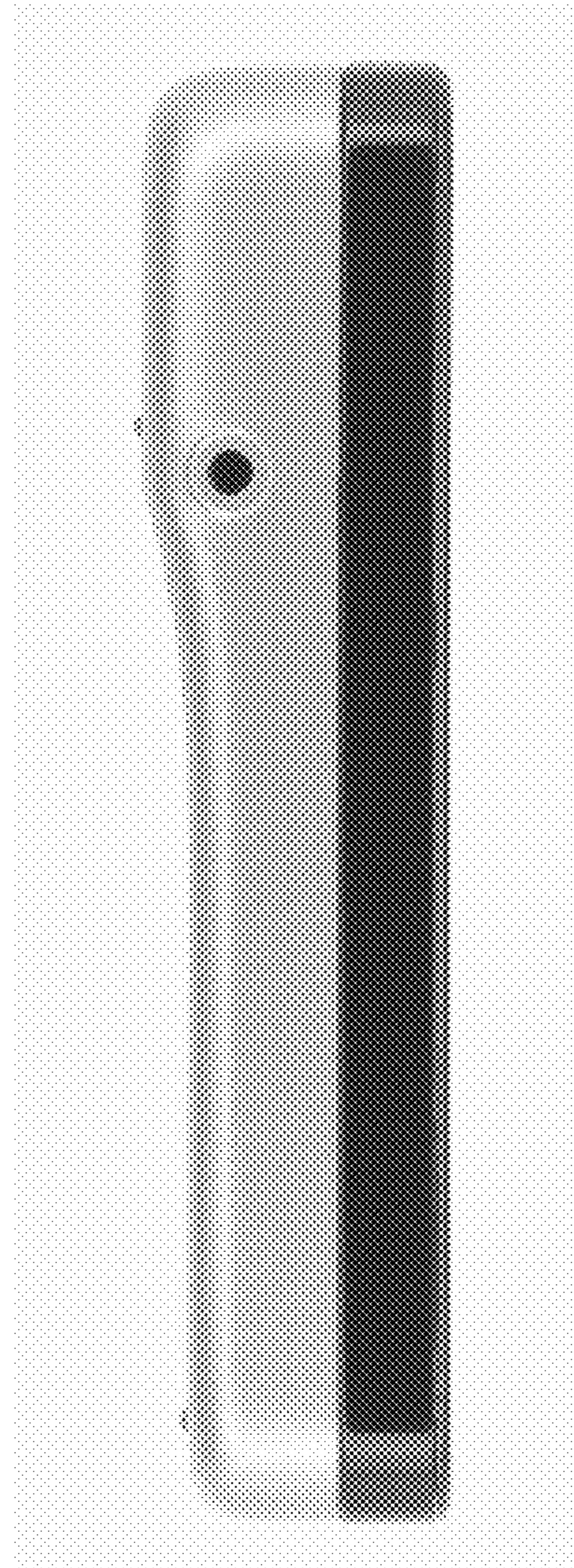




Fig. 9



Fig. 10





Fig. 11



Fig. 12

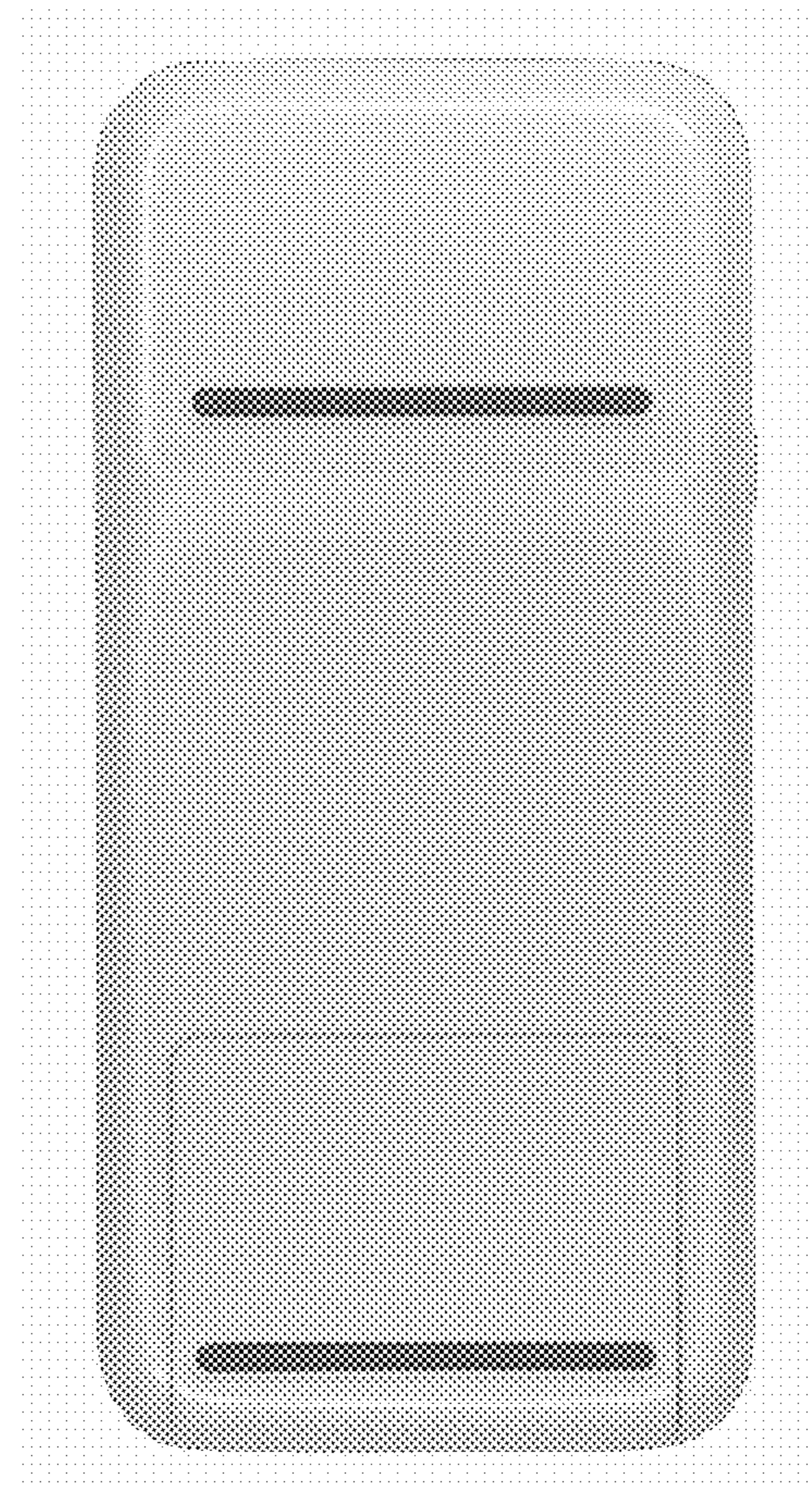


Fig. 13

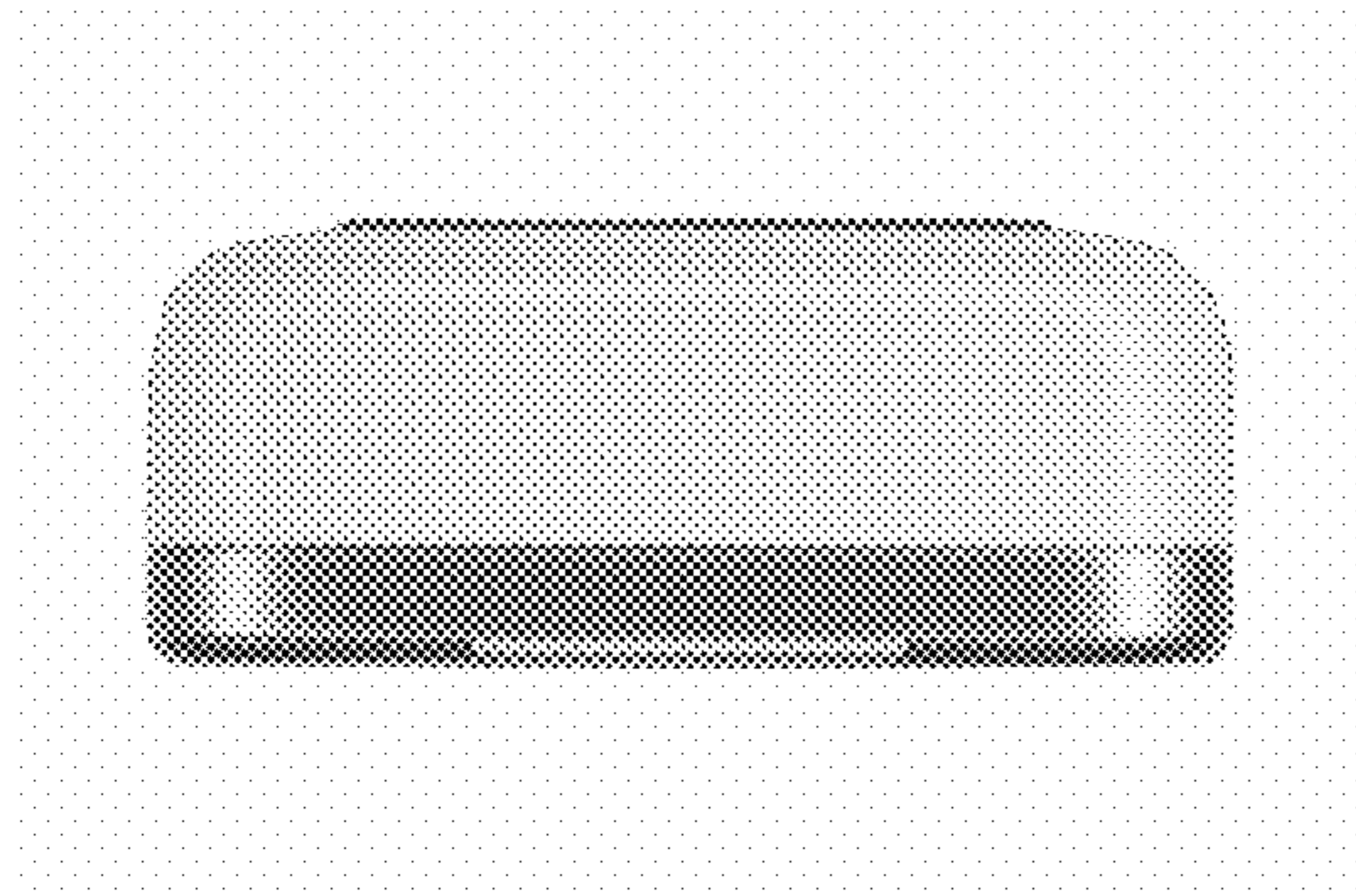


Fig. 14

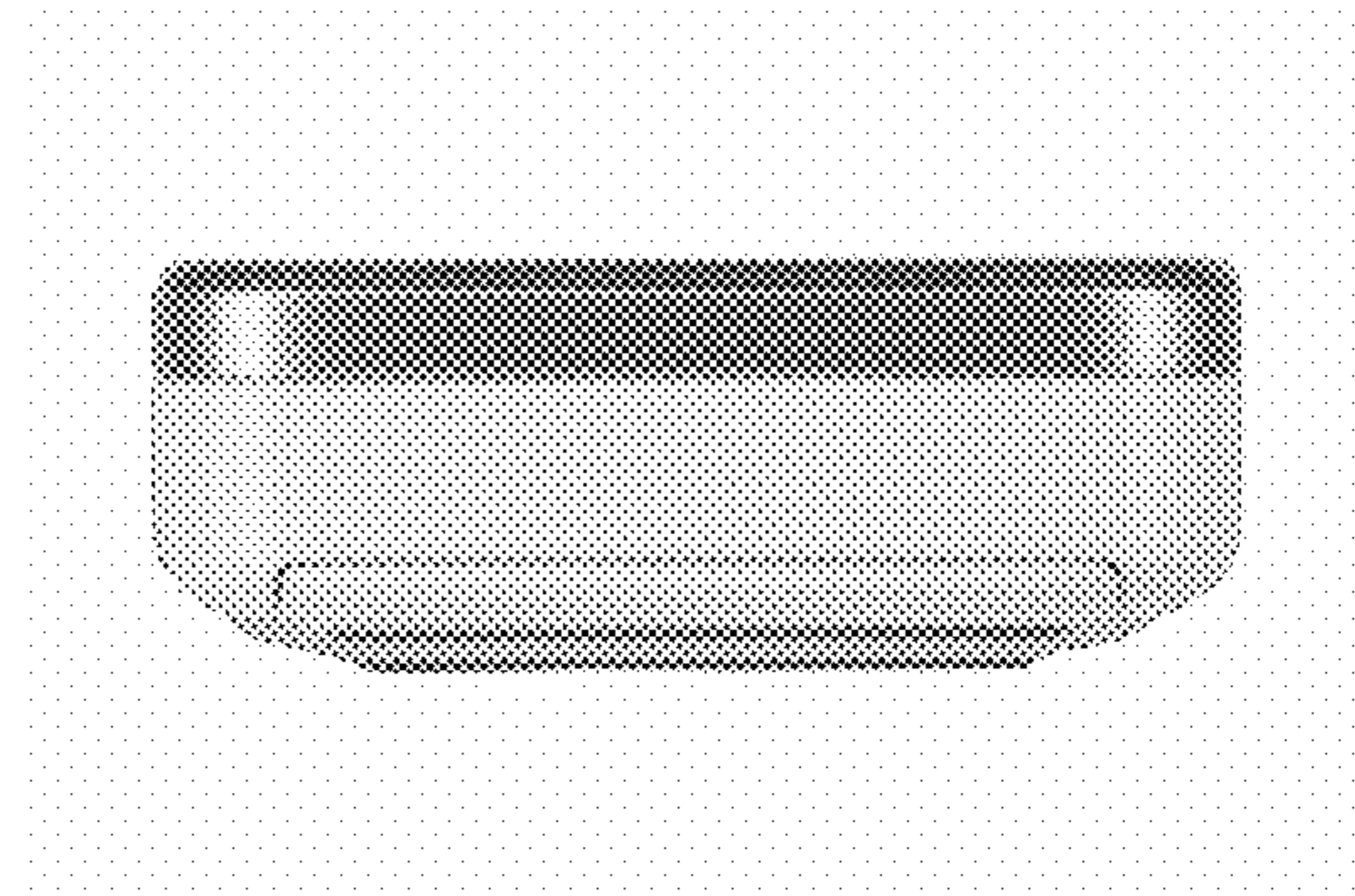




Fig. 15

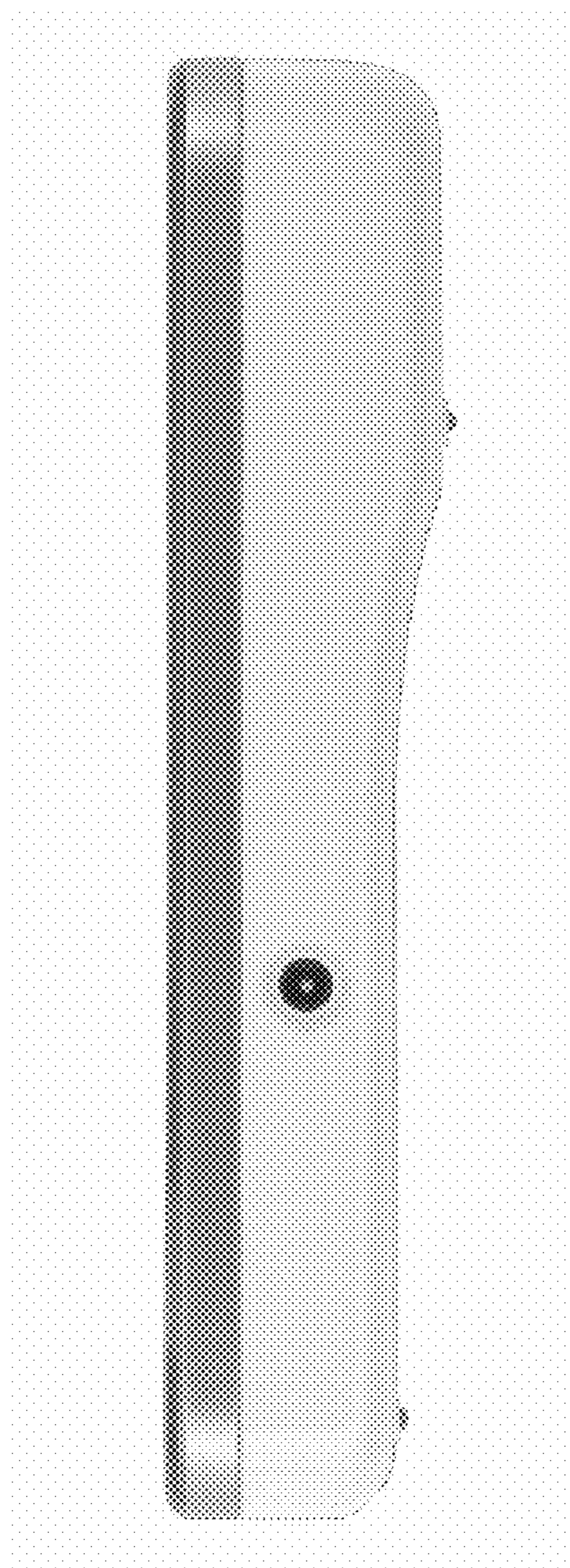


Fig. 16

