



US00D582032S

(12) **United States Design Patent**
Bizup et al.

(10) **Patent No.:** **US D582,032 S**
(45) **Date of Patent:** **** Dec. 2, 2008**

(54) **VENOUS ACCESS PORT SEPTUM WITH TACTILE LOCATING FEATURE**

5,792,104 A * 8/1998 Speckman et al. 604/288.02
5,989,216 A * 11/1999 Johnson et al. 604/288.02
6,086,555 A 7/2000 Eliassen et al.

(75) Inventors: **Raymond Bizup**, Feasterville, PA (US);
Timothy Schweikert, Levittown, PA (US)

(Continued)

(73) Assignee: **Medical Components, Inc.**,
Harleysville, PA (US)

Primary Examiner—Louis S Zarfaz
Assistant Examiner—Eric L Goodman

(74) *Attorney, Agent, or Firm*—Anton P. Ness; Fox Rothschild LLP

(**) Term: **14 Years**

(57) **CLAIM**

(21) Appl. No.: **29/269,692**

The ornamental design for a venous access port septum with tactile locating feature, as shown and described.

(22) Filed: **Dec. 5, 2006**

Related U.S. Application Data

DESCRIPTION

(63) Continuation of application No. 29/249,244, filed on Sep. 28, 2006.

FIG. 1 is an isometric view of a venous access port septum according to a first embodiment of the present invention.

(51) **LOC (8) Cl.** **24-02**

FIG. 2 is a top view of the venous access port septum shown in FIG. 1.

(52) **U.S. Cl.** **D24/129**

FIG. 3 is an elevation view of the venous access port septum shown in FIG. 1, and left, rear and right side views of the septum are identical.

(58) **Field of Classification Search** D24/129,
D24/130; 604/86, 88, 167.62, 201–206,
604/288.02; D11/1–2, 40–43, 65–69, 82–86,
D11/99–102, 104–105, 116, 222–228; 24/92,
24/94, 95, 100, 113.12, 9 C, 9 E; 63/1.1,
63/2, 20, 18

FIG. 4 is an isometric view of a access port septum according to an alternative embodiment of the present invention.

See application file for complete search history.

FIG. 5 is a top view of a venous access port septum shown in FIG. 4; and,

(56) **References Cited**

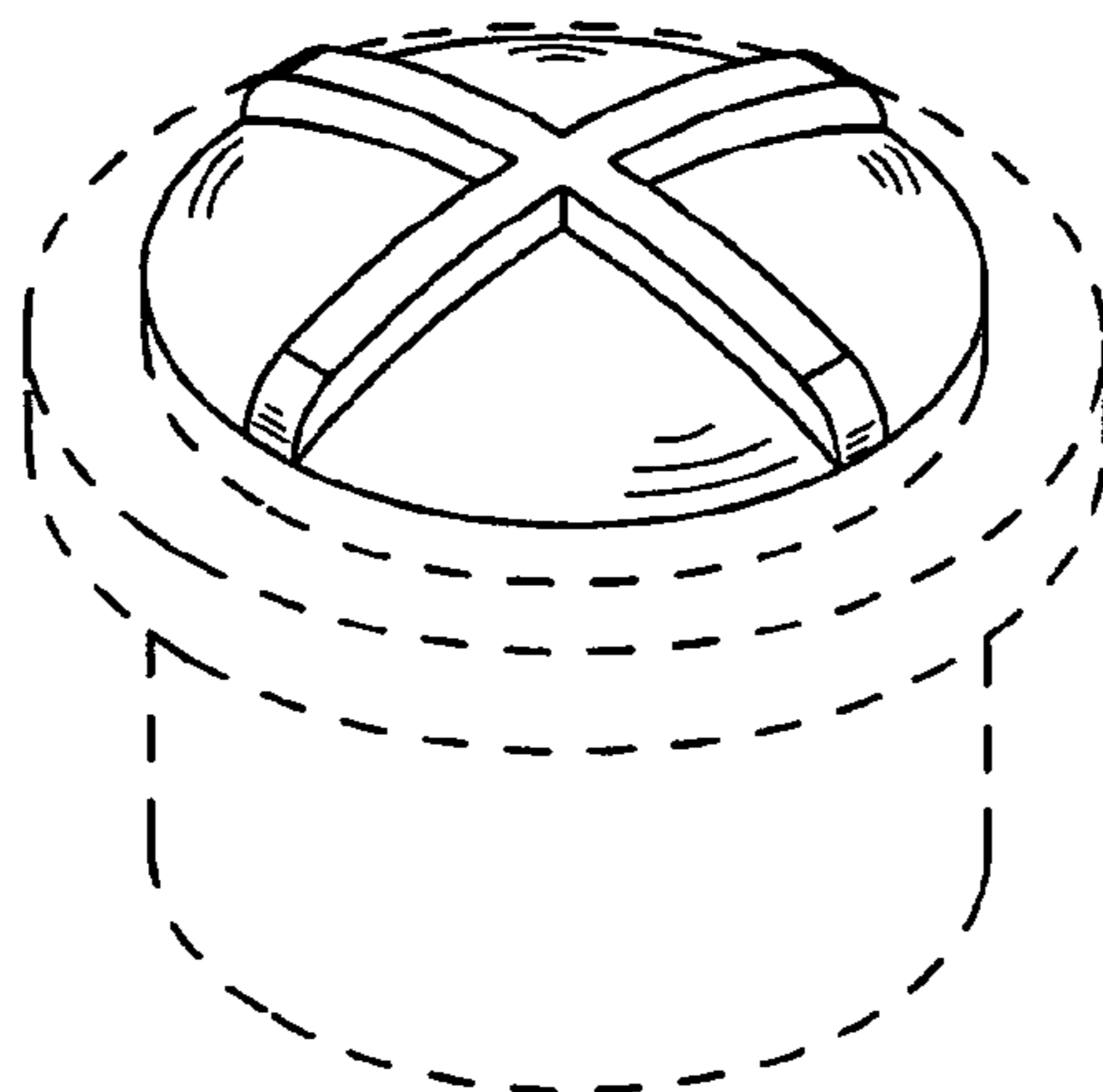
FIG. 6 is an elevation view of the venous access port septum shown in FIG. 4, the left, rear and right side views of the septum being identical.

U.S. PATENT DOCUMENTS

D44,302 S *	7/1913	Director	D11/227
D130,852 S *	12/1941	Rothschild	D11/223
4,559,043 A *	12/1985	Whitehouse et al.	604/201
4,673,394 A	6/1987	Fenton, Jr. et al.		
4,904,241 A *	2/1990	Bark	604/288.02
5,013,298 A *	5/1991	Moden et al.	604/288.02
5,167,629 A	12/1992	Vertenstein et al.		
D342,134 S *	12/1993	Mongeon	D24/127
5,360,407 A	11/1994	Leonard		
5,556,381 A	9/1996	Ensminger et al.		
5,593,028 A *	1/1997	Haber et al.	206/221
5,620,419 A	4/1997	Lui et al.		

The characteristic feature of the design resides in a topographically distinct structure on the exposed top surface of the septum, which structure is palpable beneath subcutaneous tissue of a patient in whom the venous access port is to be implanted. Broken lines in the drawing represent those portions of the septum which form no part of the design to be patented. Other portions of a venous access port in which the septum of the drawing is used, form no part of the design to be patented. The bottom view is omitted because the bottom forms no part of the design to be patented.

1 Claim, 2 Drawing Sheets



US D582,032 S

Page 2

U.S. PATENT DOCUMENTS

6,090,066	A	7/2000	Schnell				
6,527,754	B1	3/2003	Tallarida et al.				
D480,942	S *	10/2003	Ishida et al.	D8/356			
D498,894	S *	11/2004	Gould	D99/27			
D518,573	S *	4/2006	French	D24/129			
2006/0116648	A1 *	6/2006	Hamatake	604/288.02			
2006/0184141	A1 *	8/2006	Smith et al.	604/288.02			
2006/0217659	A1	9/2006	Patton				
2006/0217668	A1 *	9/2006	Schulze et al.	604/175			
2006/0224129	A1	10/2006	Beasley et al.				
2006/0247584	A1 *	11/2006	Sheetz et al.	604/288.02			
2006/0264898	A1 *	11/2006	Beasley et al.	604/506			
2007/0078391	A1 *	4/2007	Wortley et al.	604/116			
2007/0185462	A1 *	8/2007	Byrum	604/288.02			
2007/0255226	A1 *	11/2007	Tennican et al.	604/205			
2007/0270770	A1 *	11/2007	Bizup	604/288.02			
2007/0276344	A1 *	11/2007	Bizup et al.	604/288.02			

* cited by examiner

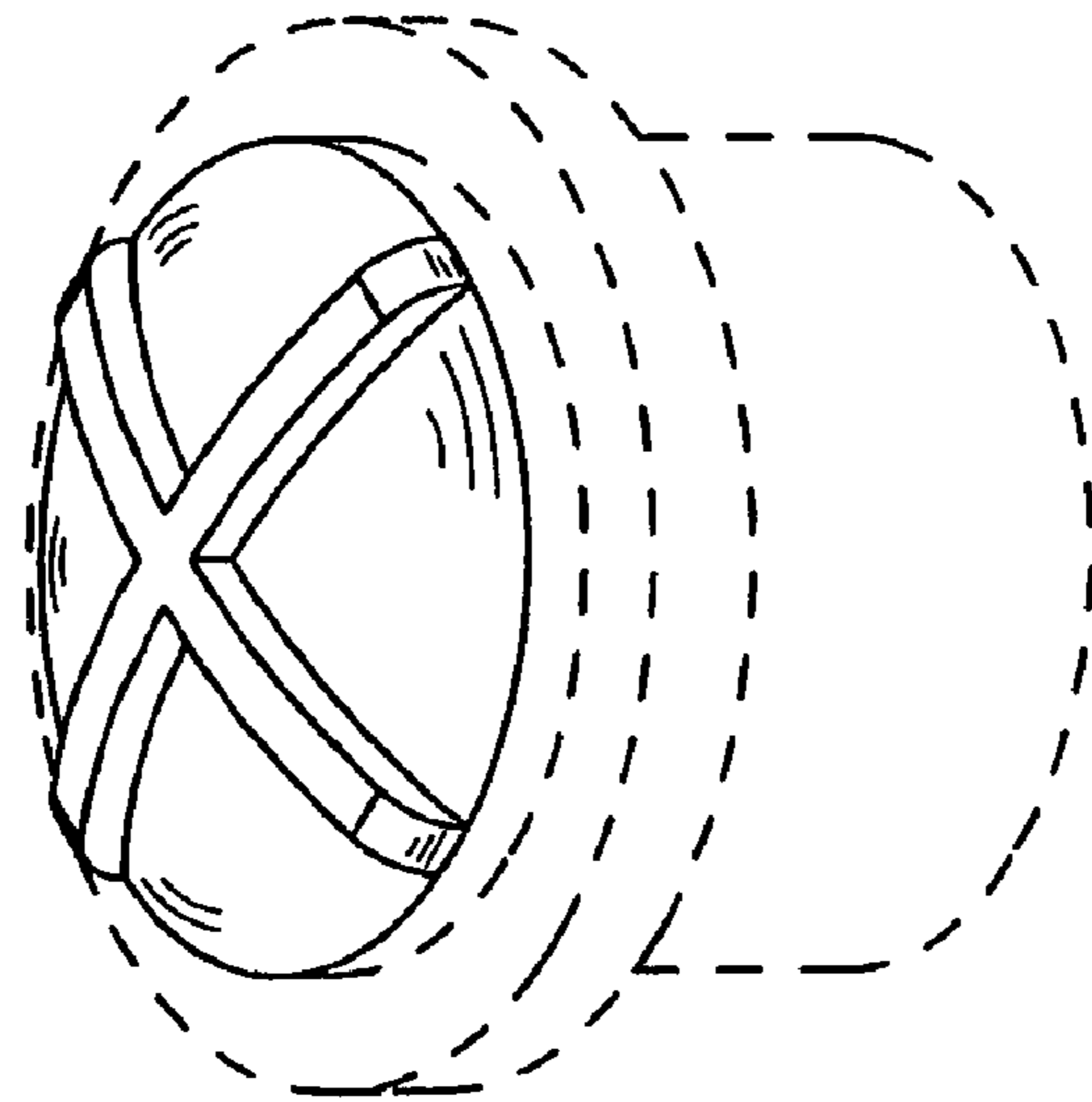


FIG. 1

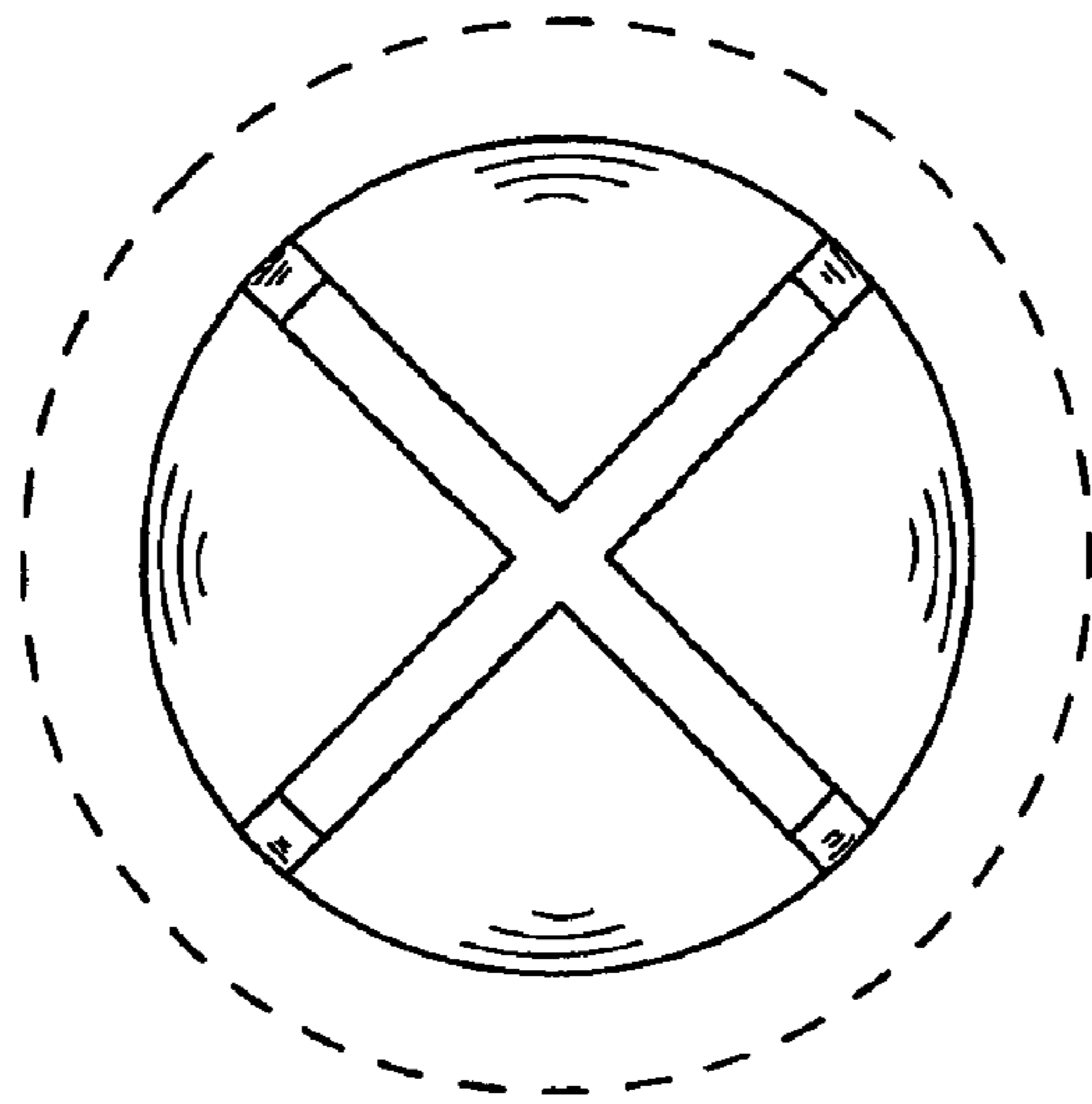


FIG. 2

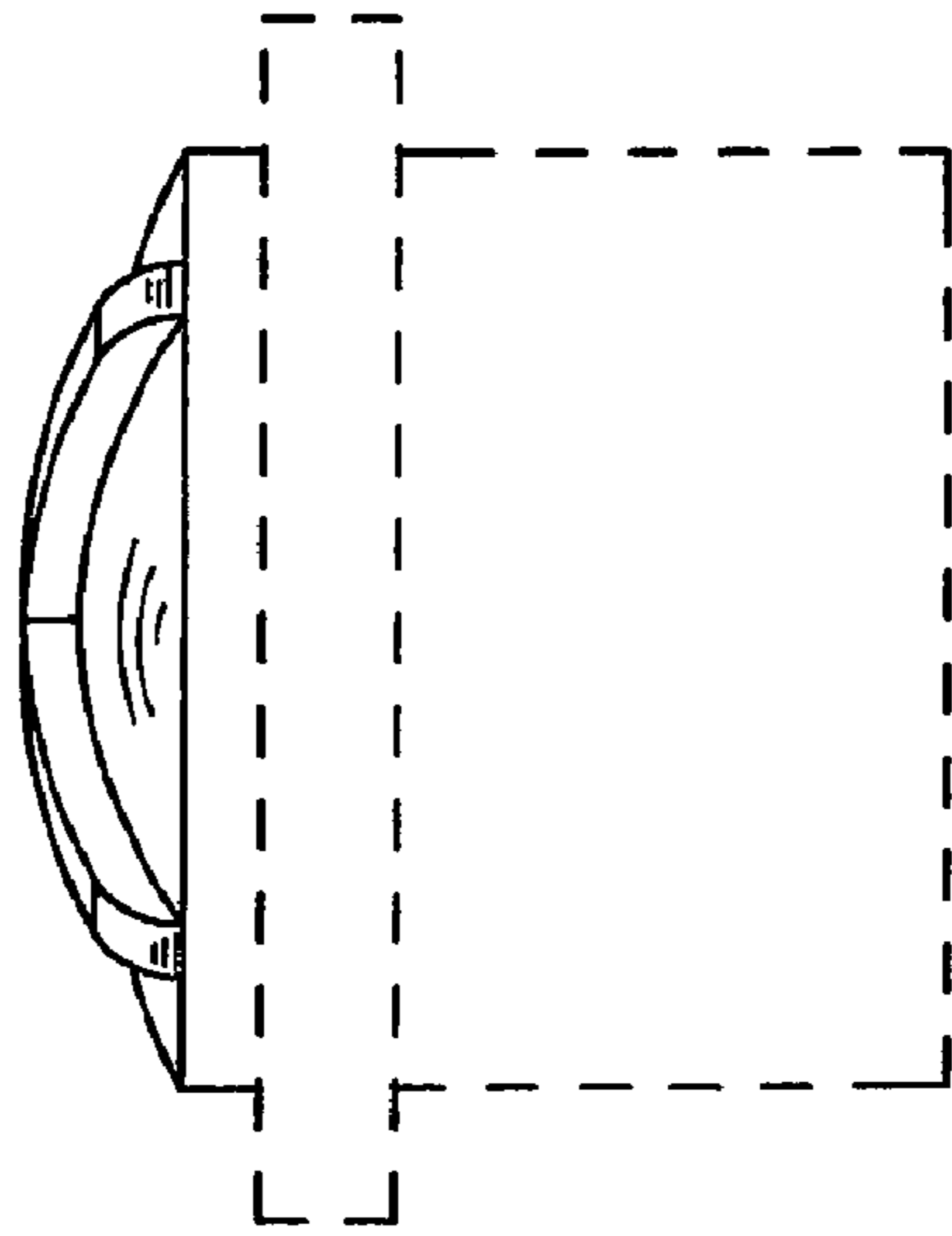


FIG. 3

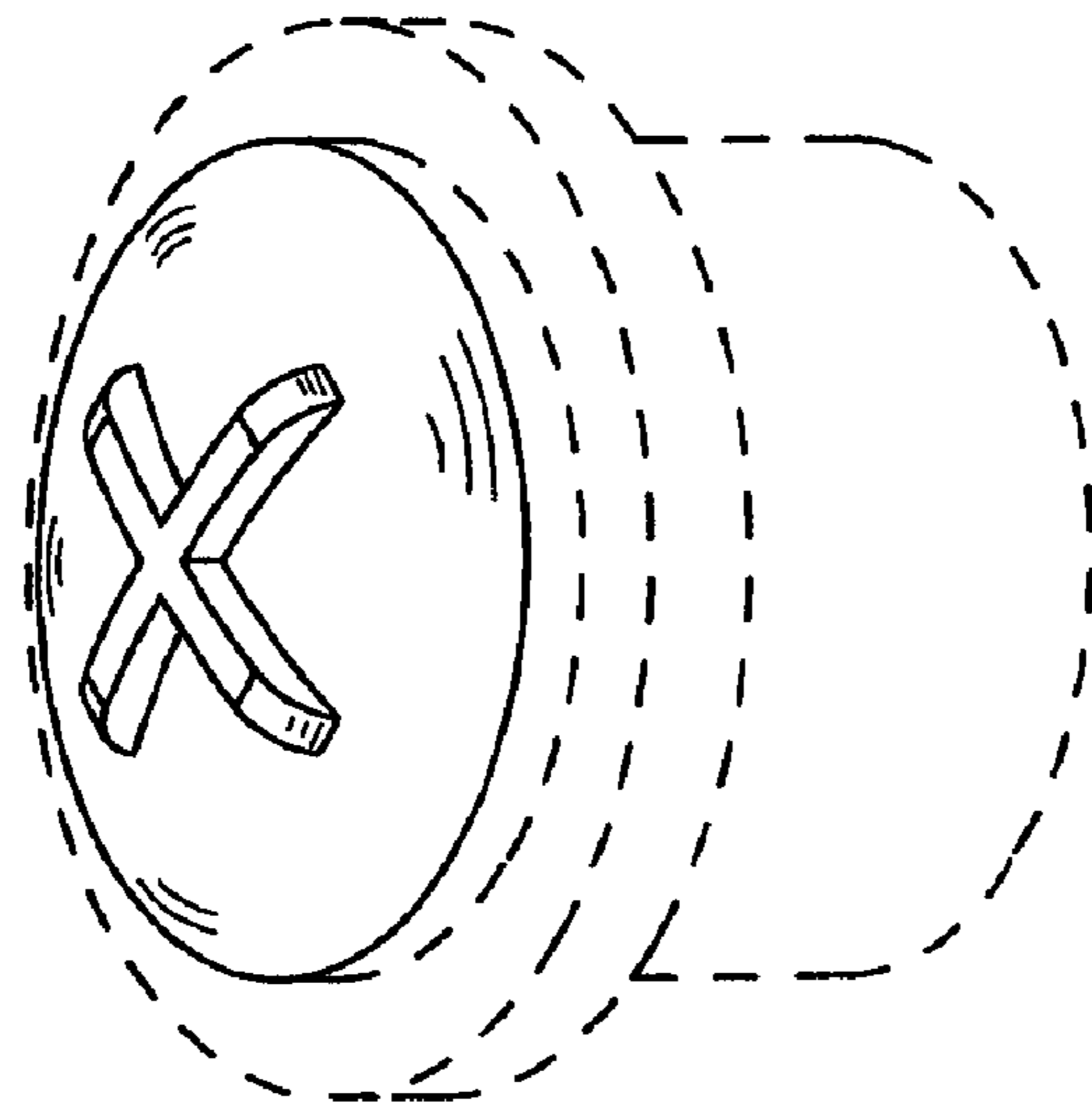


FIG. 4

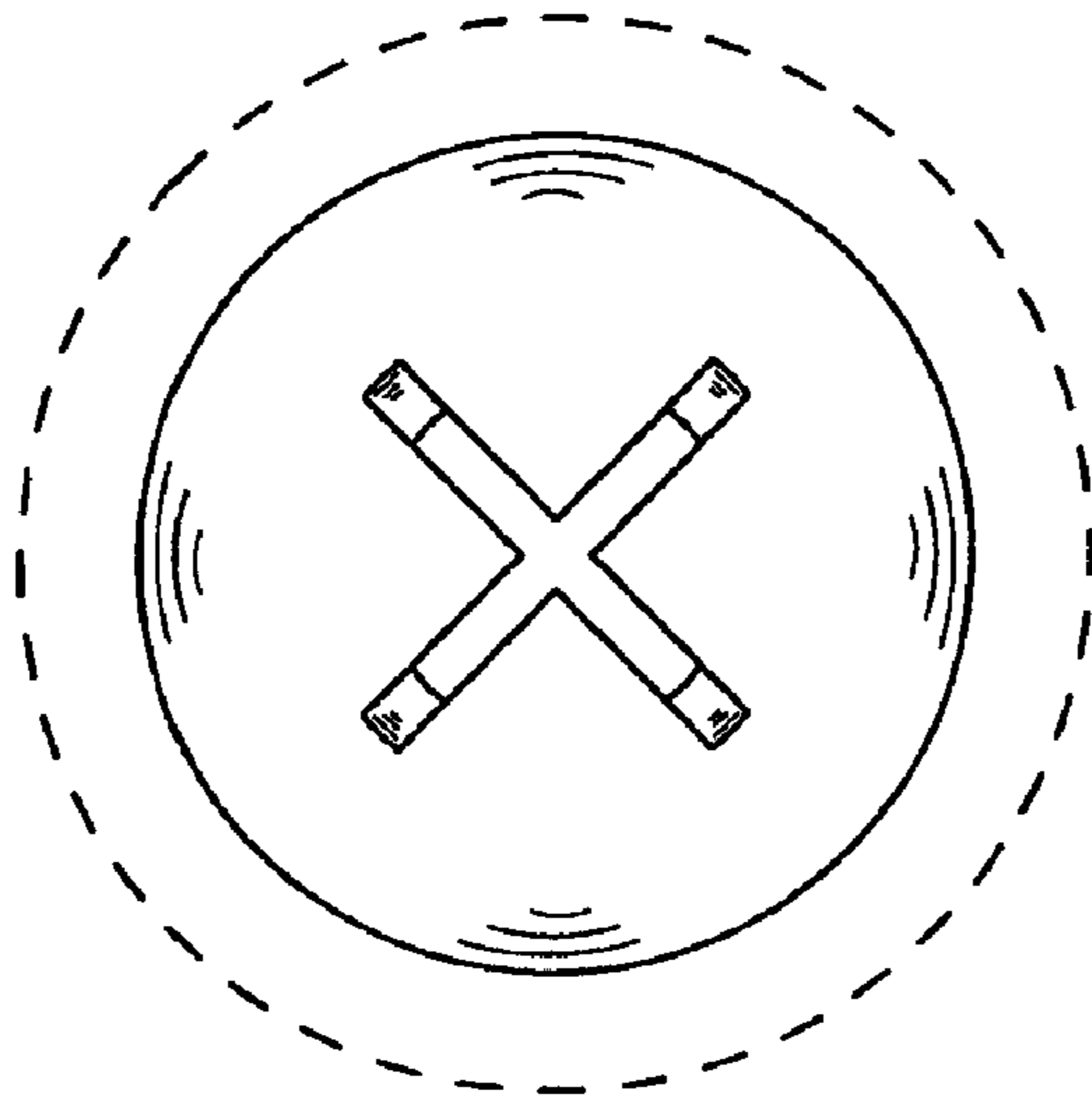


FIG. 5

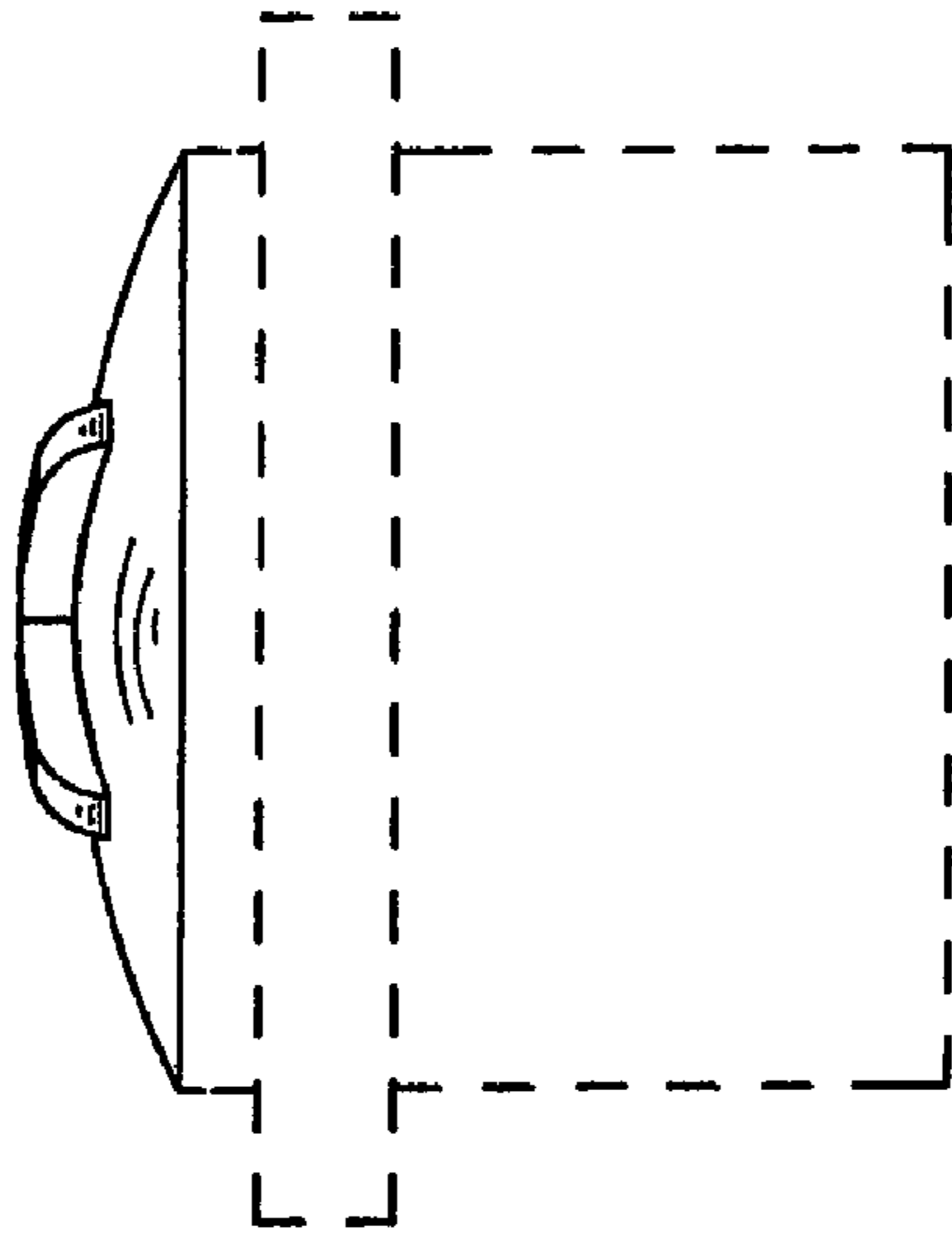


FIG. 6