



US00D582031S

(12) **United States Design Patent**
Sørensen et al.

(10) **Patent No.:** **US D582,031 S**
(45) **Date of Patent:** **** Dec. 2, 2008**

(54) **ANAESTHESIA FACE MASK**

(75) Inventors: **Michael Sørensen**, Jyllinge (DK); **Erik Stentoft**, Frederiksberg C (DK)

(73) Assignee: **AMBU A/S**, Ballerup (DK)

(**) Term: **14 Years**

(21) Appl. No.: **29/287,540**

(22) Filed: **Aug. 17, 2007**

(30) **Foreign Application Priority Data**

Feb. 20, 2007 (EM) 000673694

(51) **LOC (8) Cl.** **29-02**

(52) **U.S. Cl.** **D24/110.4**

(58) **Field of Classification Search** D24/110.1,
D24/110.4, 164; 128/205.25, 206.21, 206.24,
128/206.25, 206.26, 206.28, 207.13

See application file for complete search history.

(56) **References Cited**

U.S. PATENT DOCUMENTS

2,666,432 A * 1/1954 Stanton 128/206.26
4,337,767 A * 7/1982 Yahata 128/206.28
D305,166 S * 12/1989 Quinn et al. D24/110.4
D397,215 S * 8/1998 Hoftman D24/110.4

6,651,661 B2 * 11/2003 Matic 128/205.25
D499,803 S * 12/2004 Chang D24/110.4
7,243,652 B2 * 7/2007 Chang 128/206.26
2002/0096175 A1 * 7/2002 Her 128/206.26
2002/0134388 A1 * 9/2002 Chang 128/206.21
2003/0172932 A1 * 9/2003 Matic 128/206.24

* cited by examiner

Primary Examiner—Ian Simmons

Assistant Examiner—Christopher Lee

(74) *Attorney, Agent, or Firm*—Dykema Gossett PLLC

(57) **CLAIM**

The ornamental design for an anaesthesia face mask, as shown and described.

DESCRIPTION

FIG. 1 is a first perspective front view of an anaesthesia face mask showing our new design,

FIG. 2 is a second perspective front view thereof,

FIG. 3 is a front view thereof,

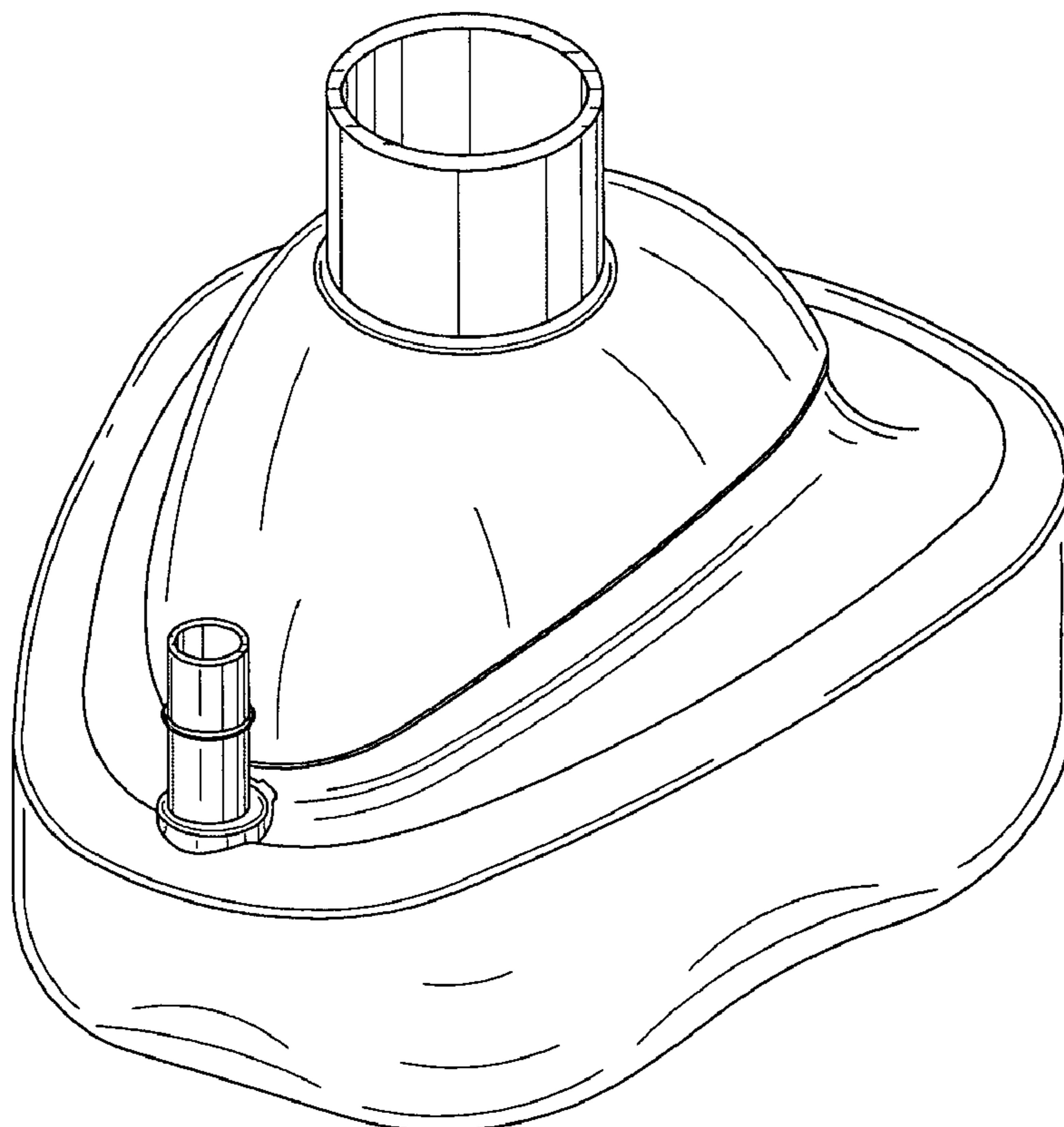
FIG. 4 is a right side view thereof,

FIG. 5 is a left side view thereof,

FIG. 6 is a top plan view thereof; and,

FIG. 7 is a bottom plan view thereof.

1 Claim, 4 Drawing Sheets



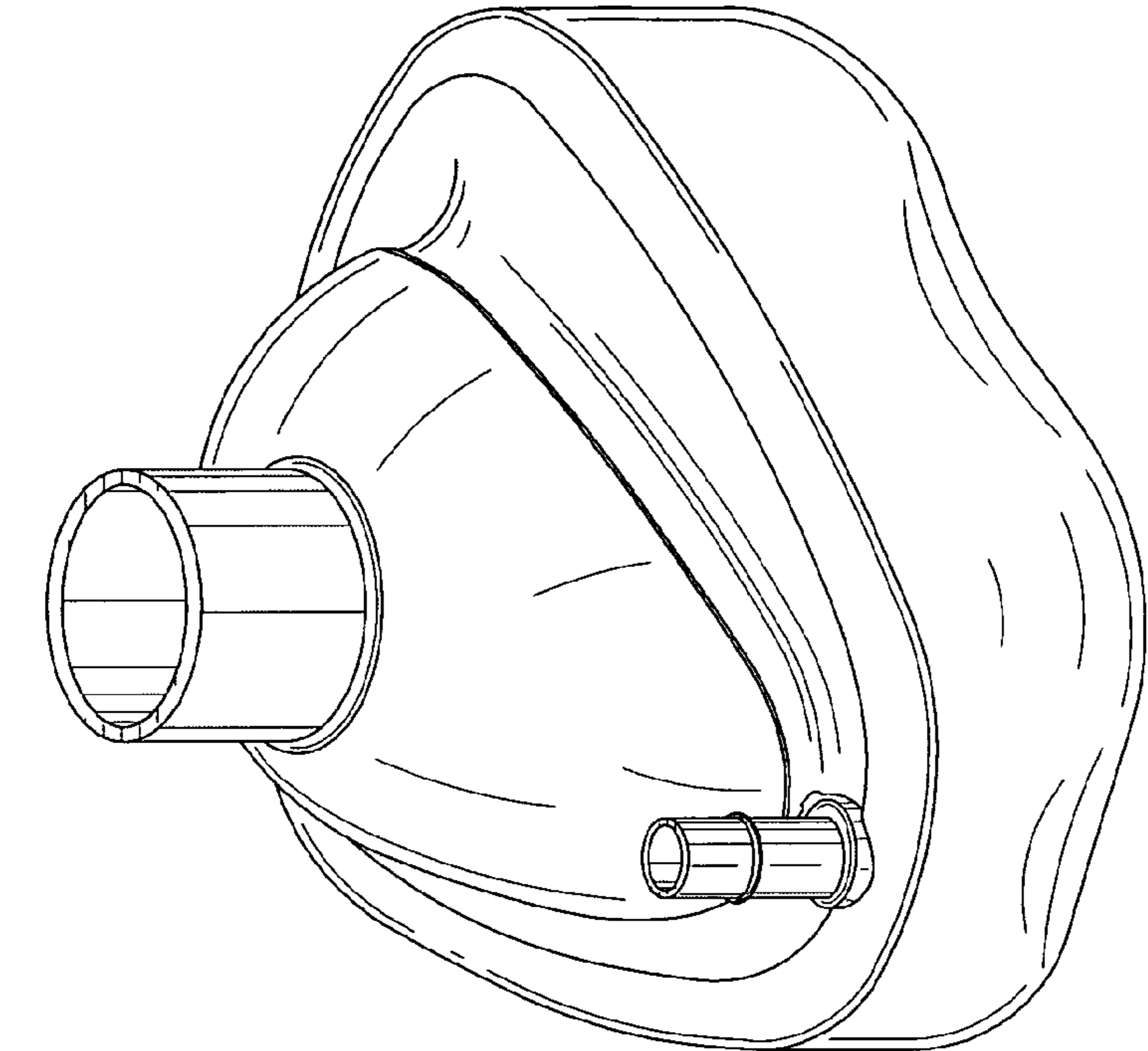


FIG. 2

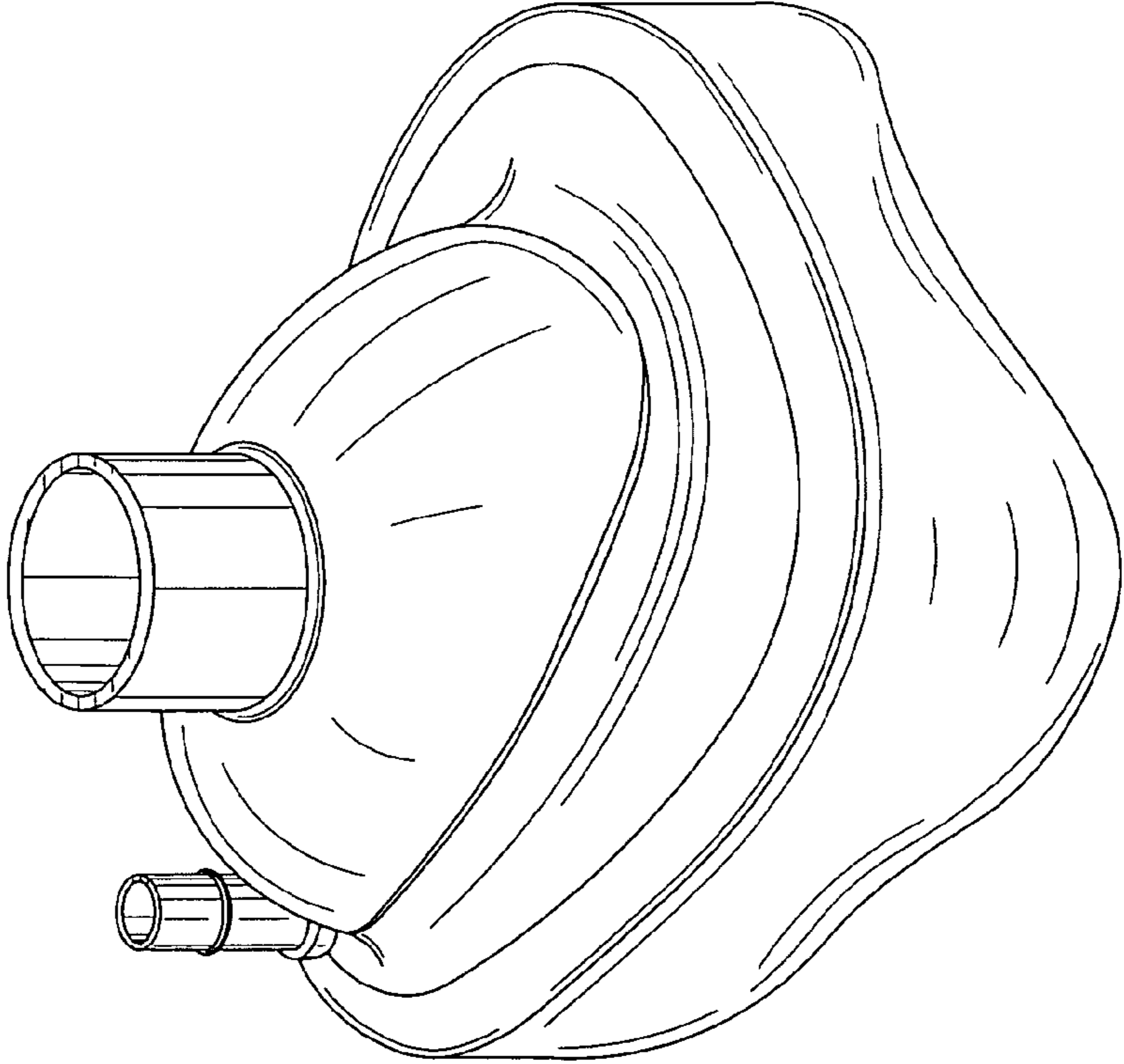


FIG. 1

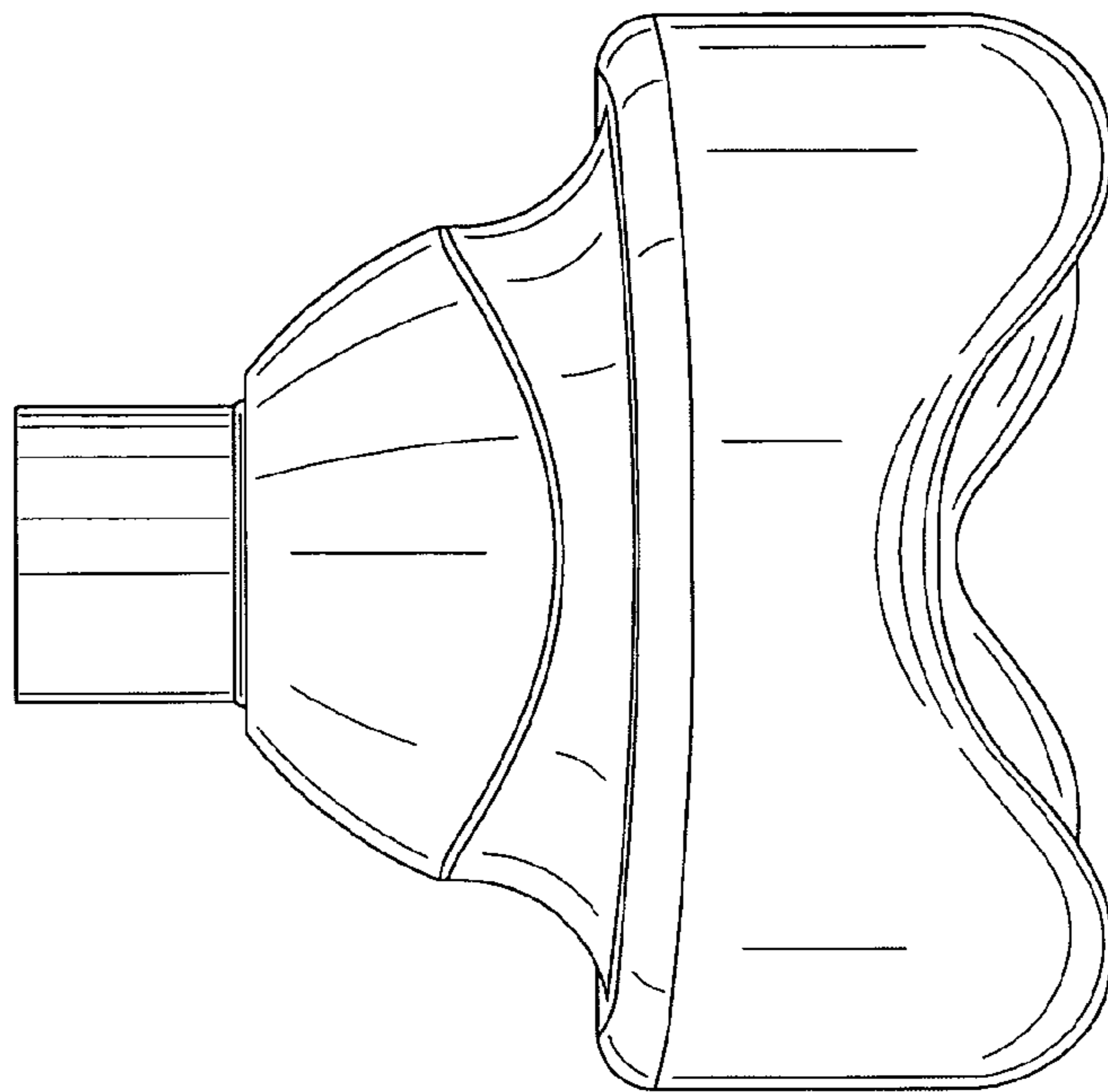


FIG. 4

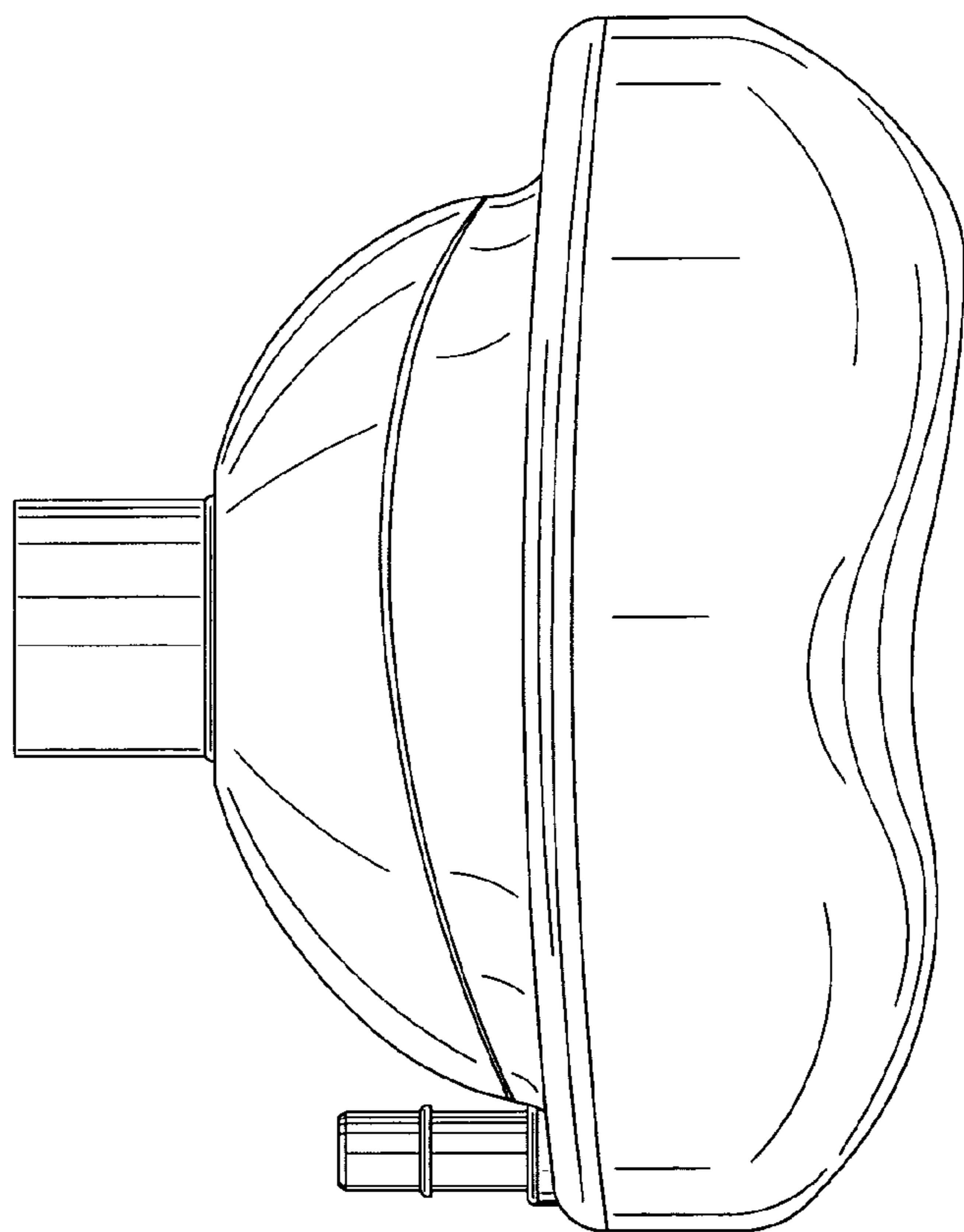


FIG. 3

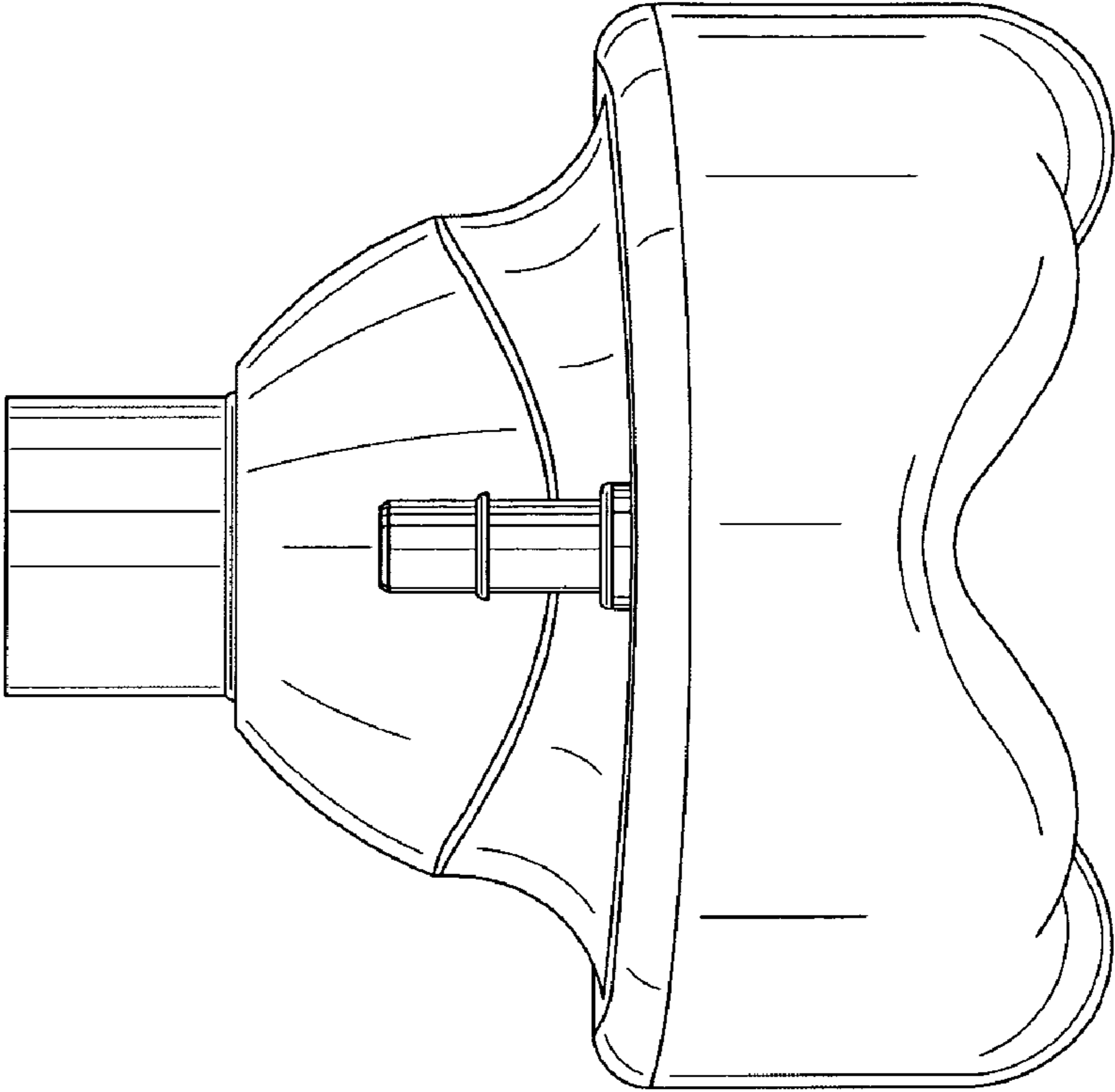


FIG. 5

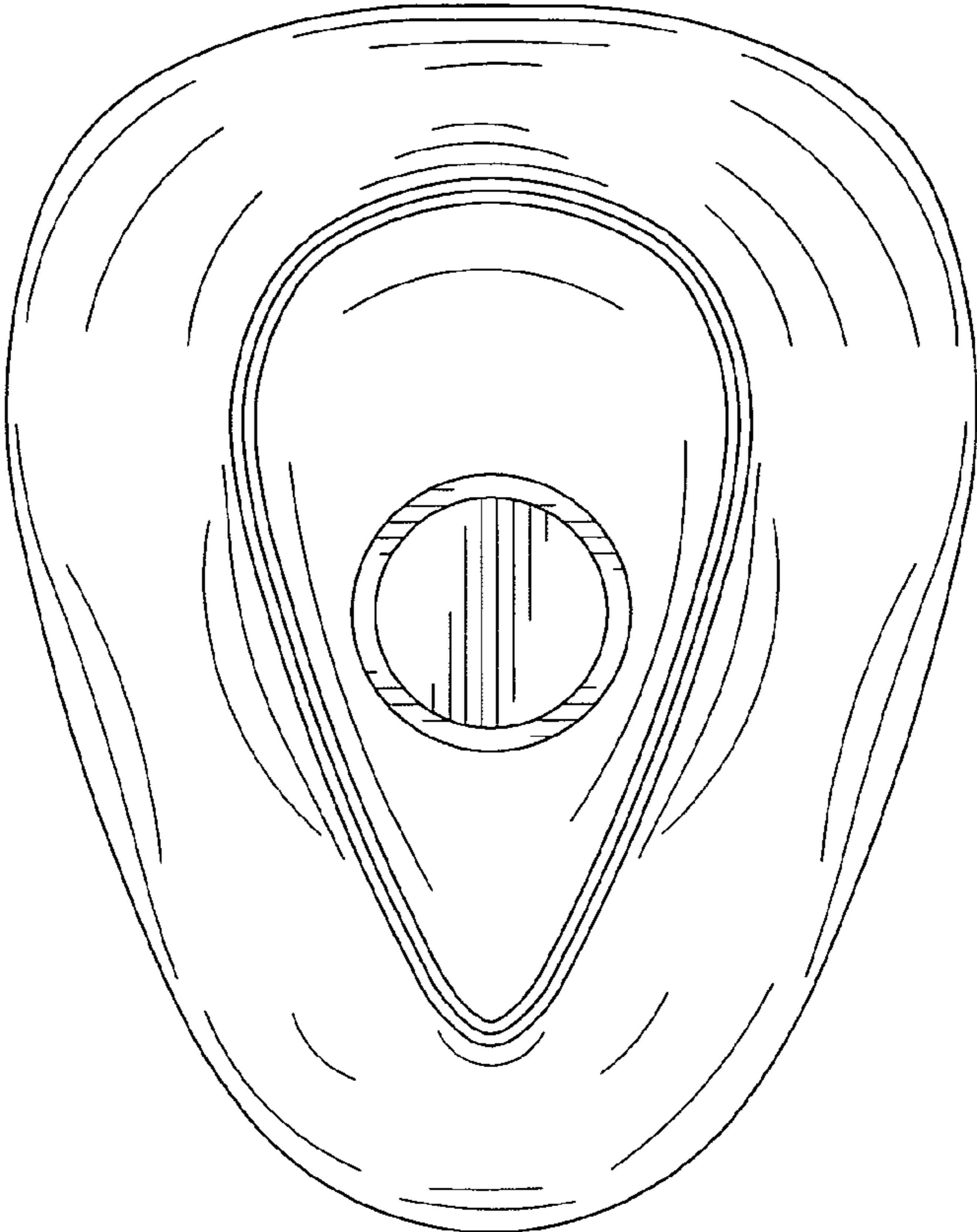


FIG. 7

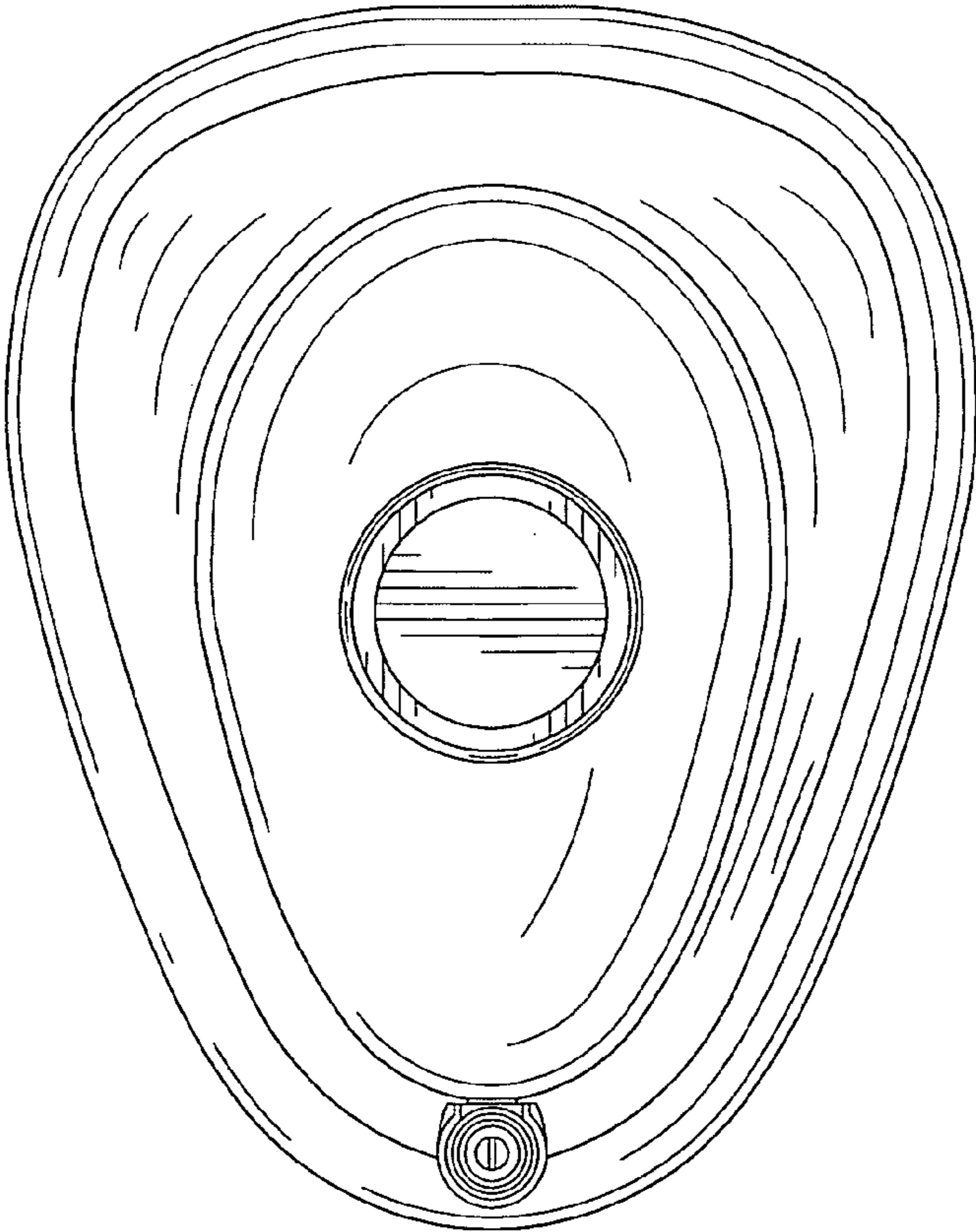


FIG. 6