



US00D582030S

(12) **United States Design Patent**  
**Pickett**

(10) **Patent No.:** **US D582,030 S**  
(45) **Date of Patent:** **\*\* Dec. 2, 2008**

(54) **FAN BLADE BRACKET**

(76) Inventor: **Mark Pickett**, 1419 E. Palm St.,  
Altadena, CA (US) 91001

(\*\*) Term: **14 Years**

(21) Appl. No.: **29/305,746**

(22) Filed: **Mar. 27, 2008**

(51) **LOC (8) Cl.** ..... **23-04**

(52) **U.S. Cl.** ..... **D23/411**

(58) **Field of Classification Search** ..... D23/377,  
D23/379, 385, 411, 413; 416/5  
See application file for complete search history.

(56) **References Cited**

U.S. PATENT DOCUMENTS

D521,148 S *	5/2006	Stauffer	.....	D23/411
D531,305 S *	10/2006	Glasbrenner	.....	D23/411
D547,857 S *	7/2007	Lee	.....	D23/411

\* cited by examiner

*Primary Examiner*—Lisa P Lichtenstein

(74) *Attorney, Agent, or Firm*—Parsons & Goltry; Michael W. Goltry; Robert A. Parsons

(57) **CLAIM**

The ornamental design for a fan blade bracket, as shown and described.

**DESCRIPTION**

FIG. 1 is a bottom perspective view of a fan blade bracket showing my new design;

FIG. 2 is a top perspective view thereof;

FIG. 3 is a bottom plan view thereof;

FIG. 4 is a top plan view thereof;

FIG. 5 is a right side elevational view thereof;

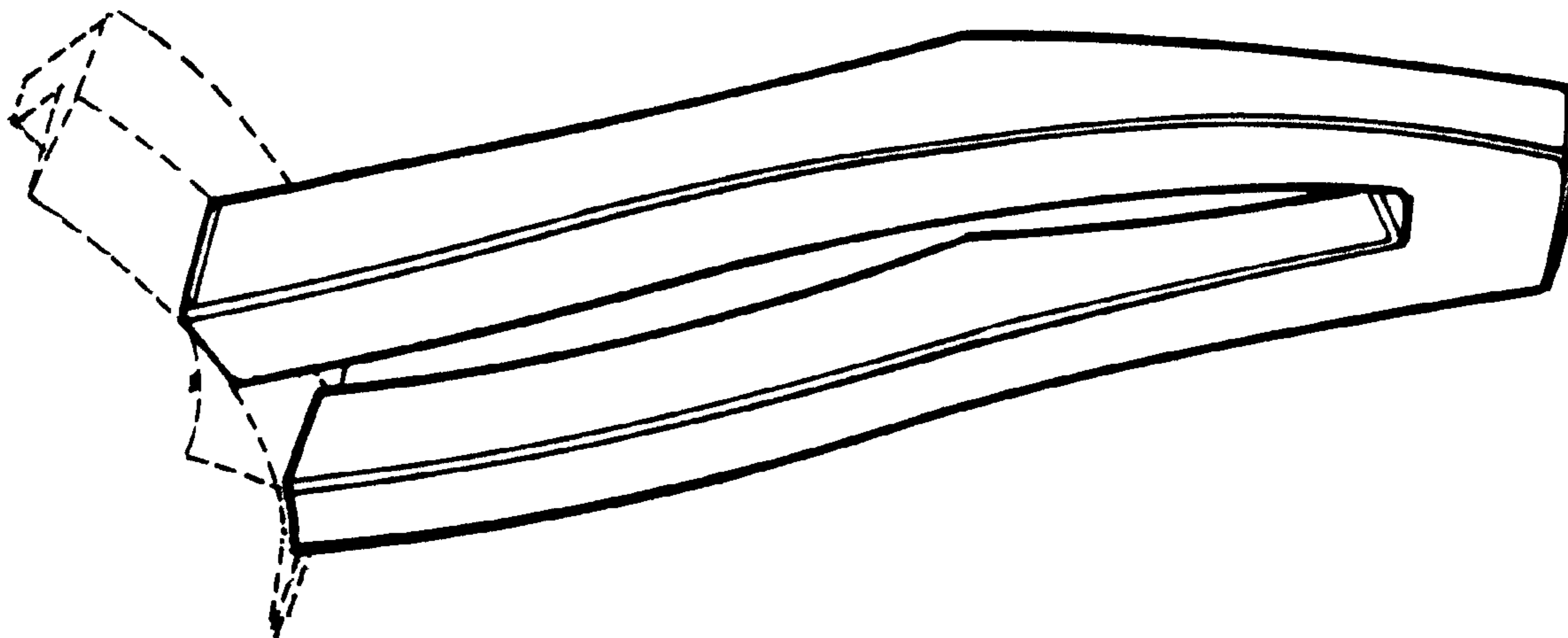
FIG. 6 is a left side elevational view thereof;

FIG. 7 is an enlarged front elevational view thereof; and,

FIG. 8 is an enlarged rear elevational view thereof.

The broken line showing of the fan blade bracket attachment member is included for the purpose of illustrating environmental structure and forms no part of the claimed design.

**1 Claim, 4 Drawing Sheets**



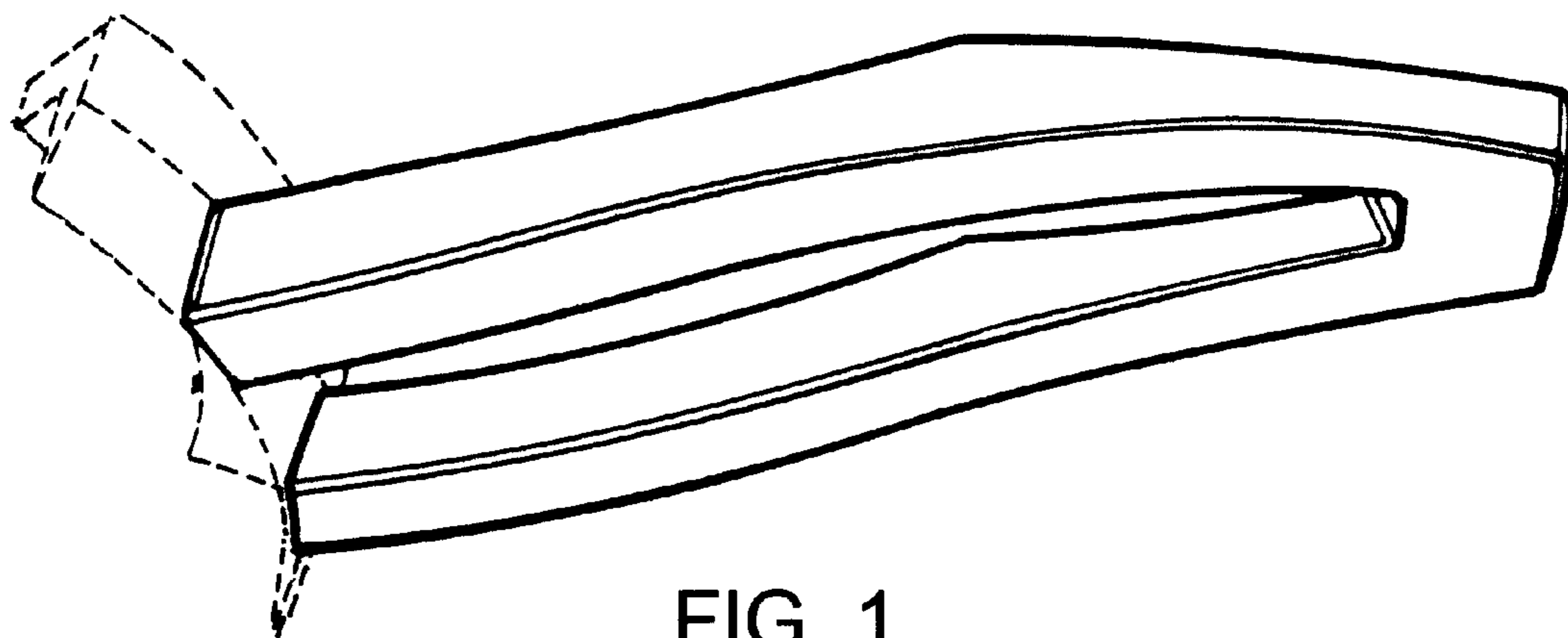


FIG. 1

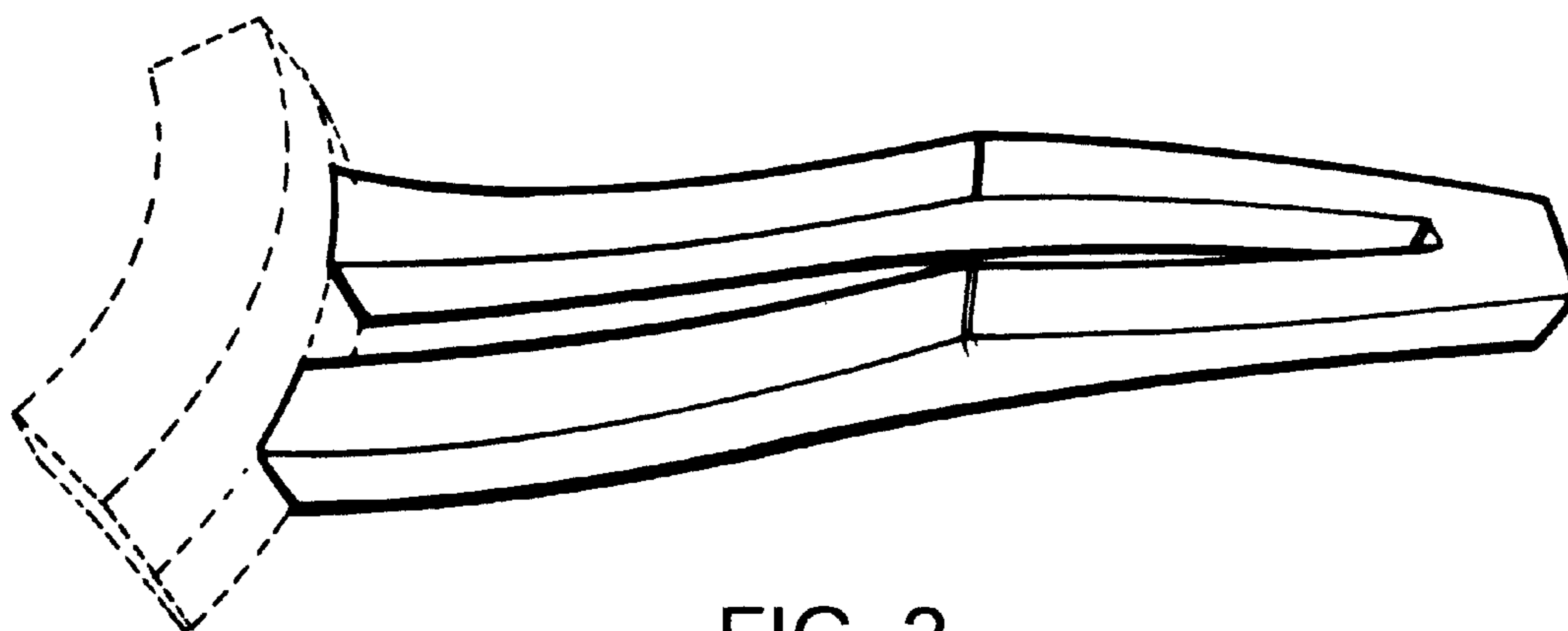


FIG. 2

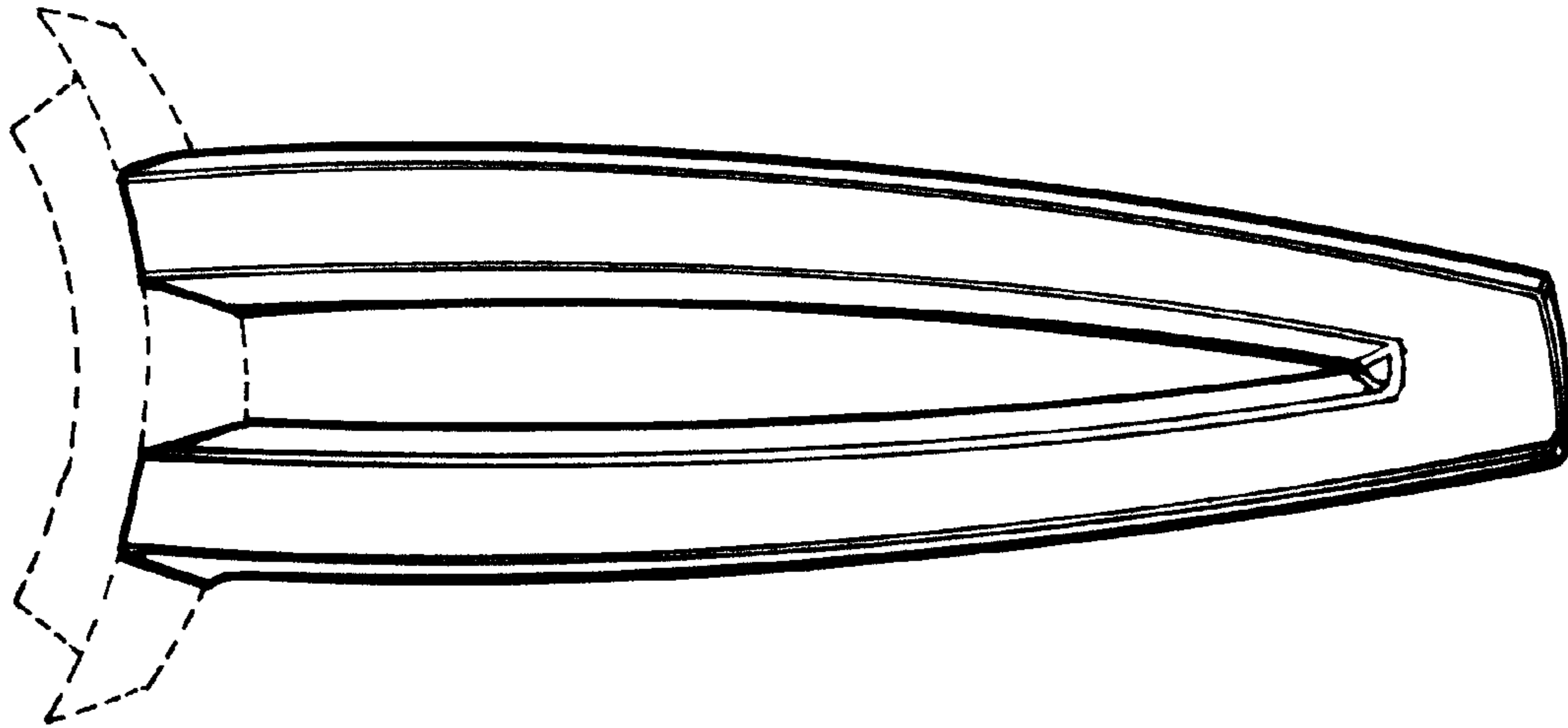


FIG. 3

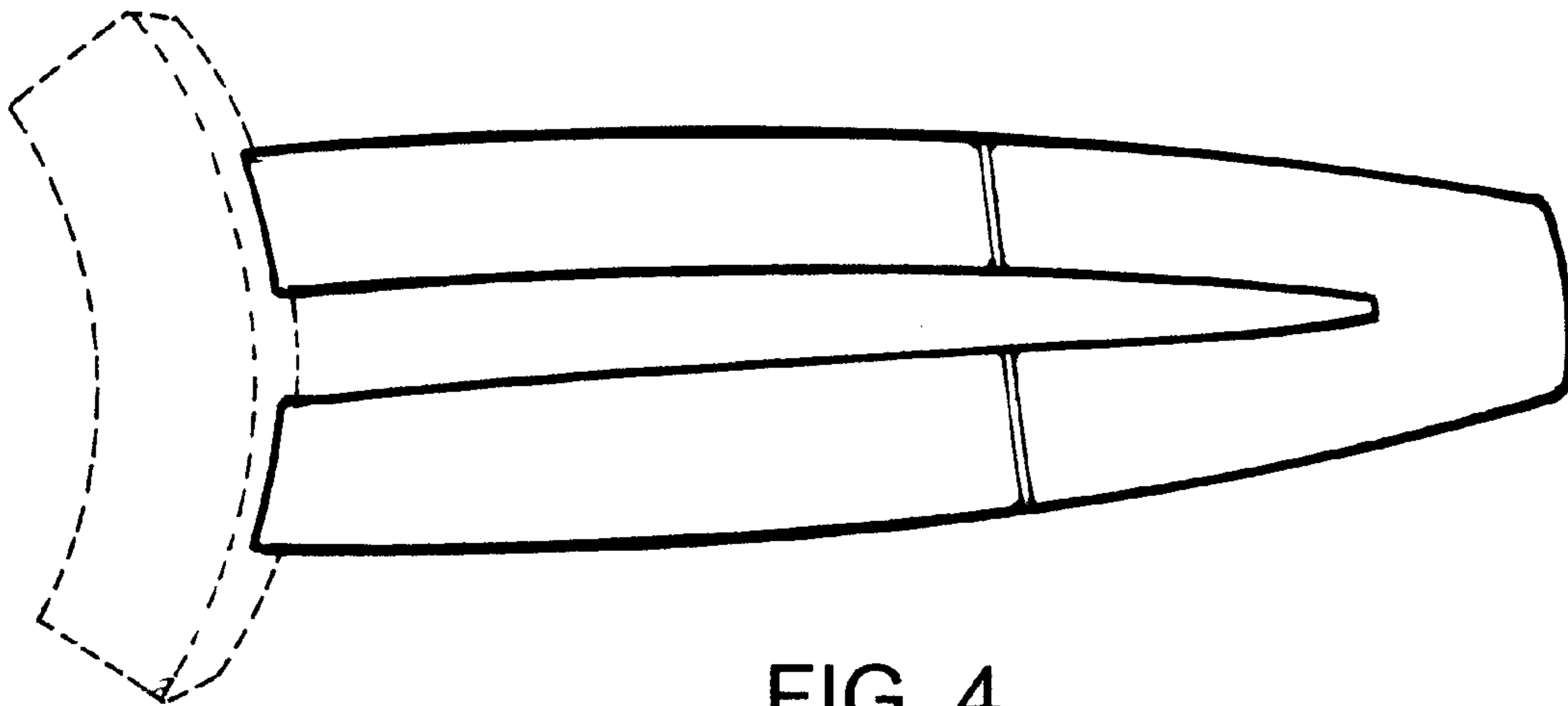


FIG. 4



FIG. 5

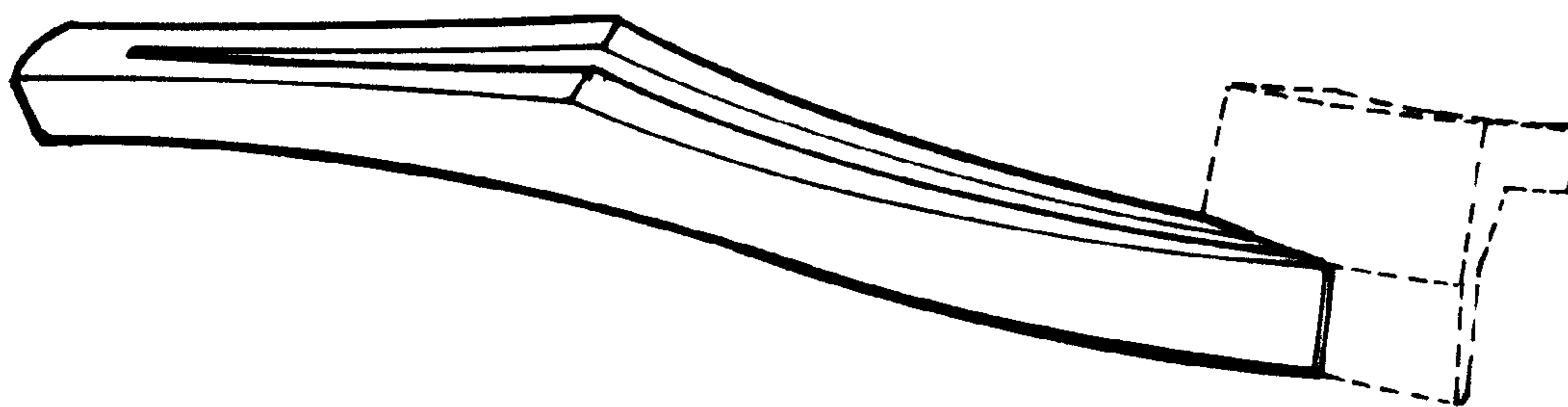


FIG. 6

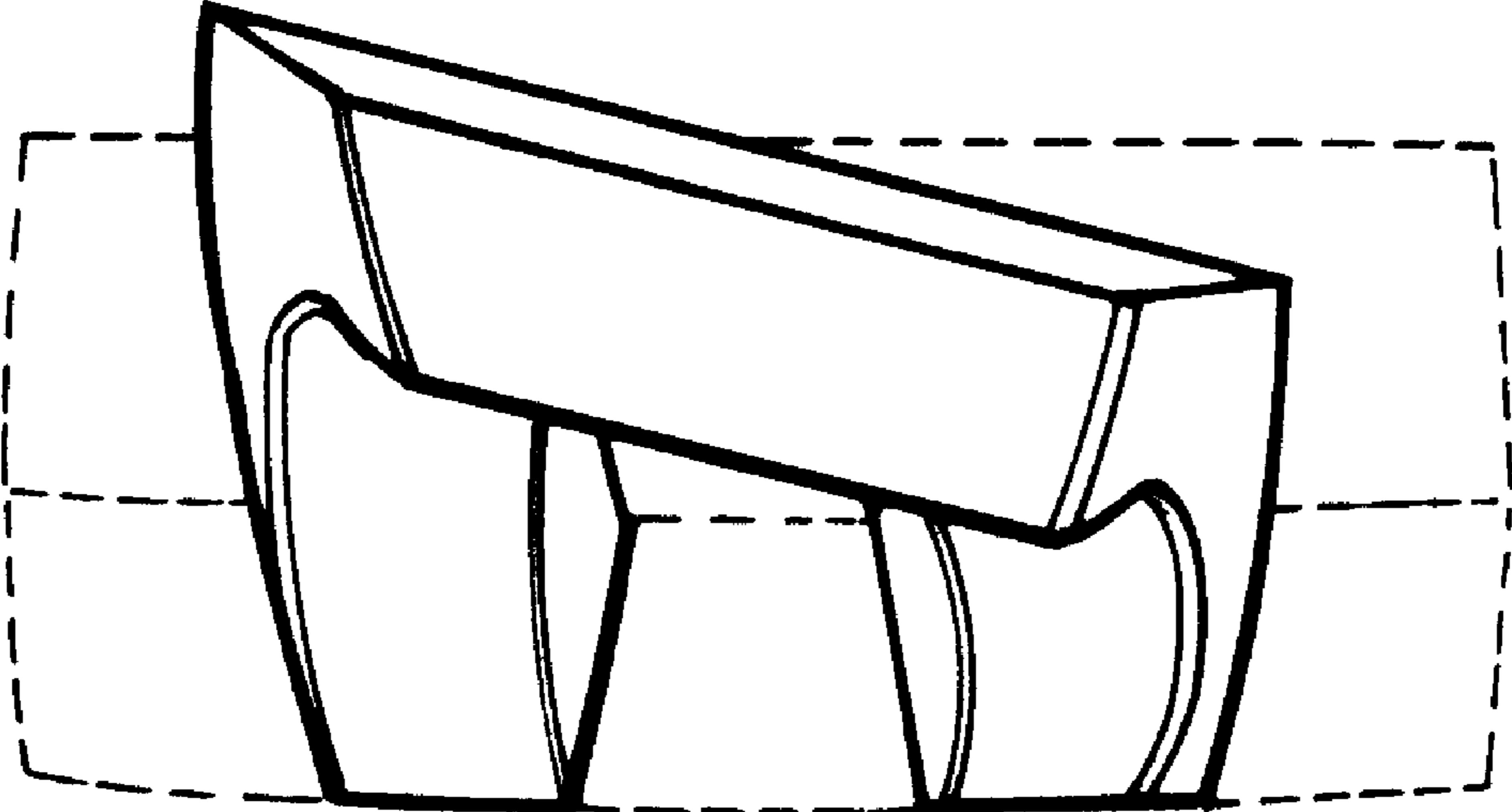


FIG. 7

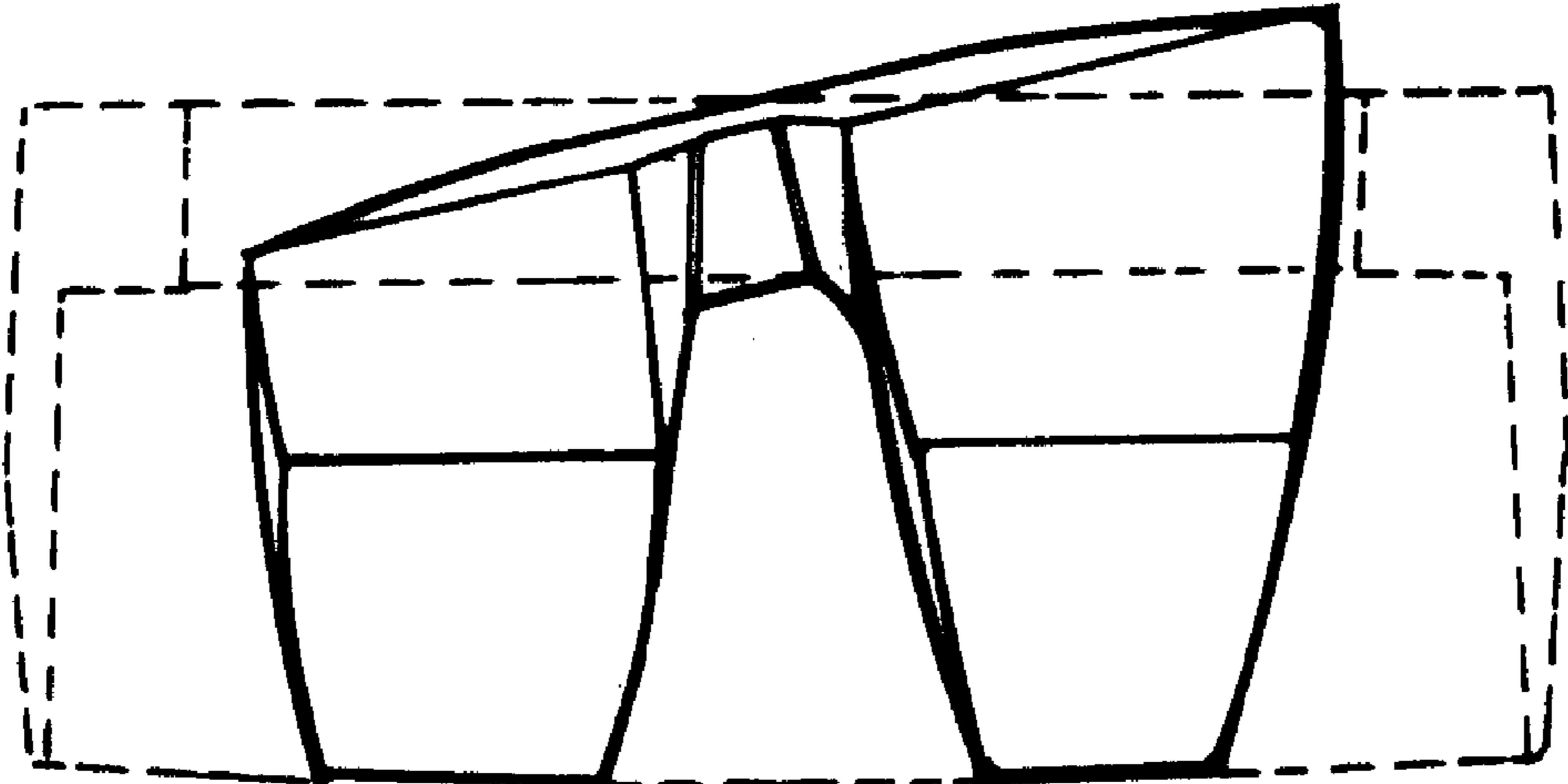


FIG. 8