



US00D582028S

(12) **United States Design Patent**  
**Lai**

(10) **Patent No.:** **US D582,028 S**  
(45) **Date of Patent:** **\*\* Dec. 2, 2008**

(54) **CEILING FAN**

D532,097 S \* 11/2006 Hidalgo et al. .... D23/377

(75) Inventor: **Huo-Cheng Lai**, Tanzih Township,  
Taichung County (TW)

\* cited by examiner

(73) Assignee: **Air Cool Industrial Co., Ltd**, Taichung  
(TW)

*Primary Examiner*—Lisa P Lichtenstein  
(74) *Attorney, Agent, or Firm*—Ming Chow; Sinorica, LLC

(\*\*) Term: **14 Years**

(57) **CLAIM**

(21) Appl. No.: **29/320,717**

I claim the ornamental design for a ceiling fan, as shown and described.

(22) Filed: **Jul. 2, 2008**

**DESCRIPTION**

(51) **LOC (8) Cl.** ..... **23-04**

(52) **U.S. Cl.** ..... **D23/377**

(58) **Field of Classification Search** ..... D23/377,  
D23/379, 385, 411, 413; 416/5  
See application file for complete search history.

FIG. 1 is a front perspective view of a ceiling fan showing my new design;

FIG. 2 is a front elevational view thereof;

FIG. 3 is a rear elevational view thereof.

FIG. 4 is a left side elevational view thereof;

FIG. 5 is a right side elevational view thereof;

FIG. 6 is a top plan view thereof; and,

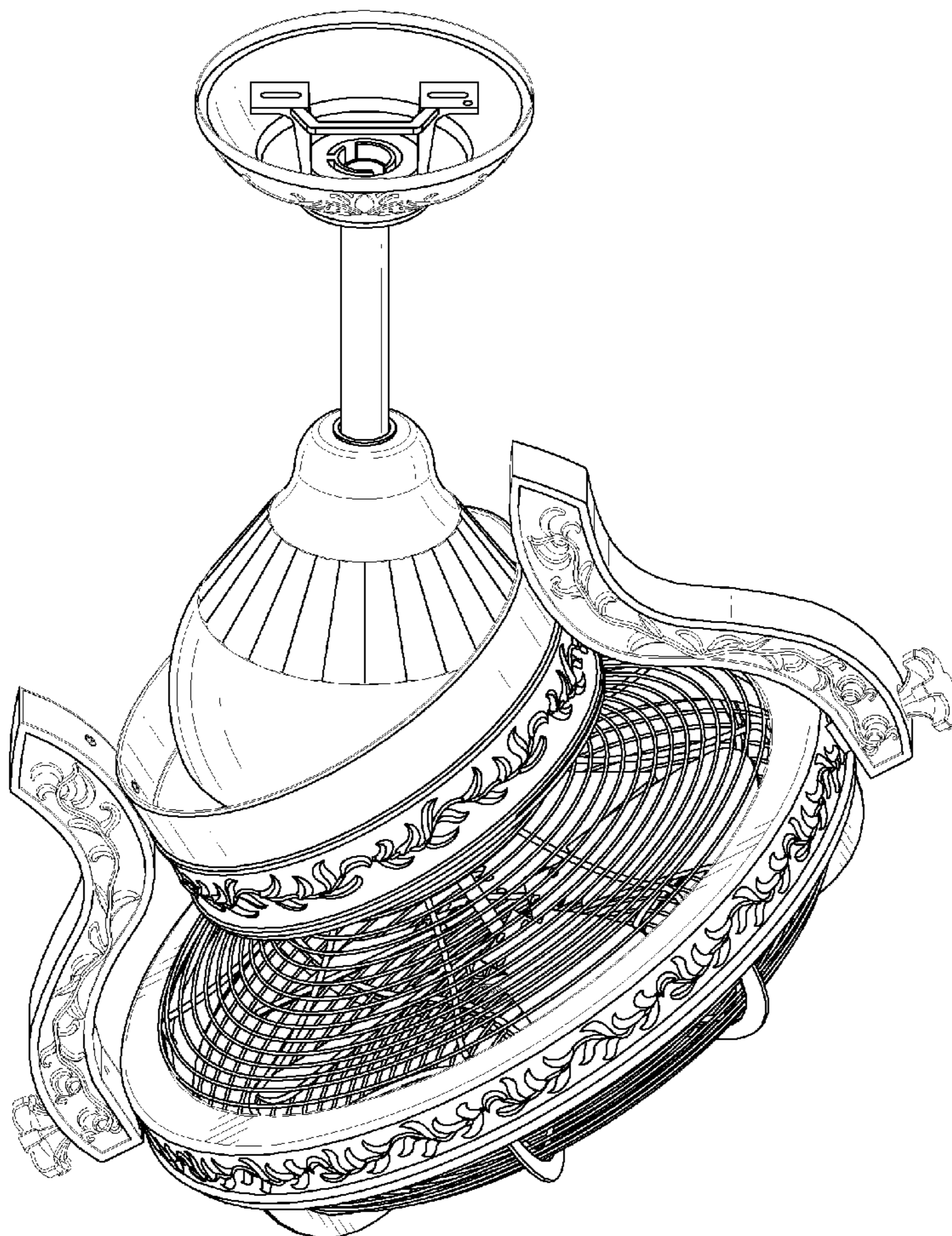
FIG. 7 is a bottom plan view thereof.

(56) **References Cited**

**U.S. PATENT DOCUMENTS**

D427,672 S *	7/2000	Lee	.....	D23/377
D531,299 S *	10/2006	Hidalgo	.....	D23/377
D531,721 S *	11/2006	Hidalgo	.....	D23/411

**1 Claim, 7 Drawing Sheets**



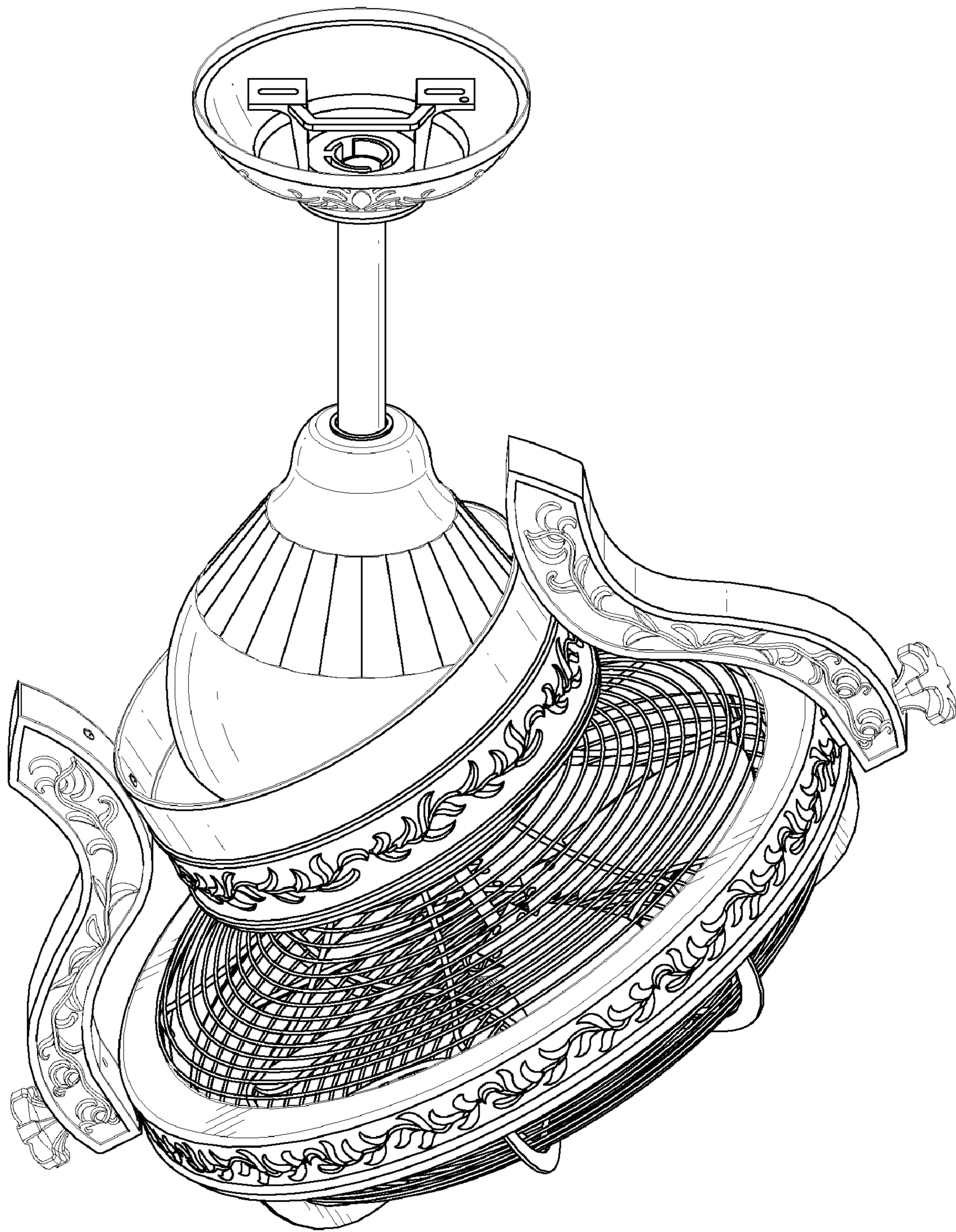


FIG. 1

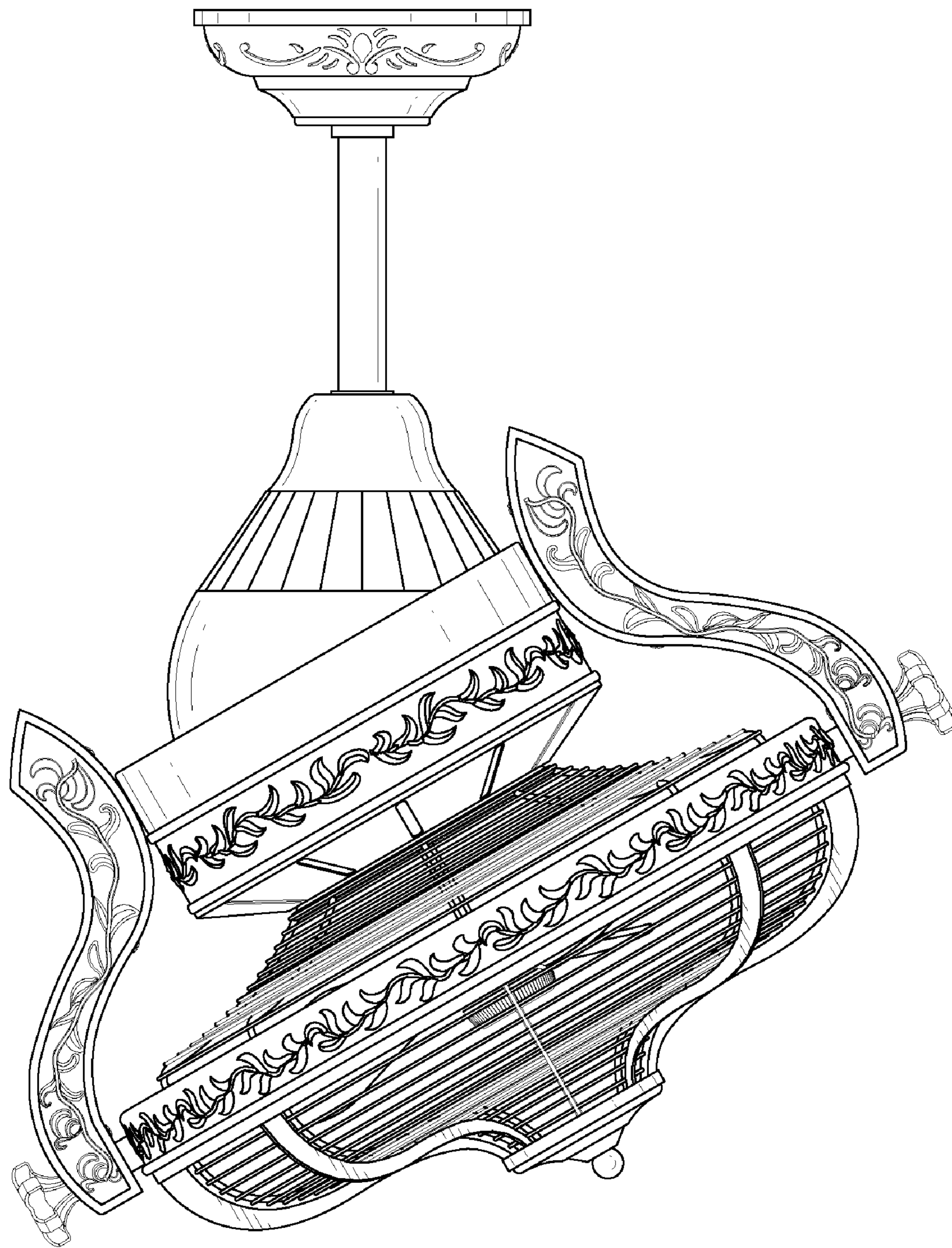


FIG. 2

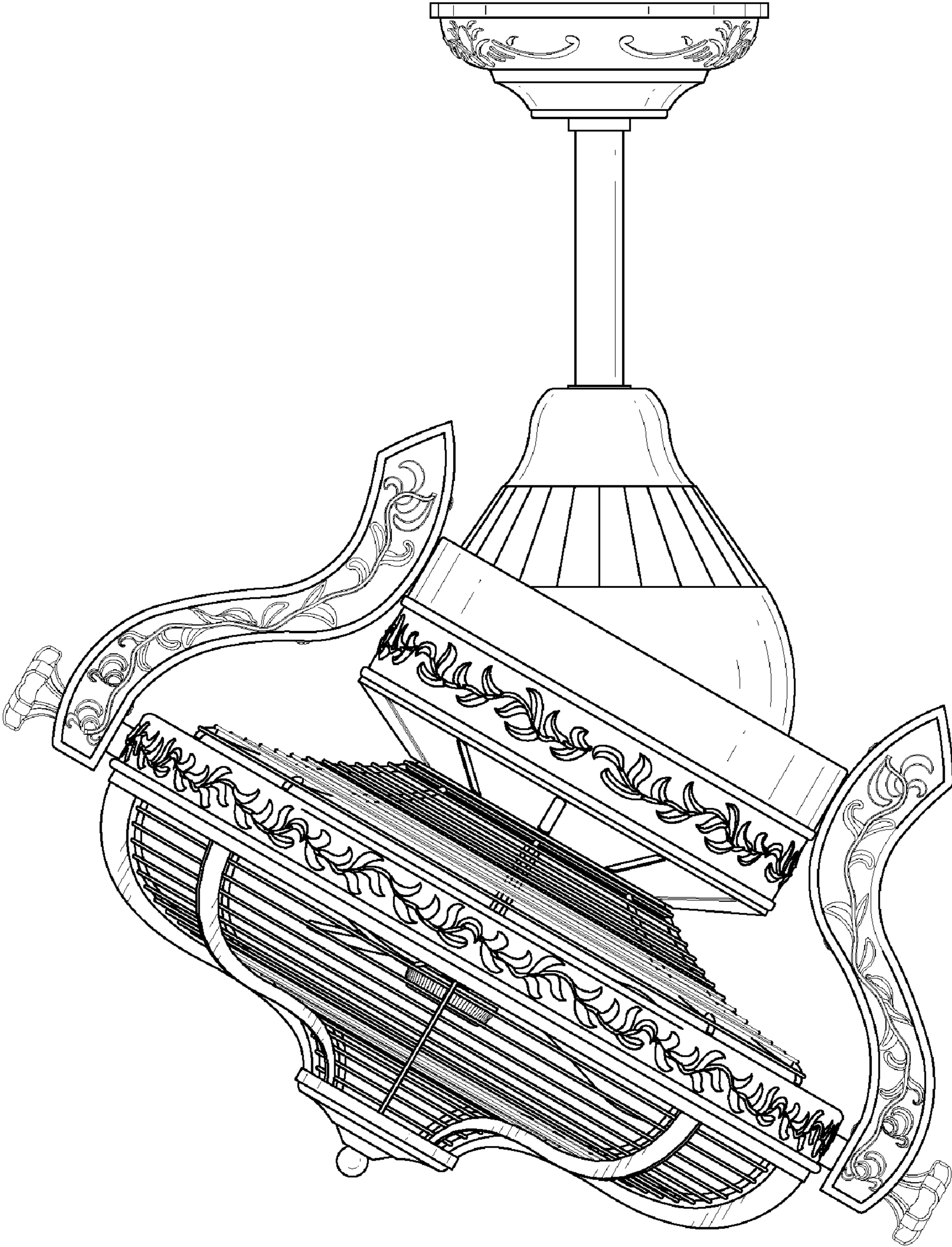


FIG. 3

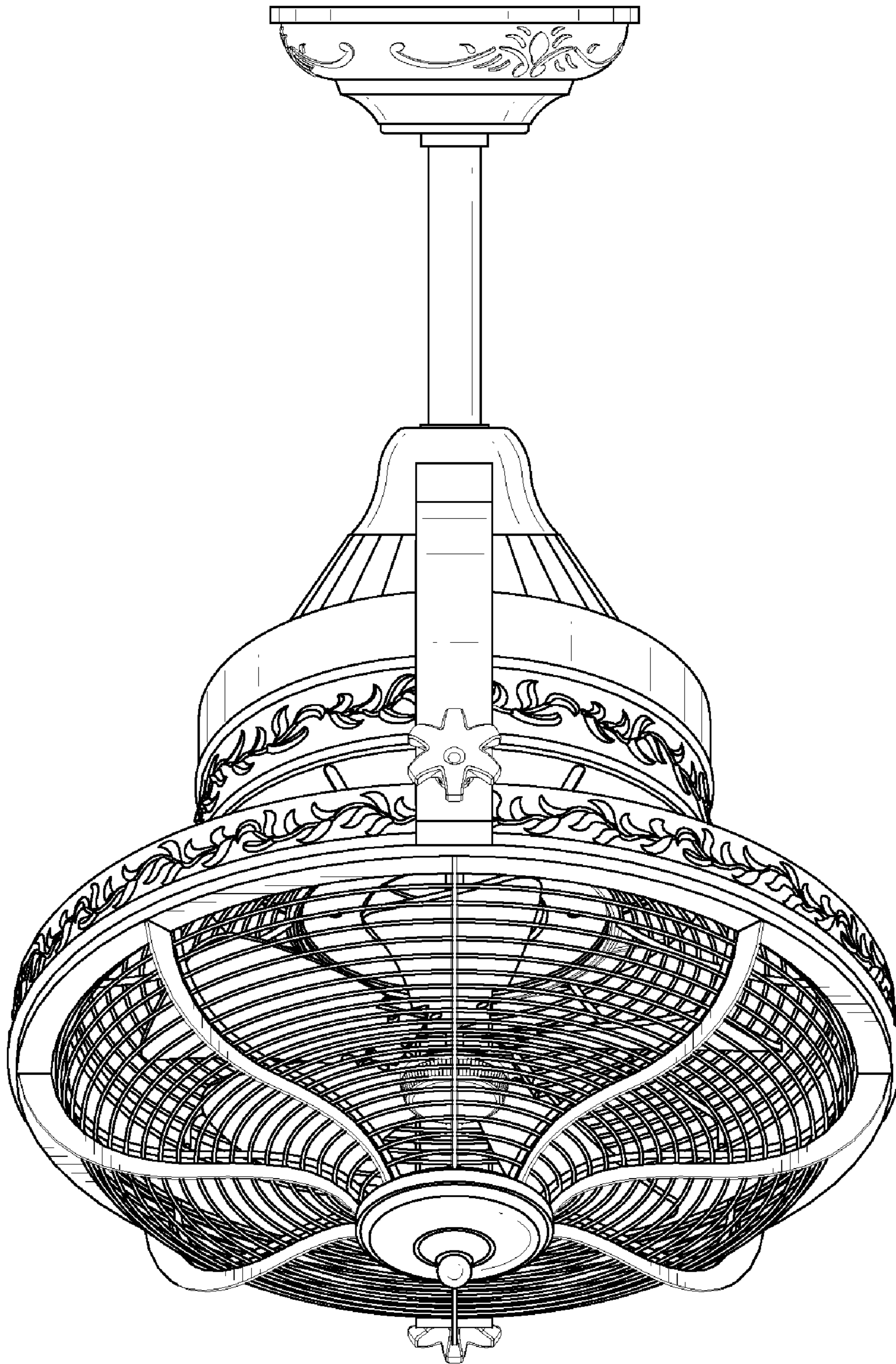


FIG. 4

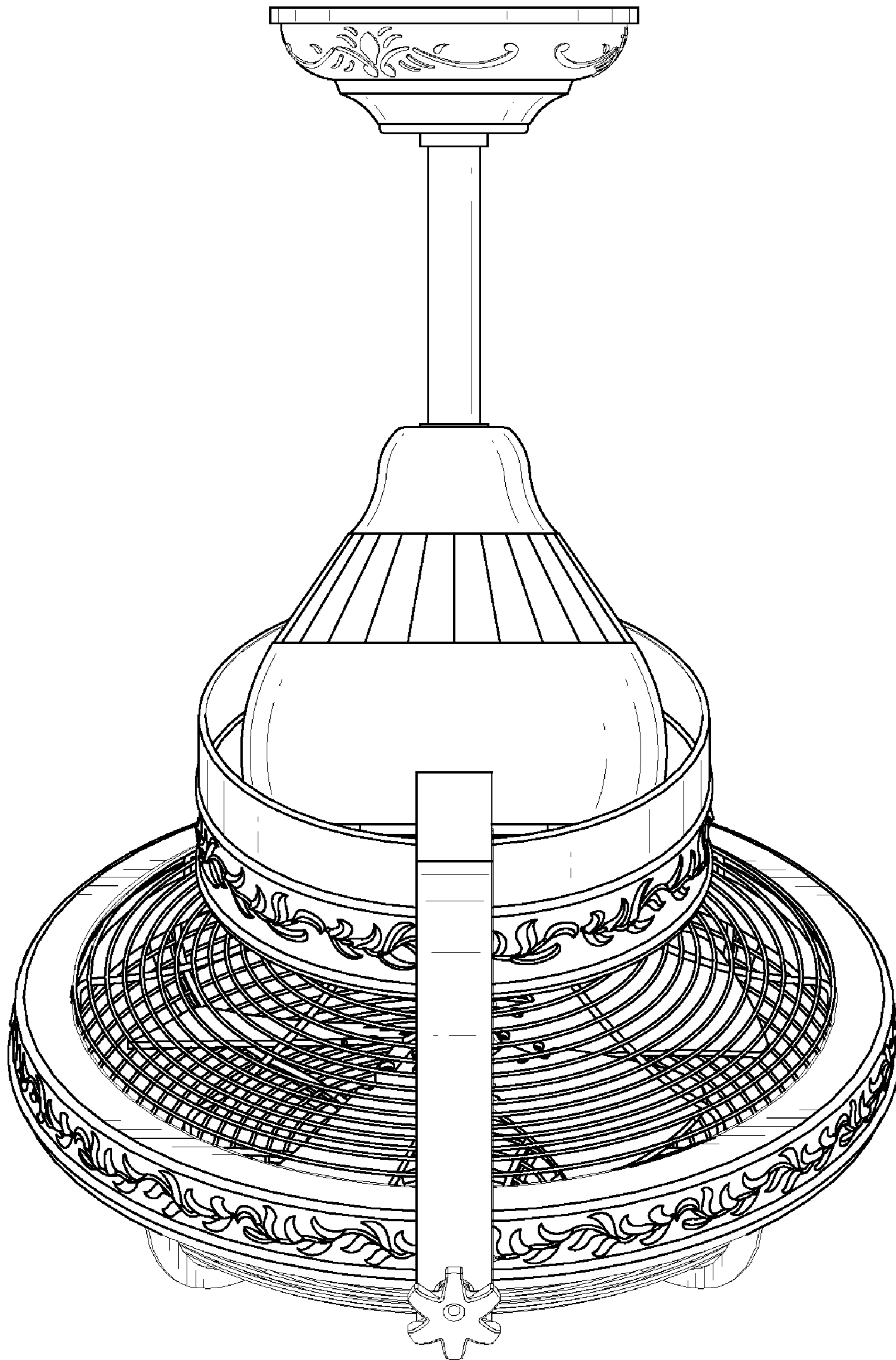


FIG. 5

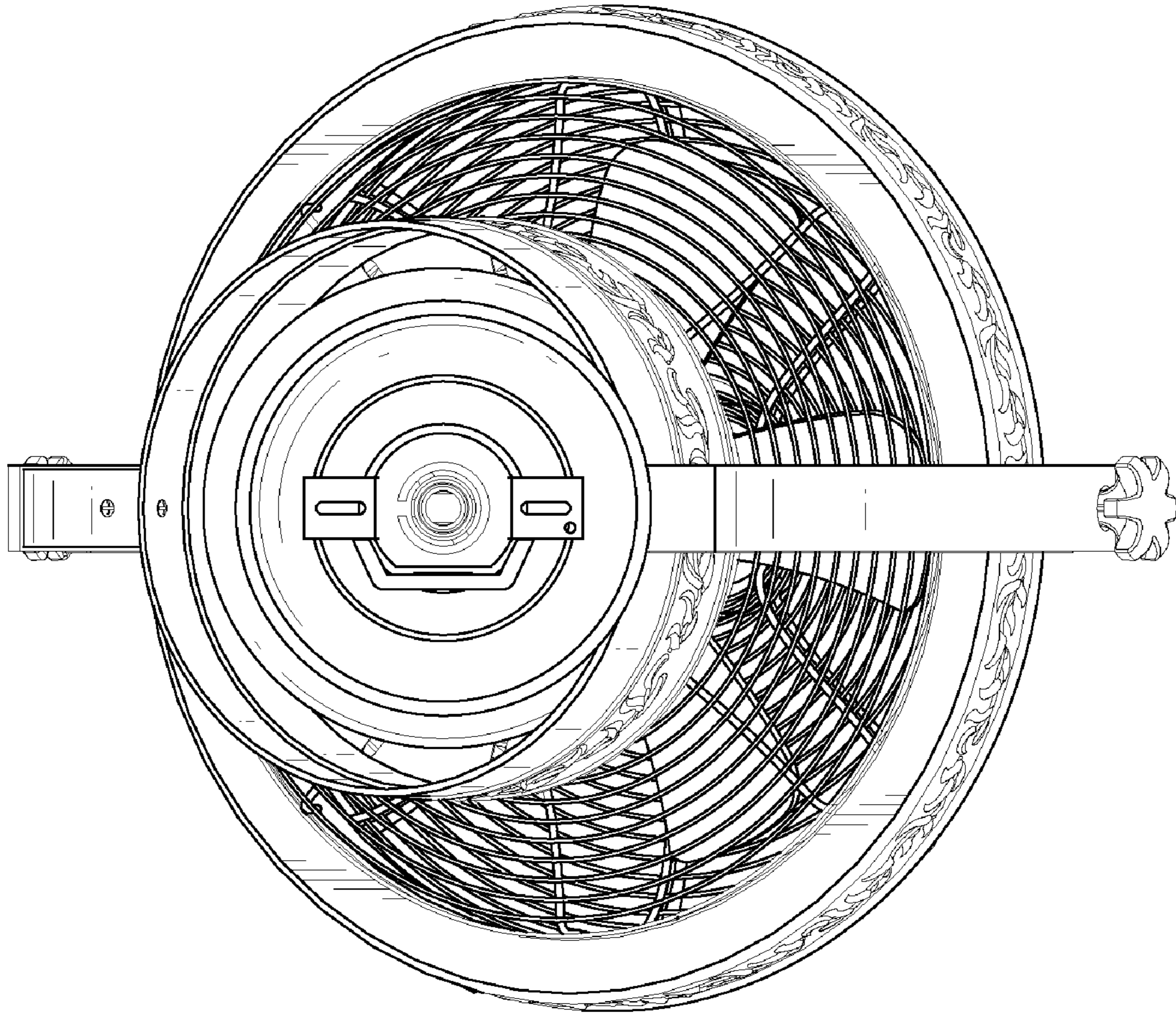


FIG. 6

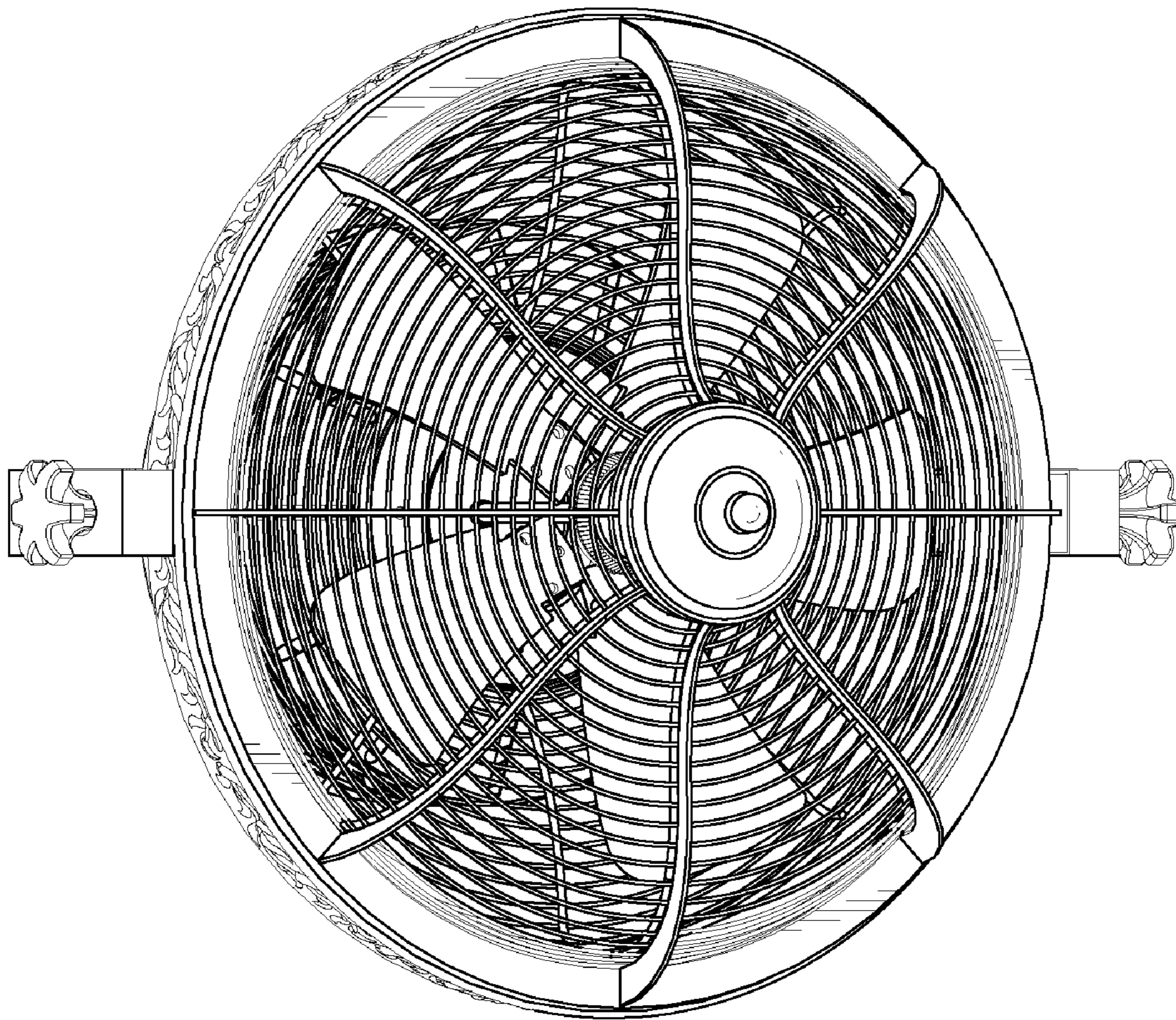


FIG. 7