



US00D582027S

(12) **United States Design Patent**
Benito

(10) **Patent No.:** **US D582,027 S**
(45) **Date of Patent:** **** Dec. 2, 2008**

(54) **AIR DEODORISING APPARATUS**
(75) Inventor: **Juan Antonio Benito**, Barcelona (ES)
(73) Assignee: **Sara Lee Household and Body Care**
Nederland B.V. (NL)

WO WO 2006/087515 A1 8/2006
WO WO 2006/087516 A1 8/2006
WO WO 2006/087564 A1 8/2006
WO WO 2006/095131 A1 9/2006
WO WO 2007/056147 A1 5/2007

(**) Term: **14 Years**
(21) Appl. No.: **29/294,927**
(22) Filed: **Feb. 1, 2008**

Primary Examiner—Sandra Snapp
(74) *Attorney, Agent, or Firm*—Foley & Lardner LLP

(30) **Foreign Application Priority Data**
Aug. 16, 2007 (EM) 000775515

(57) **CLAIM**

I claim the ornamental design for an air deodorising apparatus, as shown.

(51) **LOC (8) Cl.** **28-99**
(52) **U.S. Cl.** **D23/366**
(58) **Field of Classification Search** D23/355-396;
261/DIG. 17, DIG. 43, DIG. 65, DIG. 88,
261/DIG. 89; 239/34, 35, 53, 56, 57, 60,
239/136, 326; 392/386, 394, 395; D28/5,
D28/6

DESCRIPTION

See application file for complete search history.

FIG. 1 is a top, front, side perspective view of an air deodorising apparatus comprising the present invention.

(56) **References Cited**
U.S. PATENT DOCUMENTS
3,214,062 A 10/1965 Mahon

FIG. 2 is a top, rear, side perspective view of the air deodorising apparatus shown in FIG. 1.

FIG. 3 is a front elevational view of the air deodorising apparatus shown in FIG. 1 and FIG. 2.

FIG. 4 is a rear elevational view of the air deodorising apparatus shown in FIG. 1, FIG. 2, and FIG. 3.

FIG. 5 is a right side elevational view of the air deodorising apparatus shown in FIG. 1, FIG. 2, FIG. 3, and FIG. 4.

FIG. 6 is a left side elevational view of the air deodorising apparatus shown in FIG. 1, FIG. 2, FIG. 3, FIG. 4, and FIG. 5.

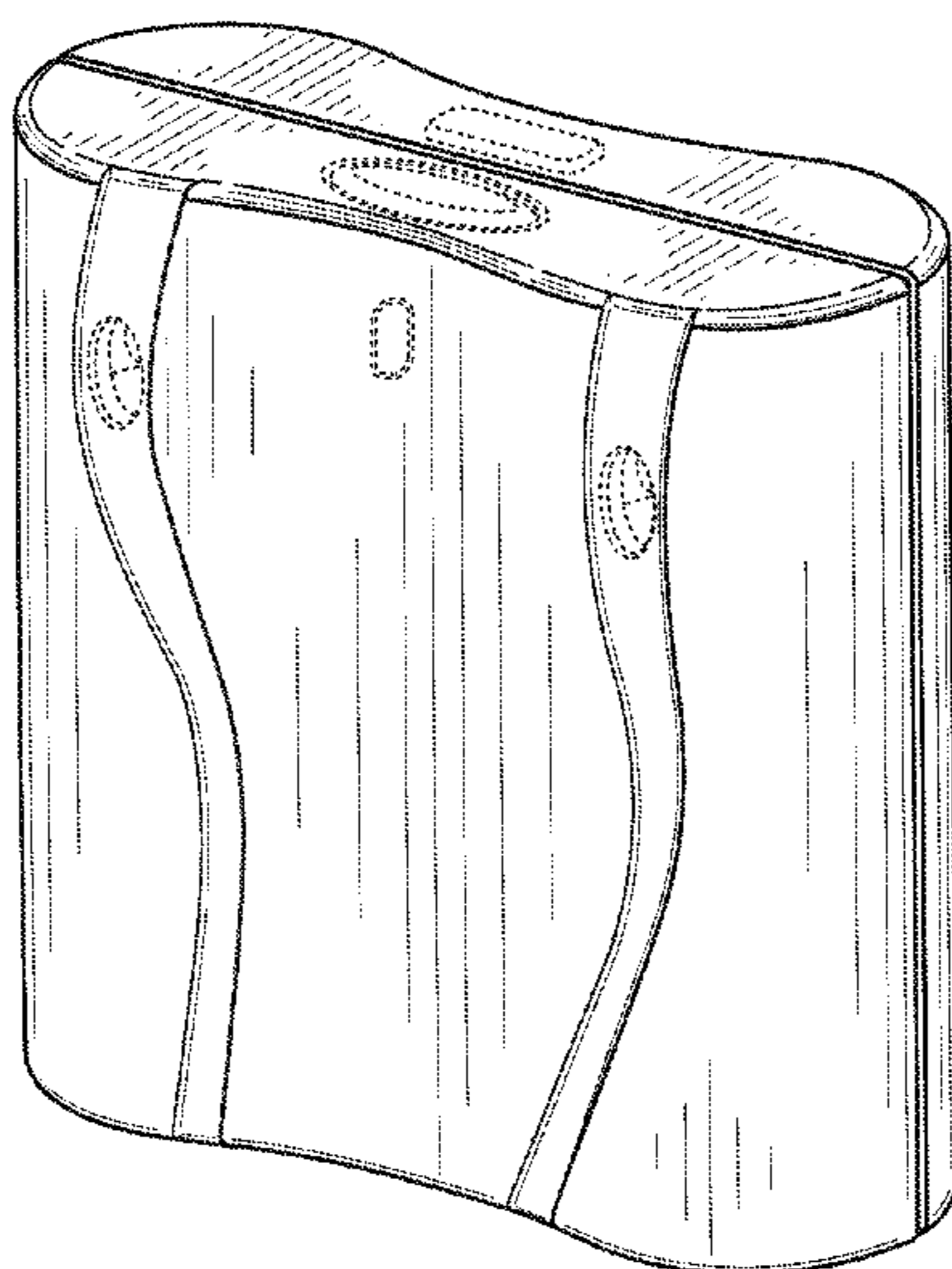
FIG. 7 is a top plan view of the air deodorising apparatus shown in FIG. 1, FIG. 2, FIG. 3, FIG. 4, FIG. 5, and FIG. 6; and,

FIG. 8 is a bottom plan view of the air deodorising apparatus shown in FIG. 1, FIG. 2, FIG. 3, FIG. 4, FIG. 5, FIG. 6, and FIG. 7.

The broken lines shown in the drawings are for illustrative purposes only and form no part of the claimed design.

(Continued)
FOREIGN PATENT DOCUMENTS
EP 0 641 727 B1 3/1995
EP 1 055 854 B1 11/2000
EP 1 076 571 B1 2/2001
EP 1 547 505 A1 6/2005
EP 1 808 537 A1 7/2007
GB 2 375 710 A 11/2002
WO WO 2006/010893 A1 2/2006
WO WO 2006/064187 A1 6/2006
WO WO 2006/087514 A1 8/2006

1 Claim, 8 Drawing Sheets



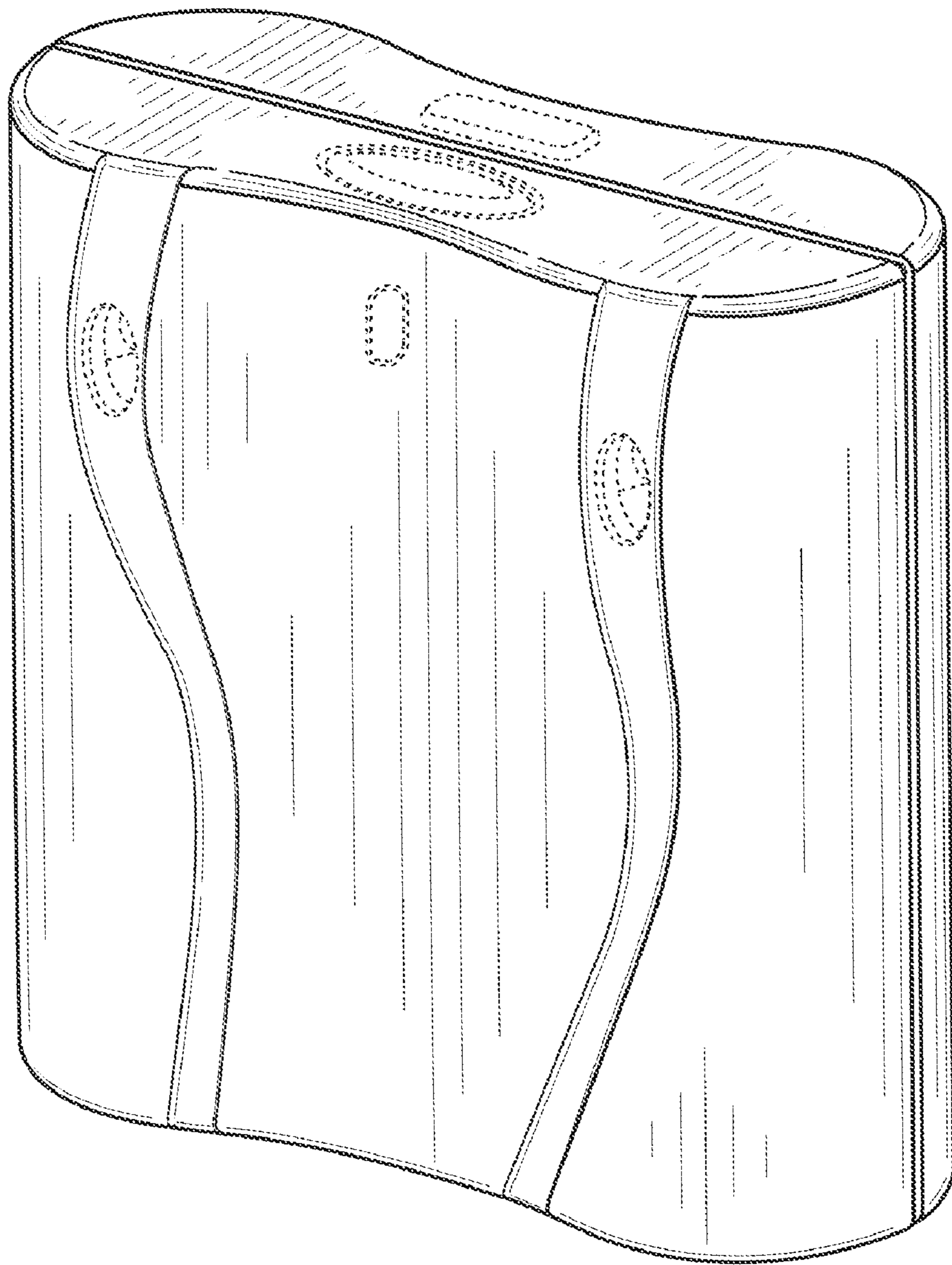


FIG. 1

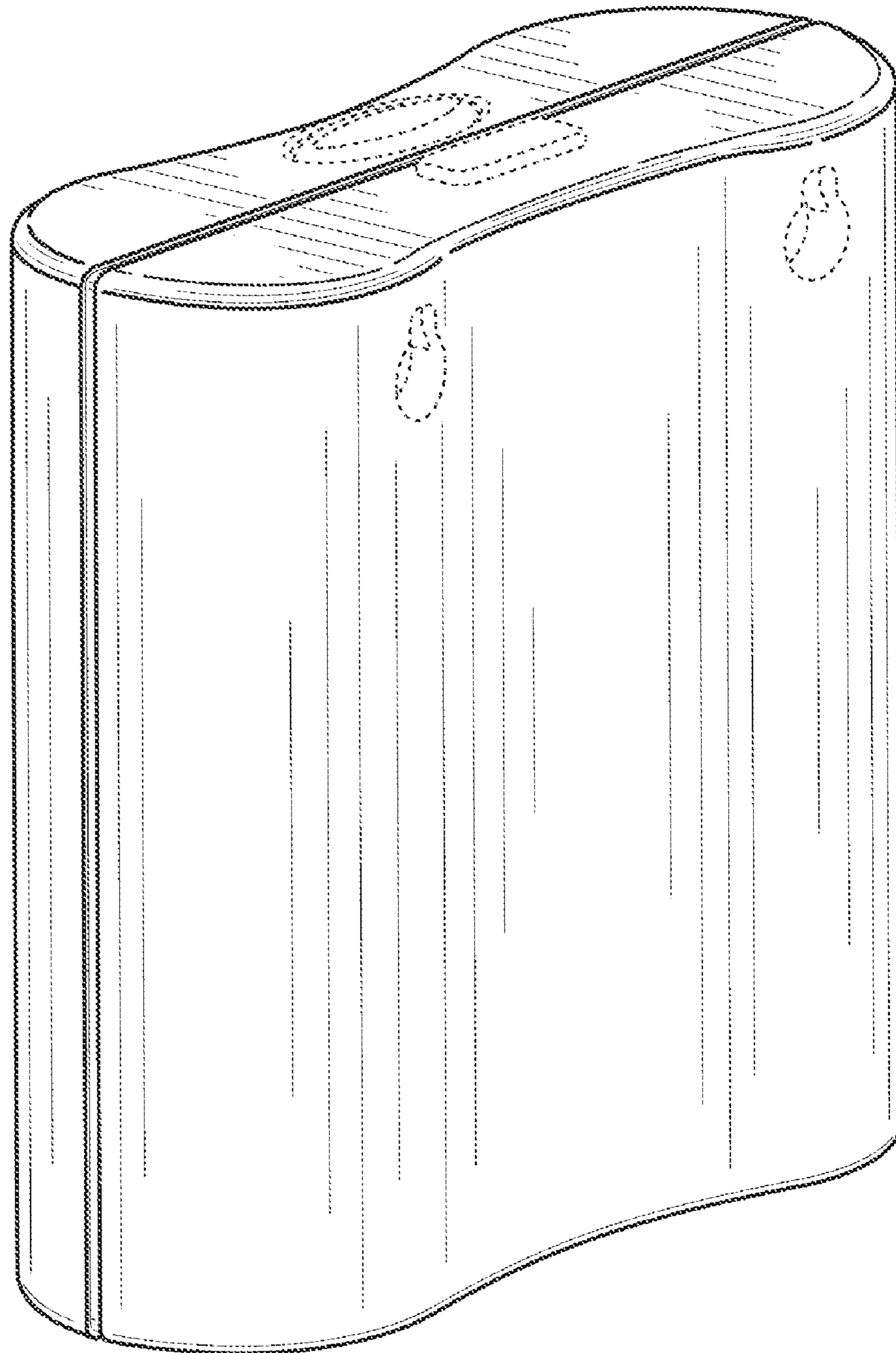


FIG. 2

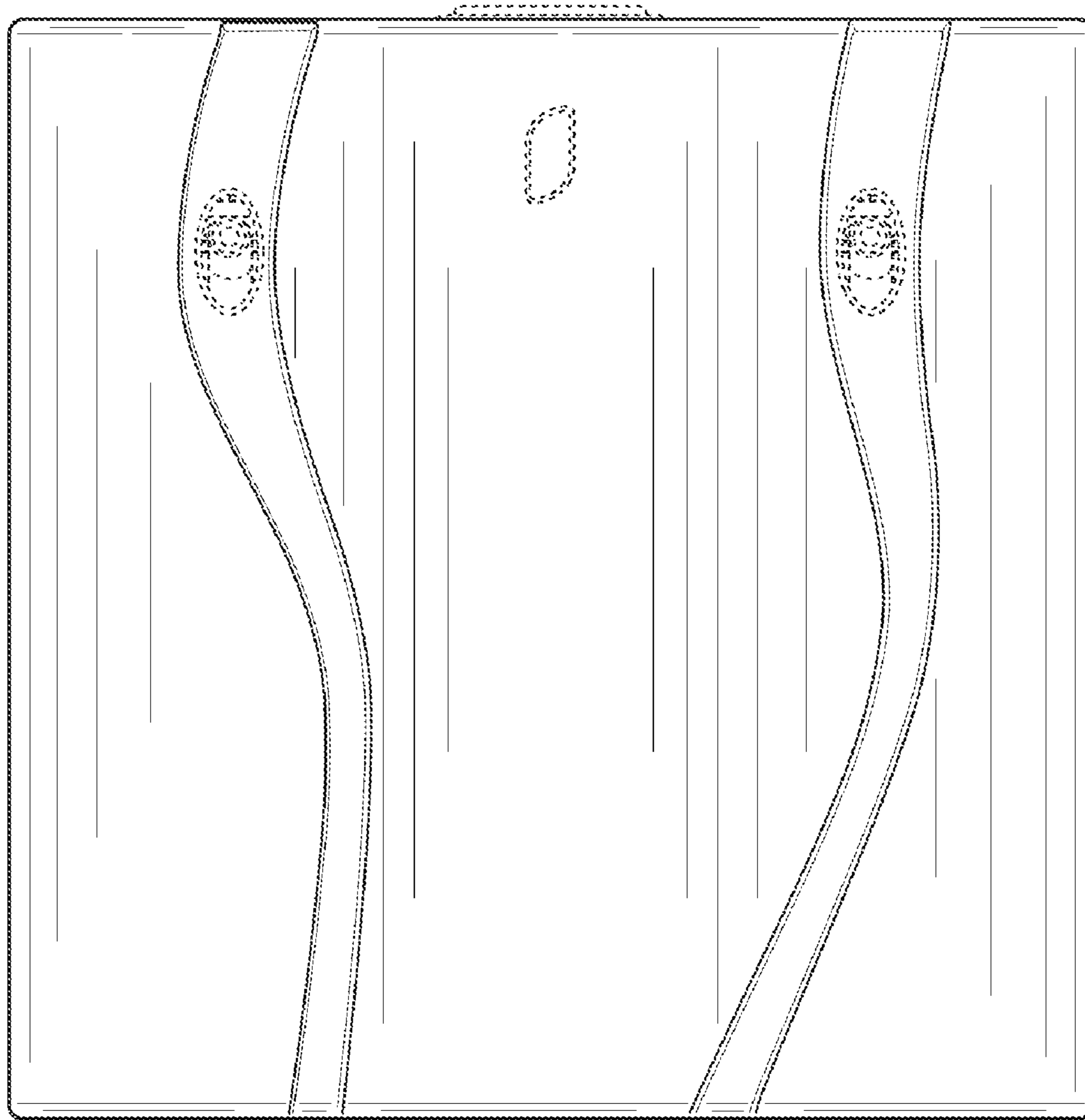


FIG. 3

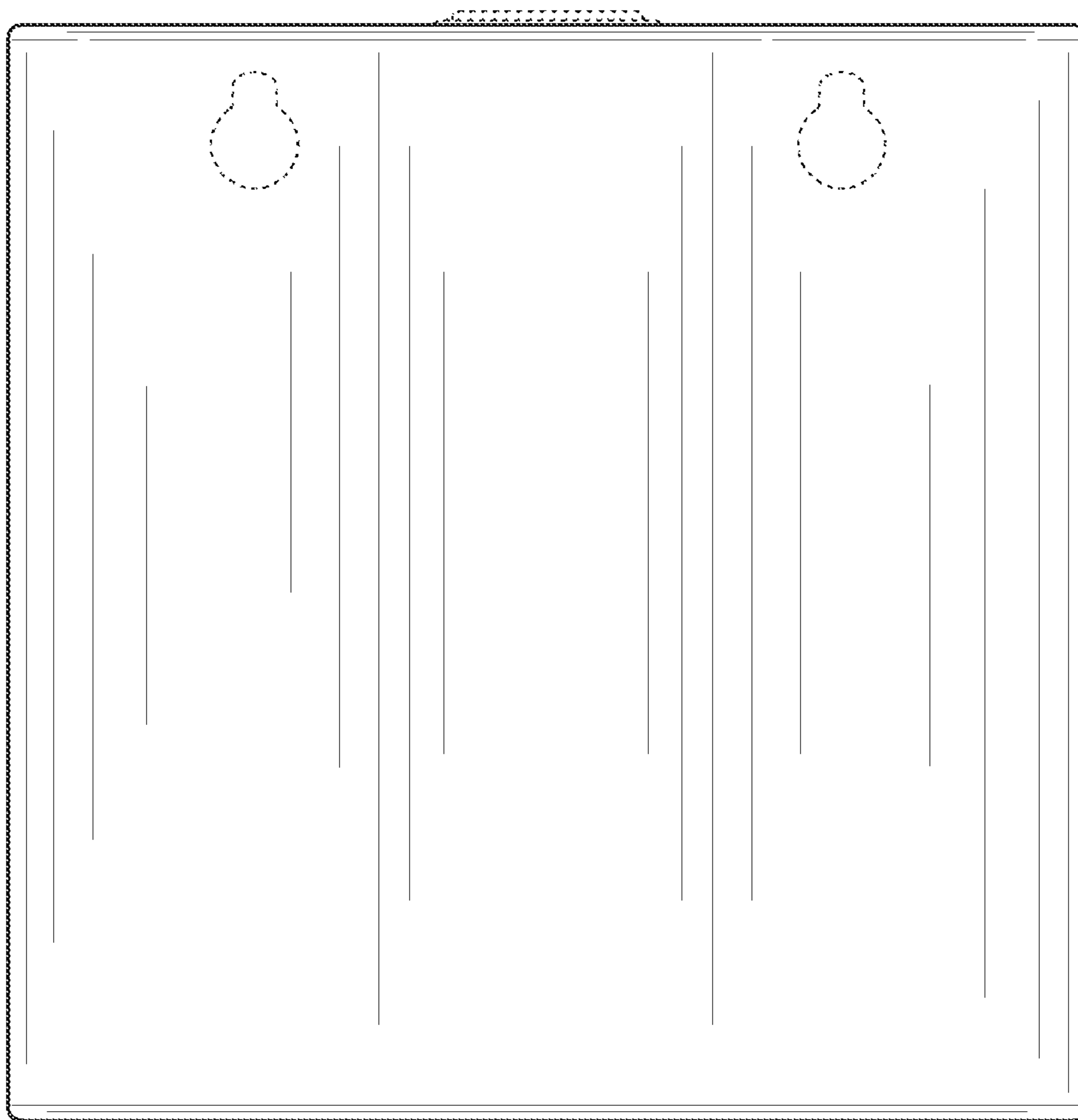


FIG. 4

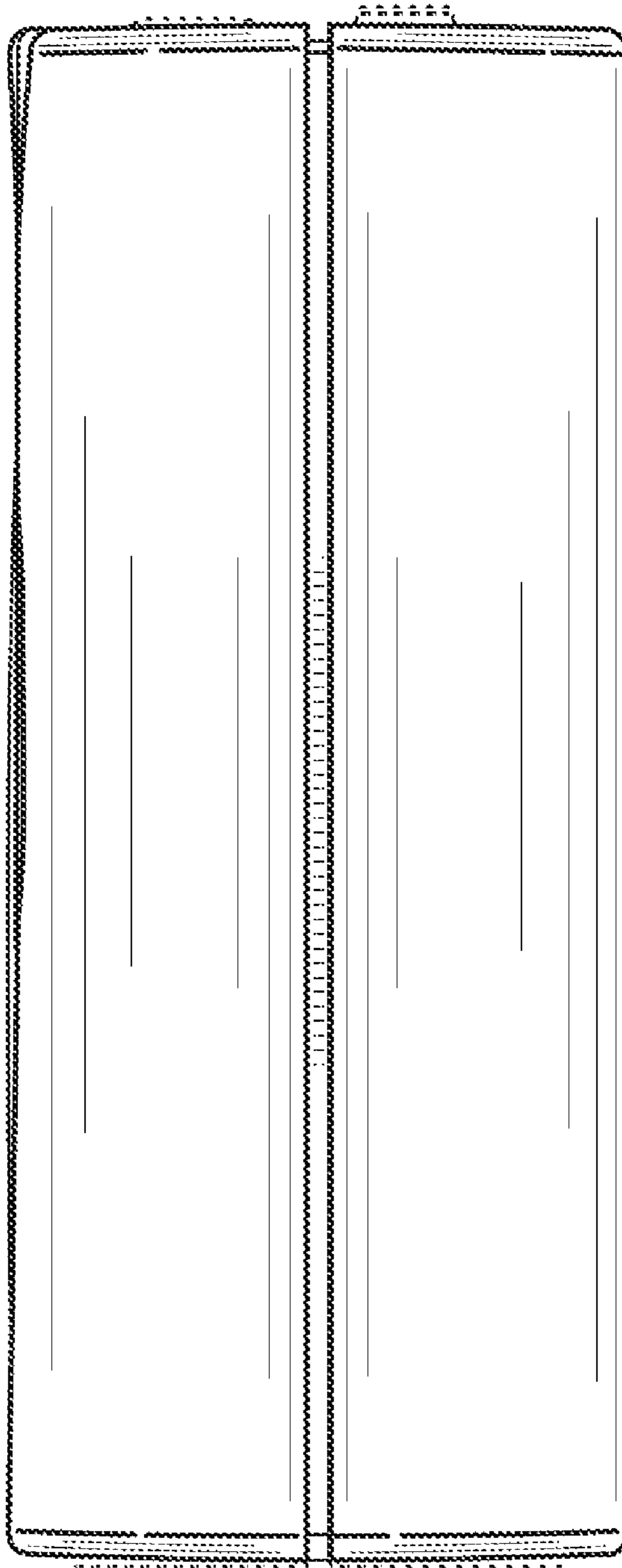


FIG. 5

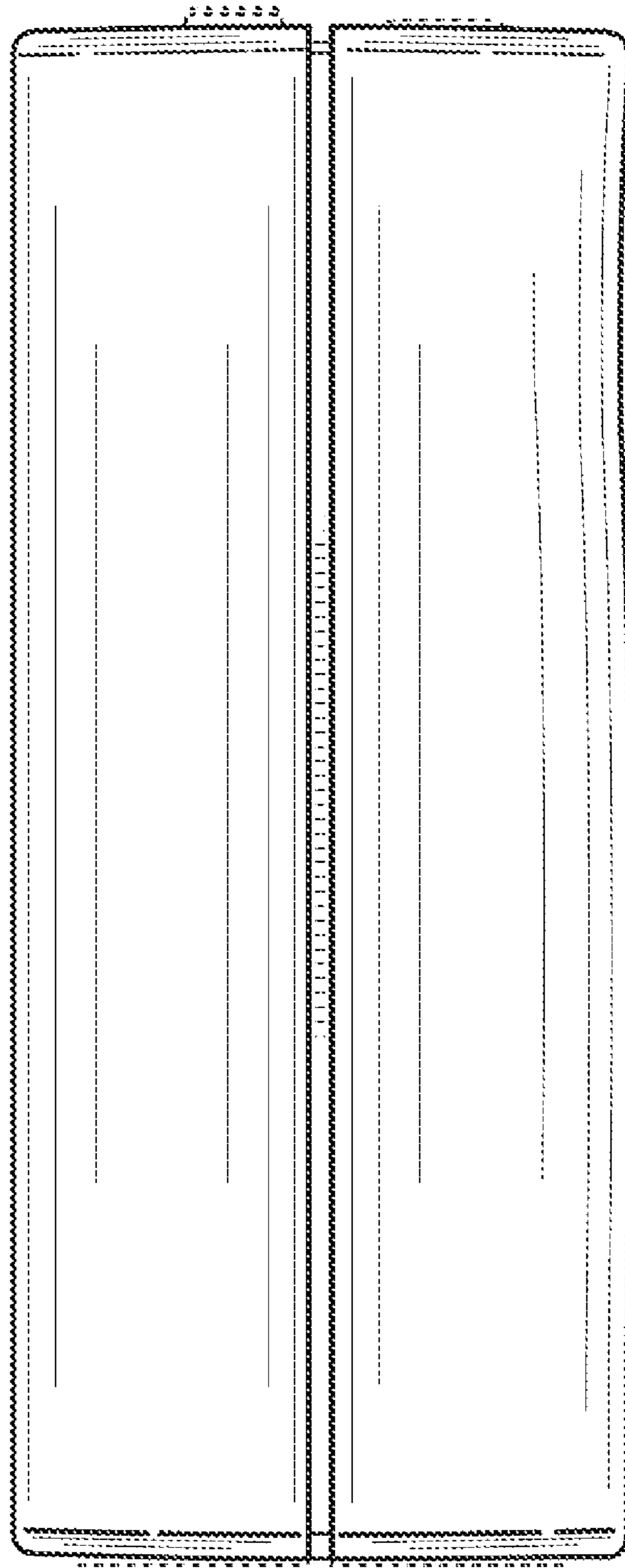


FIG. 6

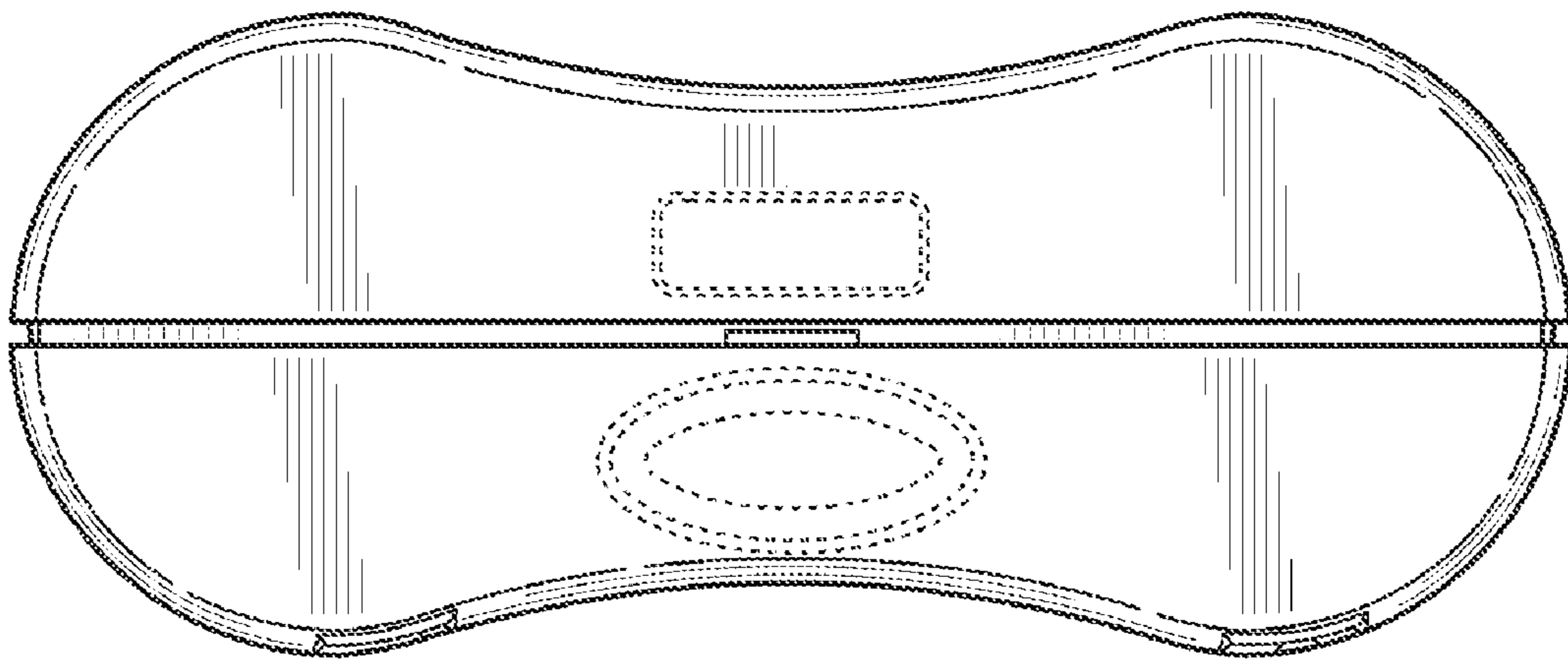


FIG. 7

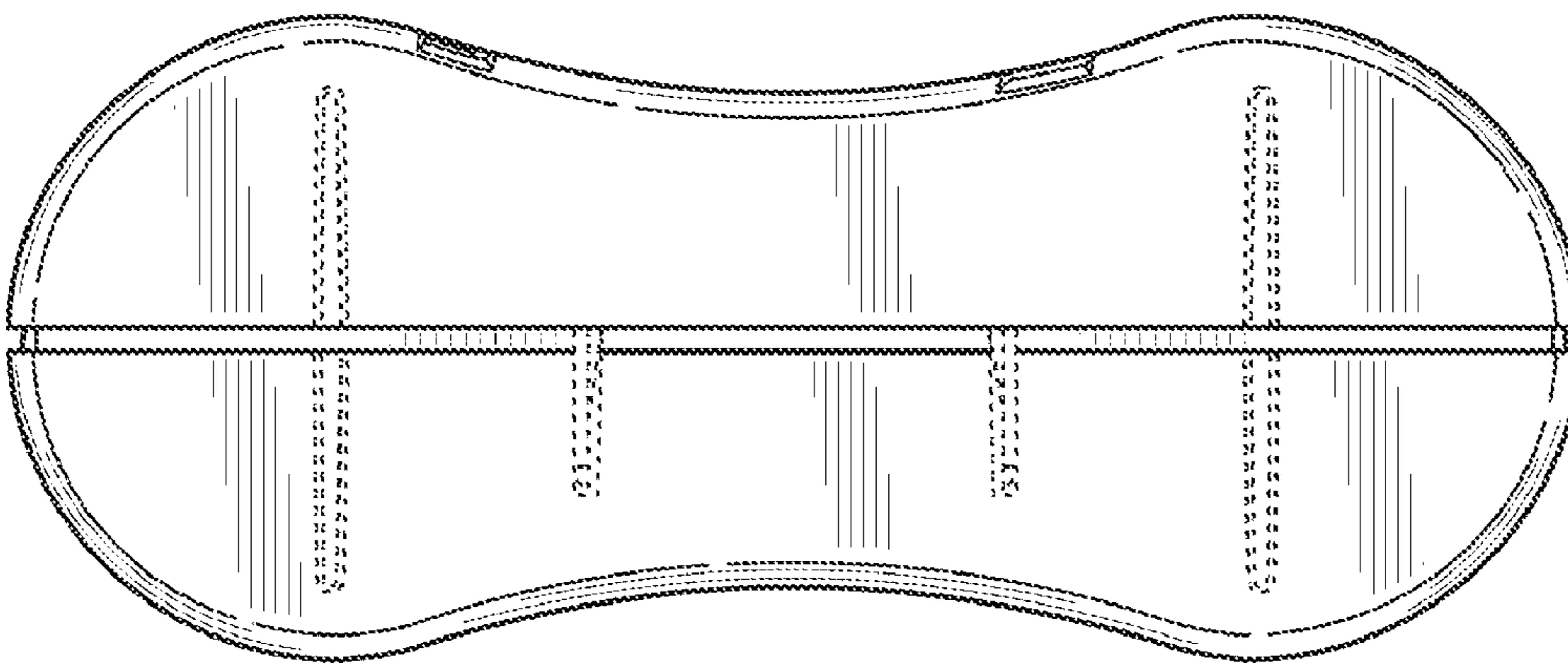


FIG. 8