



US00D582025S

(12) **United States Design Patent**
Zobeles et al.

(10) **Patent No.:** **US D582,025 S**
(45) **Date of Patent:** **** Dec. 2, 2008**

(54) **DEVICE FOR DIFFUSING SUBSTANCES**

(75) Inventors: **Franco Zobeles**, Trento (IT); **Walter Sordo**, Trento (IT); **Stefano Deflorian**, Trento (IT)

(73) Assignee: **McNeil-PPC, Inc.**, Skillman, NJ (US)

(**) Term: **14 Years**

(21) Appl. No.: **29/286,458**

(22) Filed: **May 7, 2007**

Related U.S. Application Data

(63) Continuation of application No. 29/249,603, filed on Oct. 13, 2006.

(51) **LOC (8) Cl.** **28-99**

(52) **U.S. Cl.** **D23/366**

(58) **Field of Classification Search** D23/355-369;
261/DIG. 17, DIG. 42, DIG. 65, DIG. 88,
261/DIG. 89; D28/5, 6; 392/386, 390-394,
392/401, 404, 406; 239/34, 35, 41-44, 53-60,
239/136, 326

See application file for complete search history.

(56) **References Cited**

U.S. PATENT DOCUMENTS

3,522,935 A * 8/1970 Lewis 261/30
D306,902 S * 3/1990 Walz et al. D23/366

D373,416 S * 9/1996 Ford et al. D23/364
D374,713 S * 10/1996 Ford et al. D23/364
D374,924 S * 10/1996 Cramer D23/366
D495,409 S * 8/2004 Ke D23/355

* cited by examiner

Primary Examiner—Sandra Snapp

(74) *Attorney, Agent, or Firm*—Karen Horowitz

(57) **CLAIM**

We claim the ornamental design for a device for diffusing substances, as shown and described.

DESCRIPTION

FIG. 1 is a top, right perspective view of a device for diffusing substances showing our new design;

FIG. 2 is a front view thereof;

FIG. 3 is a back view thereof;

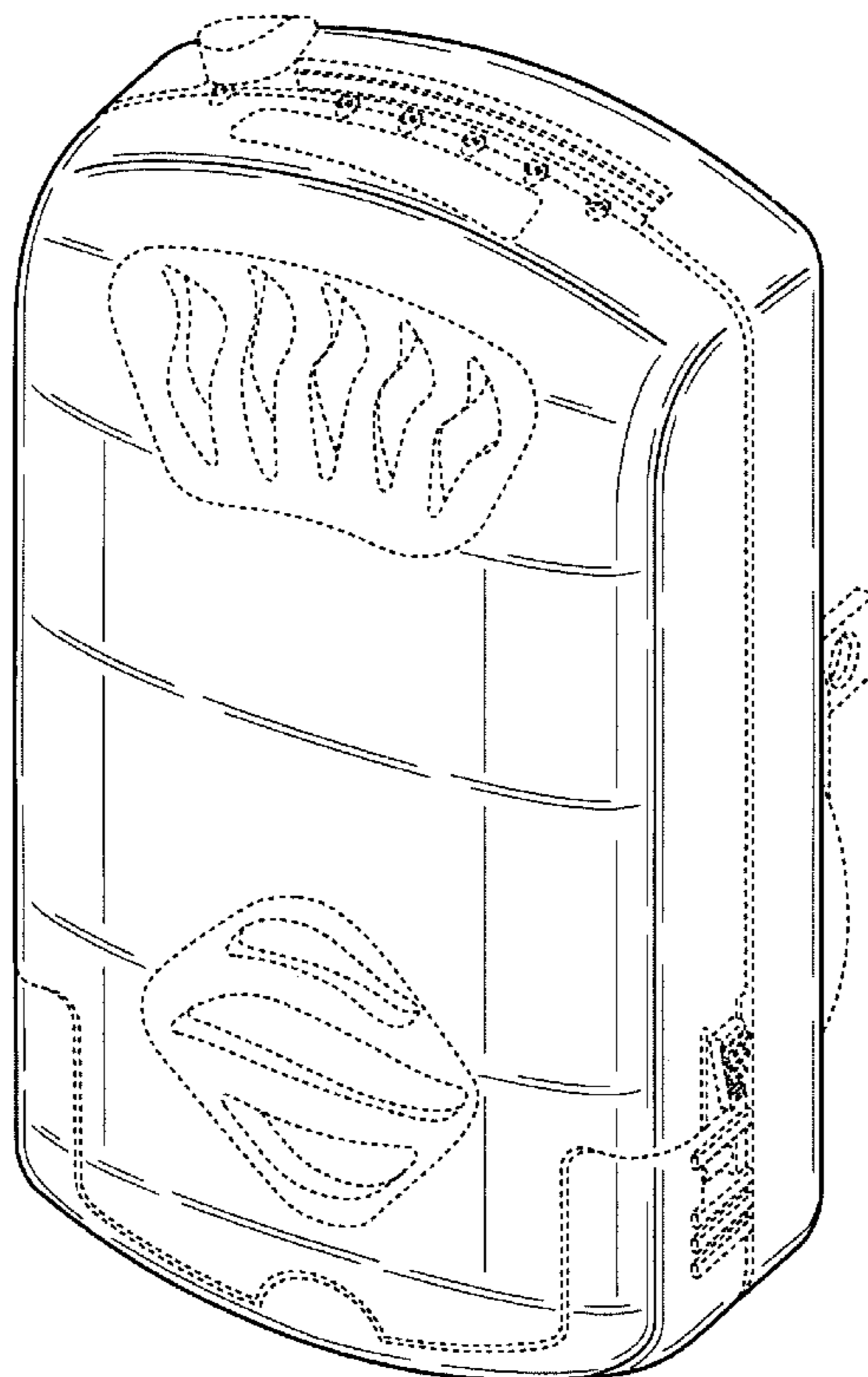
FIG. 4 is a left side view thereof;

FIG. 5 is a top view thereof; and,

FIG. 6 is a bottom view thereof.

The broken lines in the drawings are for illustrative purposes only and form no part of the claimed design. The dash-dot broken lines in the drawings delineate the boundaries of the claimed subject matter, wherein the claimed subject matter includes shading and the unclaimed subject matter does not include shading.

1 Claim, 6 Drawing Sheets



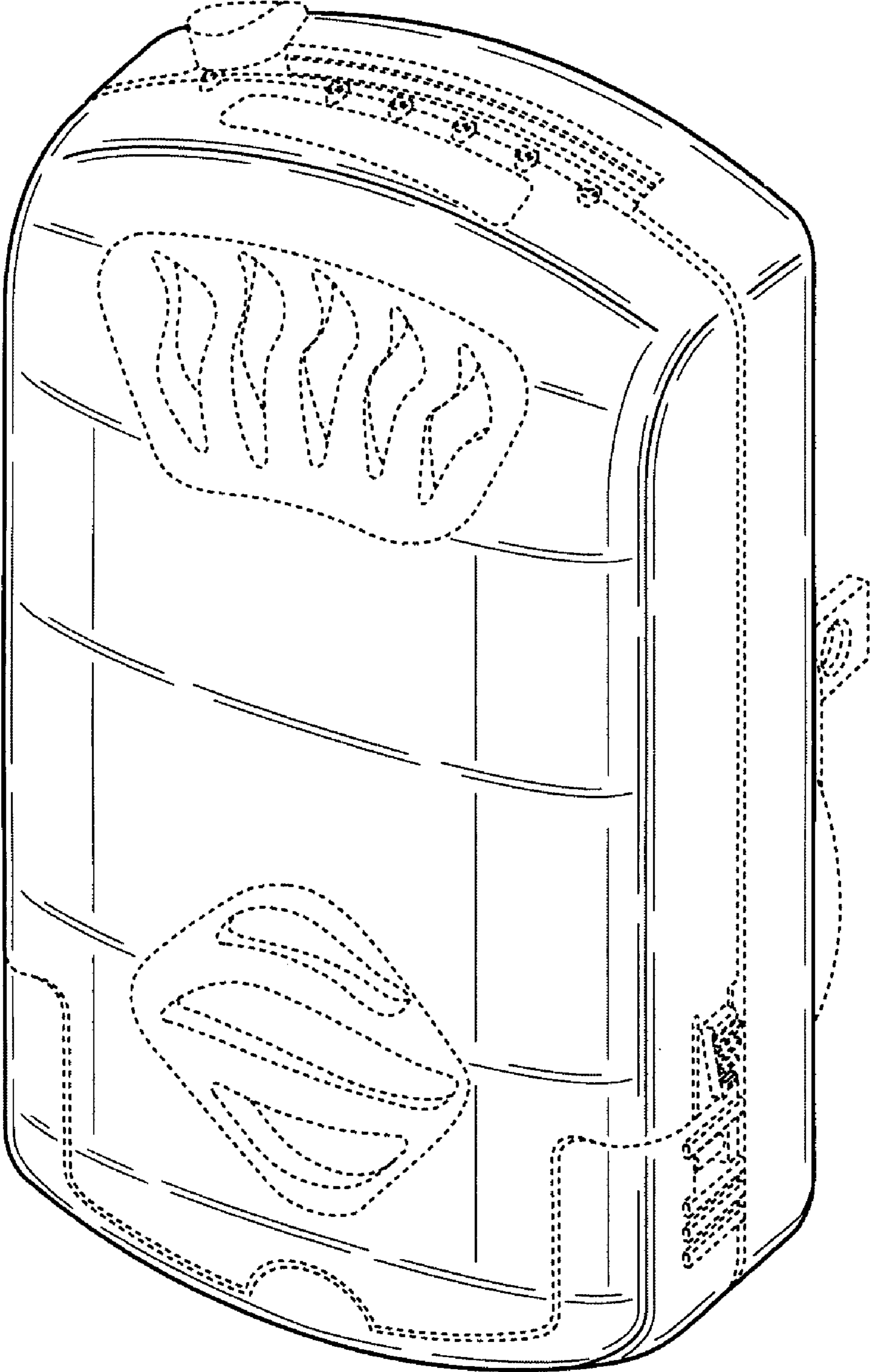


Fig. 1

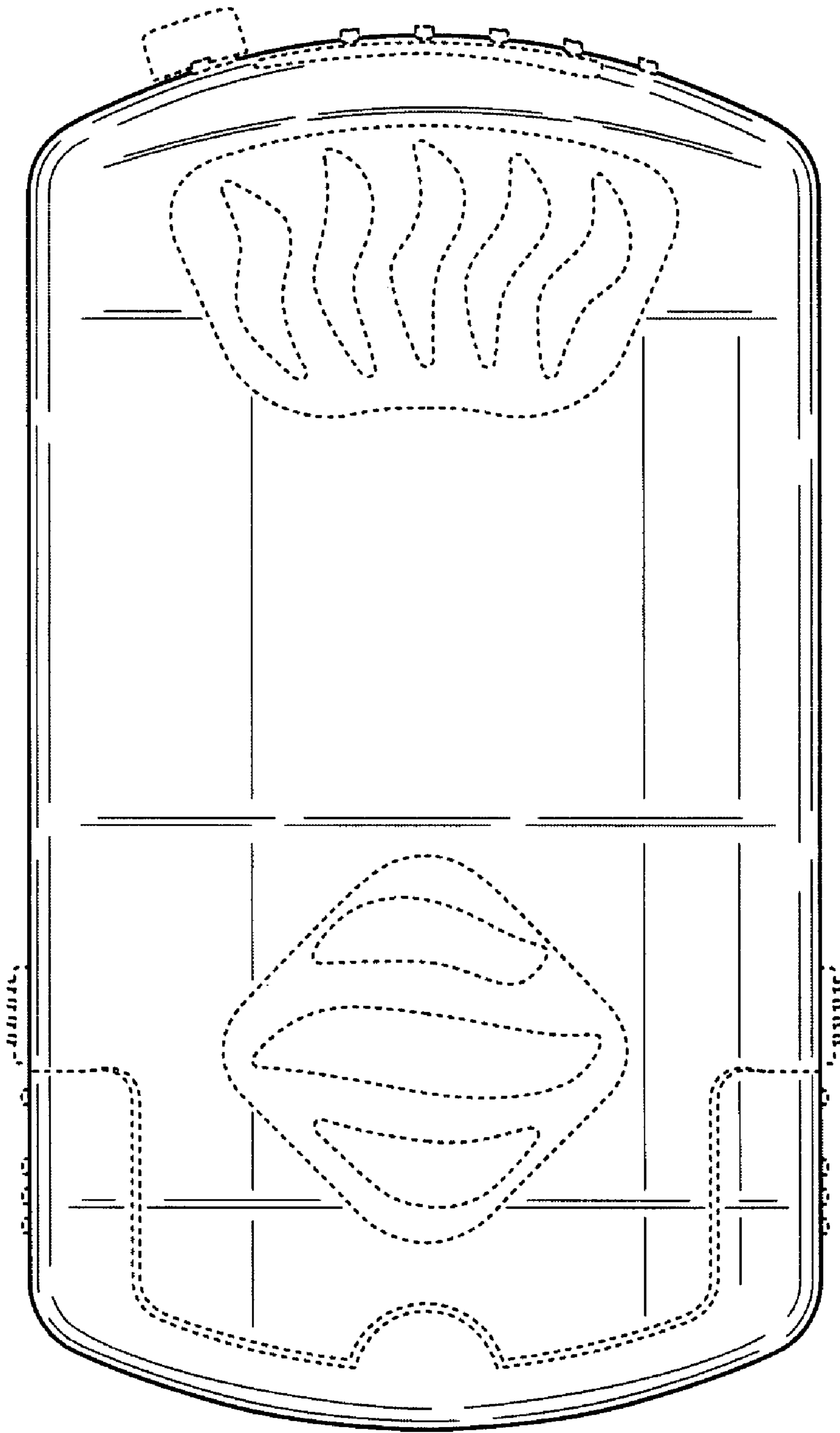


Fig. 2

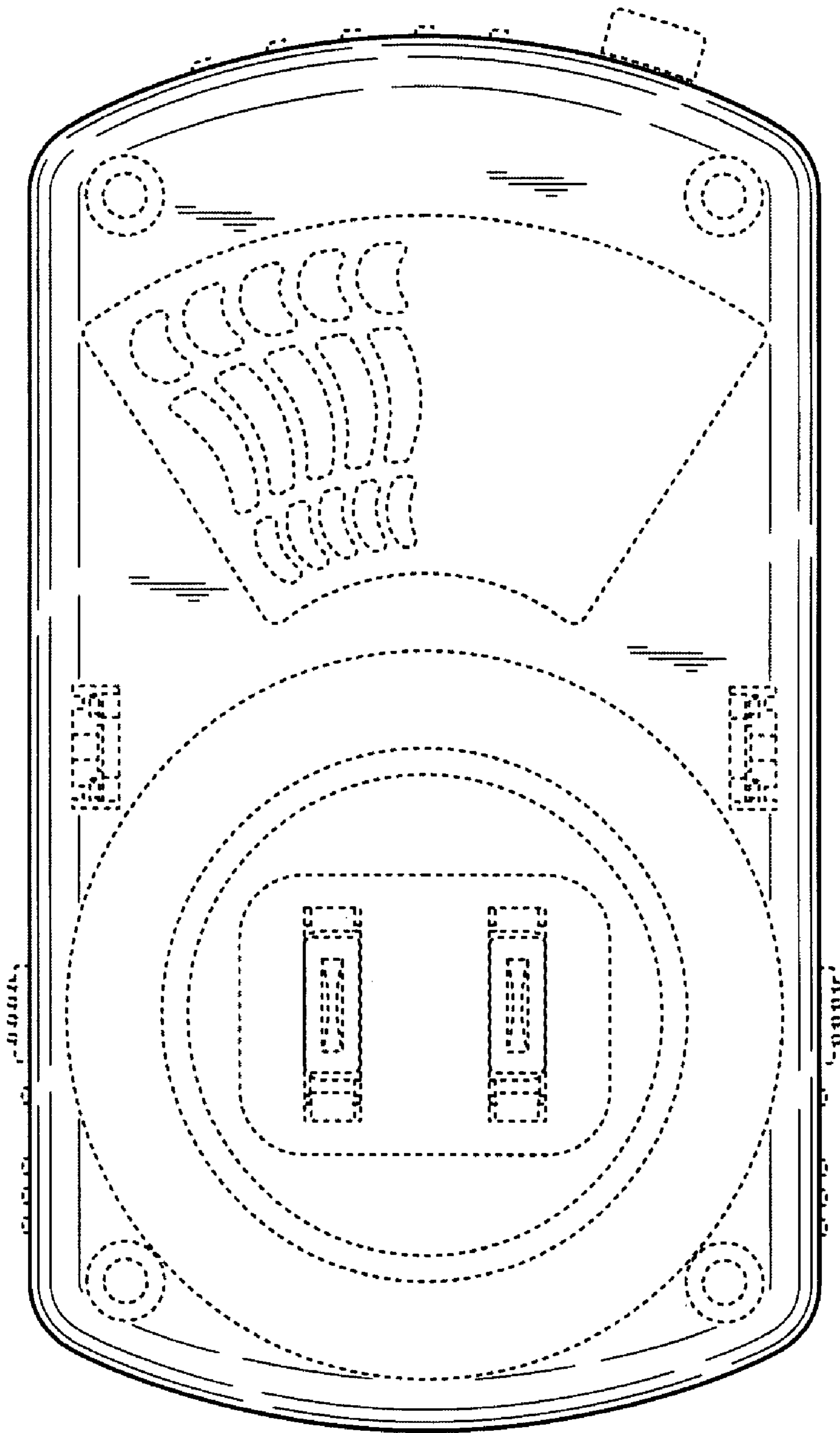


Fig. 3

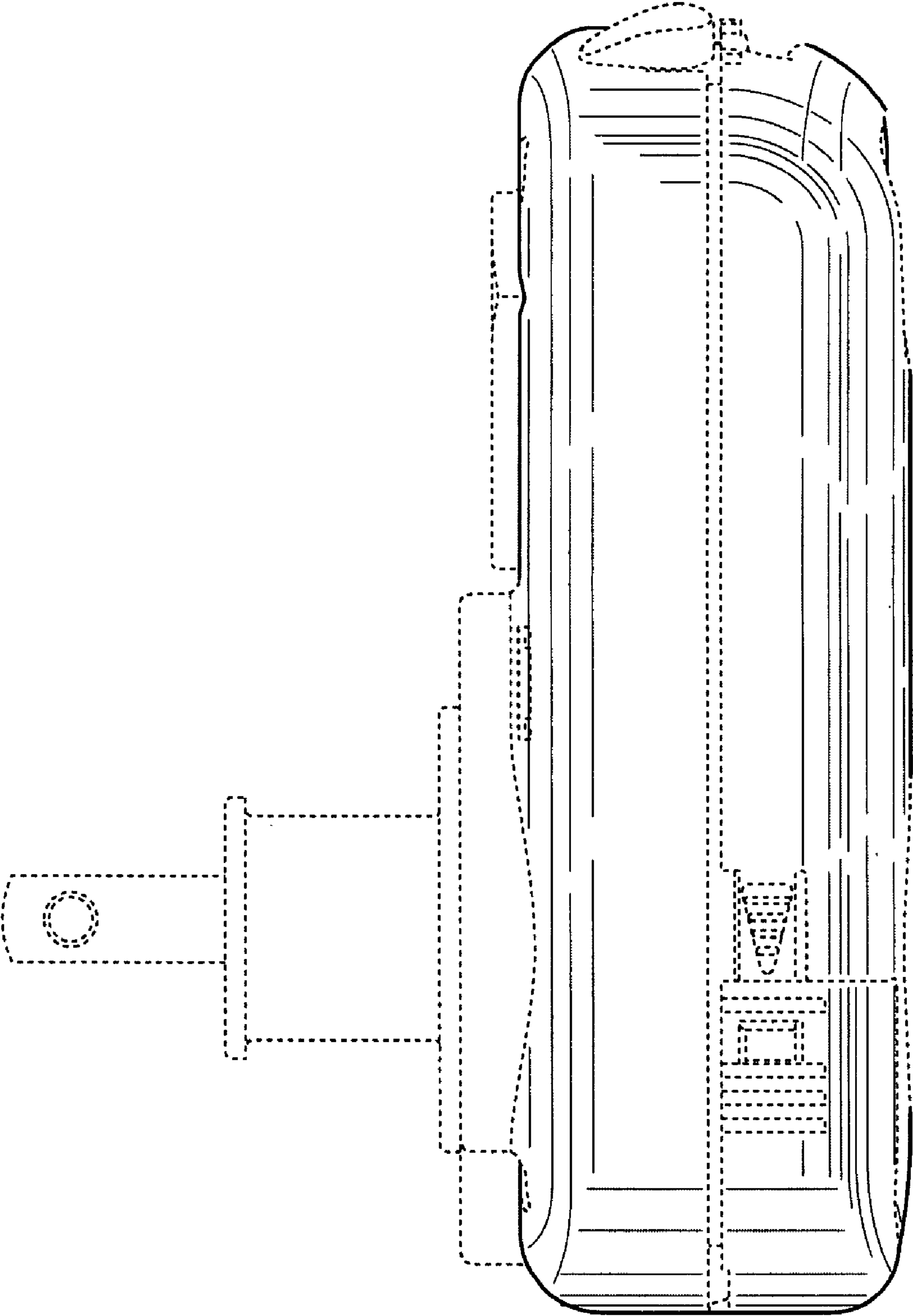


Fig. 4

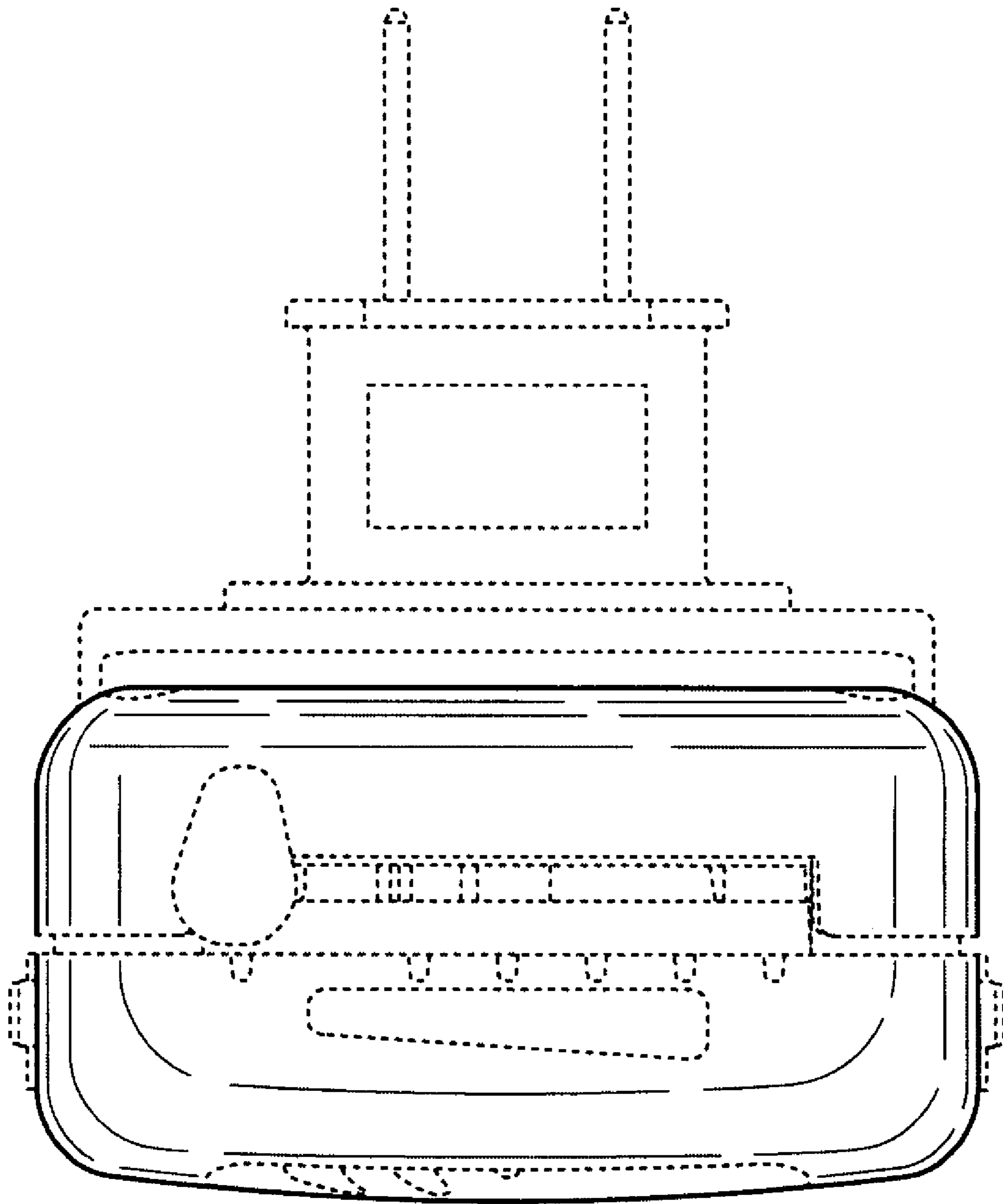


Fig. 5

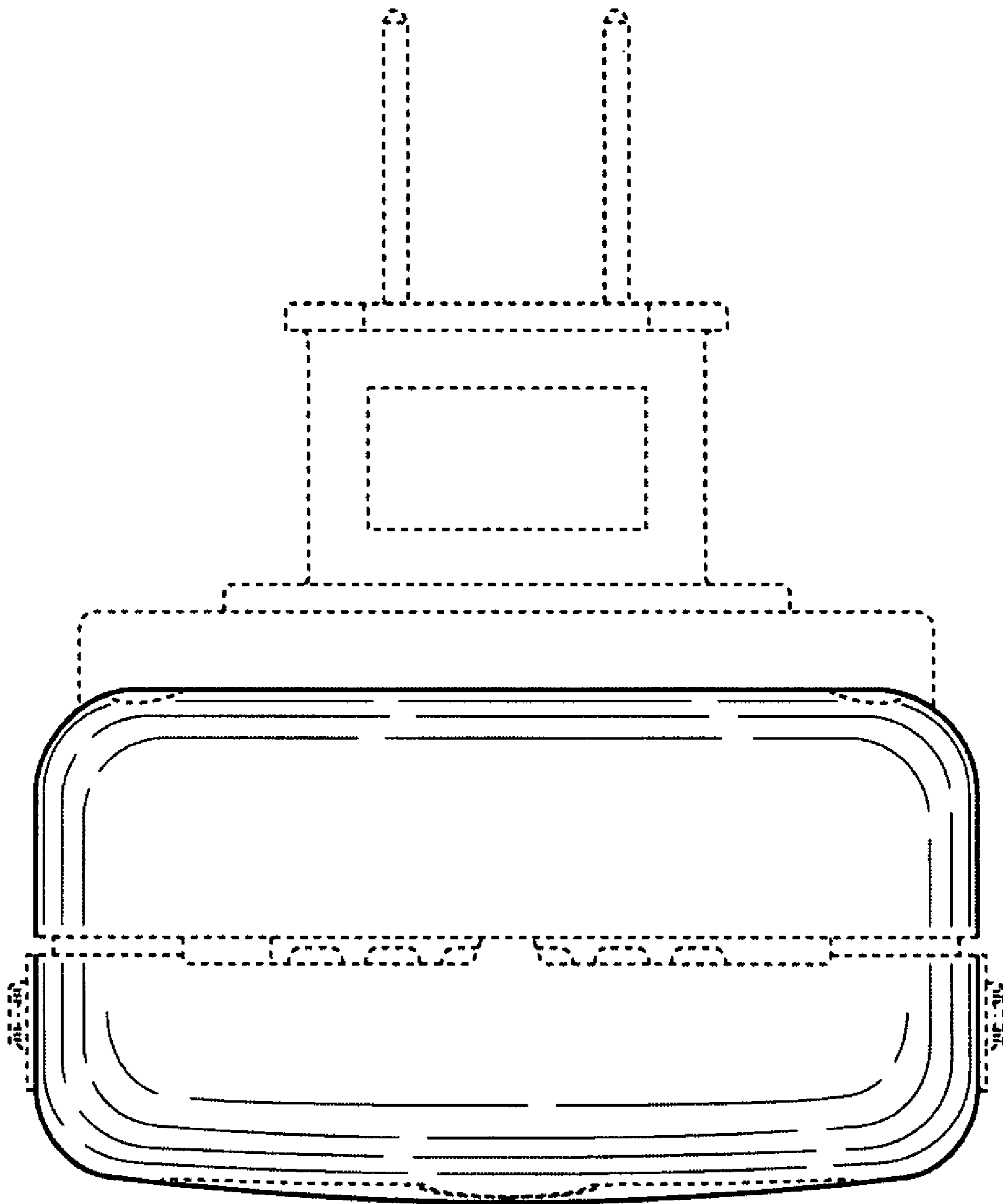


Fig. 6