



US00D582023S

(12) **United States Design Patent**
Sheppard et al.

(10) **Patent No.:** **US D582,023 S**

(45) **Date of Patent:** **** Dec. 2, 2008**

(54) **HOT WATER HEATER STAND**

(76) Inventors: **Jerome A. Sheppard**, 1824 Lafayette Dr., Hampton, VA (US) 23664; **Samuel W. Taylor**, 215 Shadywood Dr., Newport News, VA (US) 23602

(**) Term: **14 Years**

(21) Appl. No.: **29/300,800**

(22) Filed: **May 15, 2008**

(51) **LOC (8) Cl.** **23-03**

(52) **U.S. Cl.** **D23/322**

(58) **Field of Classification Search** D23/318-322;
126/363; 248/346.01, 146; 220/571; 137/362,
137/376; 392/451; D6/479, 486; 108/151
See application file for complete search history.

(56) **References Cited**

U.S. PATENT DOCUMENTS

3,069,671	A *	12/1962	Taylor	340/616
4,765,360	A	8/1988	Baird		
4,932,621	A *	6/1990	Kowk	248/146
5,368,263	A *	11/1994	Harrison	248/146
5,605,247	A *	2/1997	Earnshaw	220/571
5,645,103	A *	7/1997	Whittaker	137/312
5,685,509	A *	11/1997	Harrison	248/146
5,791,264	A	8/1998	McCraney		
5,881,762	A *	3/1999	Janesky	137/312
D415,634	S *	10/1999	Lin et al.	D6/486
6,079,587	A *	6/2000	Vogt	220/571
6,135,410	A *	10/2000	Harrison	248/346.01

D434,125	S *	11/2000	Remeyer	D23/322
6,216,990	B1 *	4/2001	Harrison	248/146
D441,855	S *	5/2001	Fine	D23/322

* cited by examiner

Primary Examiner—Robert M Spear

Assistant Examiner—Ania K Dworzecka

(74) *Attorney, Agent, or Firm*—Richard C. Litman

(57) **CLAIM**

The ornamental design for a hot water heater stand, as shown and described.

DESCRIPTION

FIG. 1 is a perspective view of a first embodiment of a hot water heater stand showing out new design;

FIG. 2 is a front elevational view, with the rear and side views being identical, thereof;

FIG. 3 is a top plan view thereof

FIG. 4 is a bottom plan view thereof;

FIG. 5 is a perspective view of a second embodiment thereof;

FIG. 6 is a front elevational view, with the rear and side views being identical, thereof;

FIG. 7 is a rear elevational view thereof;

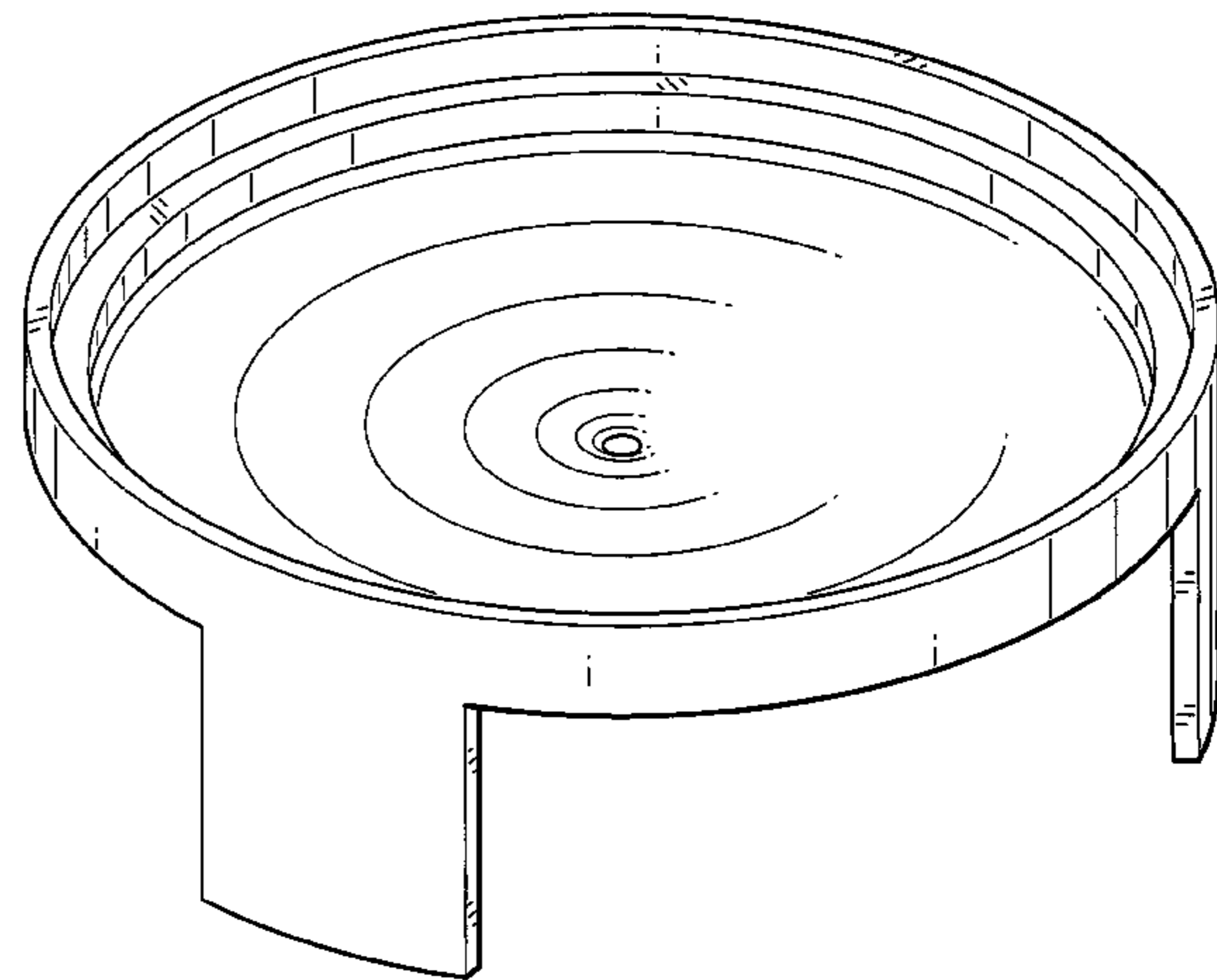
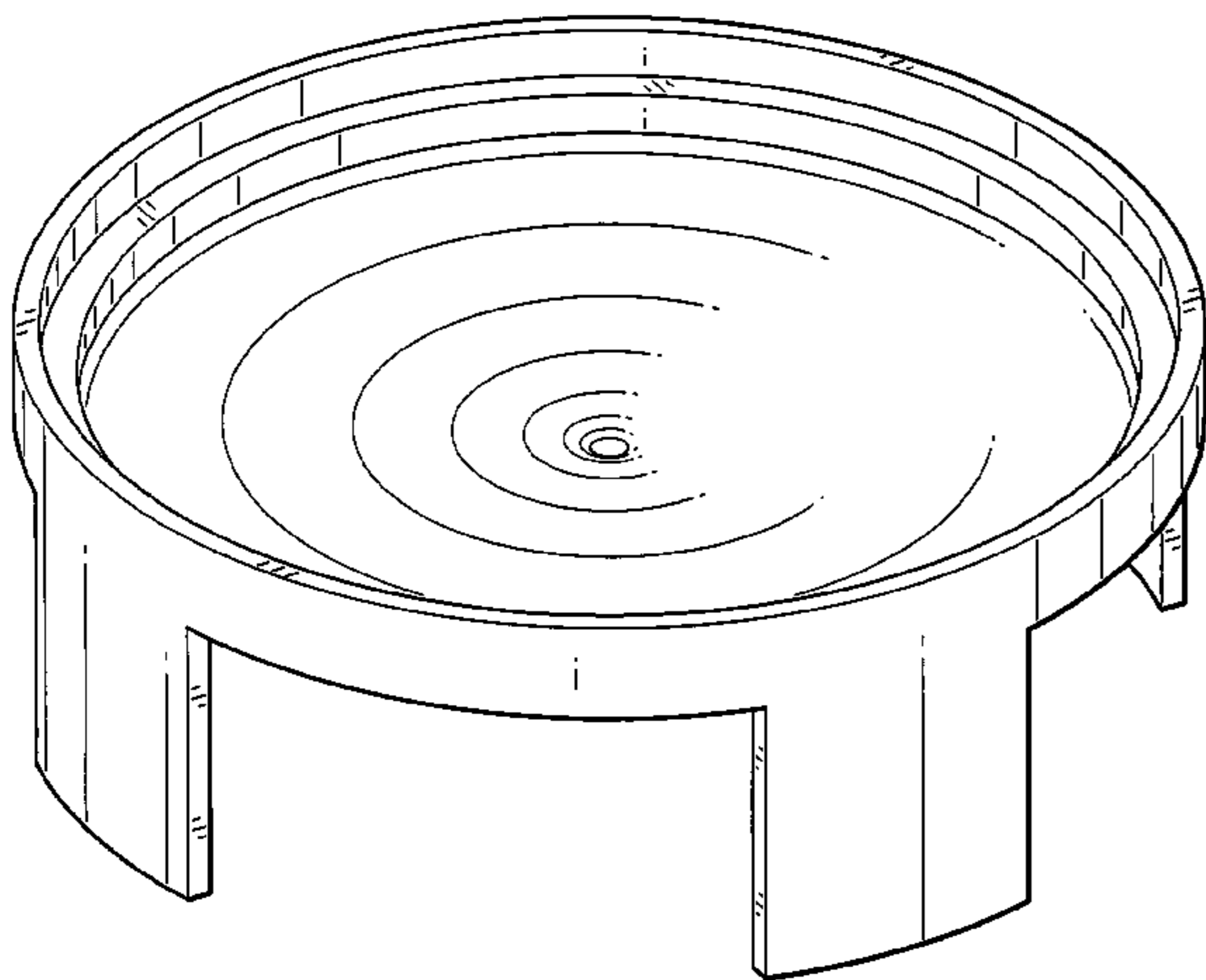
FIG. 8 is a left side elevational view thereof;

FIG. 9 is a right side elevational view thereof;

FIG. 10 is a top plan view thereof; and,

FIG. 11 is a bottom plan view thereof.

1 Claim, 8 Drawing Sheets



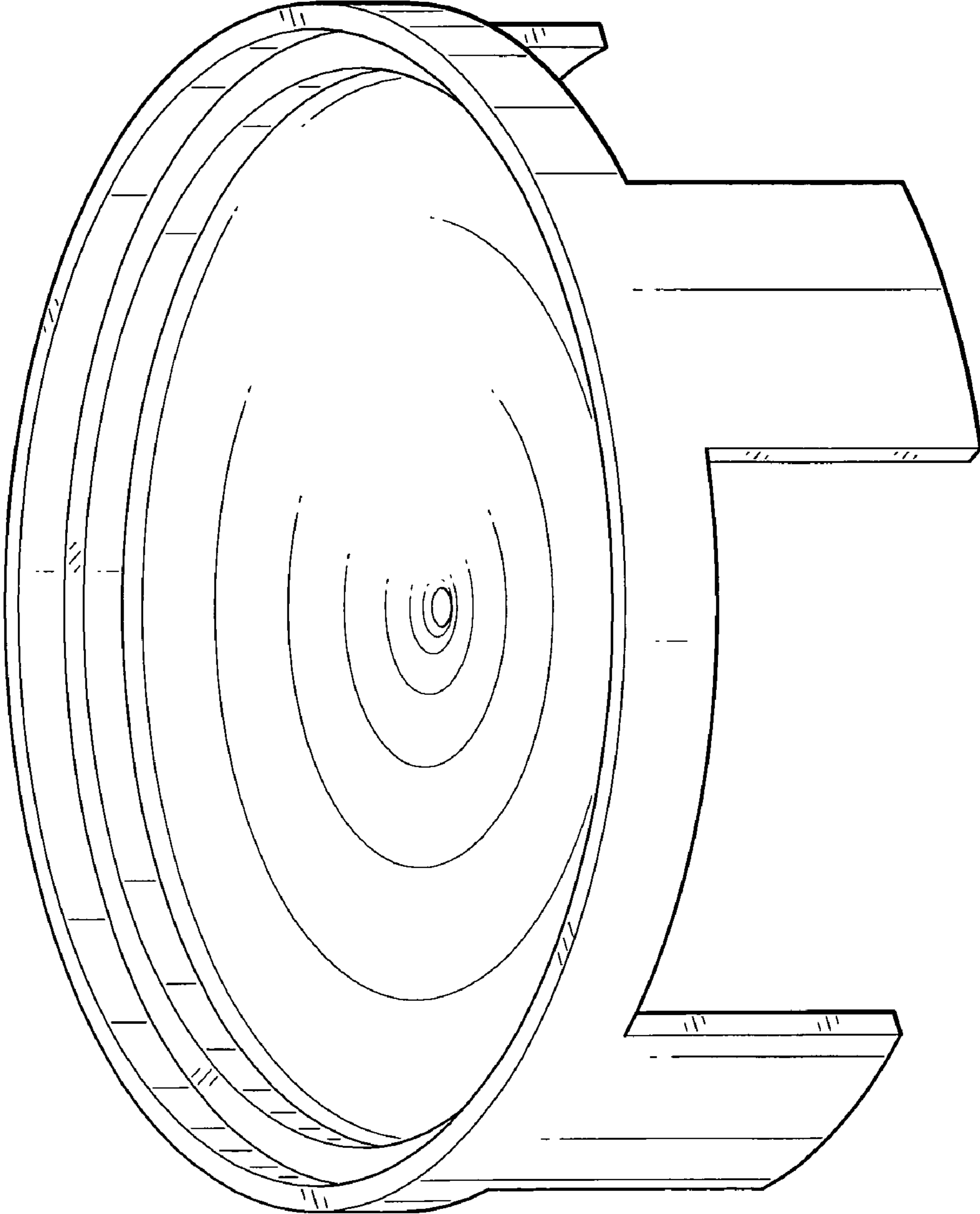


Fig. 1

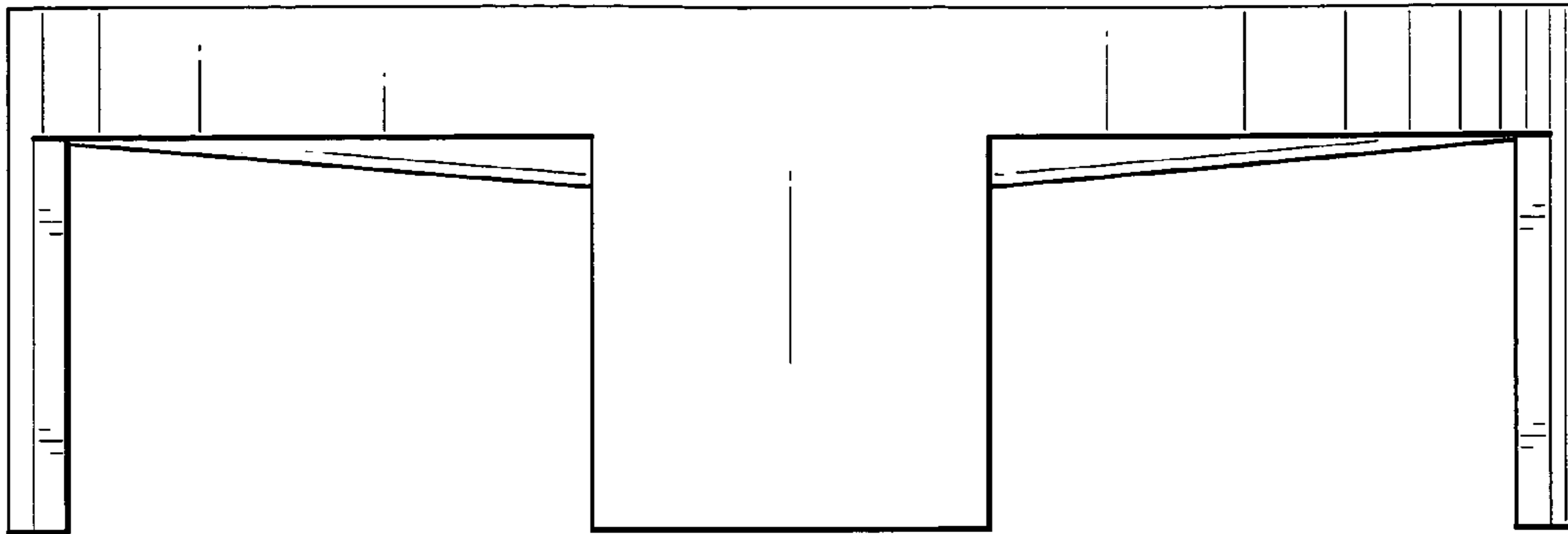


Fig. 2

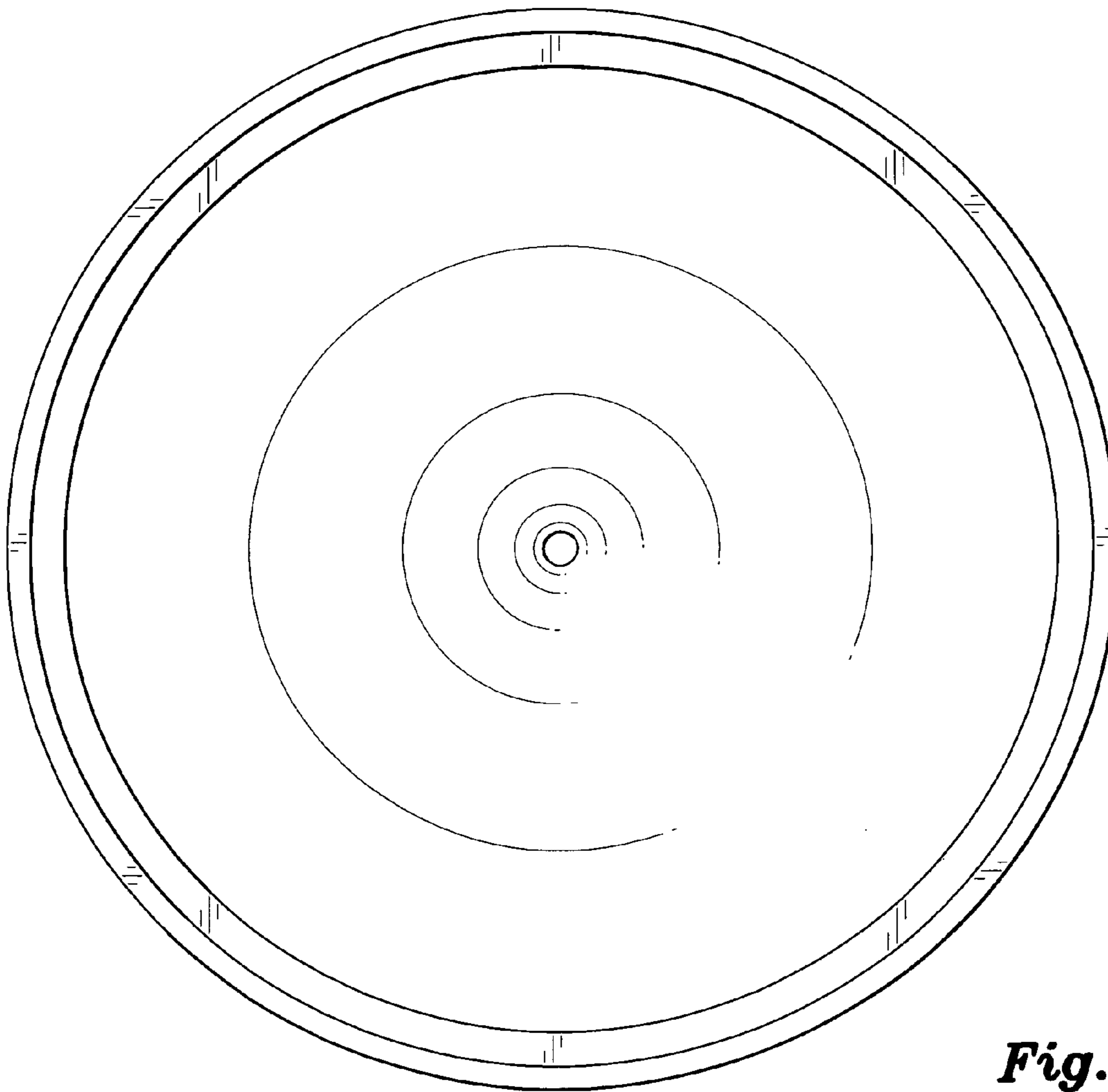


Fig. 3

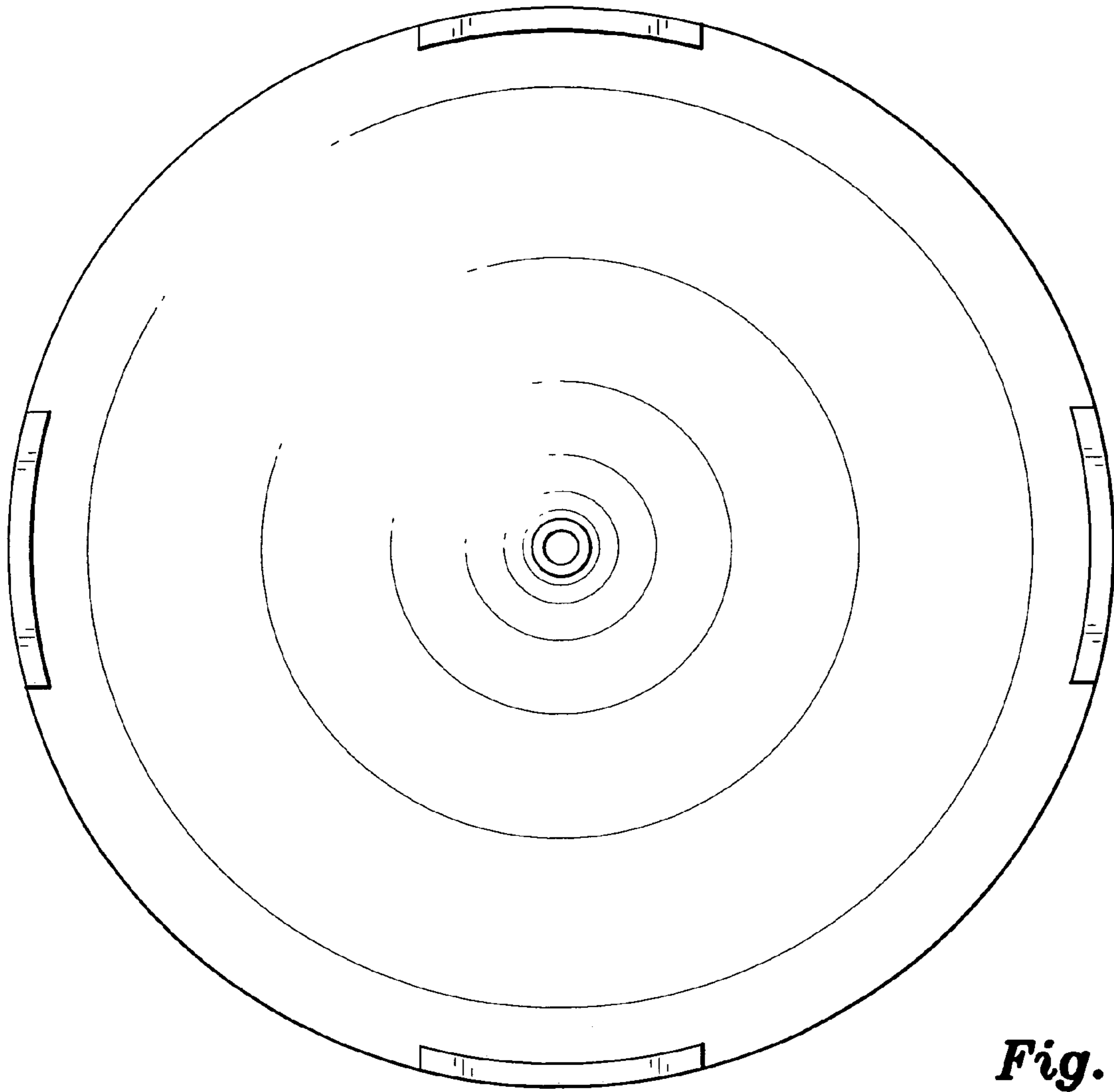


Fig. 4

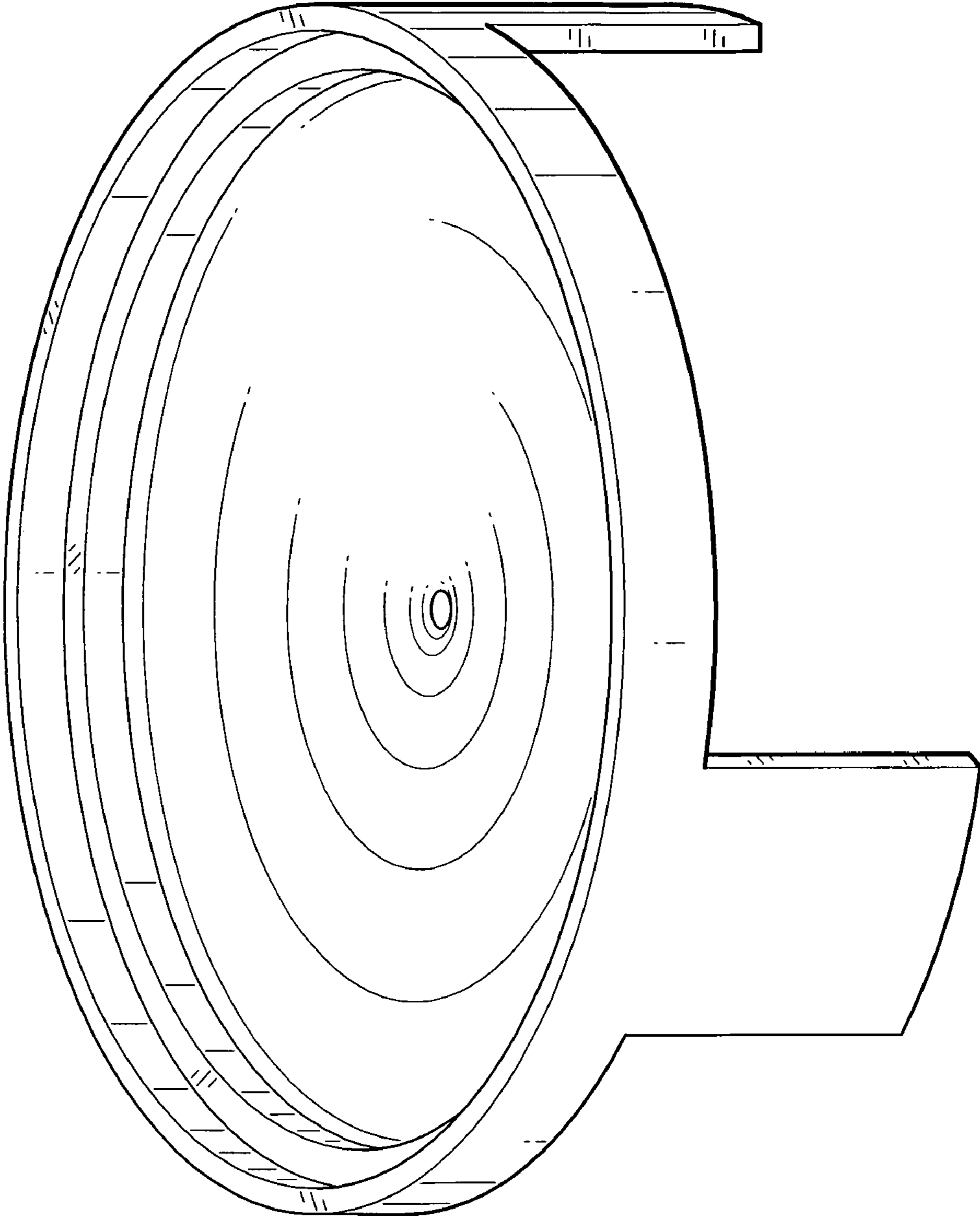


Fig. 5

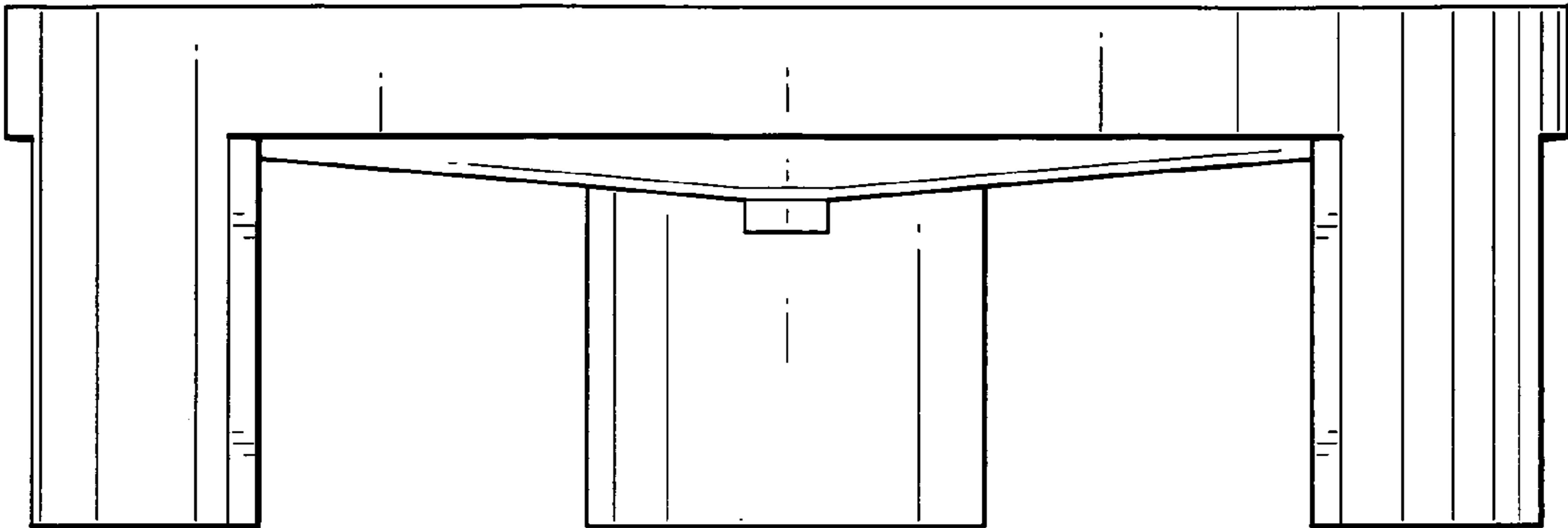


Fig. 6

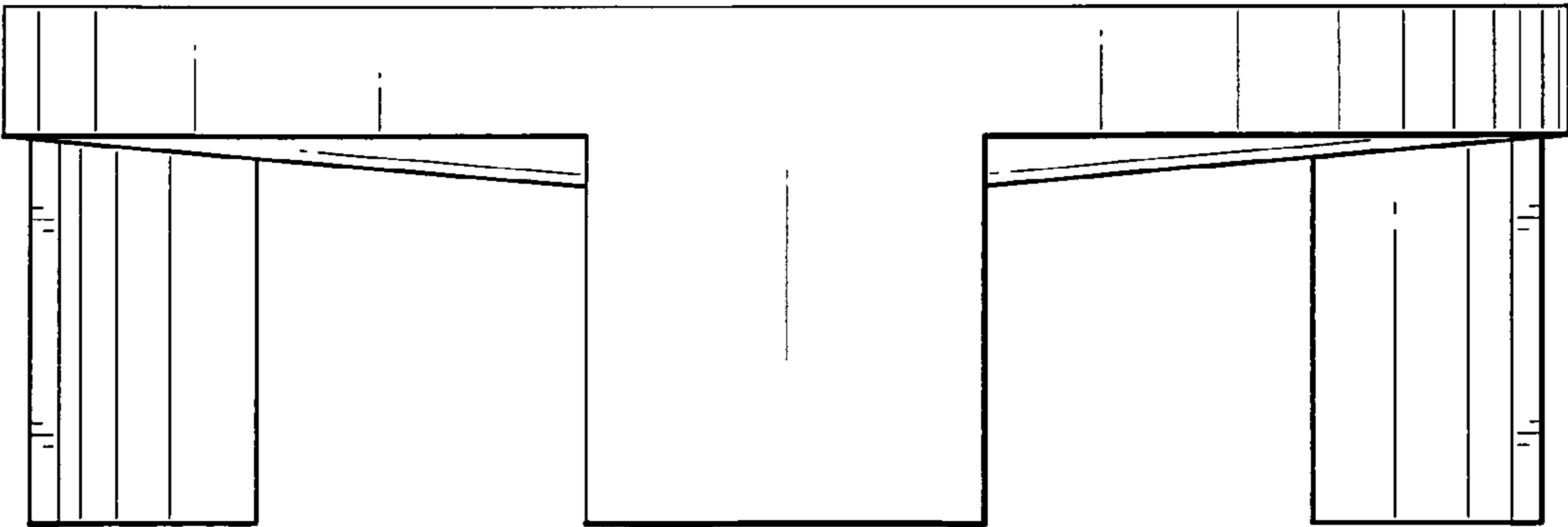


Fig. 7

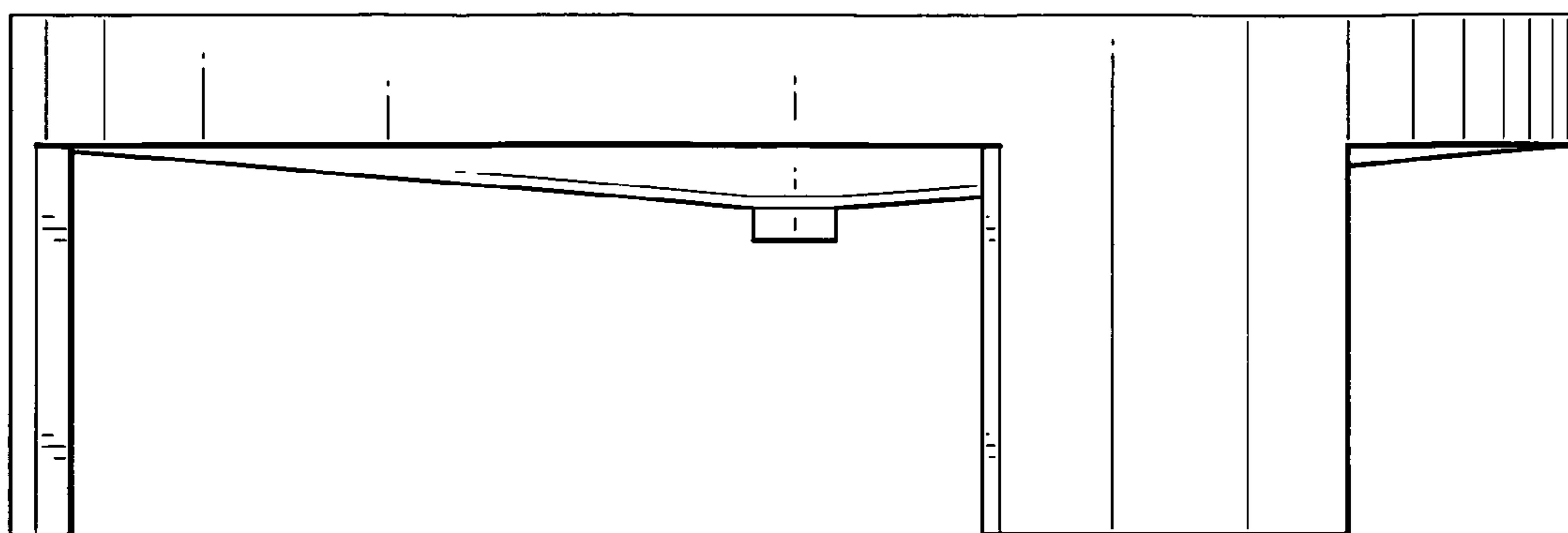


Fig. 8

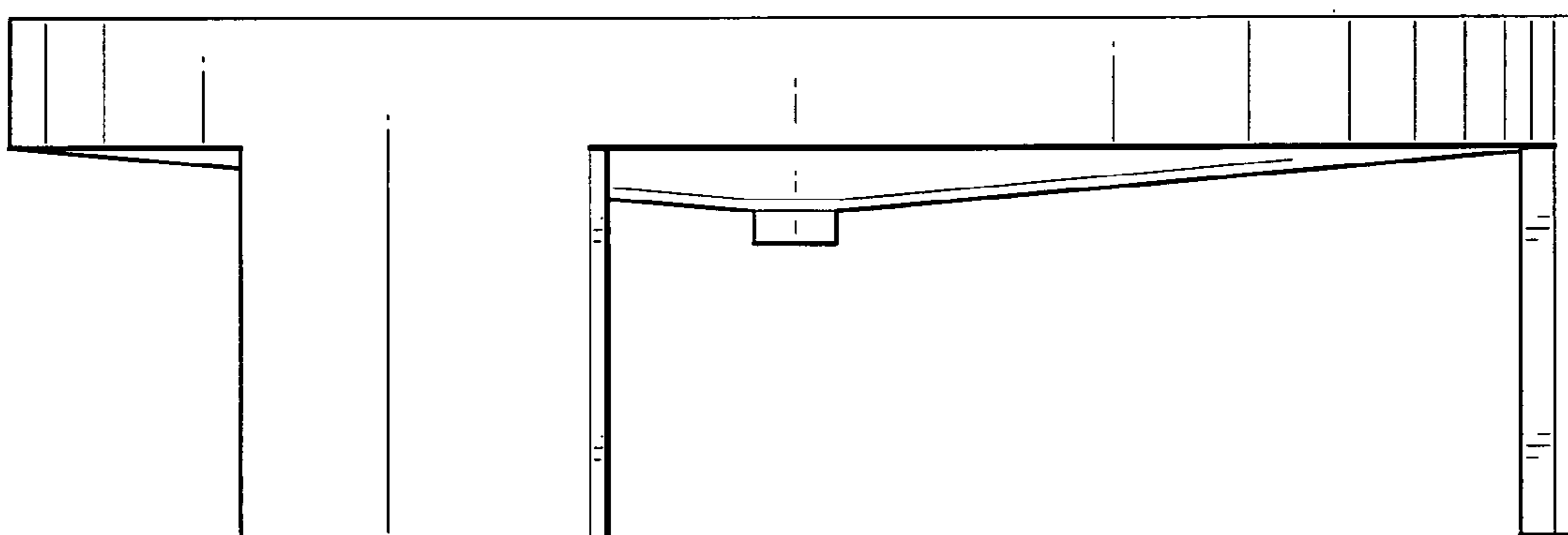


Fig. 9

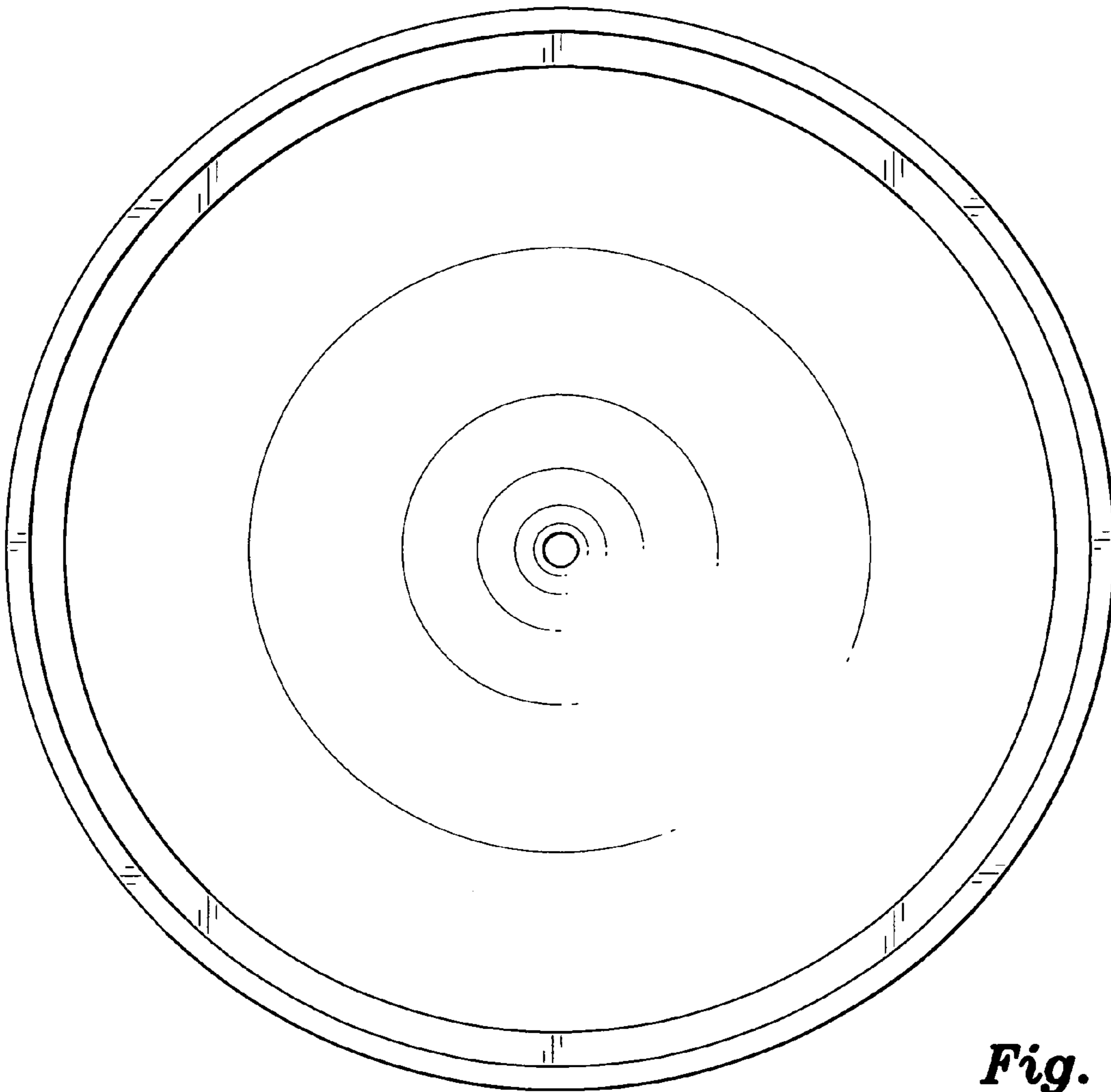


Fig. 10

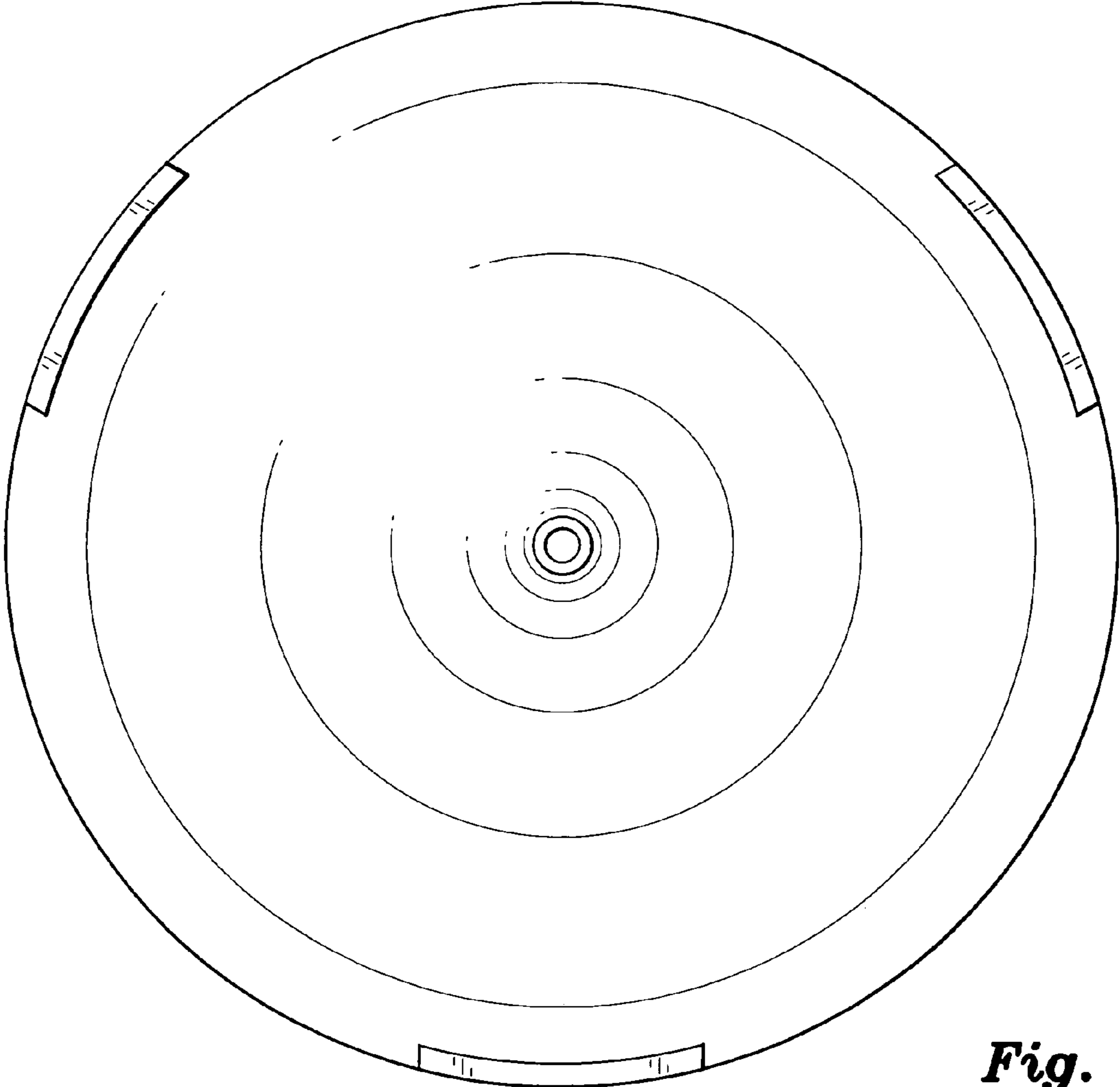


Fig. 11