



US00D582021S

(12) **United States Design Patent**  
**Stimpson et al.**

(10) **Patent No.:** **US D582,021 S**

(45) **Date of Patent:** **\*\* Dec. 2, 2008**

(54) **DROP DOWN HAND RAIL**

(75) Inventors: **Robert William Stimpson**, Douglas (IM); **Ian Felmeri**, Braddan (IM)

(73) Assignee: **DLP Limited**, Isle of Man (GB)

(\*\*) Term: **14 Years**

(21) Appl. No.: **29/283,993**

(22) Filed: **Aug. 29, 2007**

(30) **Foreign Application Priority Data**

Mar. 21, 2007 (EP) ..... 000694781

(51) **LOC (8) Cl.** ..... **23-02**

(52) **U.S. Cl.** ..... **D23/304**

(58) **Field of Classification Search** ..... D23/275,  
D23/283, 303-304; 4/570, 615, 661, 900;  
D8/363, 377; 248/229.1, 218.4

See application file for complete search history.

(56) **References Cited**

**U.S. PATENT DOCUMENTS**

2,940,085	A *	6/1960	Hussey	.....	4/577.1
D208,396	S *	8/1967	Holloway	.....	D23/304
D209,040	S *	10/1967	Aleks	.....	D8/319
5,329,651	A *	7/1994	Mardero et al.	.....	4/605
5,467,486	A *	11/1995	Guenther	.....	4/578.1
6,332,230	B1 *	12/2001	Chang	.....	4/577.1
7,171,705	B1 *	2/2007	Hicks	.....	4/576.1

\* cited by examiner

*Primary Examiner*—Robert A Delehanty

(74) *Attorney, Agent, or Firm*—Martin Fleit; Paul D. Bianco; Fleit Gibbons Gutman Bongini & Bianco PL

(57) **CLAIM**

The ornamental design for a drop down hand rail, as shown and described.

**DESCRIPTION**

FIG. 1 is a perspective view of a first embodiment of a drop down hand rail, showing our new design;

FIG. 2 is an elevational view from one side of the drop down hand rail, as shown in FIG. 1, the other side matches;

FIG. 3 is a rear view of the drop down hand rail, shown in FIG. 1;

FIG. 4 is a plan view from below of the drop down hand rail;

FIG. 5 is a front view of the drop down hand rail;

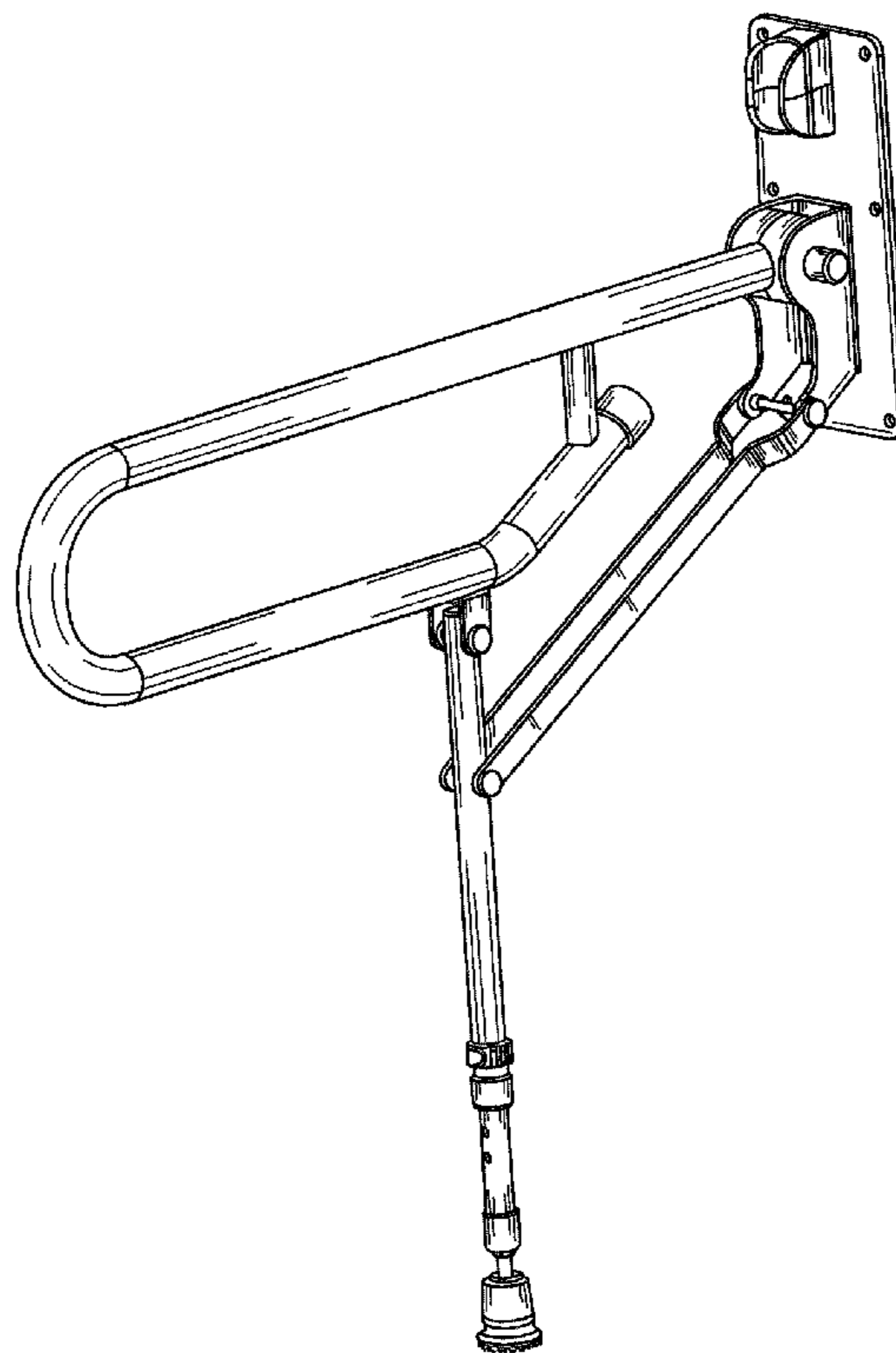
FIG. 6 is a plan view from above of the drop down hand rail; and

FIG. 7 is an enlarged perspective view of a two-part clamping knuckle used in the drop down hand rail;

FIG. 8 is a perspective view of one side of one part of the clamping knuckle, shown in FIG. 7, the other part matches; and,

FIG. 9 is a perspective view of the other side of one part of the clamping knuckle, shown in FIG. 7, the other part matches.

**1 Claim, 7 Drawing Sheets**



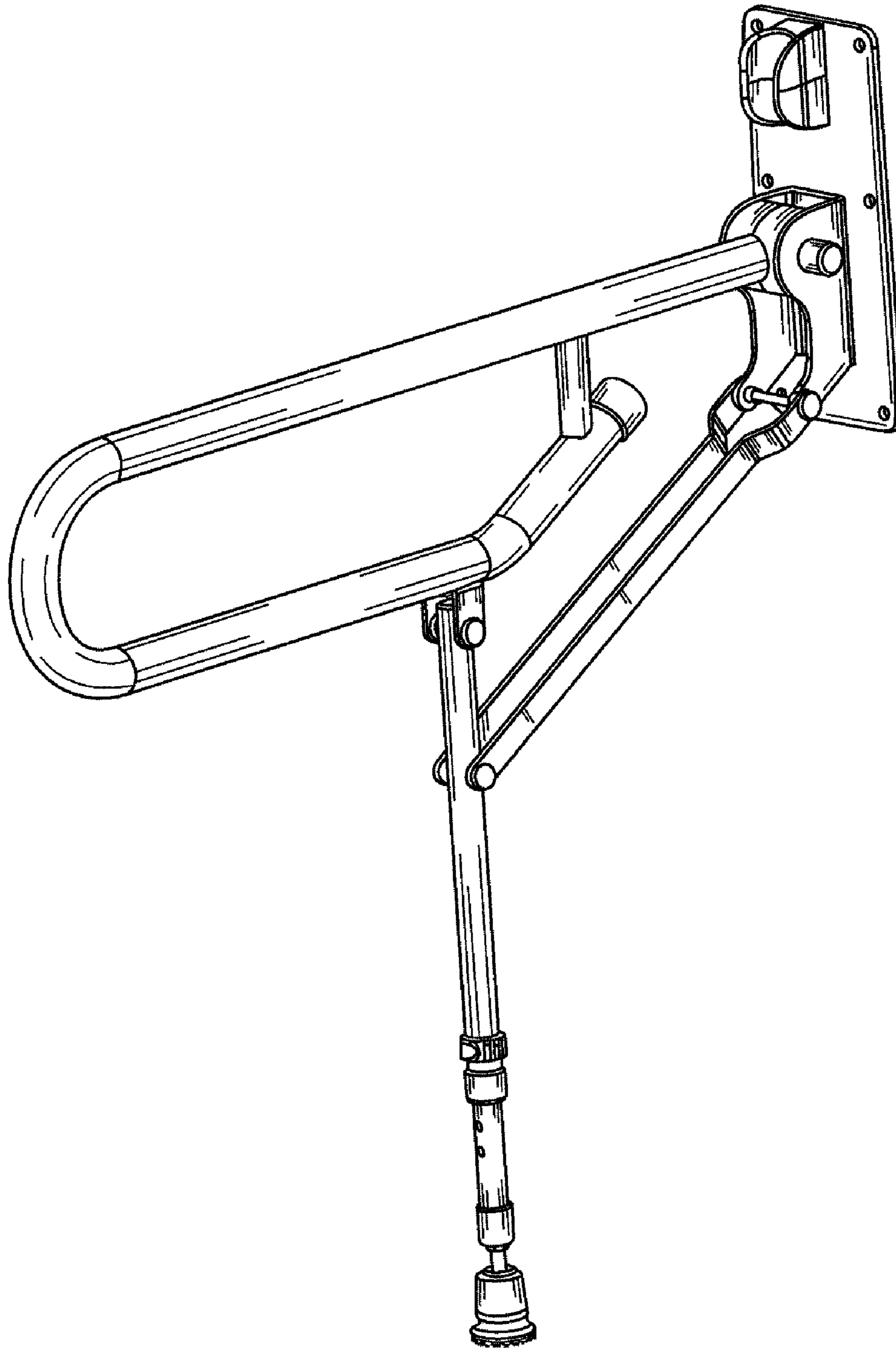


FIG. 1

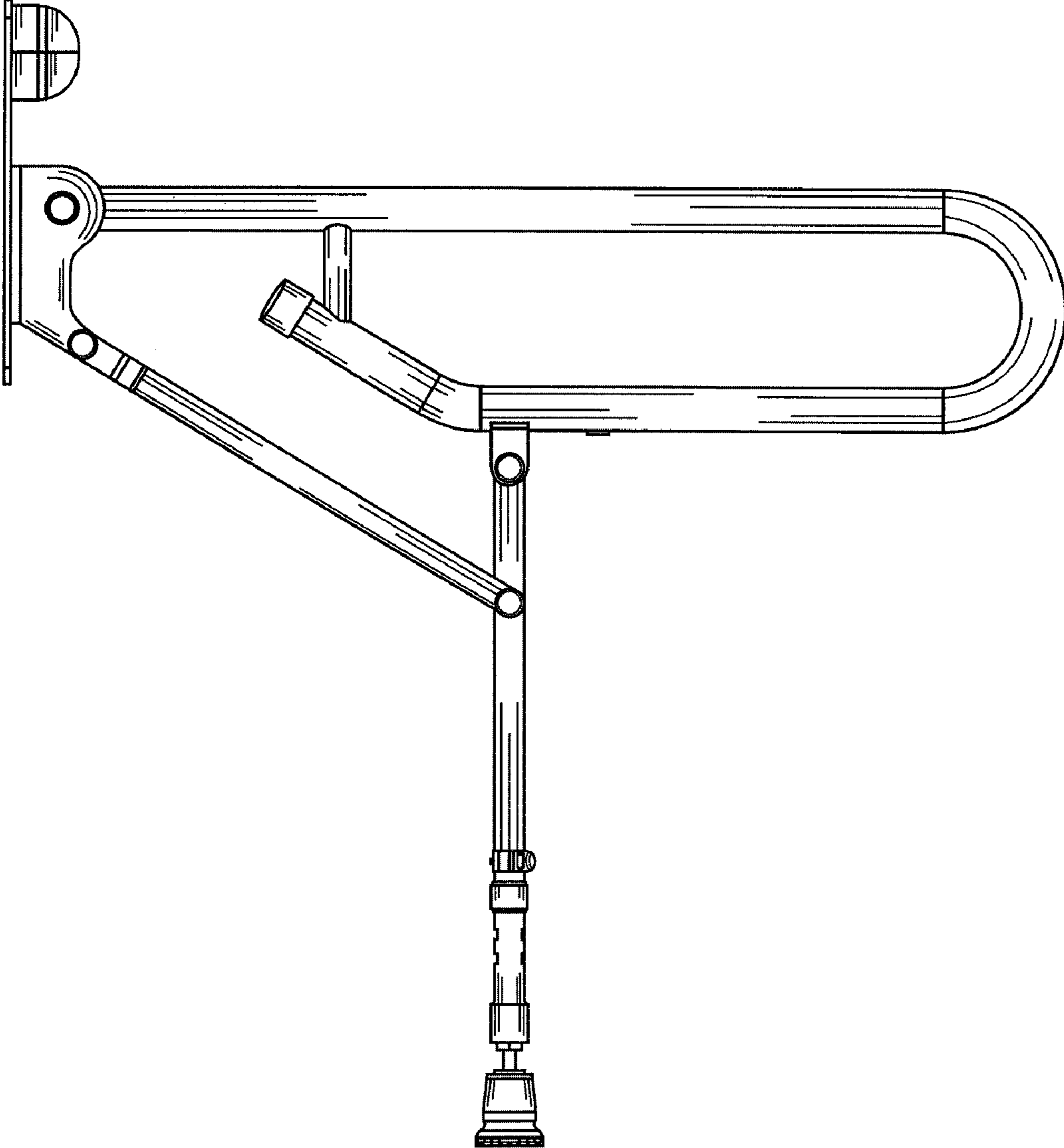


FIG. 2

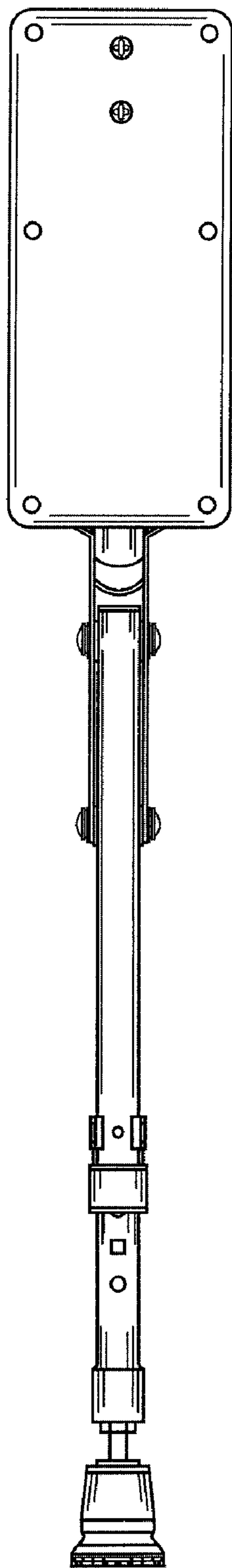


FIG. 3

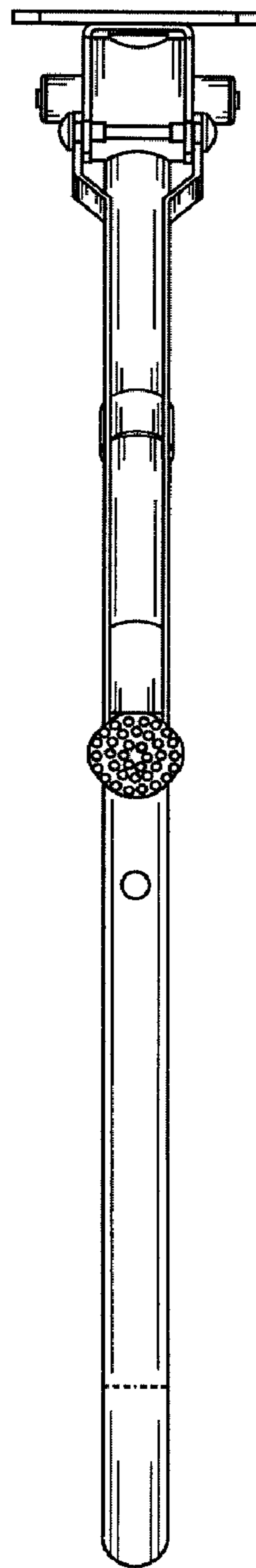


FIG. 4

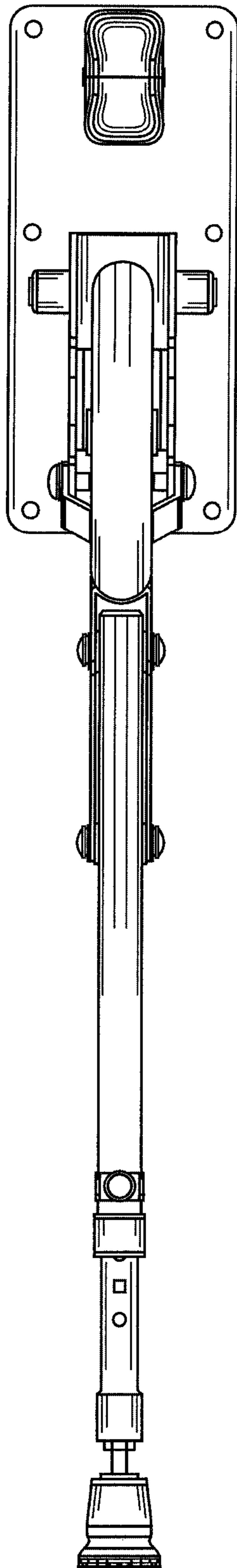


FIG. 5

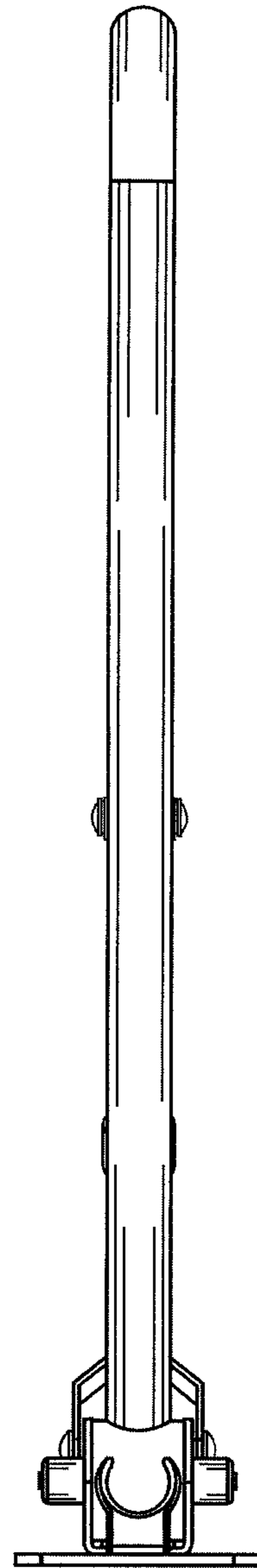


FIG. 6

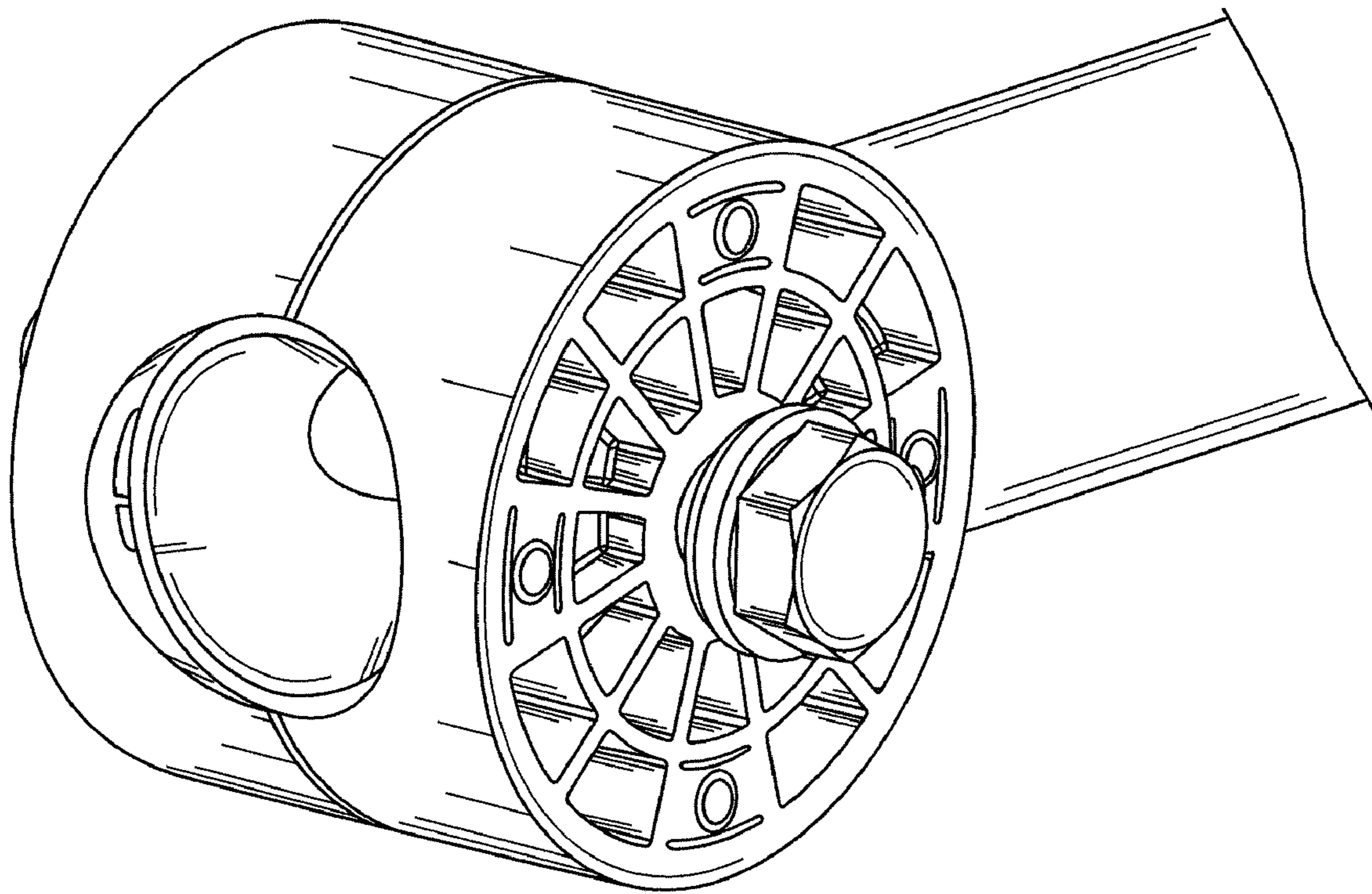


FIG. 7

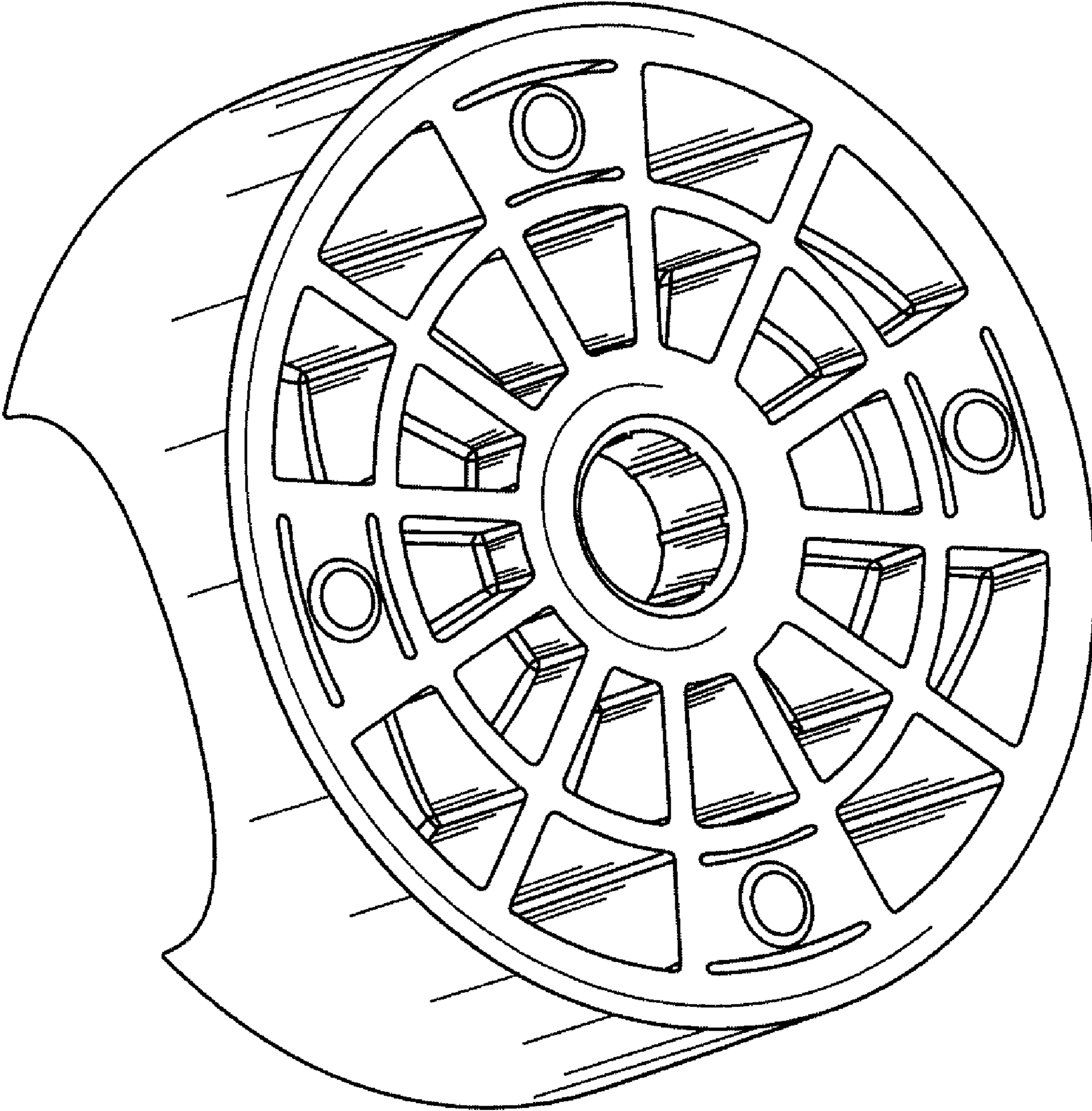


FIG. 8

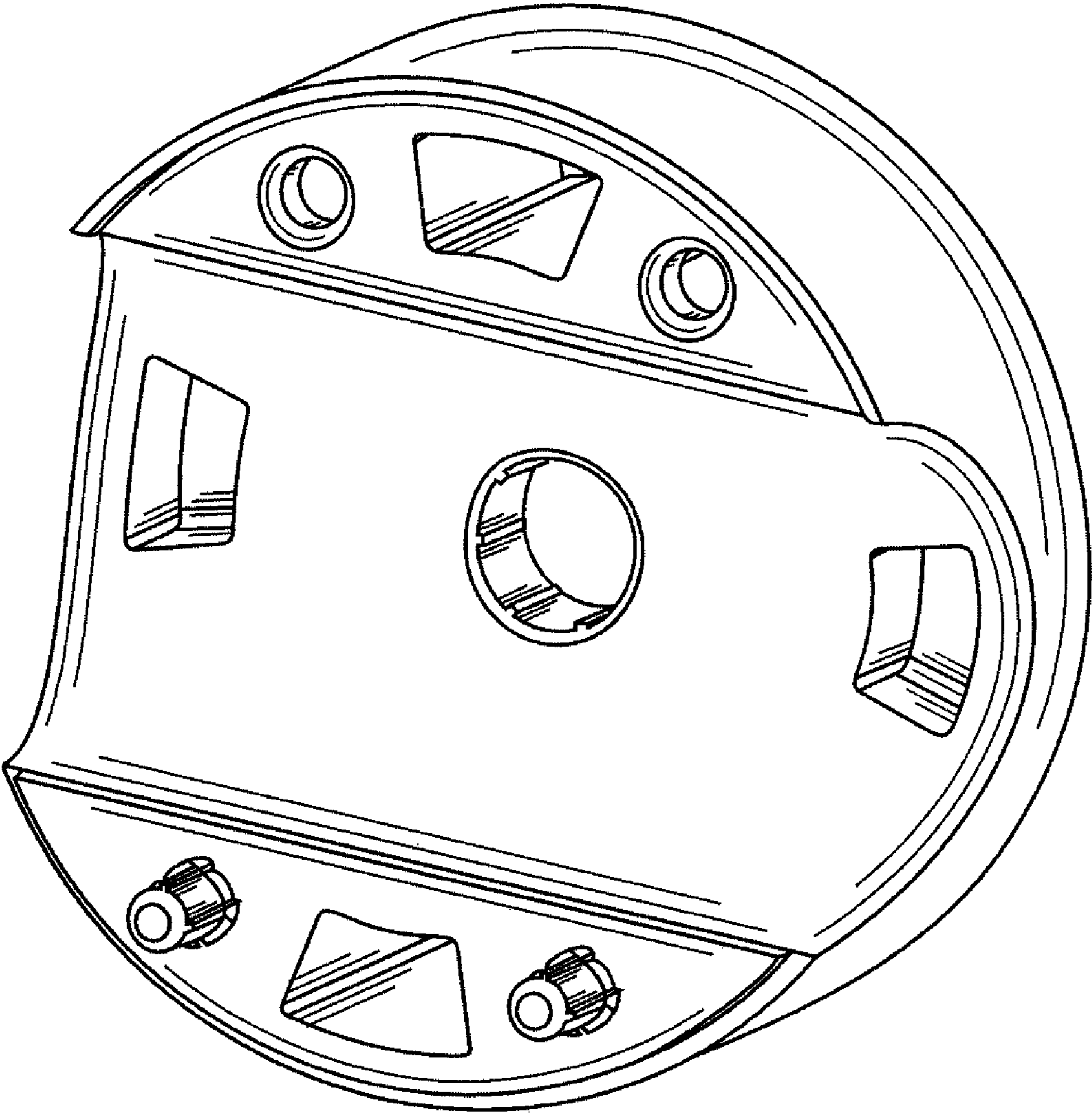


FIG. 9