



US00D582020S

(12) **United States Design Patent**  
**Porter**

(10) **Patent No.:** **US D582,020 S**

(45) **Date of Patent:** **\*\* Dec. 2, 2008**

(54) **FAUX SCUPPER BOX**

(76) Inventor: **William D. Porter**, 1868 Mill Hill Rd.,  
St. Clair, MO (US) 63077

(\*\*) Term: **14 Years**

(21) Appl. No.: **29/305,848**

(22) Filed: **Mar. 28, 2008**

(51) **LOC (8) Cl.** ..... **23-01**

(52) **U.S. Cl.** ..... **D23/267**

(58) **Field of Classification Search** ..... D23/267;  
52/11, 16; 285/183, 424

See application file for complete search history.

(56) **References Cited**

U.S. PATENT DOCUMENTS

- 803,364 A \* 10/1905 Rubispierre ..... 137/801
- D230,597 S \* 3/1974 Settle ..... D23/262
- D260,422 S \* 8/1981 Husted ..... D23/209
- D278,077 S \* 3/1985 Lott ..... D23/267
- 4,956,948 A \* 9/1990 Hart ..... 52/16

- D475,440 S \* 6/2003 Sawyer ..... D23/267
- 7,096,627 B2 \* 8/2006 Wade ..... 52/12

\* cited by examiner

*Primary Examiner*—Louis S Zarfaz

*Assistant Examiner*—Eric L Goodman

(74) *Attorney, Agent, or Firm*—Grace J. Fishel

(57) **CLAIM**

The ornamental design for a faux scupper box, as shown.

**DESCRIPTION**

FIG. 1 is a perspective view of a faux scupper box showing my new design;

FIG. 2 is a front elevation thereof;

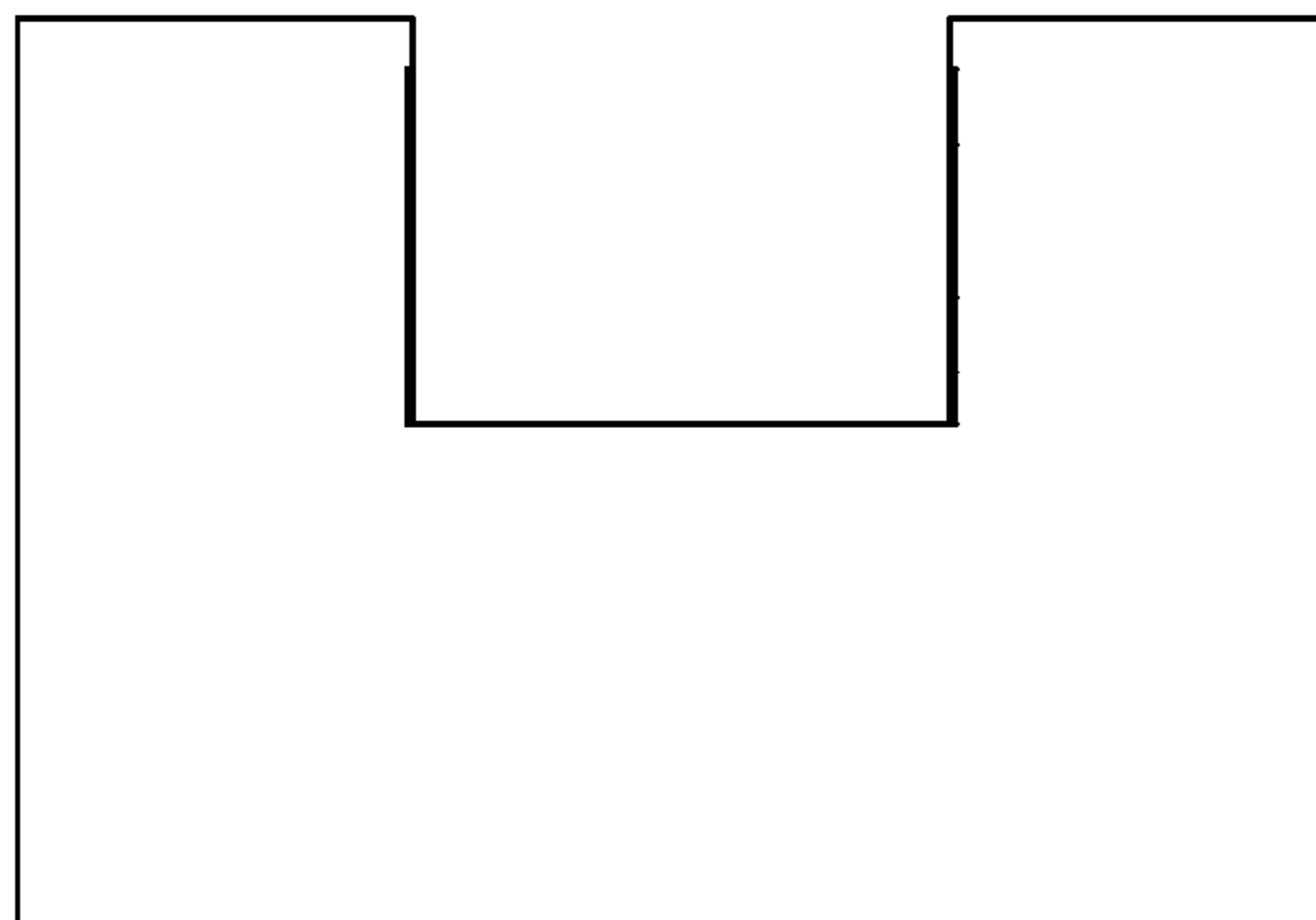
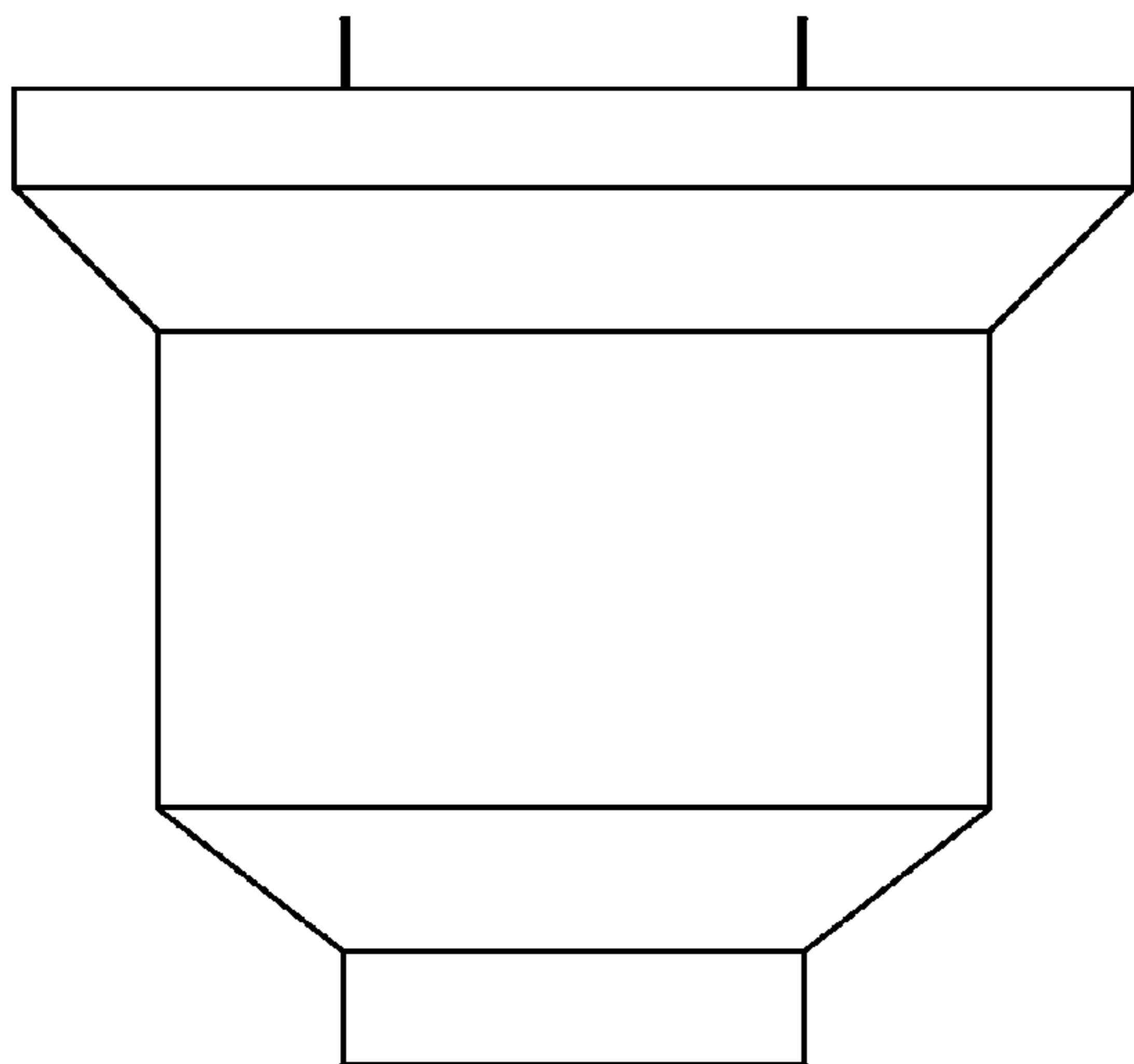
FIG. 3 is a top plan view thereof;

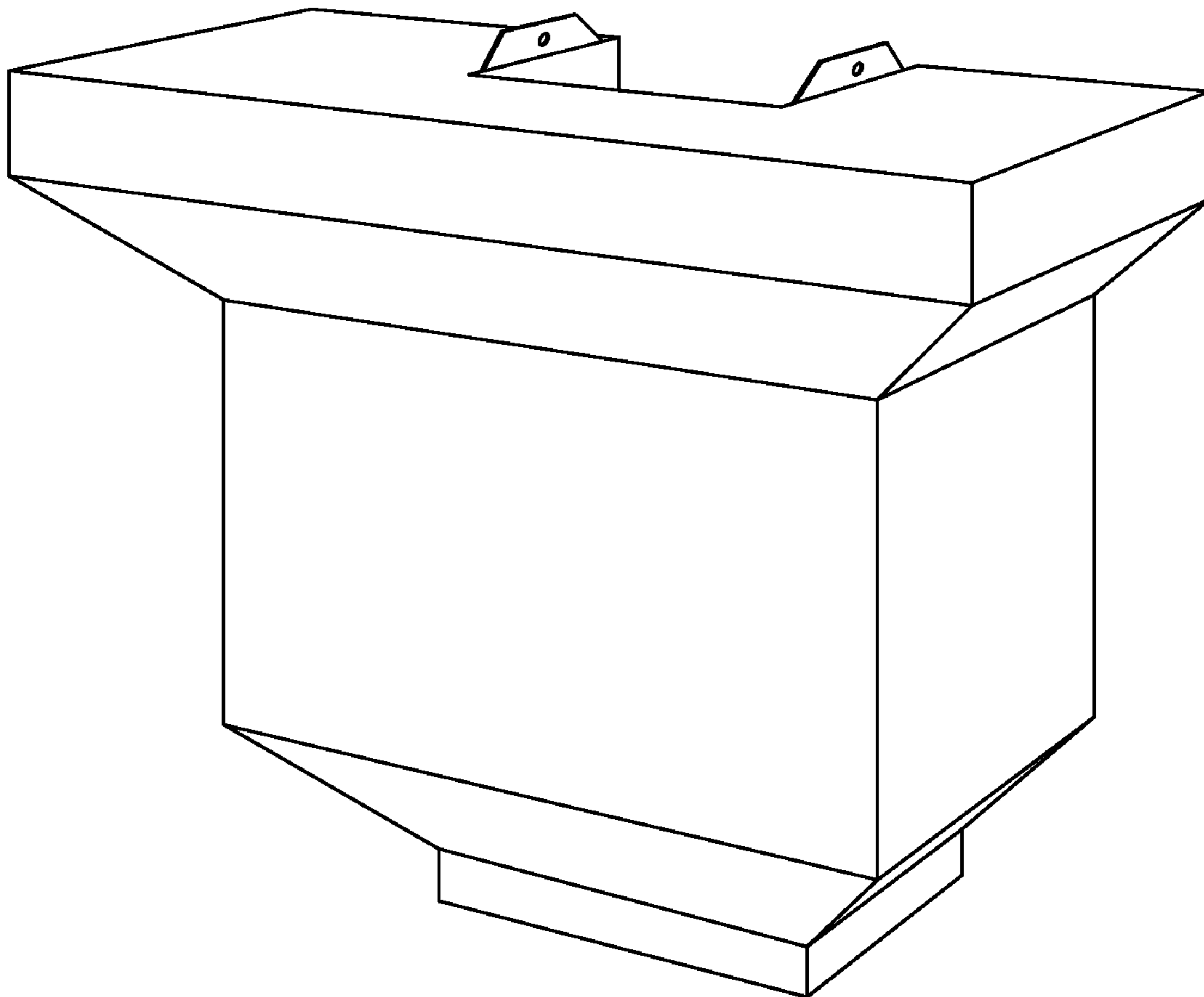
FIG. 4 is a right side elevation thereof, the left side being a mirror image thereof;

FIG. 5 is rear elevation thereof; and,

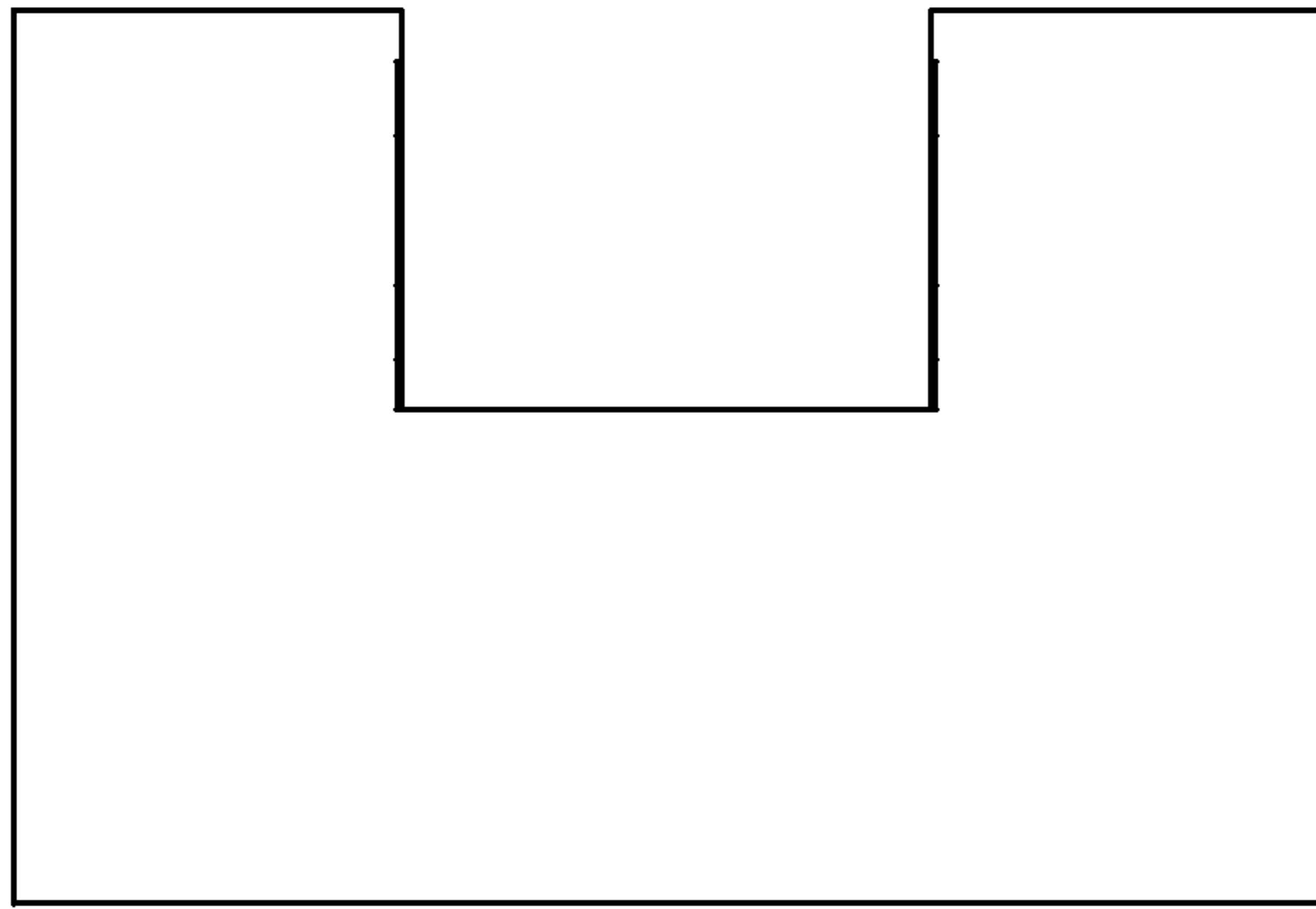
FIG. 6 is a bottom plan view thereof.

**1 Claim, 3 Drawing Sheets**

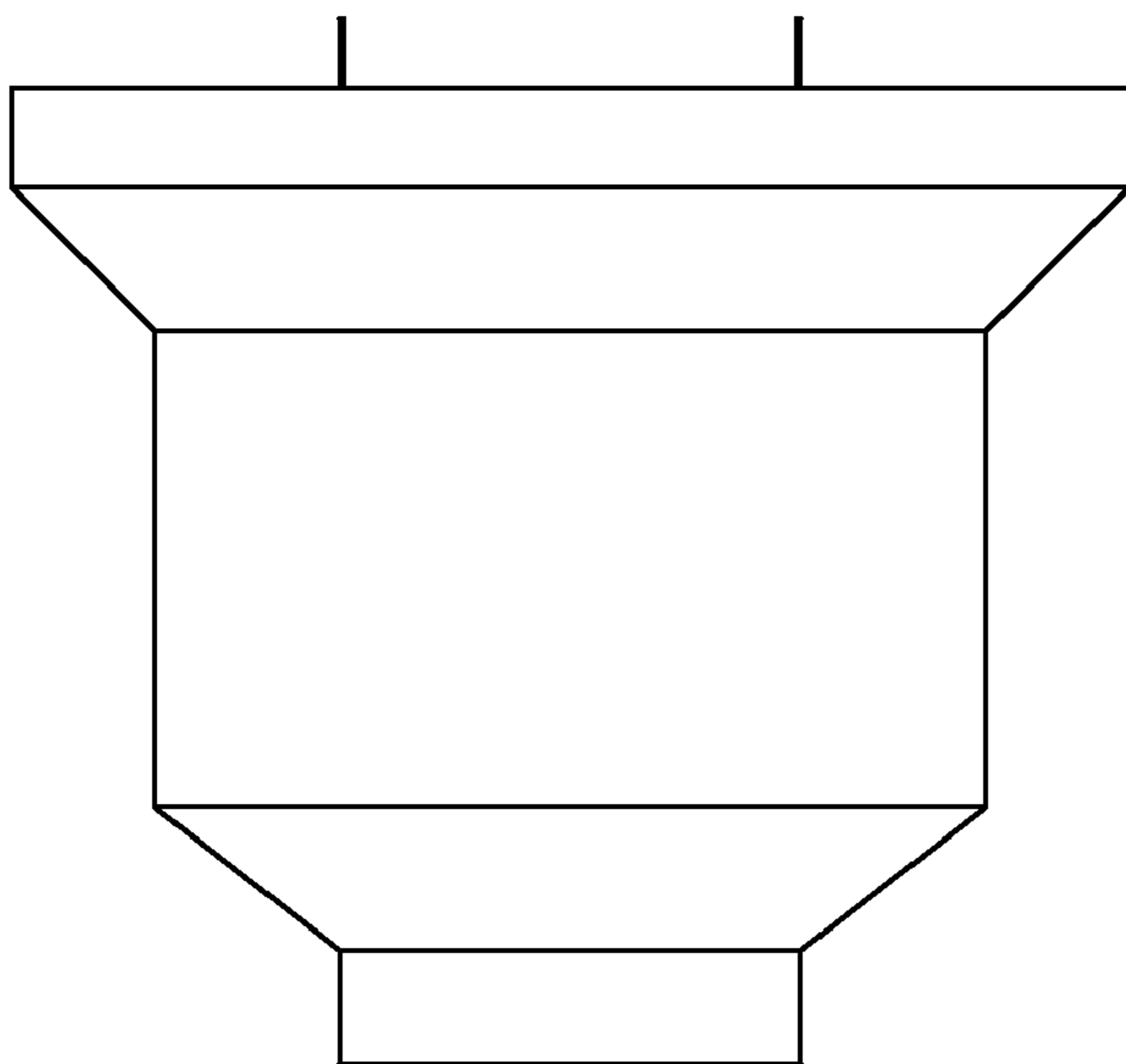




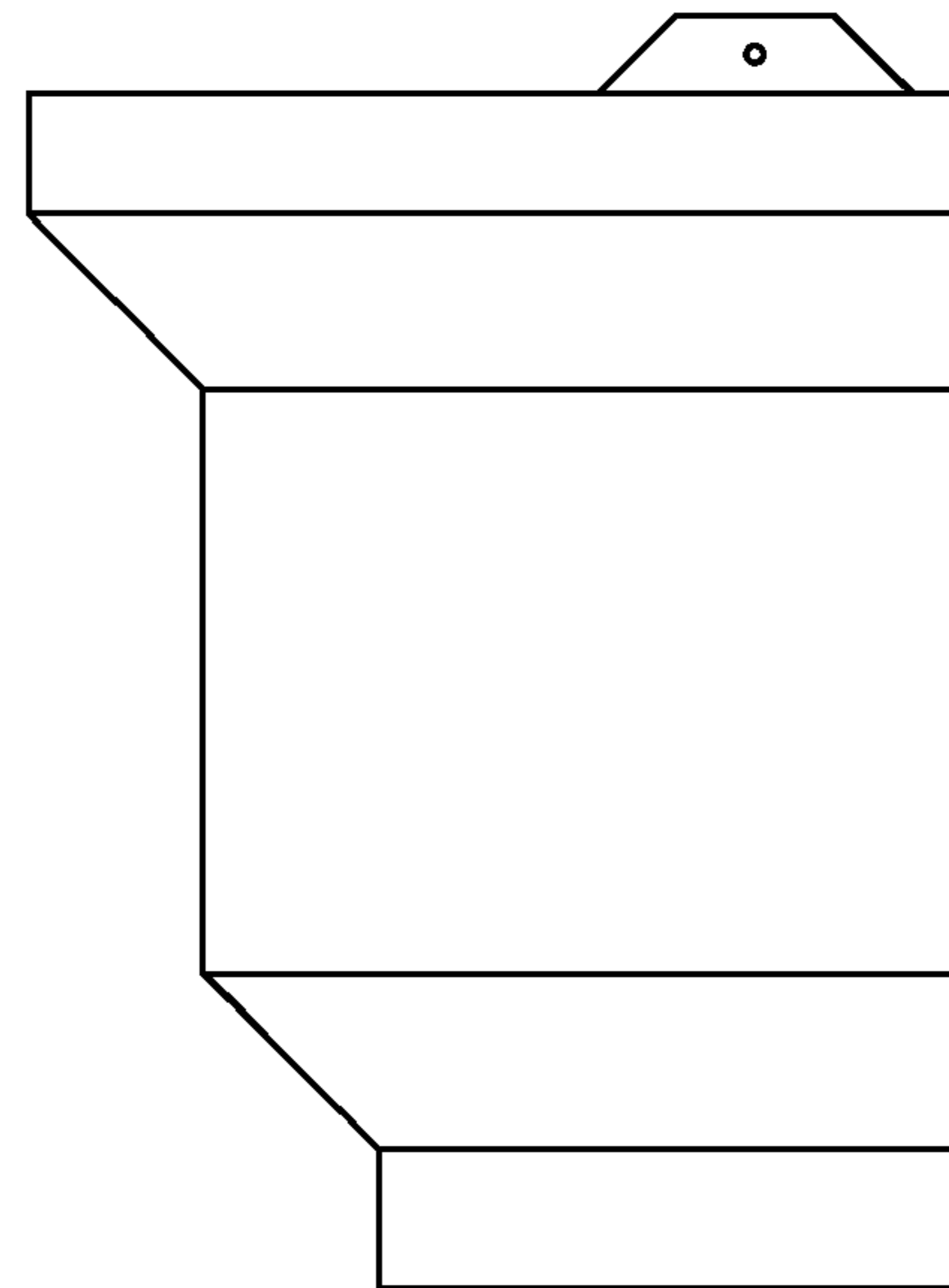
*Fig. 1*



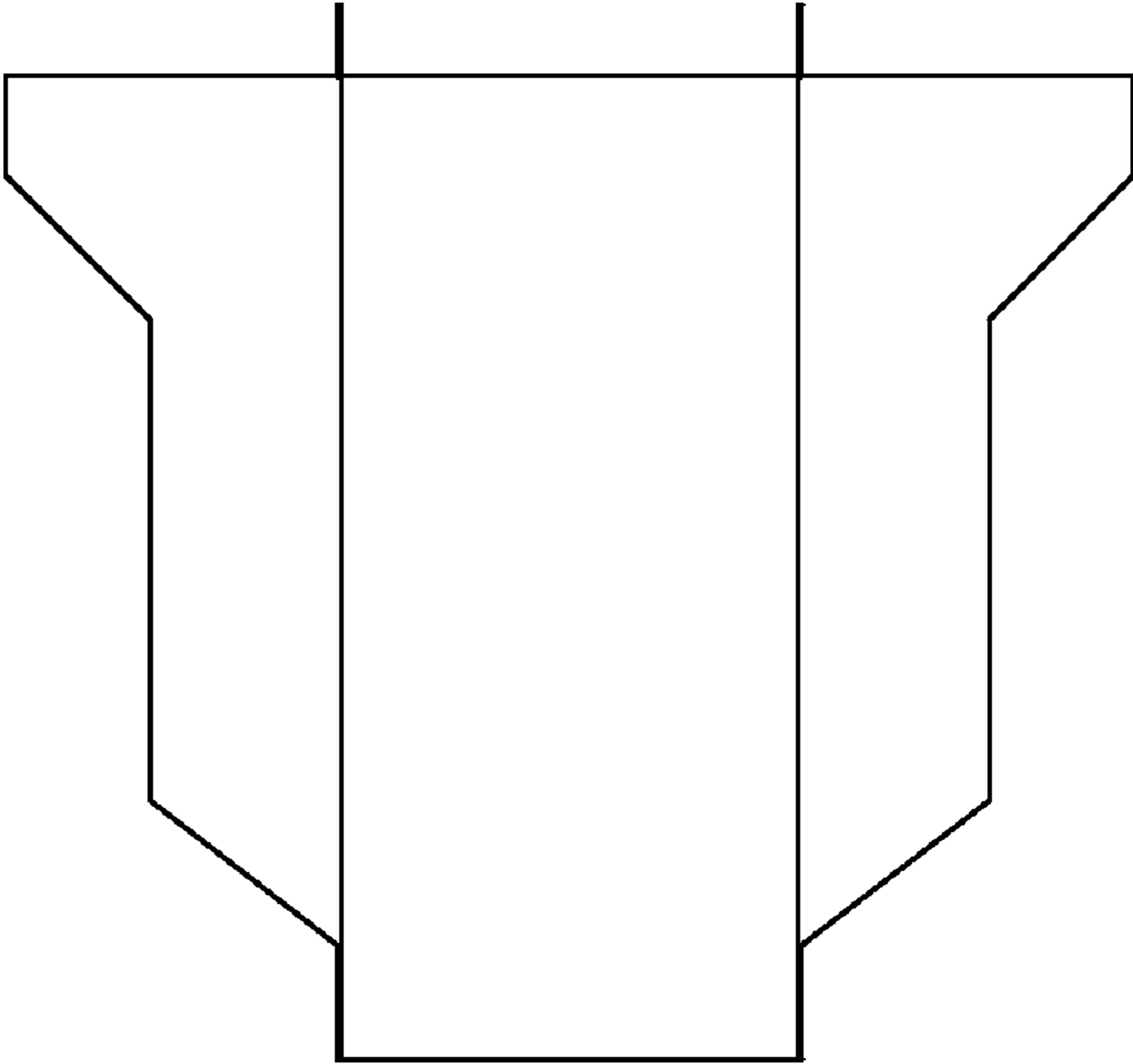
*Fig. 3*



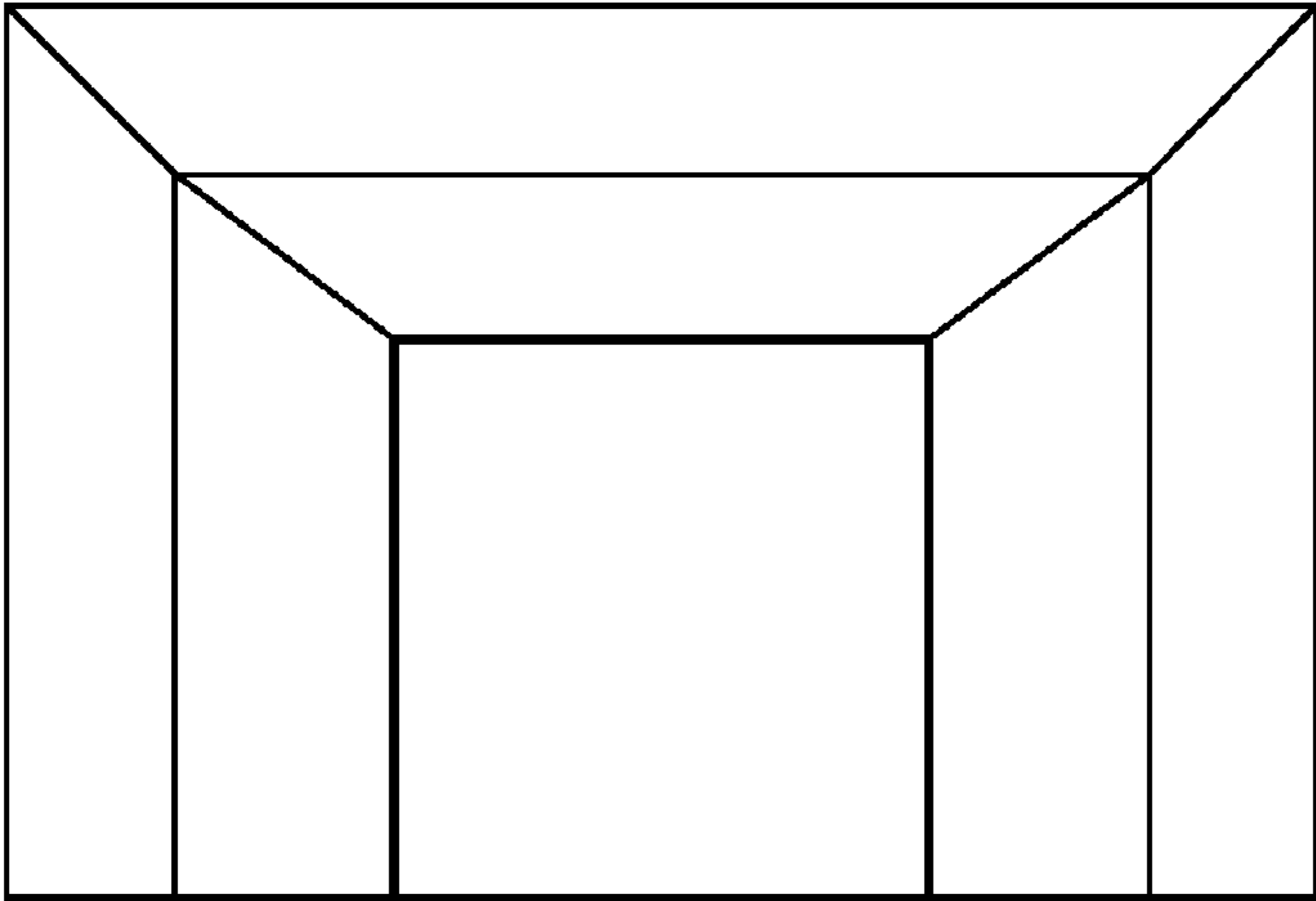
*Fig. 2*



*Fig. 4*



*Fig. 5*



*Fig. 6*