



US00D582019S

(12) **United States Design Patent**
Yuan

(10) **Patent No.:** **US D582,019 S**
(45) **Date of Patent:** **** Dec. 2, 2008**

(54) **PORTION OF A FAUCET**

(76) Inventor: **Aihui Yuan**, 2431 NW. Irving, #24,
Portland, OR (US) 97210

(**) Term: **14 Years**

(21) Appl. No.: **29/289,698**

(22) Filed: **Jul. 26, 2007**

(51) **LOC (8) Cl.** **23-01**

(52) **U.S. Cl.** **D23/255**

(58) **Field of Classification Search** D23/255-257,
D23/238-243; 4/675-678; 137/801
See application file for complete search history.

(56) **References Cited**

U.S. PATENT DOCUMENTS

D535,723 S * 1/2007 Veltz D23/238

D564,270 S * 3/2008 Gilbert D6/524

D566,245 S * 4/2008 Dolan D23/255

D570,451 S * 6/2008 Dolan D23/242

* cited by examiner

Primary Examiner—Robert A Delehanty

(57) **CLAIM**

The ornamental design for a portion of a faucet, as shown and described.

DESCRIPTION

FIG. 1 is a perspective view thereof;

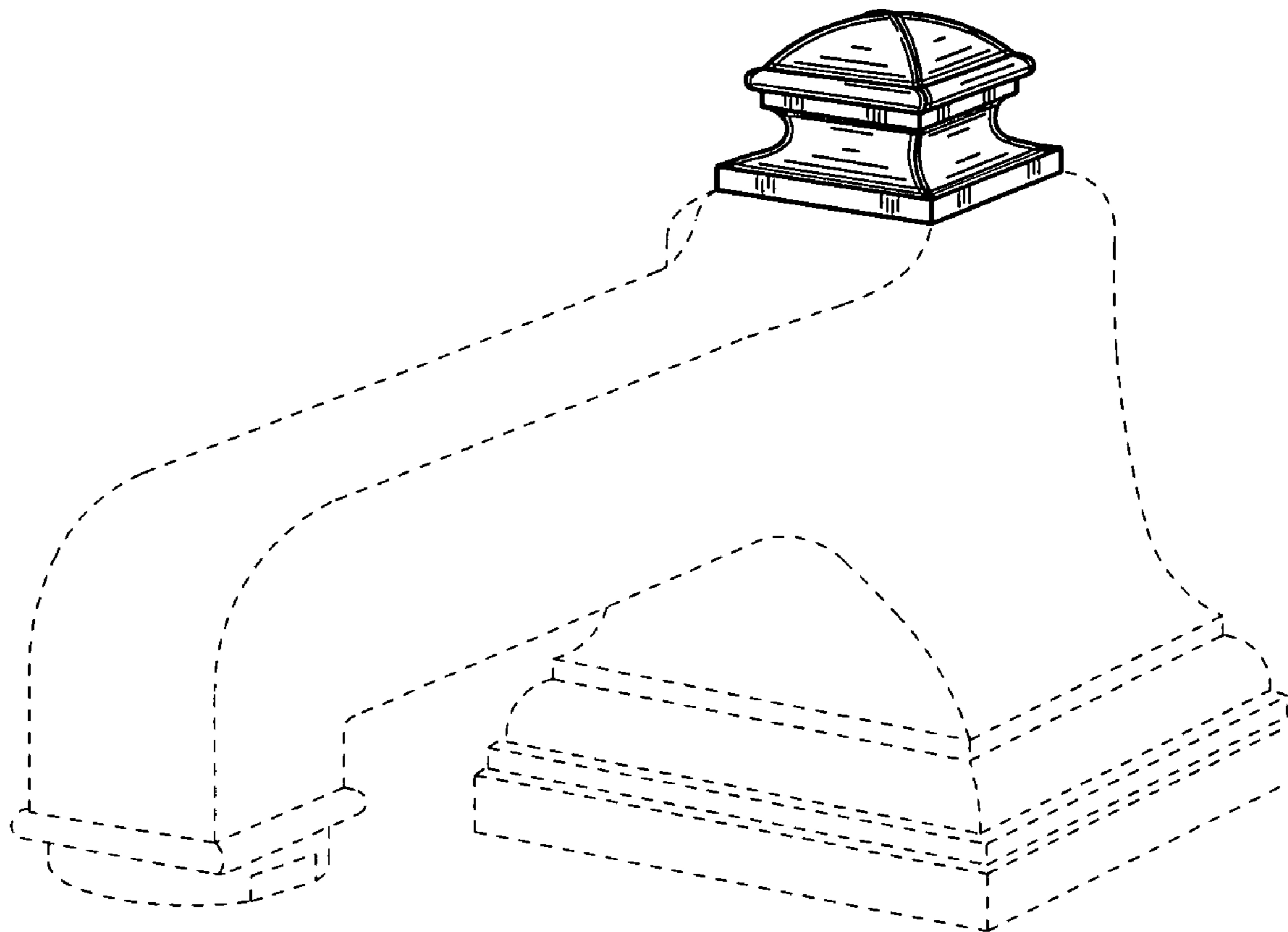
FIG. 2 is a front elevational view thereof;

FIG. 3 is a right side view, the left side view being identical; and,

FIG. 4 is a top view thereof.

The broken lines showing of environmental structure are for illustrative purposes only and form no part of the claimed design.

1 Claim, 4 Drawing Sheets



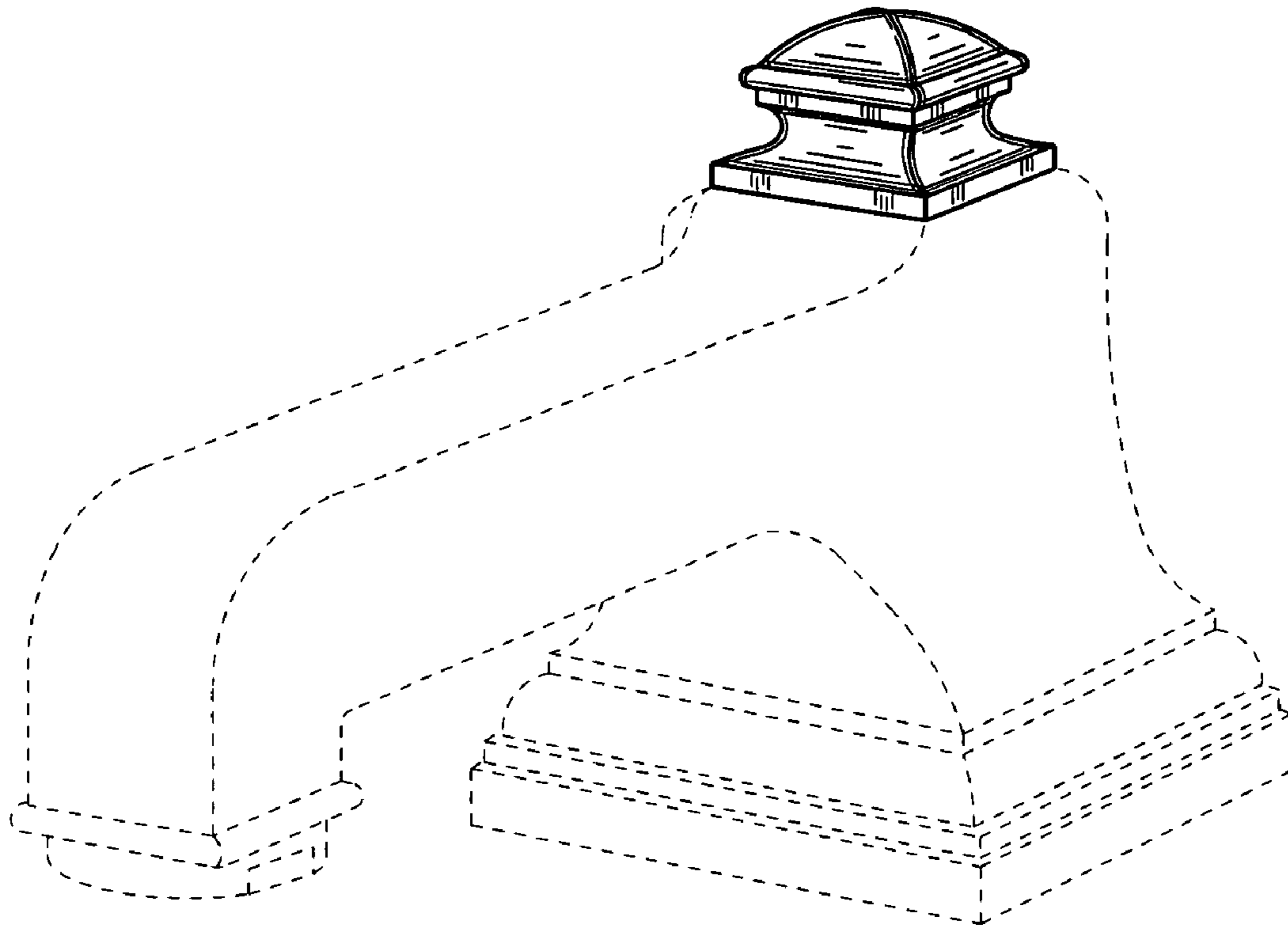


FIG. 1

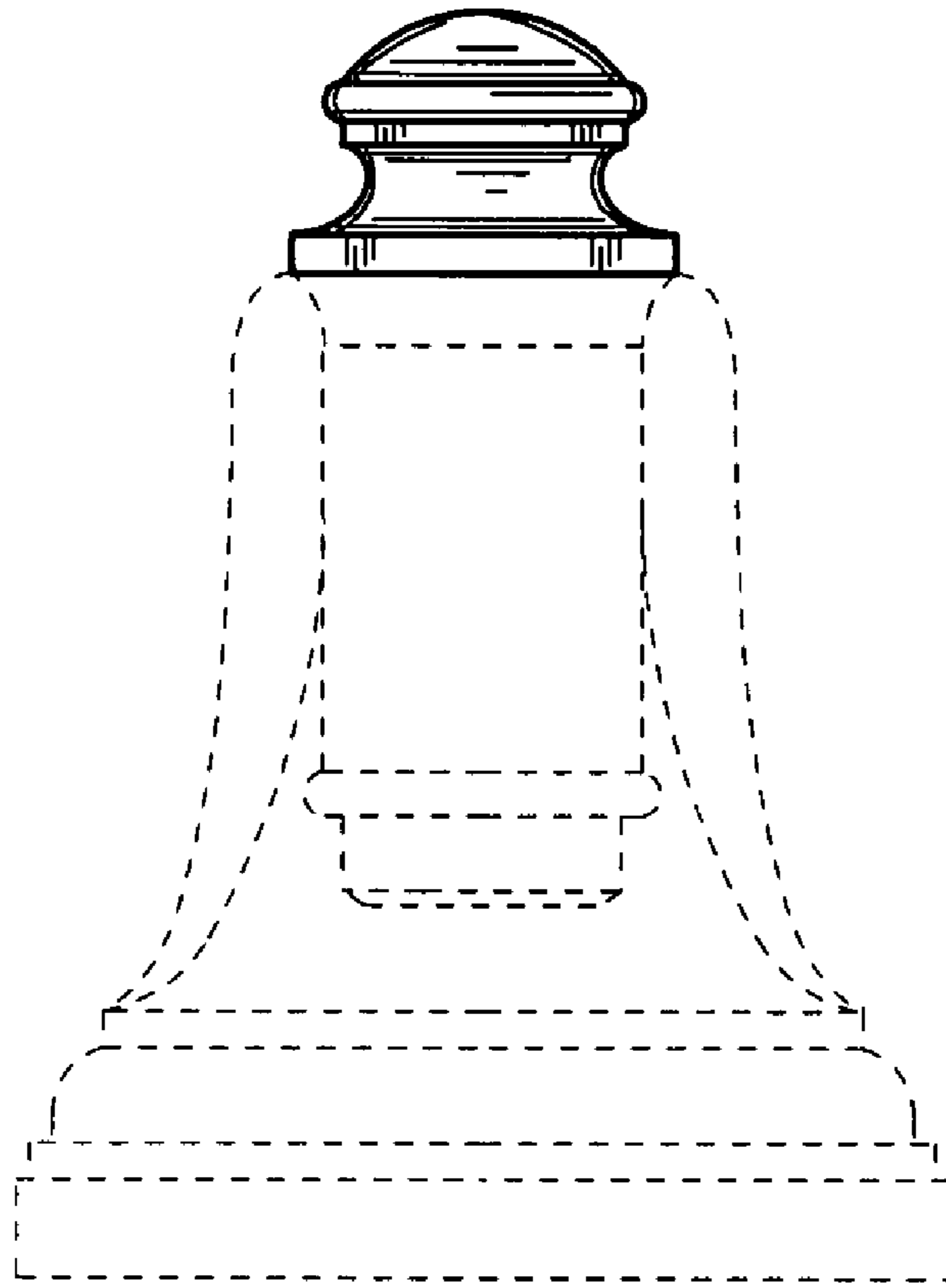


FIG. 2

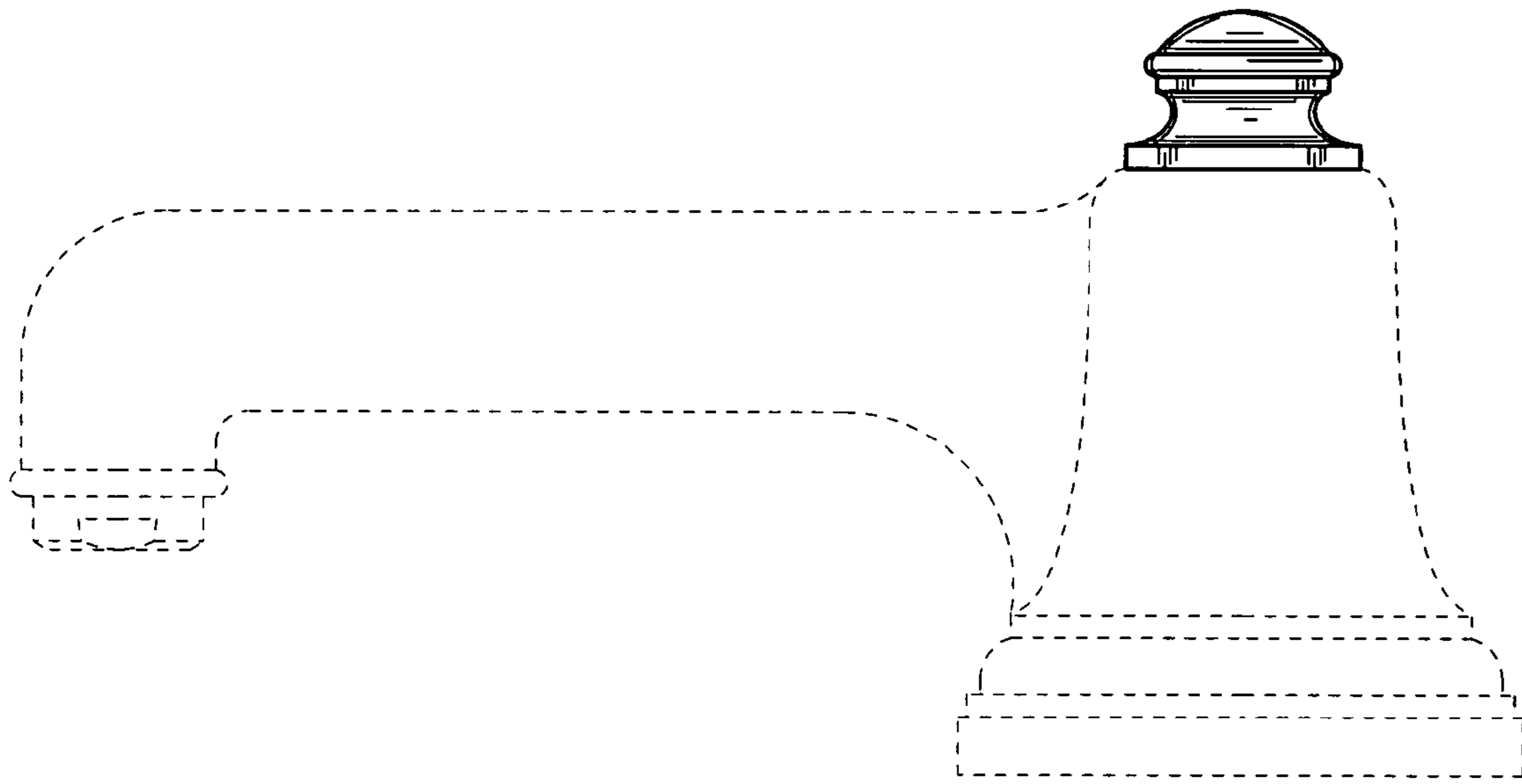


FIG. 3

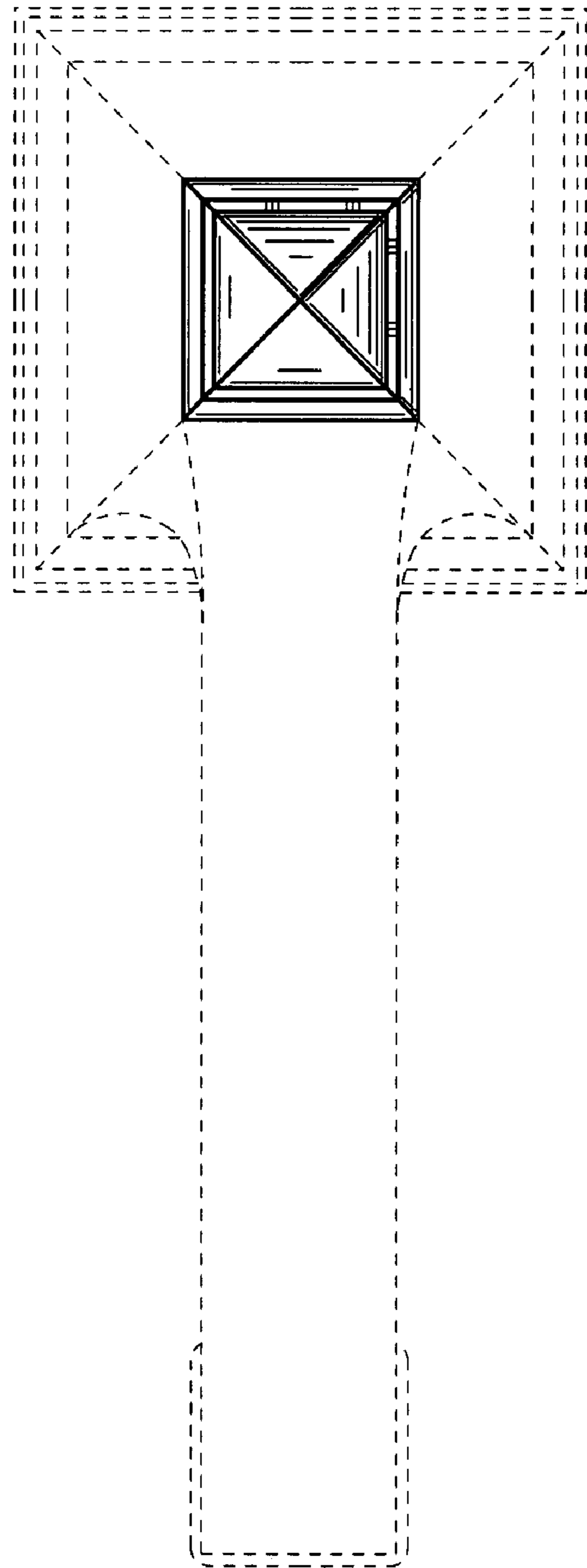


FIG. 4