



US00D582016S

(12) **United States Design Patent**
Schönherr et al.

(10) **Patent No.:** **US D582,016 S**
(45) **Date of Patent:** **** Dec. 2, 2008**

(54) **FAUCET**

D555,771 S * 11/2007 Noth et al. D23/238

(75) Inventors: **Tom Schönherr**, Stuttgart (DE); **Fabian Kollmann**, Stuttgart (DE)

(73) Assignee: **Hansgrohe AG** (DE)

(**) Term: **14 Years**

(21) Appl. No.: **29/280,801**

(22) Filed: **Jun. 7, 2007**

(30) **Foreign Application Priority Data**

Dec. 13, 2006 (EM) 000637186-0005

(51) **LOC (8) Cl.** **23-01**

(52) **U.S. Cl.** **D23/255**

(58) **Field of Classification Search** D23/255-257,
D23/238-243; 4/675-678; 137/801
See application file for complete search history.

(56) **References Cited**

U.S. PATENT DOCUMENTS

- D253,607 S * 12/1979 Haug D23/238
- D363,763 S * 10/1995 Starck D23/243
- D479,581 S * 9/2003 Haug et al. D23/238
- D525,342 S * 7/2006 Starck D23/238
- D532,084 S * 11/2006 Toyohara D23/238
- D555,770 S * 11/2007 Belisle D23/238

OTHER PUBLICATIONS

DMP Electronics Srl Mini Catalog 37/05 - Model ECO - rubinetto elettronico minimalista.

Grohe Deutschland Vertriebs GmbH - Model 36 161 Pulsoactron.

* cited by examiner

Primary Examiner—Robert A Delehanty

(74) *Attorney, Agent, or Firm*—Leon E. Redman; Lloyd D. Doigan

(57) **CLAIM**

The ornamental design for a faucet, as shown and described.

DESCRIPTION

FIG. 1 is a front perspective view of a faucet showing our design;

FIG. 2 is a front elevational view thereof;

FIG. 3 is a left side elevational view thereof;

FIG. 4 is a rear elevational view thereof;

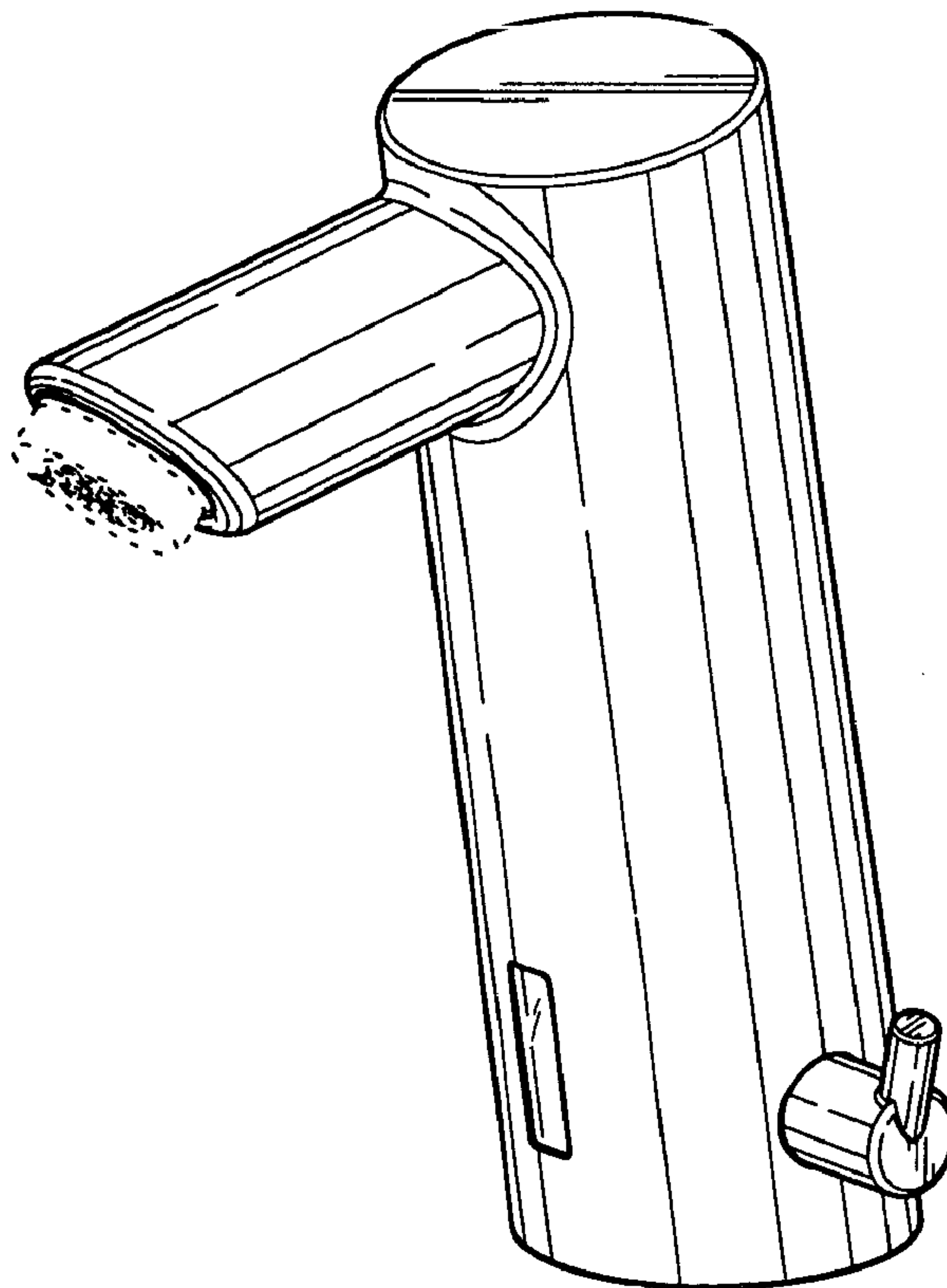
FIG. 5 is a right side elevational view thereof;

FIG. 6 is a bottom plan view thereof; and,

FIG. 7 is a top plan view thereof.

The broken lines in the Figures are for illustrative purposes only and form no part of the claimed design.

1 Claim, 4 Drawing Sheets



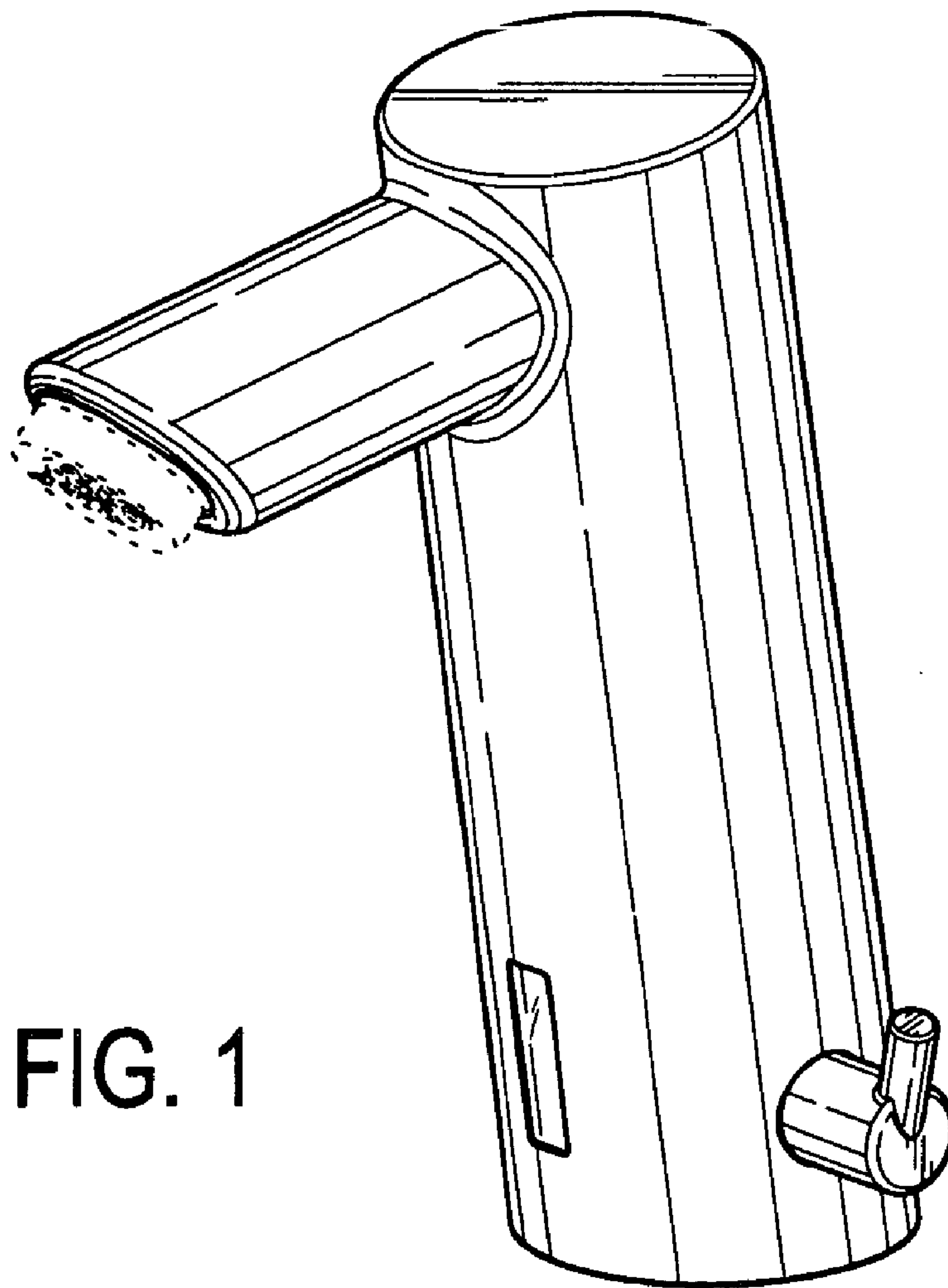


FIG. 1

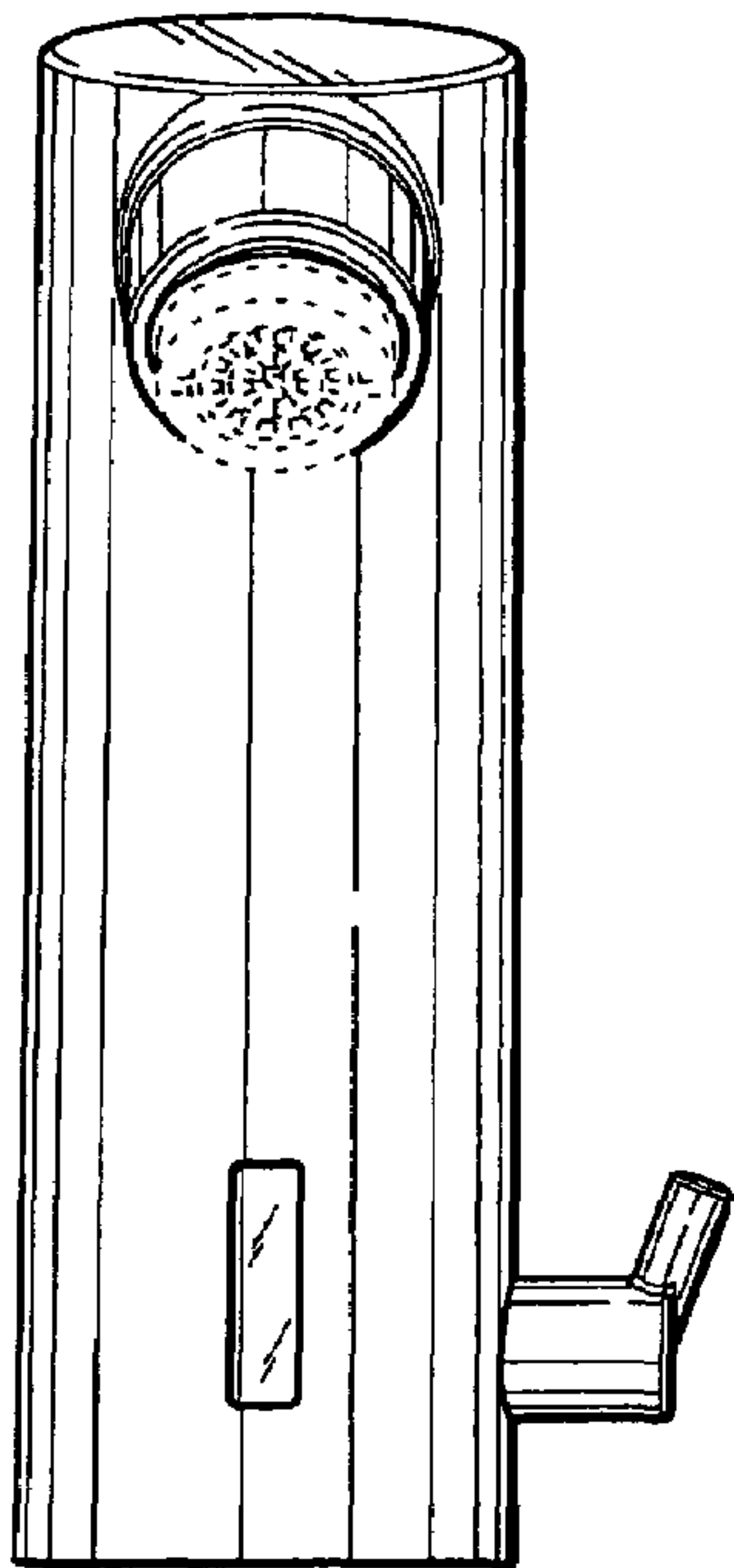


FIG. 2

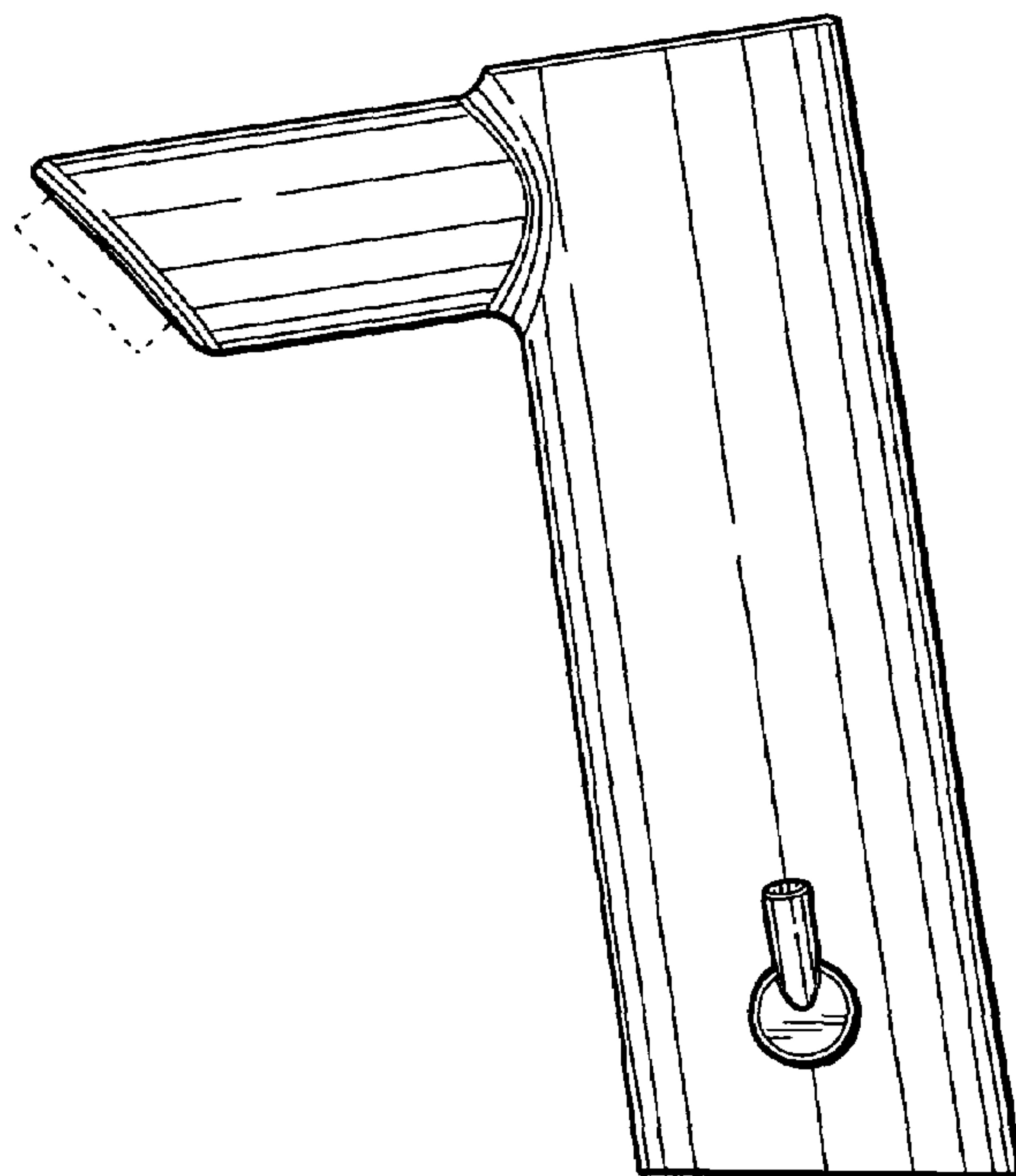


FIG. 3

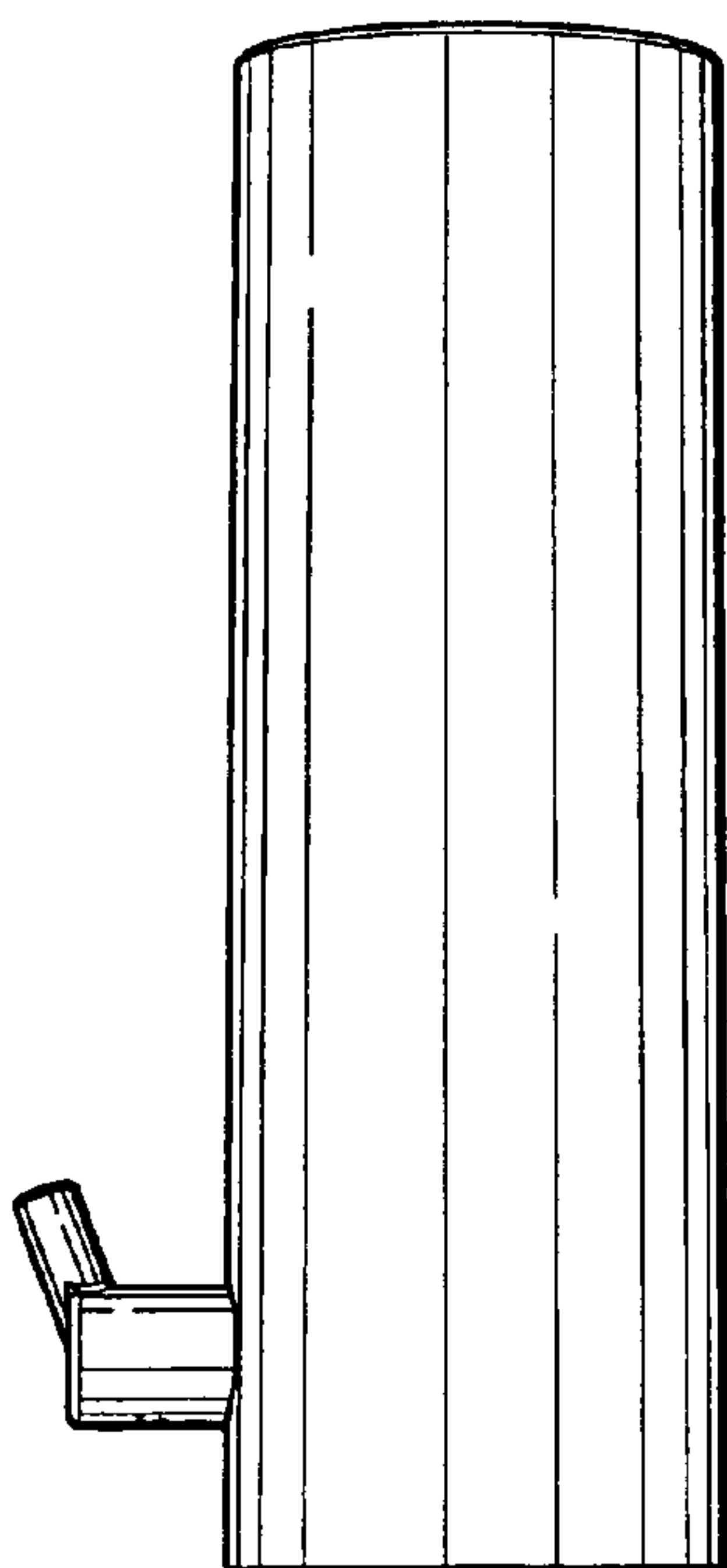


FIG. 4

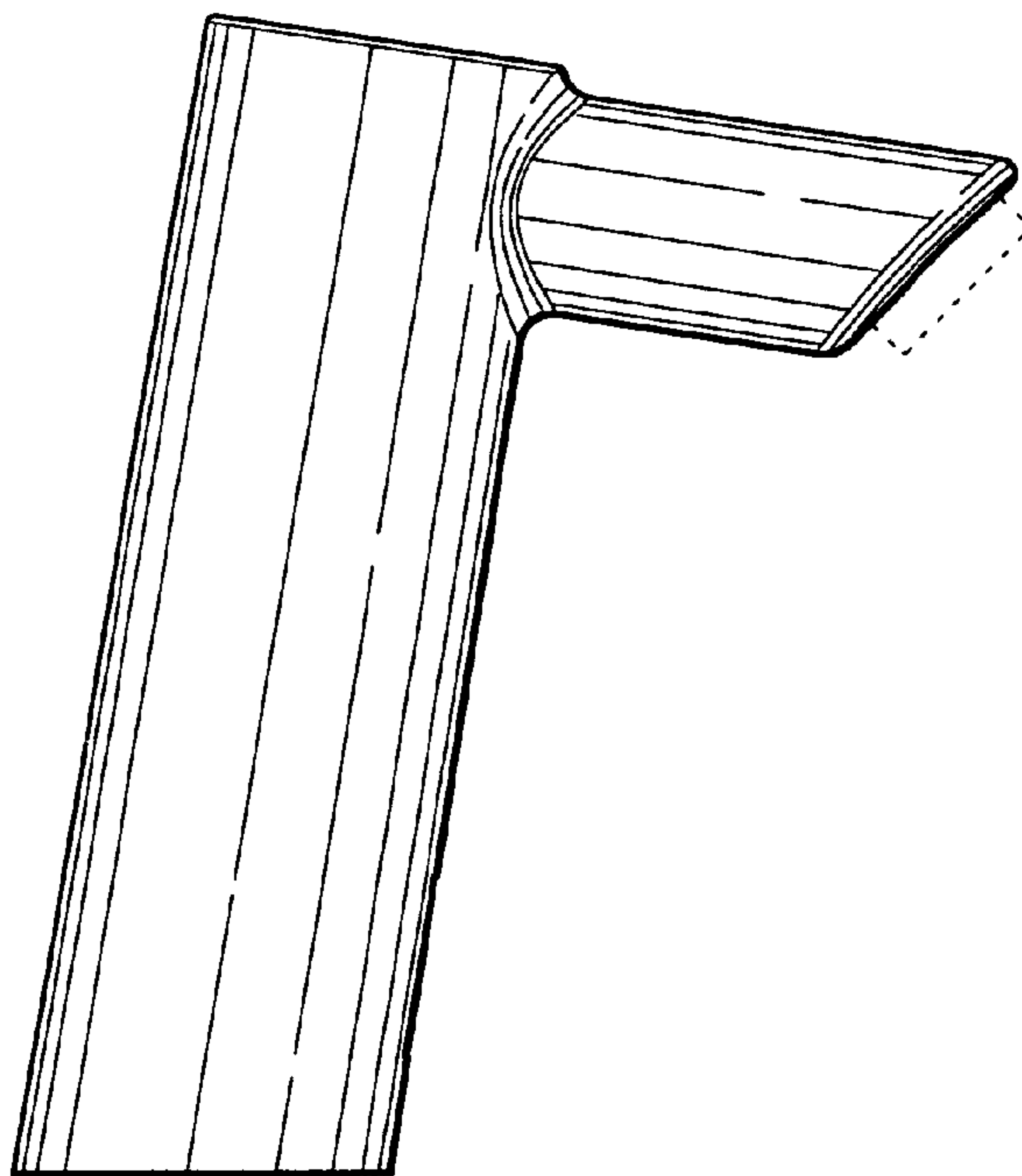


FIG. 5

FIG. 6

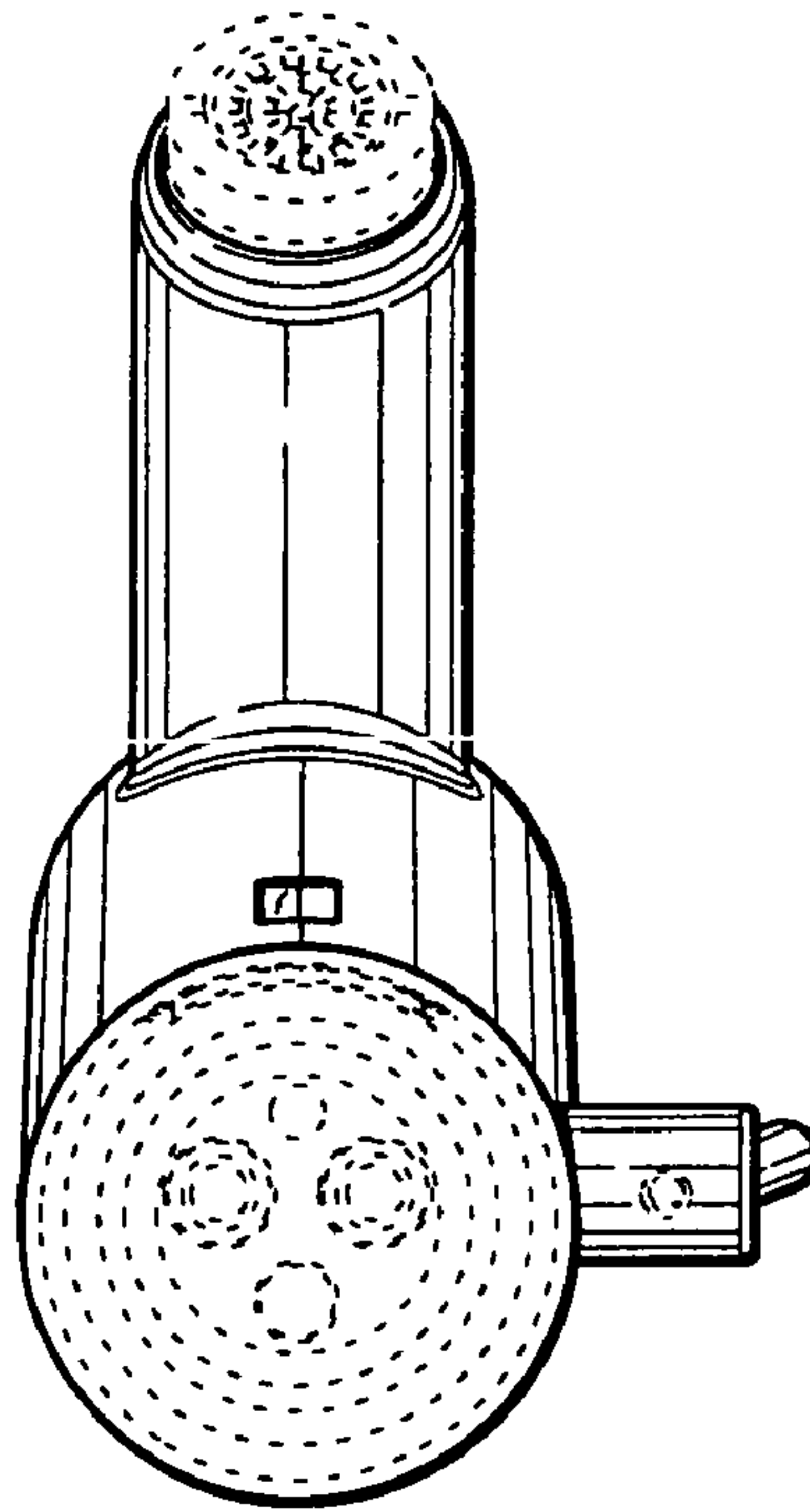


FIG. 7

