



US00D582015S

(12) **United States Design Patent**
Yuan

(10) **Patent No.:** **US D582,015 S**
(45) **Date of Patent:** **** Dec. 2, 2008**

(54) **PART OF A FAUCET**

(76) Inventor: **Ai Hui Yuan**, 2431 NW. Irving #24,
Portland, OR (US) 97210

(**) Term: **14 Years**

(21) Appl. No.: **29/289,274**

(22) Filed: **Jul. 13, 2007**

(51) **LOC (8) Cl.** **23-01**

(52) **U.S. Cl.** **D23/254**

(58) **Field of Classification Search** D23/250,
D23/249, 252, 254, 238, 242; D8/300, 307,
D8/308; 4/675-677; 16/110.1

See application file for complete search history.

(56) **References Cited**

U.S. PATENT DOCUMENTS

D433,735 S	*	11/2000	Lord	D23/252
D444,544 S	*	7/2001	Lord	D23/252
D490,502 S	*	5/2004	Ouyoung	D23/252
D505,186 S	*	5/2005	Ouyoung	D23/250

D515,182 S	*	2/2006	Ouyoung	D23/252
D515,669 S	*	2/2006	Ying-Hui et al.	D23/241
D569,952 S	*	5/2008	Yuan	D23/250
D570,962 S	*	6/2008	Dolan	D23/250

* cited by examiner

Primary Examiner—Robin V Webster

(57) **CLAIM**

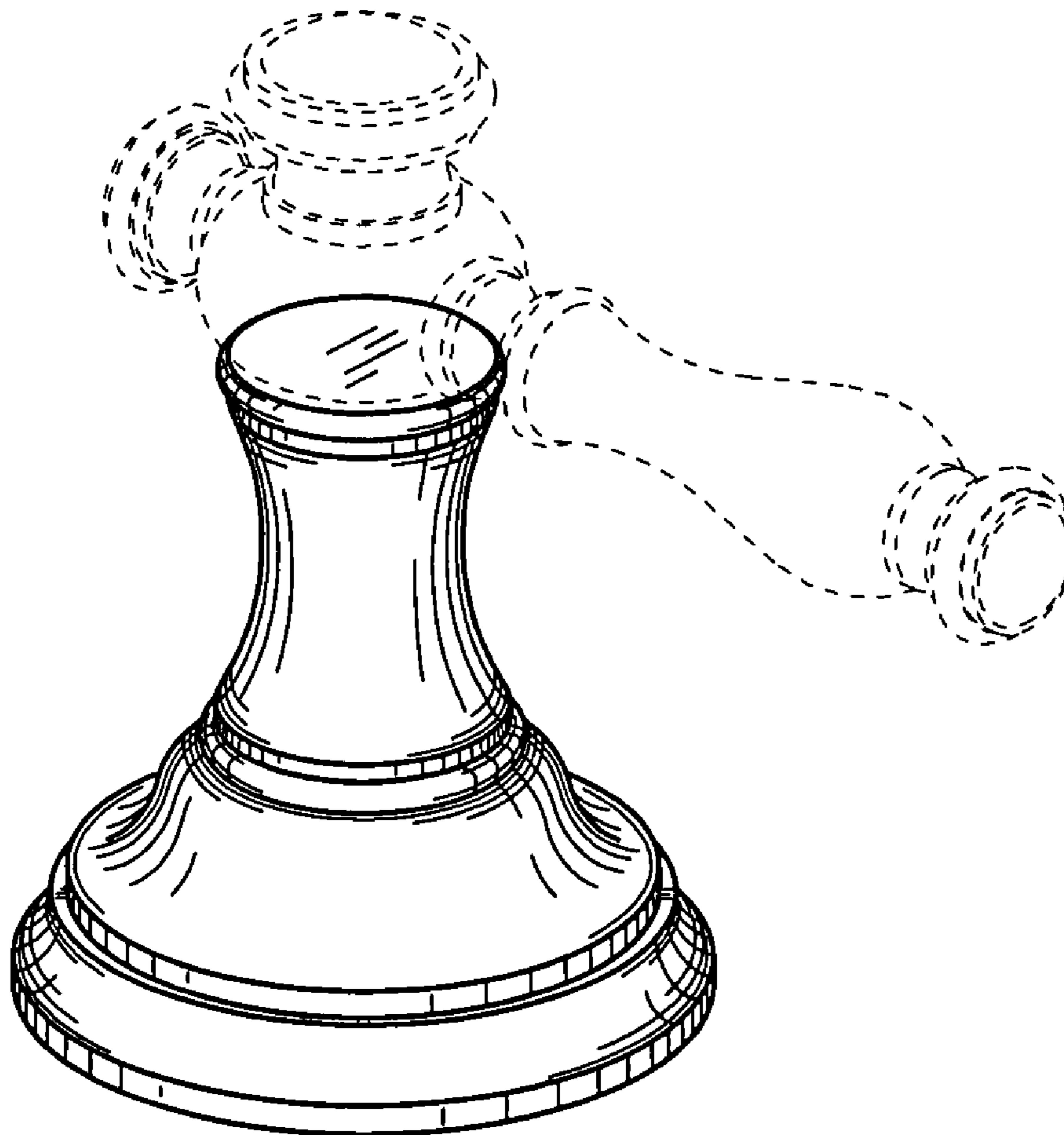
The ornamental design for a part of a faucet, as shown and described.

DESCRIPTION

FIG. 1 is a perspective view thereof;
FIG. 2 is a front elevational view thereof;
FIG. 3 is a right side view, all sides being identical; and,
FIG. 4 is a top plan view.

The broken line showing of environmental structure is for illustrative purposes only and forms no part of the claimed design.

1 Claim, 4 Drawing Sheets



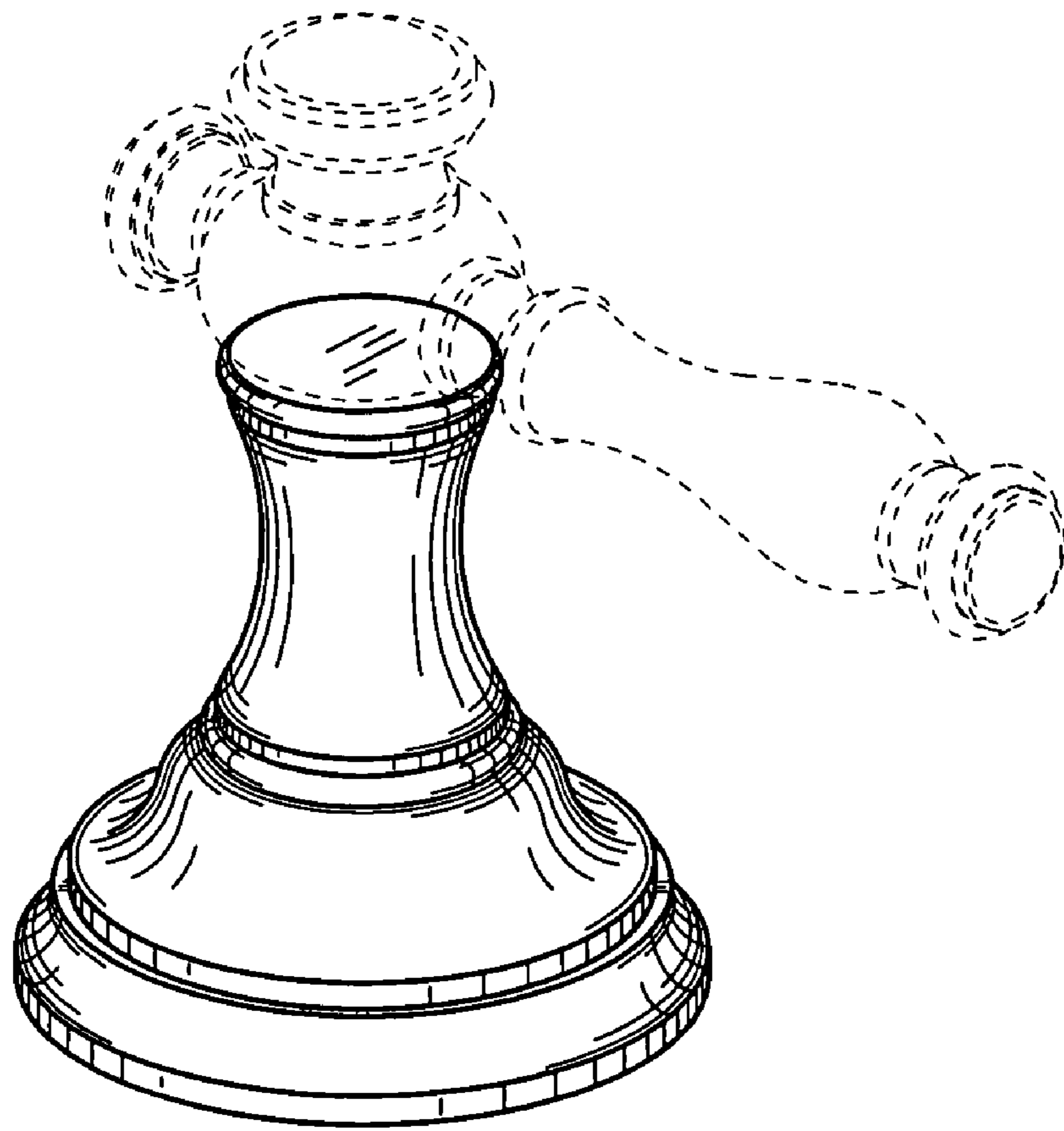


FIG. 1

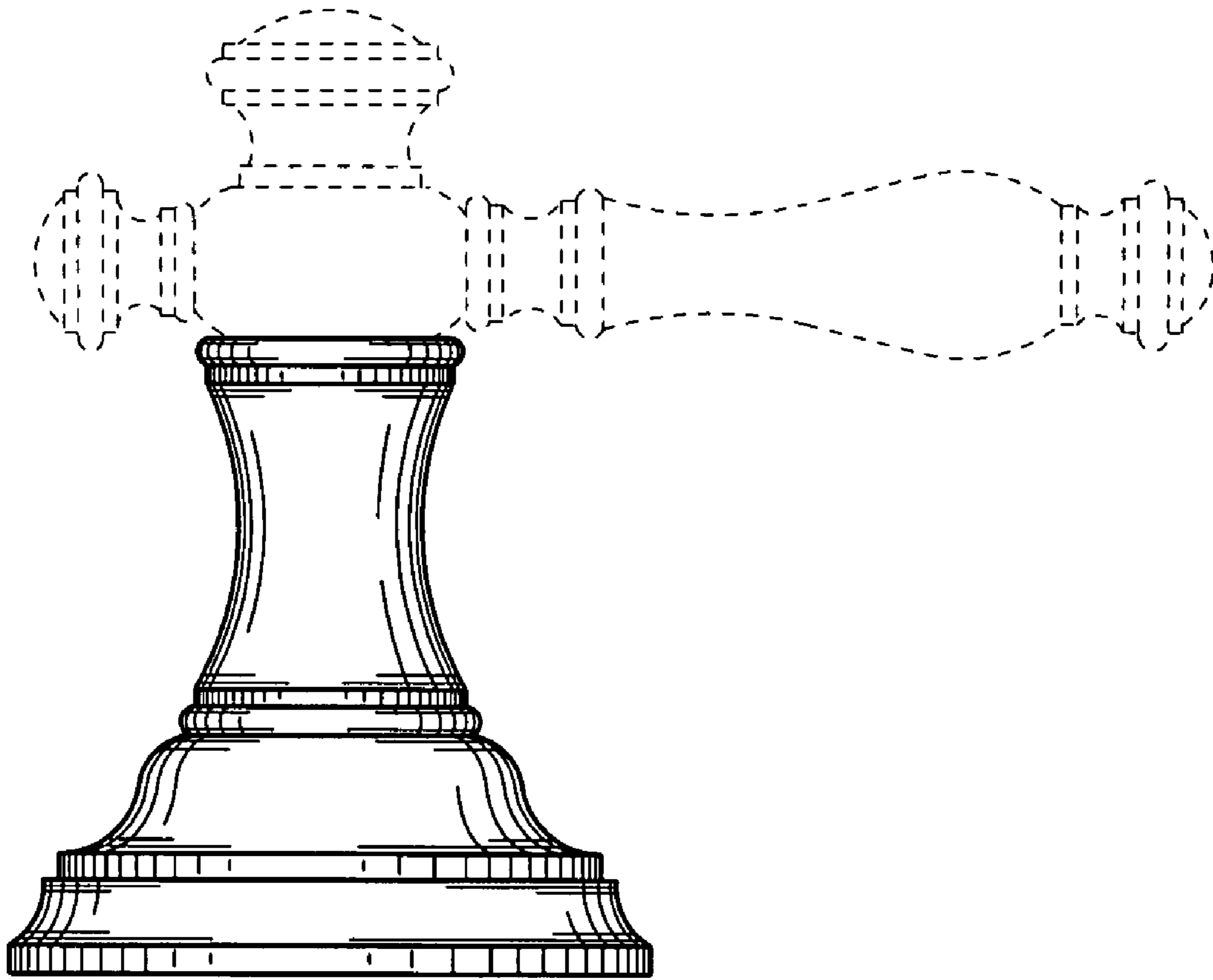


FIG. 2

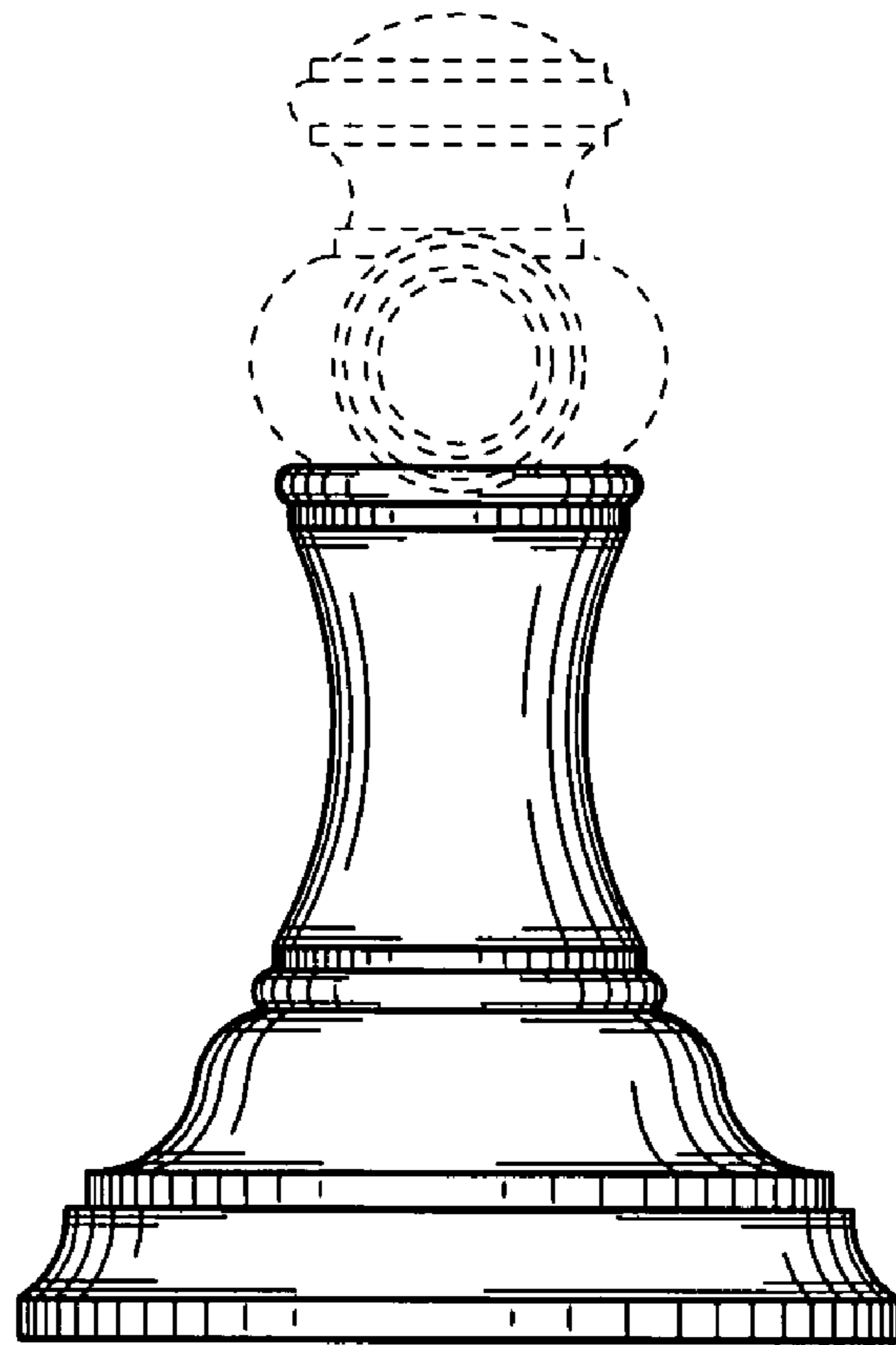


FIG. 3

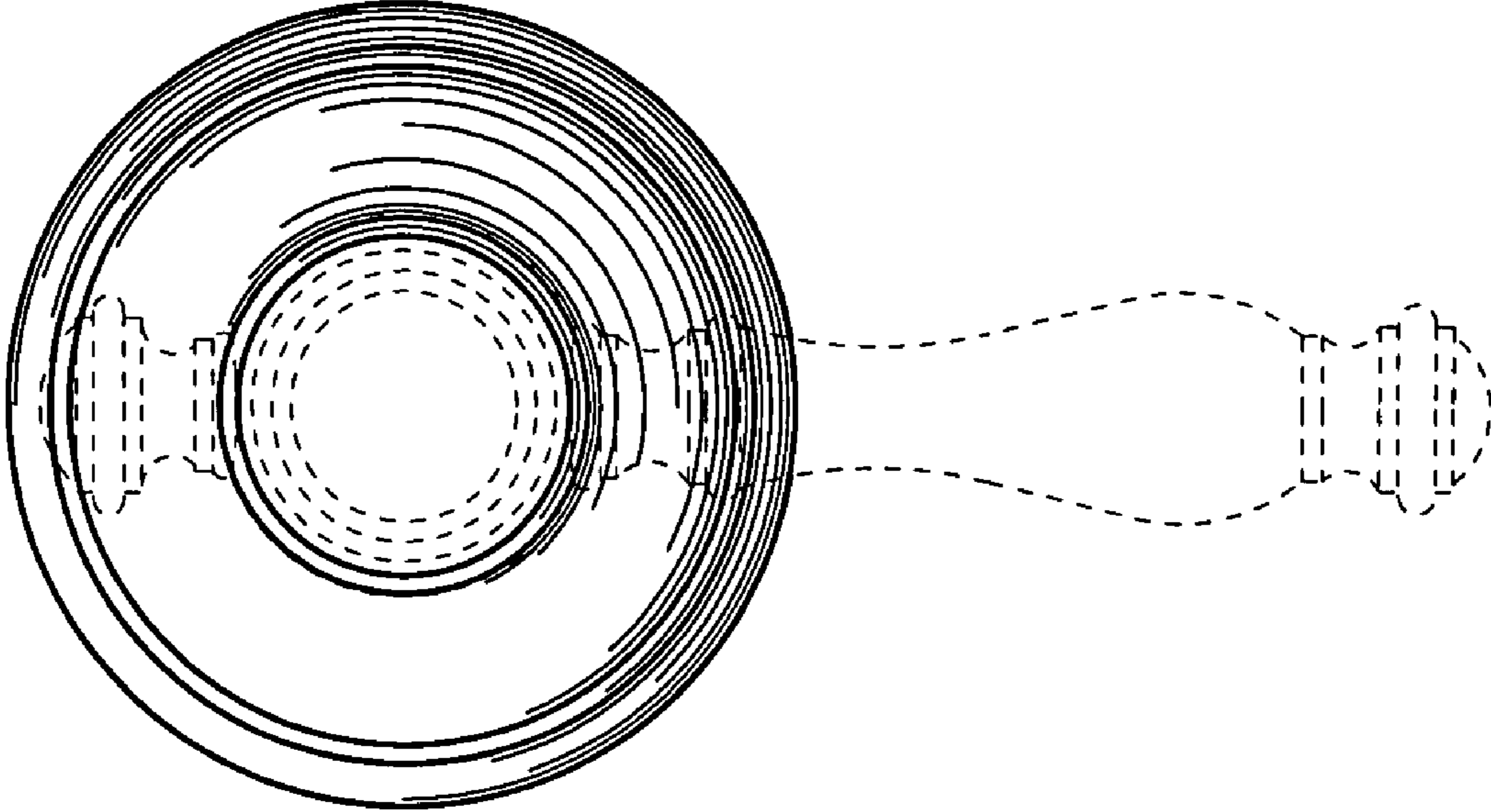


FIG. 4