



US00D582013S

(12) **United States Design Patent**
Yuan

(10) **Patent No.:** **US D582,013 S**

(45) **Date of Patent:** **** Dec. 2, 2008**

(54) **FAUCET HANDLE**

(76) Inventor: **Ai Hui Yuan**, 2431 NW. Irving #24,
Portland, OR (US) 97210

(**) Term: **14 Years**

(21) Appl. No.: **29/289,697**

(22) Filed: **Jul. 26, 2007**

(51) **LOC (8) Cl.** **23-01**

(52) **U.S. Cl.** **D23/250**

(58) **Field of Classification Search** D23/250,
D23/249, 252, 254, 238, 242; D8/300, 307,
D8/308; 4/675-677; 16/110.1

See application file for complete search history.

(56) **References Cited**

U.S. PATENT DOCUMENTS

D323,021 S *	1/1992	Kohler et al.	D23/252
D347,268 S *	5/1994	Paul	D23/252
D351,455 S *	10/1994	Paul	D23/252
D529,141 S *	9/2006	Green	D23/252

D531,483 S *	11/2006	Kosasih	D8/308
D560,464 S *	1/2008	Rexach	D8/308
D562,437 S *	2/2008	Jaeb	D23/252

* cited by examiner

Primary Examiner—Robin V Webster

(57) **CLAIM**

The ornamental design for a faucet handle, as shown and described.

DESCRIPTION

FIG. 1 is a perspective view thereof;

FIG. 2 is a front elevational view thereof;

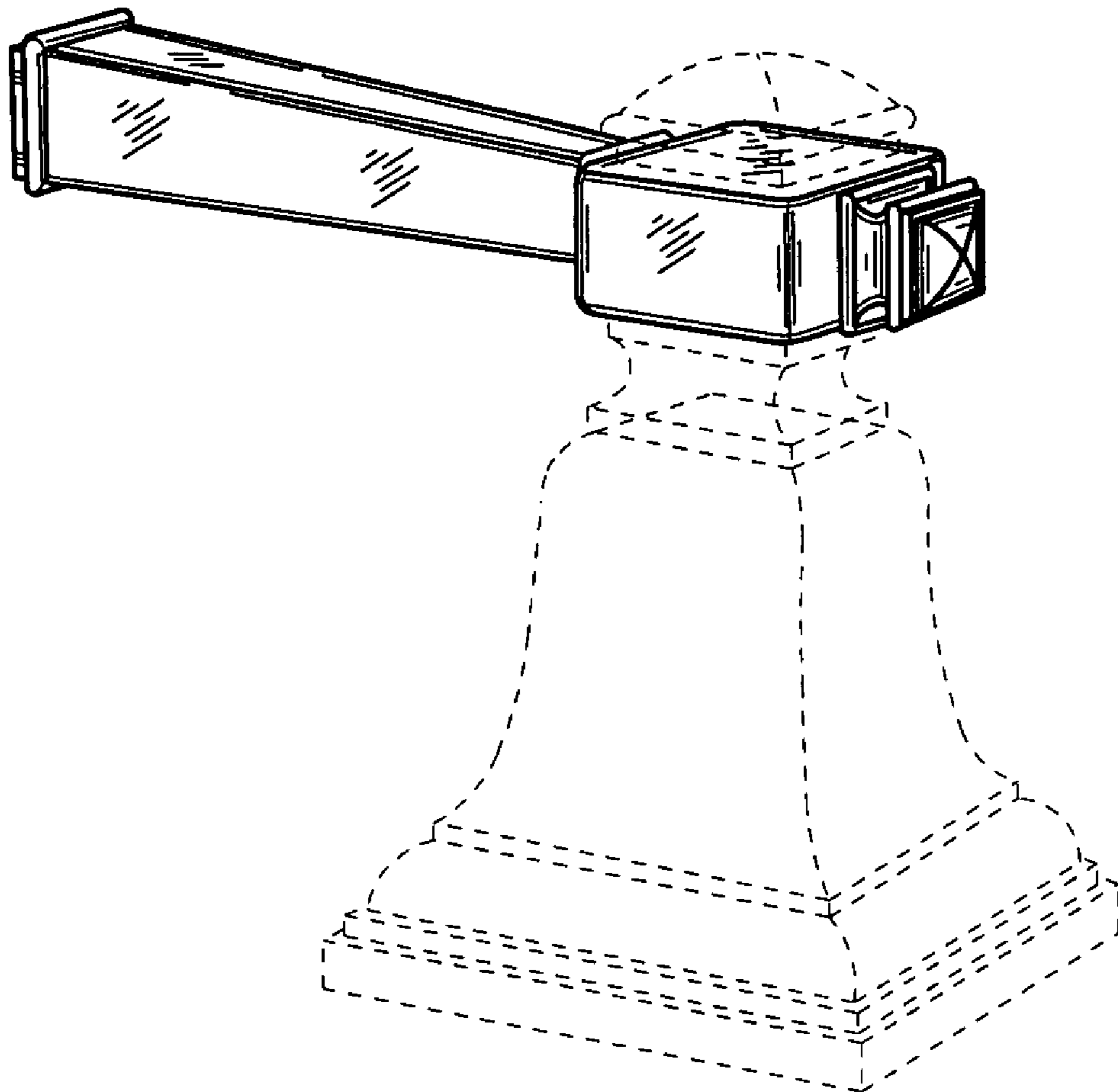
FIG. 3 is a right side view thereof;

FIG. 4 is a left side view; and,

FIG. 5 is a top view thereof.

The broken lines showing of environmental structure are for illustrative purposes only and form no part of the claimed design.

1 Claim, 5 Drawing Sheets



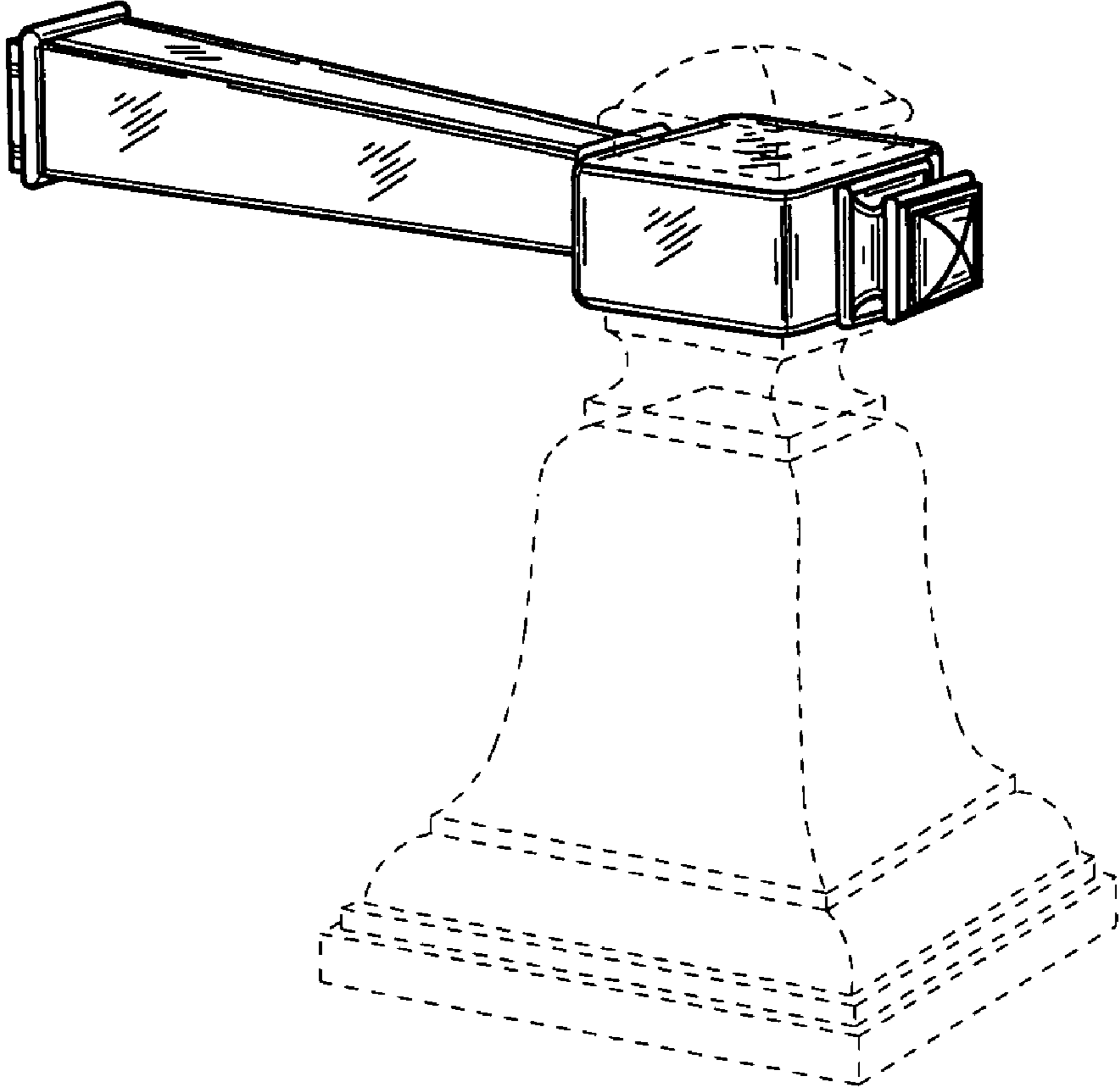


FIG. 1

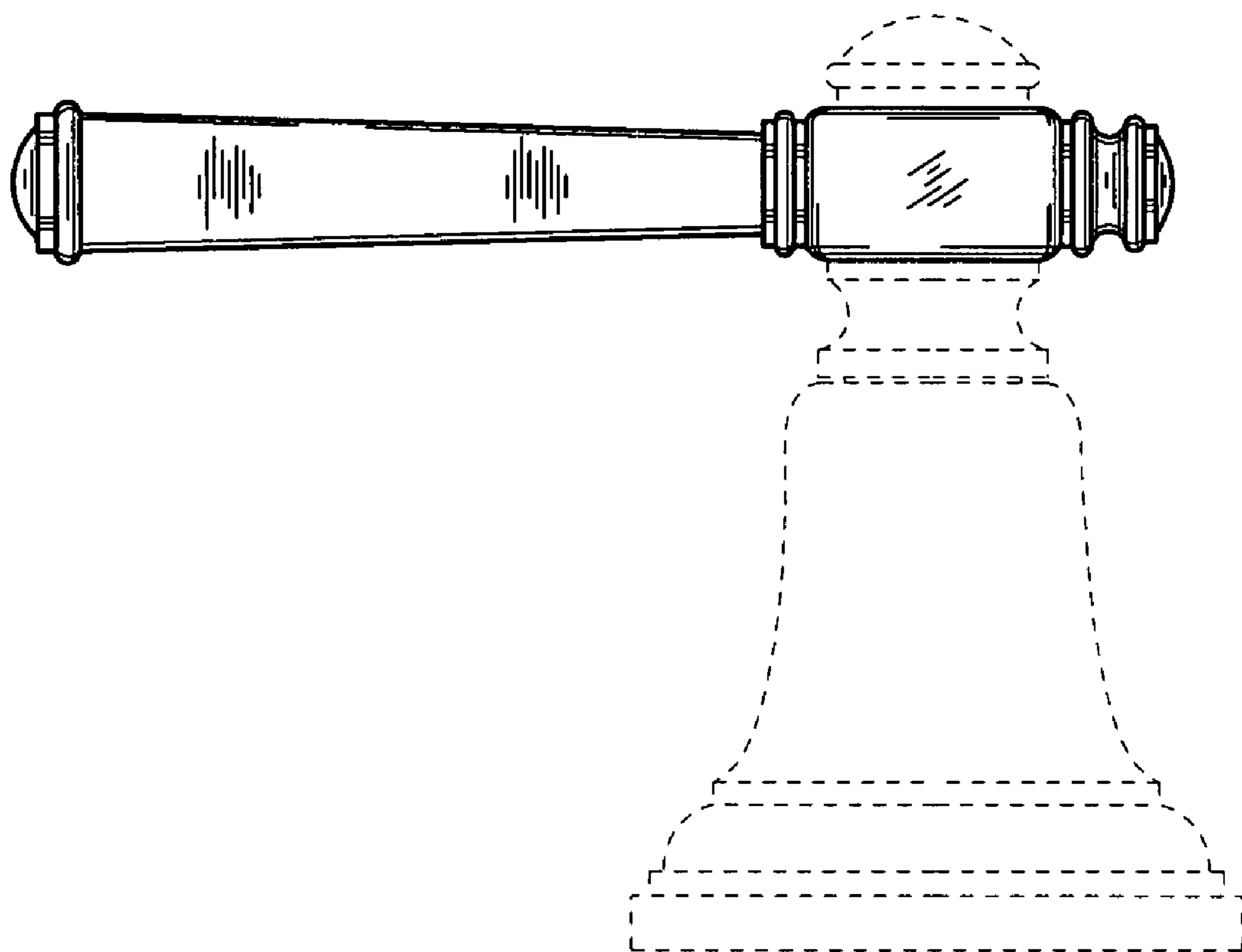


FIG. 2

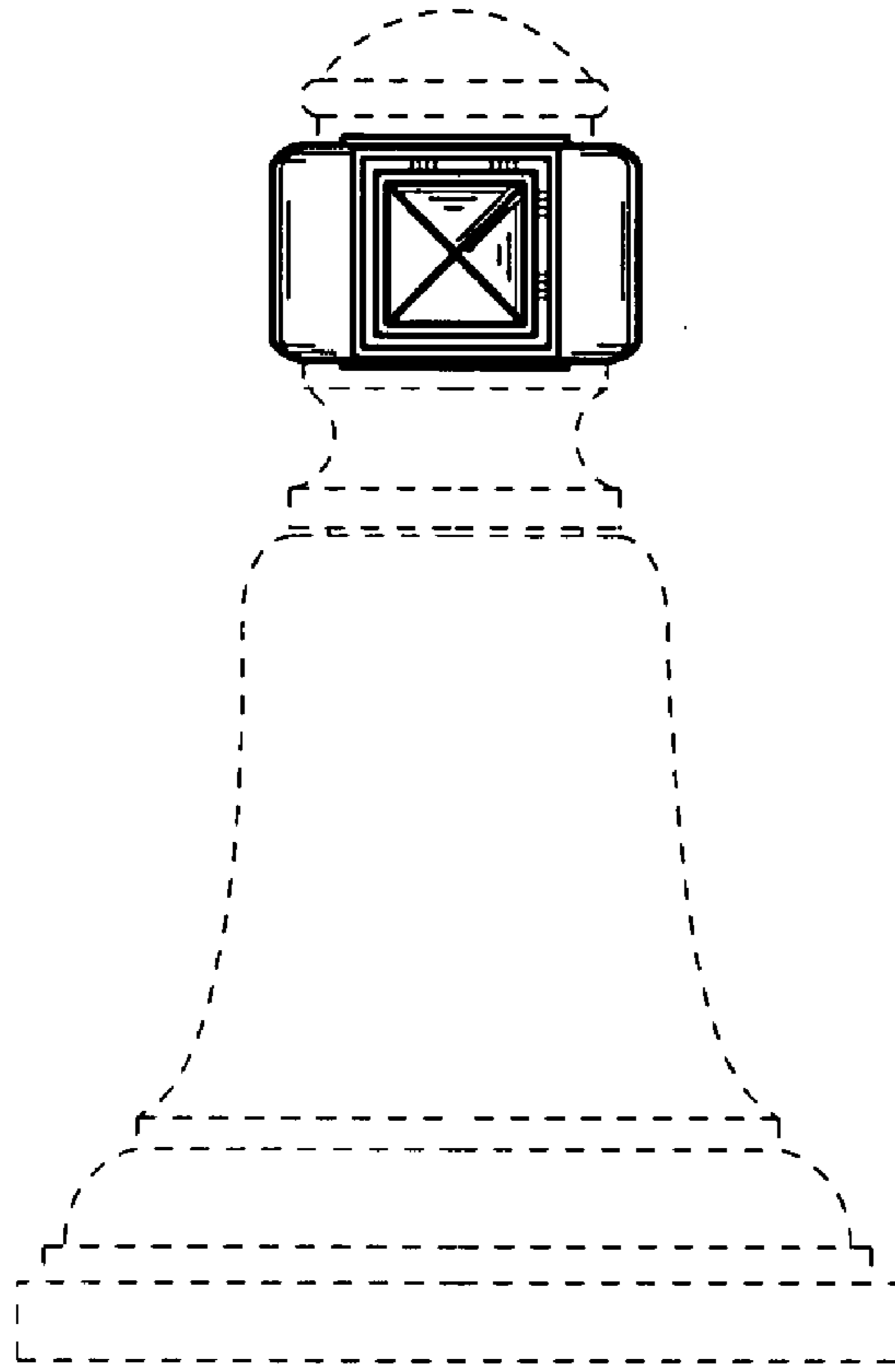


FIG. 3

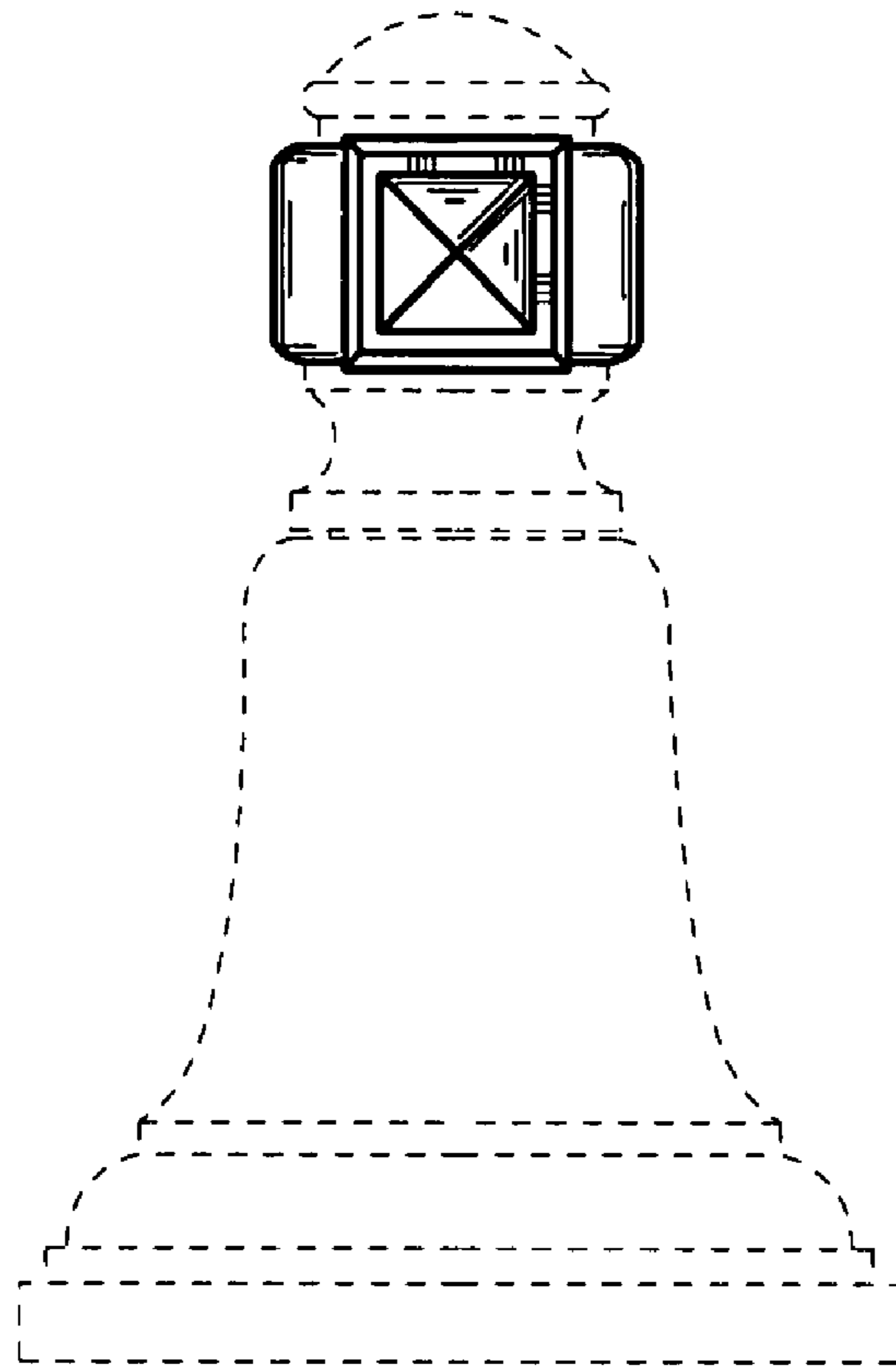


FIG. 4

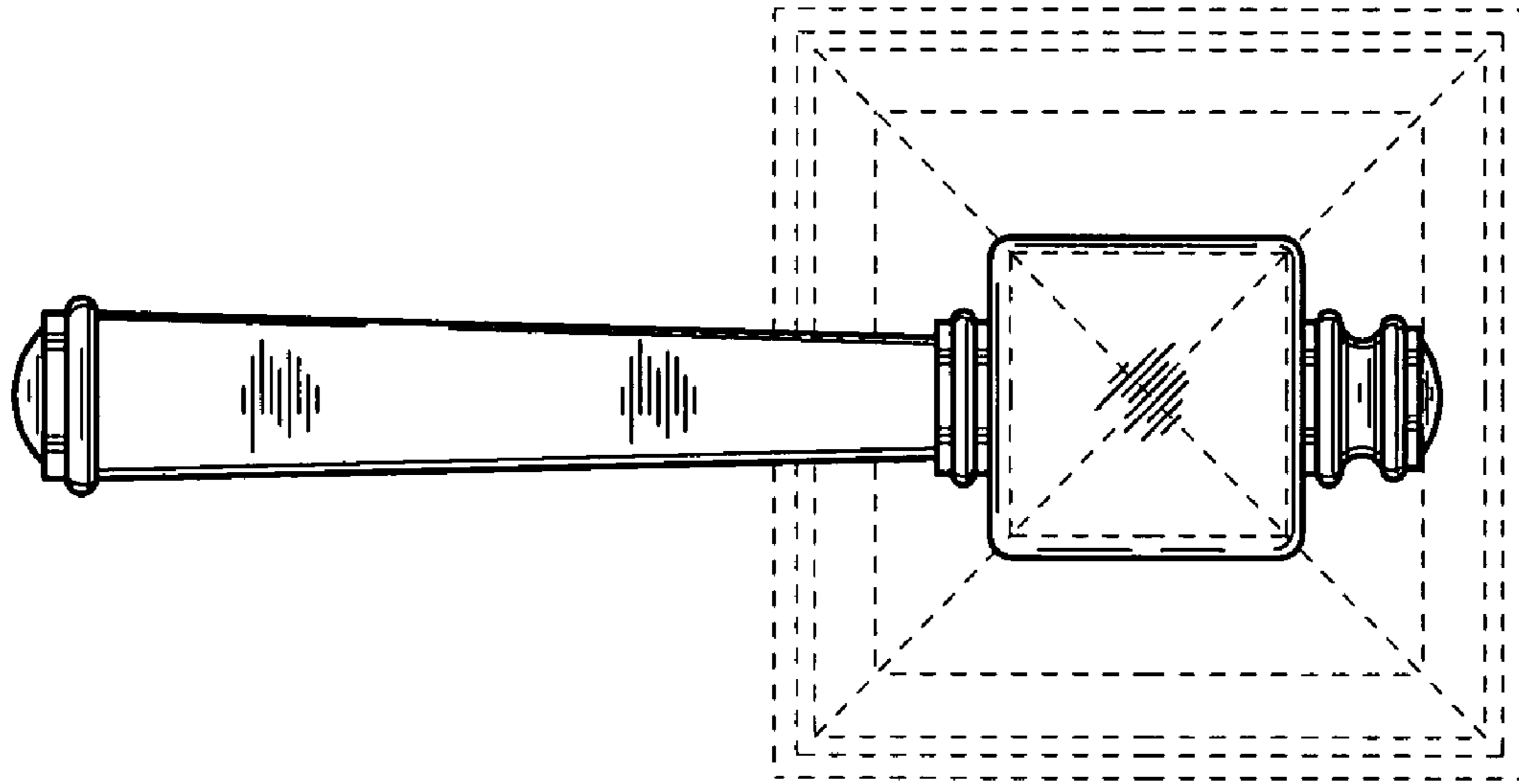


FIG. 5