



US00D582011S

(12) **United States Design Patent**
Yuan

(10) **Patent No.:** **US D582,011 S**
(45) **Date of Patent:** **** Dec. 2, 2008**

(54) **FAUCET HANDLE HUB**

D547,830 S * 7/2007 Veltz et al. D23/252

(76) Inventor: **Ai Hui Yuan**, 2431 NW. Irving #24,
Portland, OR (US) 97210

(**) Term: **14 Years**

(21) Appl. No.: **29/270,951**

(22) Filed: **Jan. 5, 2007**

(51) **LOC (8) Cl.** **23-01**

(52) **U.S. Cl.** **D23/250**

(58) **Field of Classification Search** D23/250,
D23/252-254, 238-243, 244-249; 4/675-678;
D8/300, 307-308; D6/550; 137/801; 16/110.1,
16/441

See application file for complete search history.

(56) **References Cited**

U.S. PATENT DOCUMENTS

D303,490 S *	9/1989	Mosch	D8/321
D332,824 S	1/1993	Robbins		
D365,384 S	12/1995	Robbins		
D371,826 S	7/1996	Robbins		
D407,466 S *	3/1999	Hundley et al.	D23/252
D412,025 S	7/1999	Mark		
D419,220 S *	1/2000	Warshawsky et al.	D23/252
D461,532 S	8/2002	Ouyoung		
D465,008 S	10/2002	Lord		
D472,607 S	4/2003	Warshawsky		
D483,093 S	12/2003	Bates		
D514,201 S	1/2006	Kulig		
D517,174 S *	3/2006	Singtoroj	D23/252

OTHER PUBLICATIONS

MVO, Model: 3200-01-PN, As on website: www.luxuryplumbingplus.com, Dec. 25, 2006.

Newport Brass, Model: 1030-01, As on website: www.faucetdepot.com, Oct. 17, 2006.

Kohler, Model: K161114 A, As on website: www.faucet.com, Jan. 3, 2007.

Pegasus, Model: 813-946, As on website: www.faucetdirect.com, Oct. 20, 2006.

Etoile, Model: ETL S62, As on website: www.waterworks.com, Oct. 15, 2006.

* cited by examiner

Primary Examiner—Robert A Delehanty

(57) **CLAIM**

The ornamental design for a faucet handle hub, as shown and described.

DESCRIPTION

FIG. 1 is a perspective view thereof;

FIG. 2 is a front elevational view thereof;

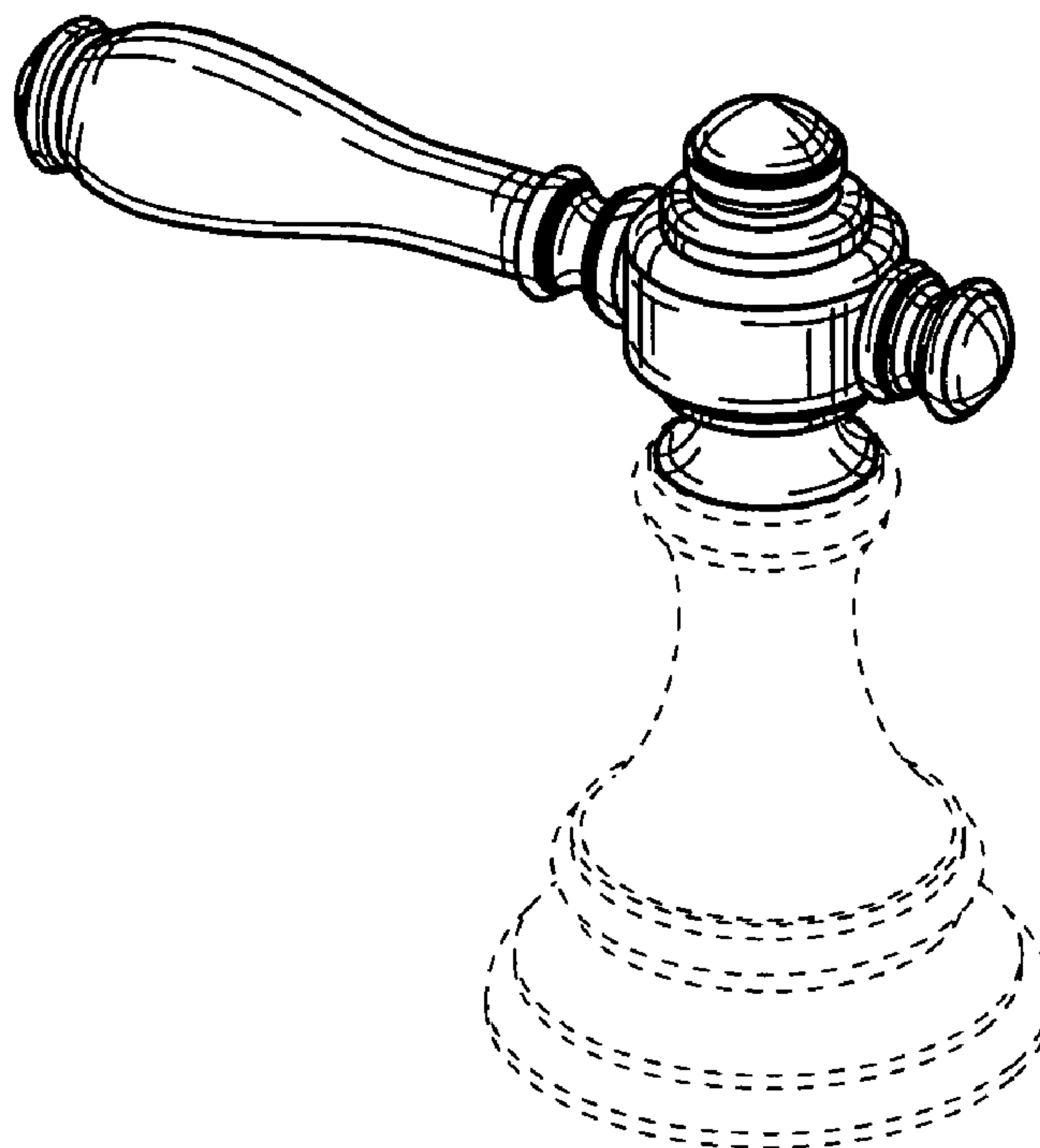
FIG. 3 is a right side view thereof;

FIG. 4 is a left side view thereof; and,

FIG. 5 is a top view.

The broken lines showing of environmental structure are for illustrative purposes only and form no part of the claimed design.

1 Claim, 5 Drawing Sheets



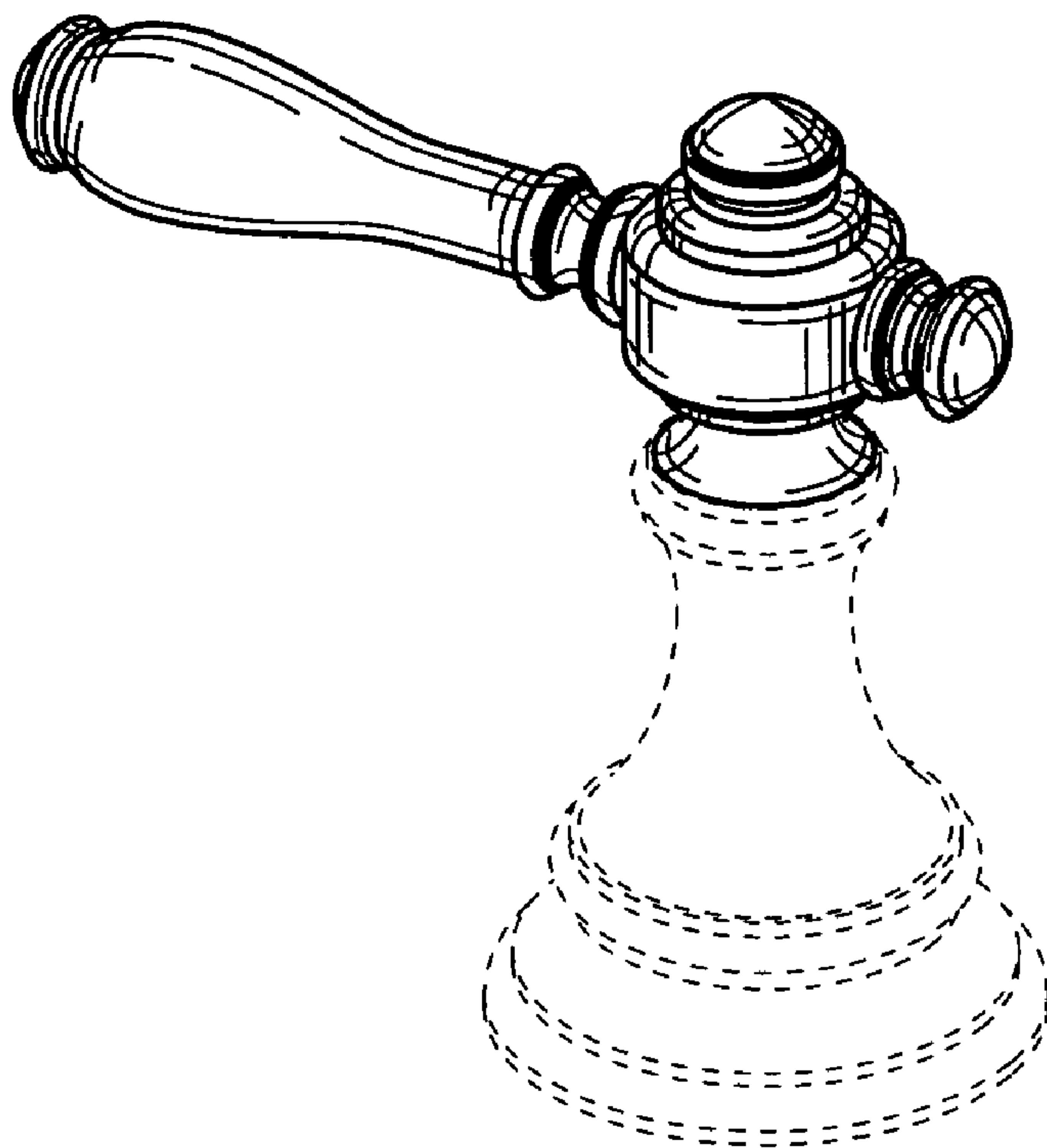


FIG. 1

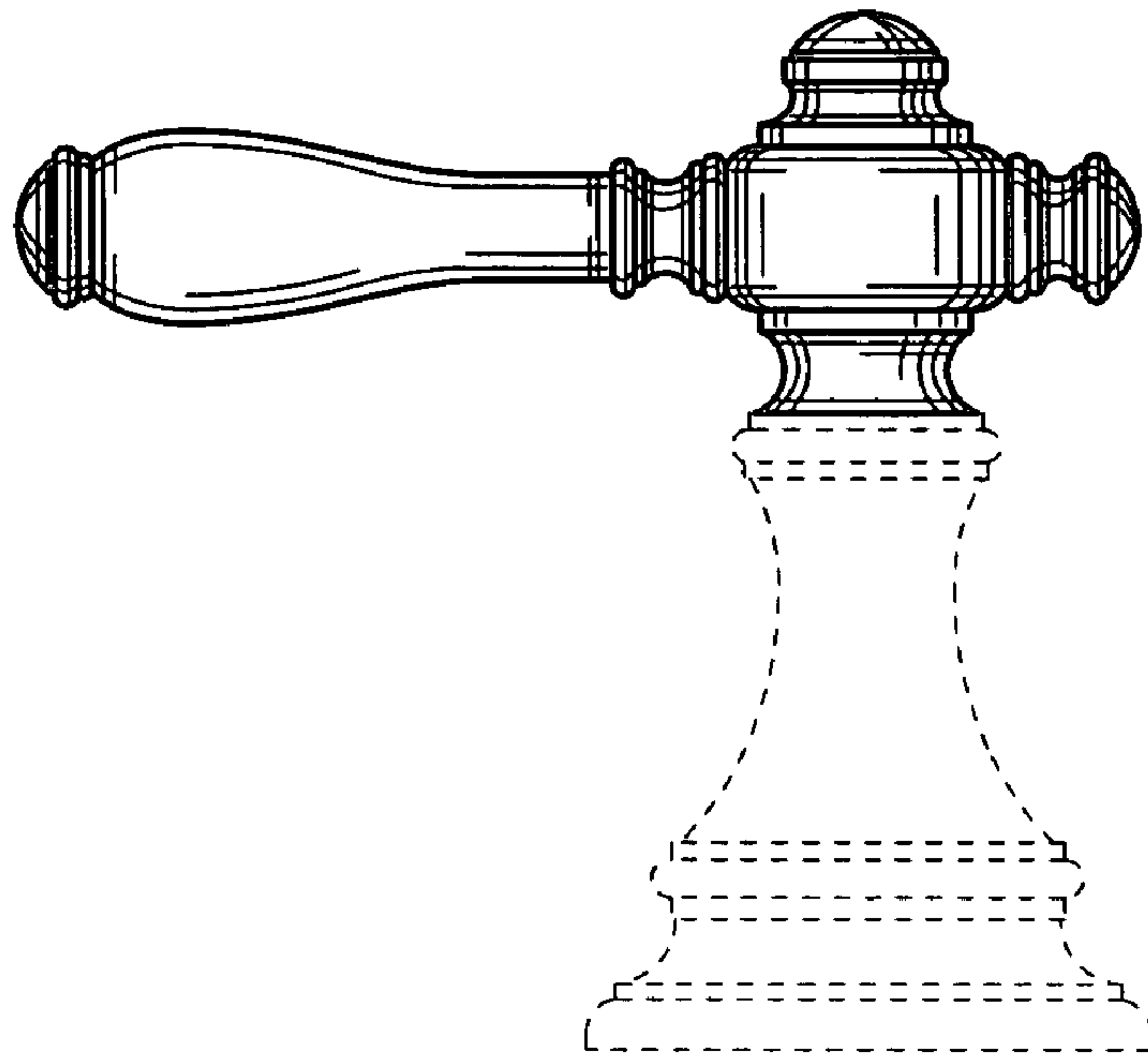


FIG. 2

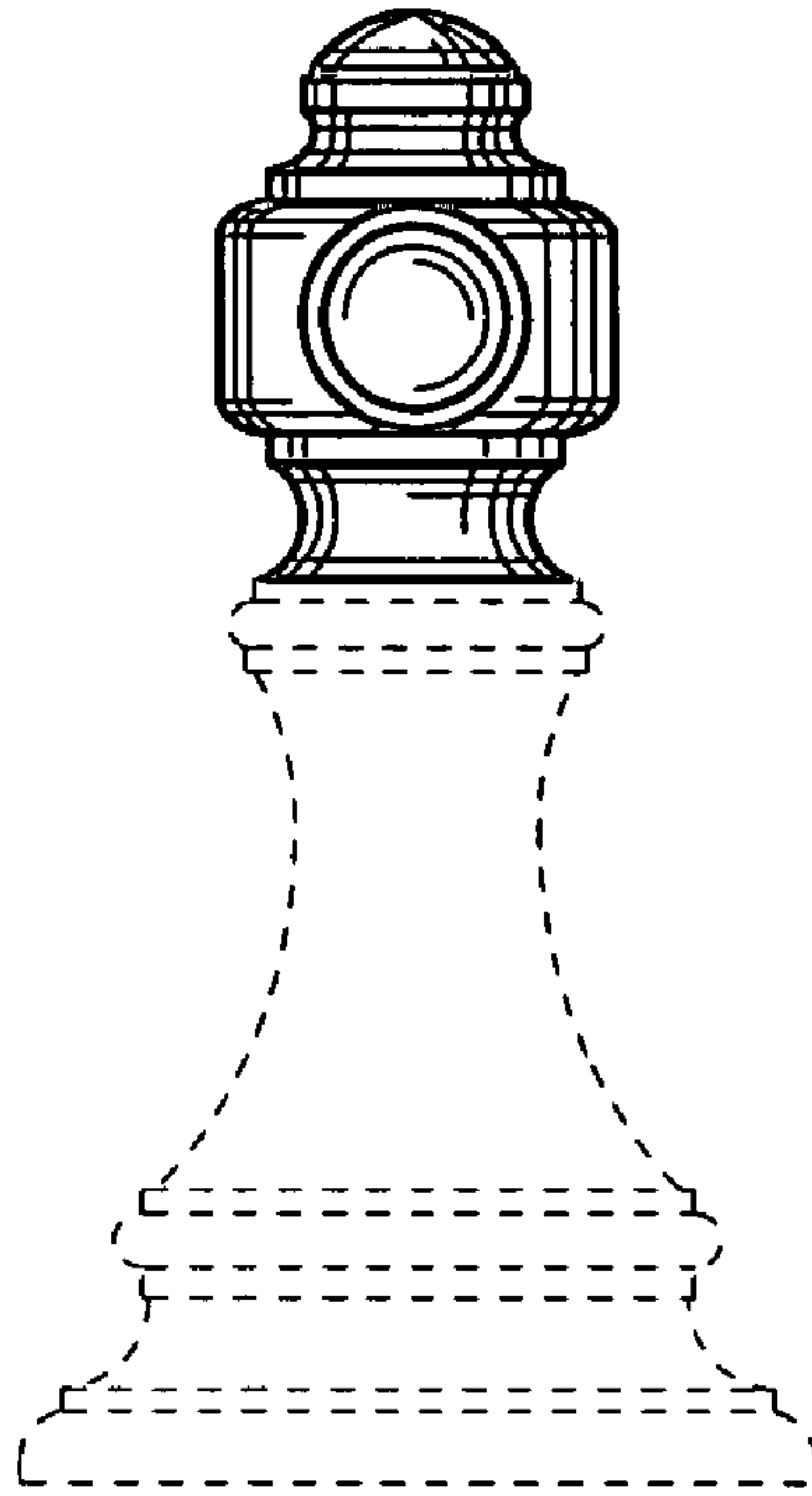


FIG. 3

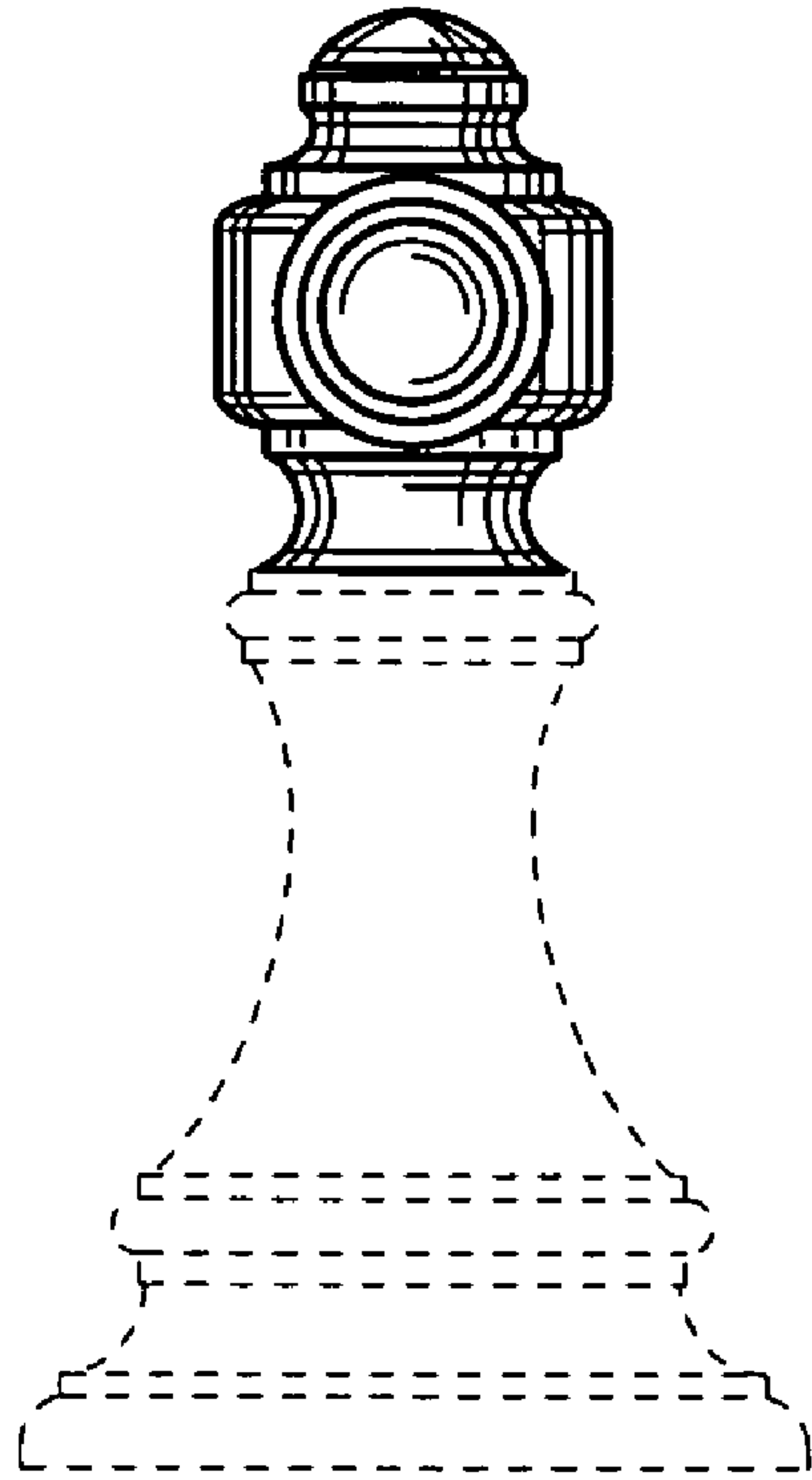


FIG. 4

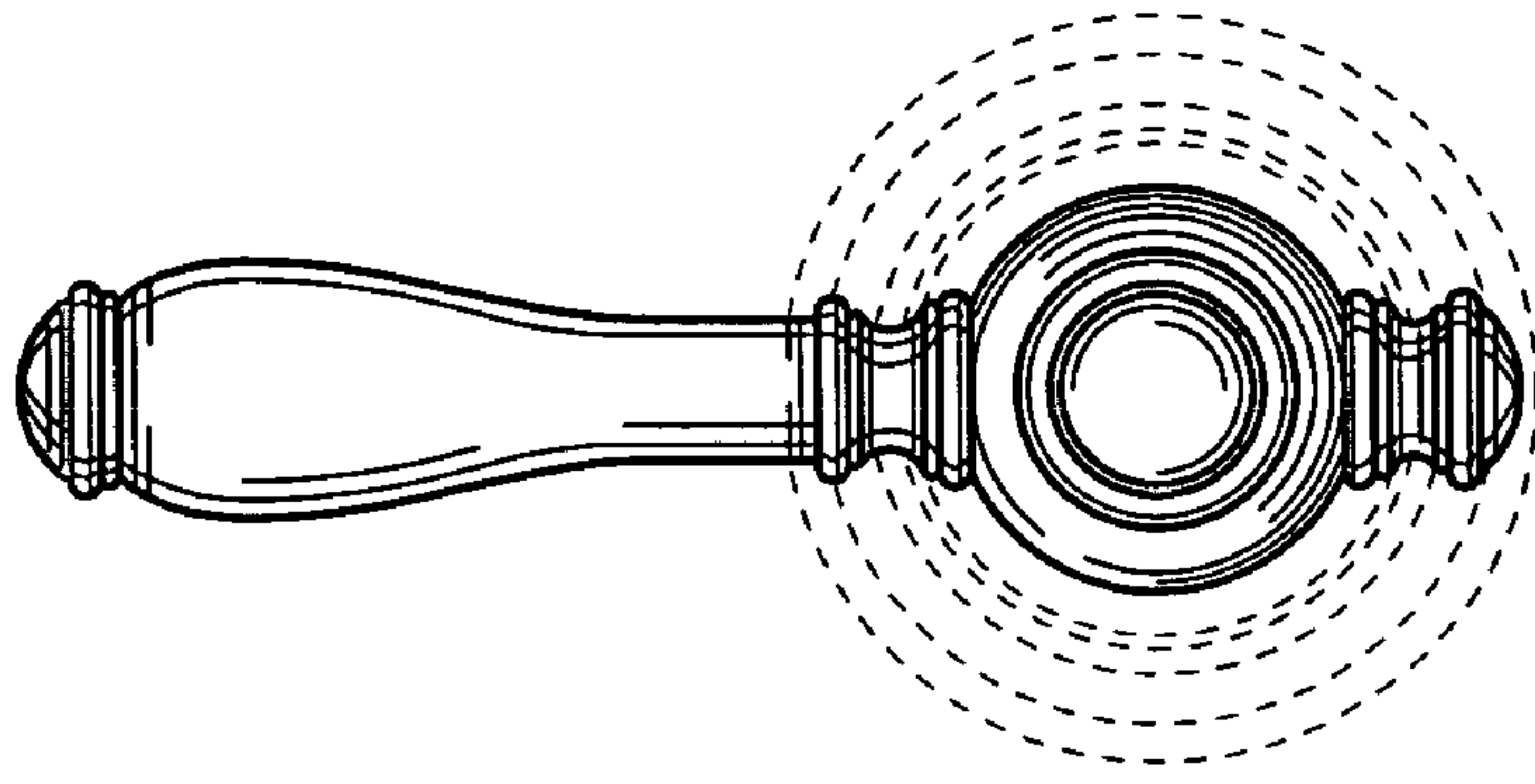


FIG. 5