



US00D582010S

(12) **United States Design Patent**
Chen

(10) **Patent No.:** **US D582,010 S**

(45) **Date of Patent:** **** Dec. 2, 2008**

(54) **FAUCET ASSEMBLY**

(76) **Inventor:** **Nicholas Chen**, 3501 Challenger St.,
Torrance, CA (US) 90503

(**) **Term:** **14 Years**

(21) **Appl. No.:** **29/293,324**

(22) **Filed:** **Nov. 16, 2007**

(51) **LOC (8) Cl.** **23-01**

(52) **U.S. Cl.** **D23/238**

(58) **Field of Classification Search** D23/200,
D23/238-257; D6/512, 546, 550; D8/300,
D8/307-308, 310-312, 321; 4/675-678;
137/801; 16/110.1, 441

See application file for complete search history.

(56) **References Cited**

U.S. PATENT DOCUMENTS

D360,016 S *	7/1995	Hsieh	D23/241
D461,527 S *	8/2002	Ko	D23/242
D461,530 S *	8/2002	Moll	D23/238
D511,371 S *	11/2005	Chen	D23/241
D515,671 S *	2/2006	Toyohara	D23/241

D520,116 S *	5/2006	Koury et al.	D23/241
D532,872 S *	11/2006	Miyamoto	D23/241
D563,525 S *	3/2008	Zhu	D23/242
D566,814 S *	4/2008	Yang	D23/241

* cited by examiner

Primary Examiner—Louis Zarfaz

Assistant Examiner—Mark Cavanna

(57) **CLAIM**

The ornamental design for the new faucet assembly, as shown and described.

DESCRIPTION

FIG. 1 is a perspective view of the faucet assembly, showing my new design;

FIG. 2 is a front elevational view thereof;

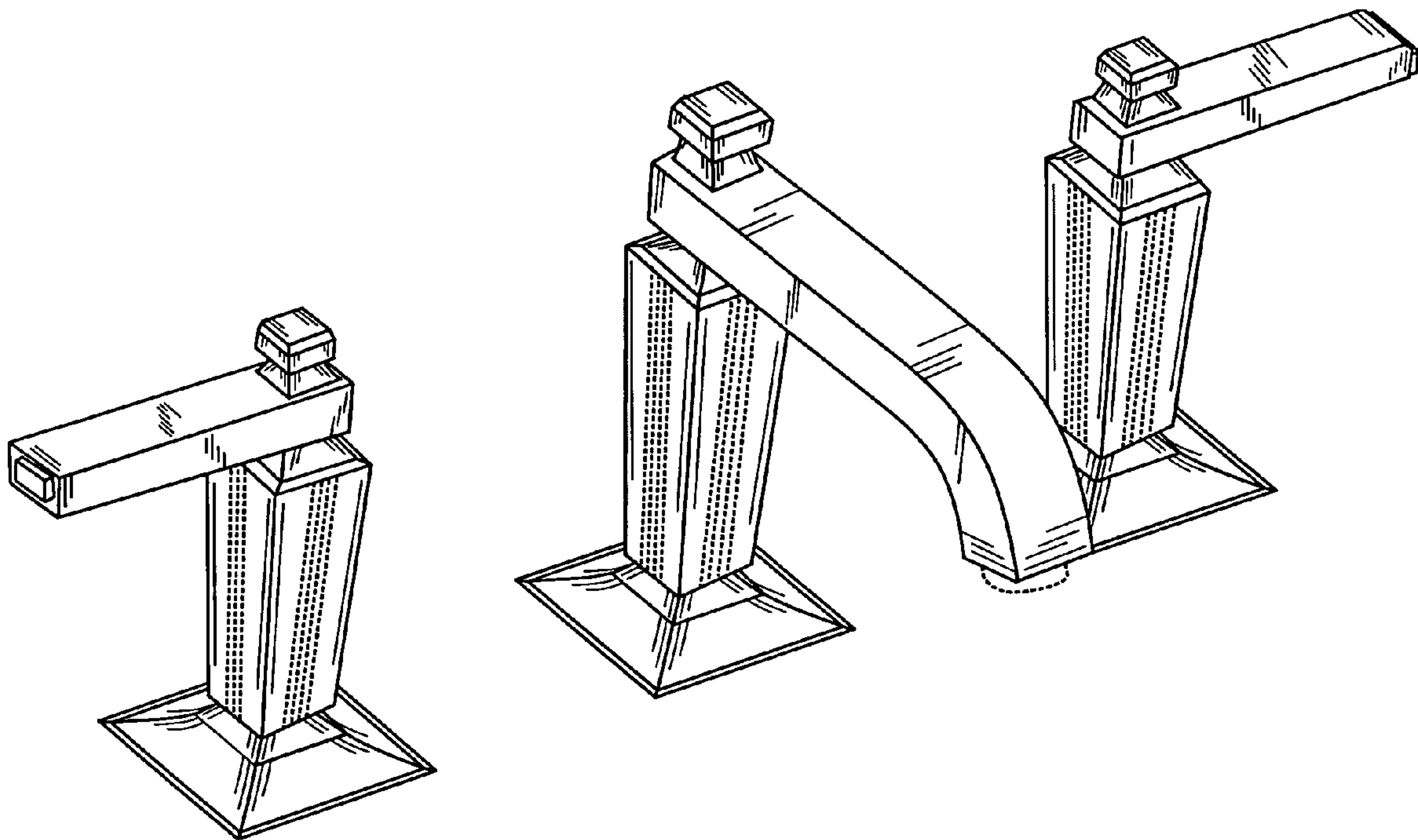
FIG. 3 is a rear elevational view thereof;

FIG. 4 is a left side elevational view thereof;

FIG. 5 is a right side elevational view thereof; and,

FIG. 6 is a top plan view thereof.

1 Claim, 6 Drawing Sheets



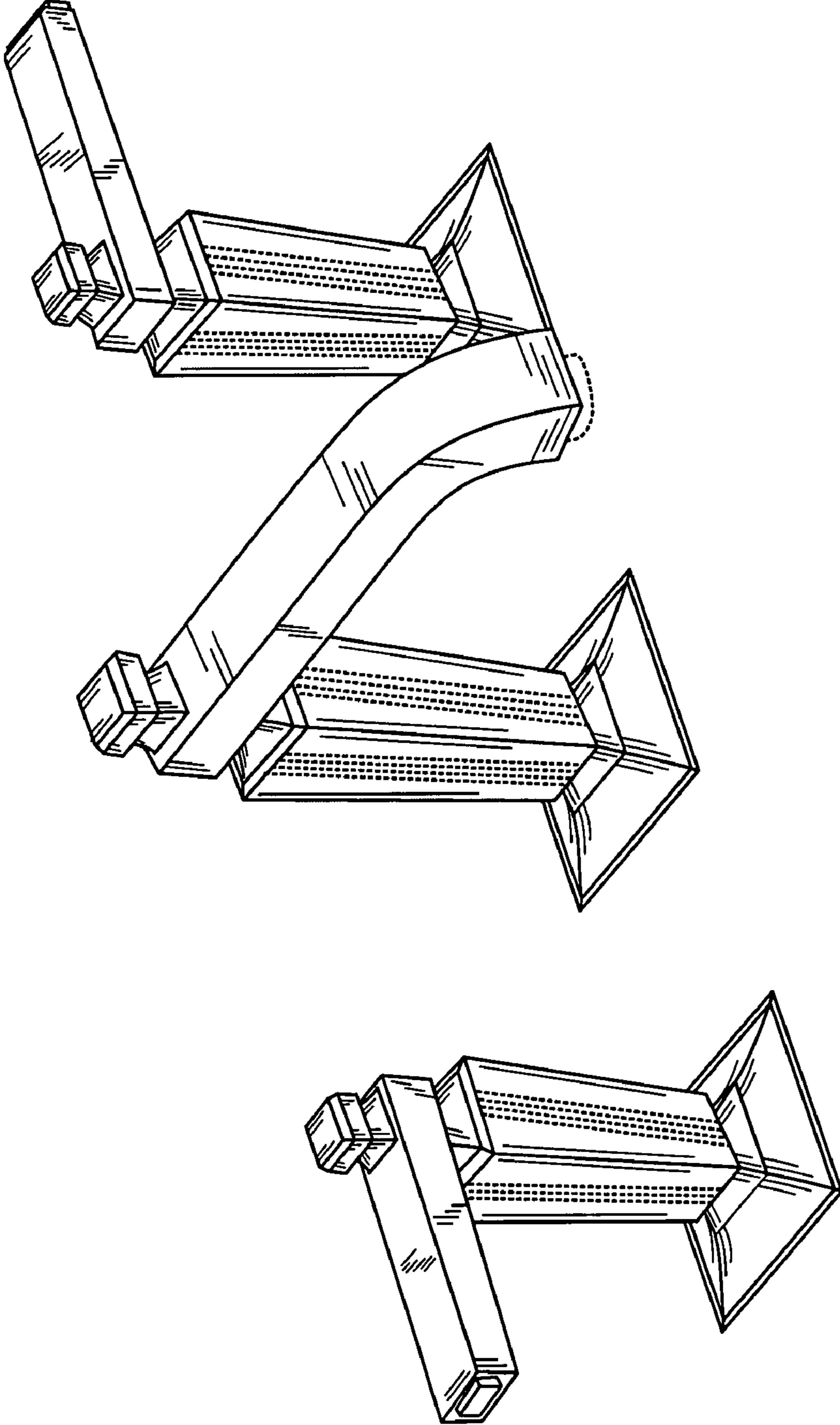


FIG. 1

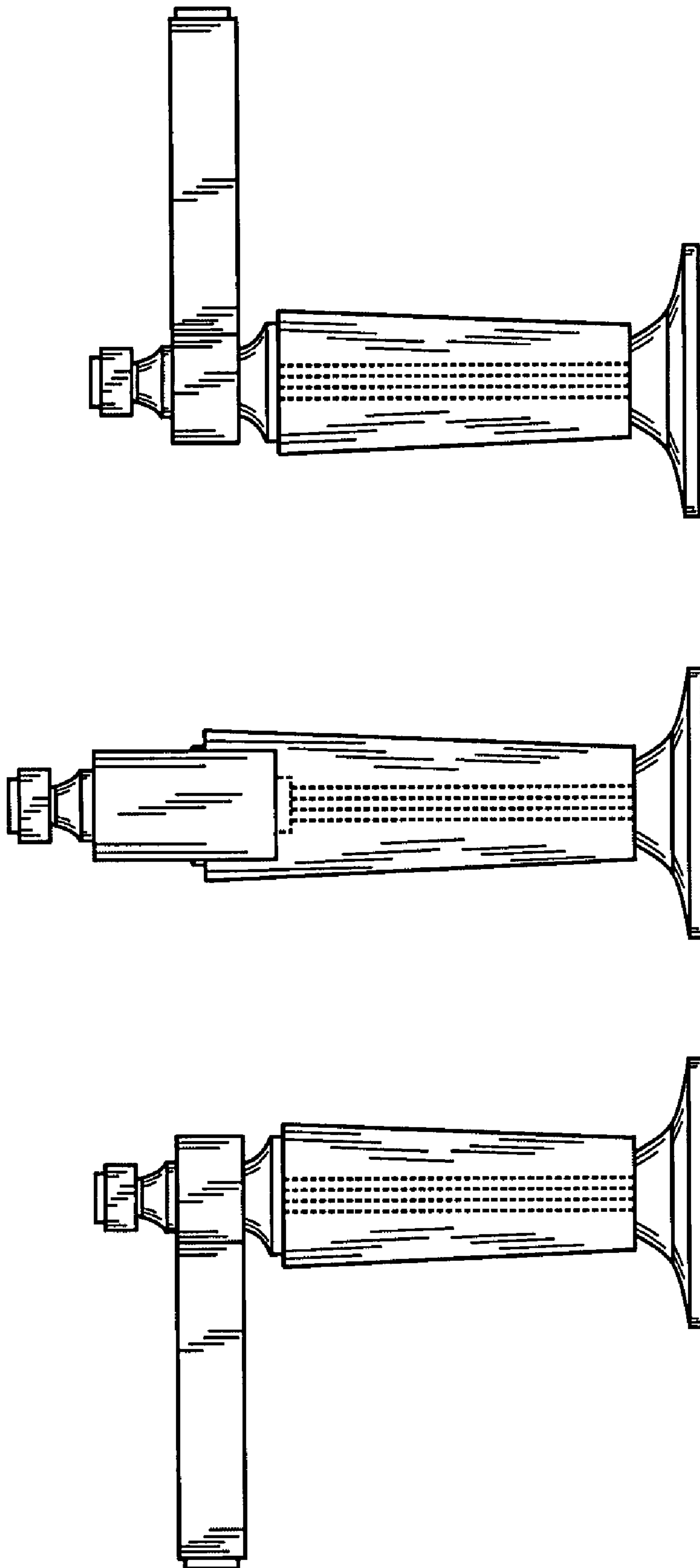


FIG. 2

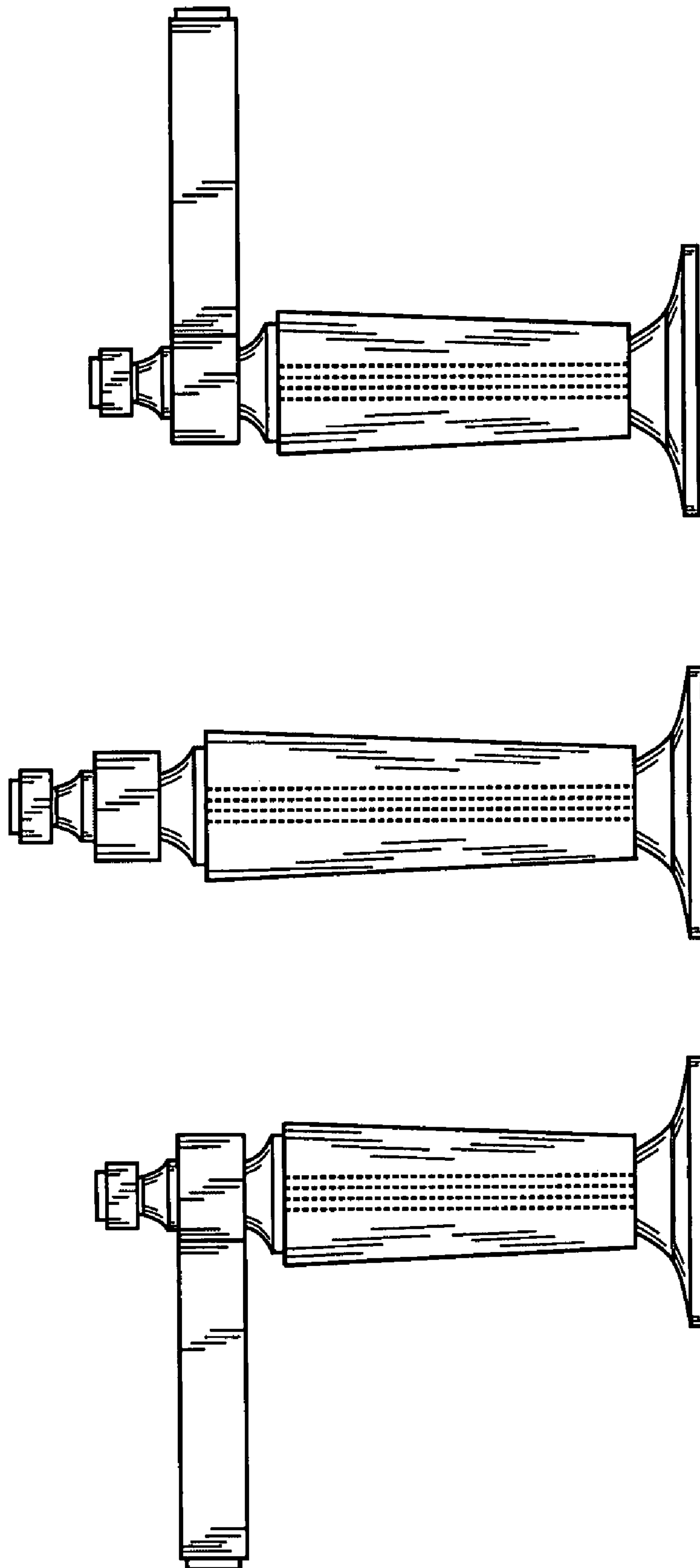


FIG. 3

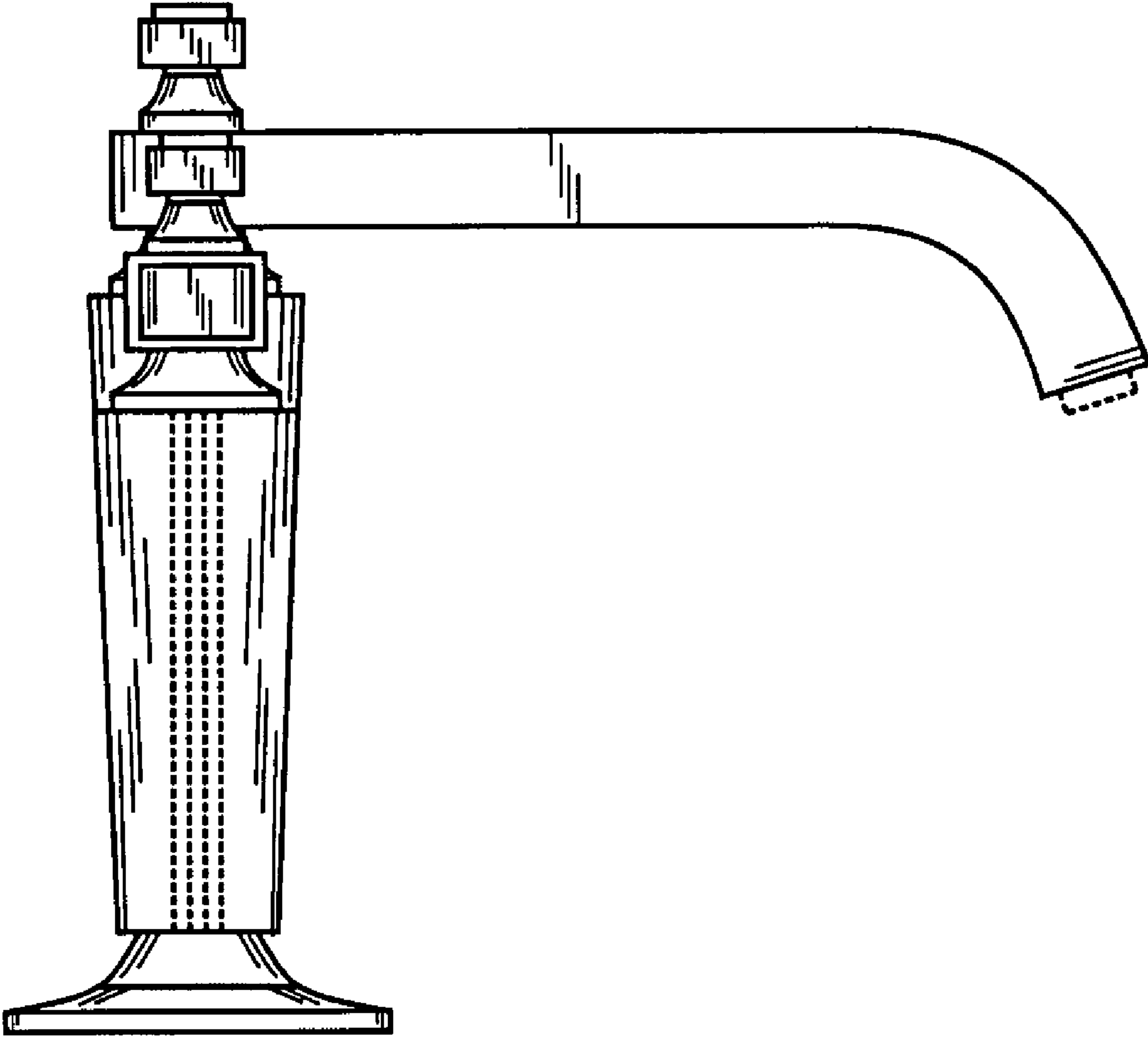


FIG. 4

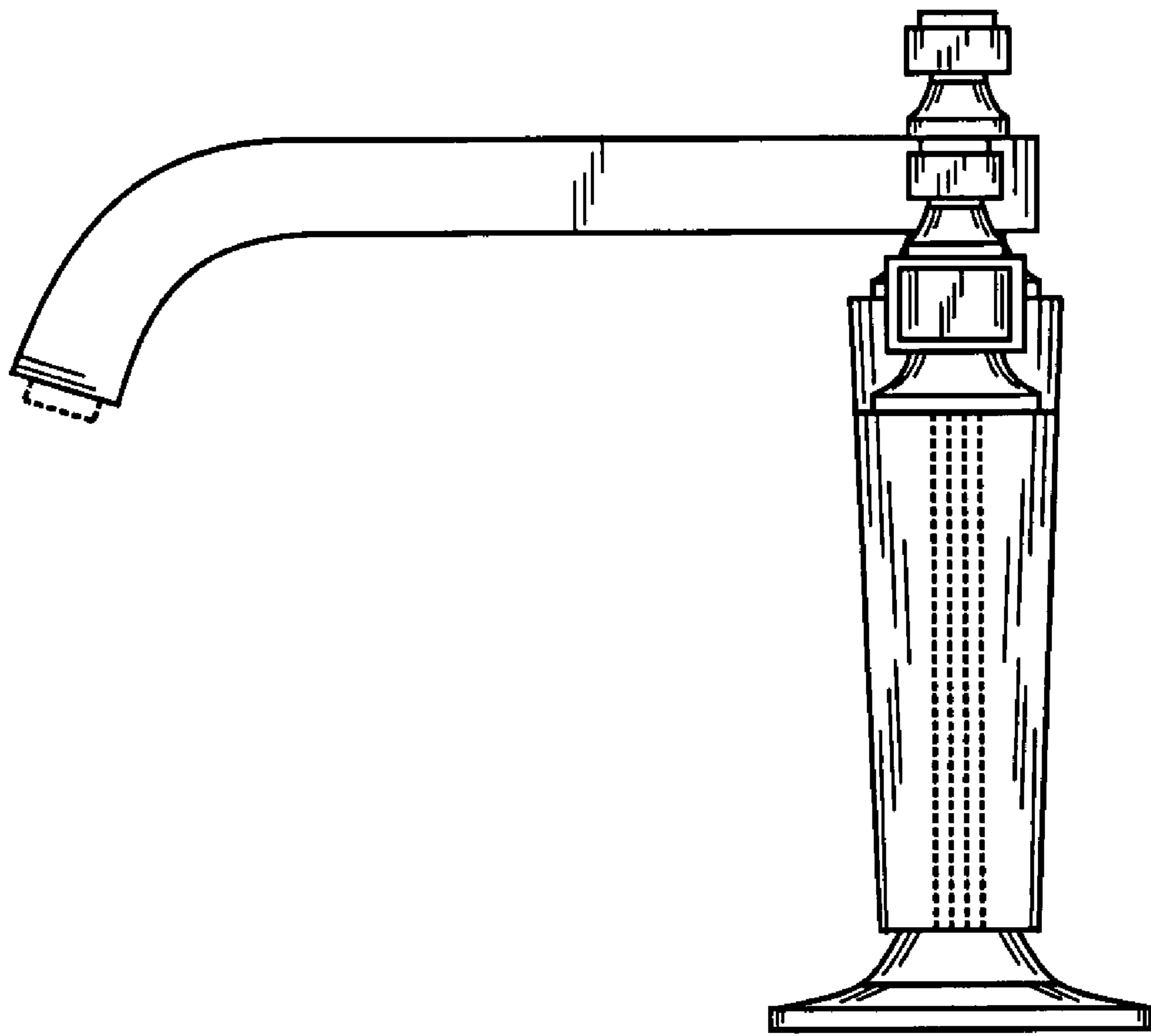


FIG. 5

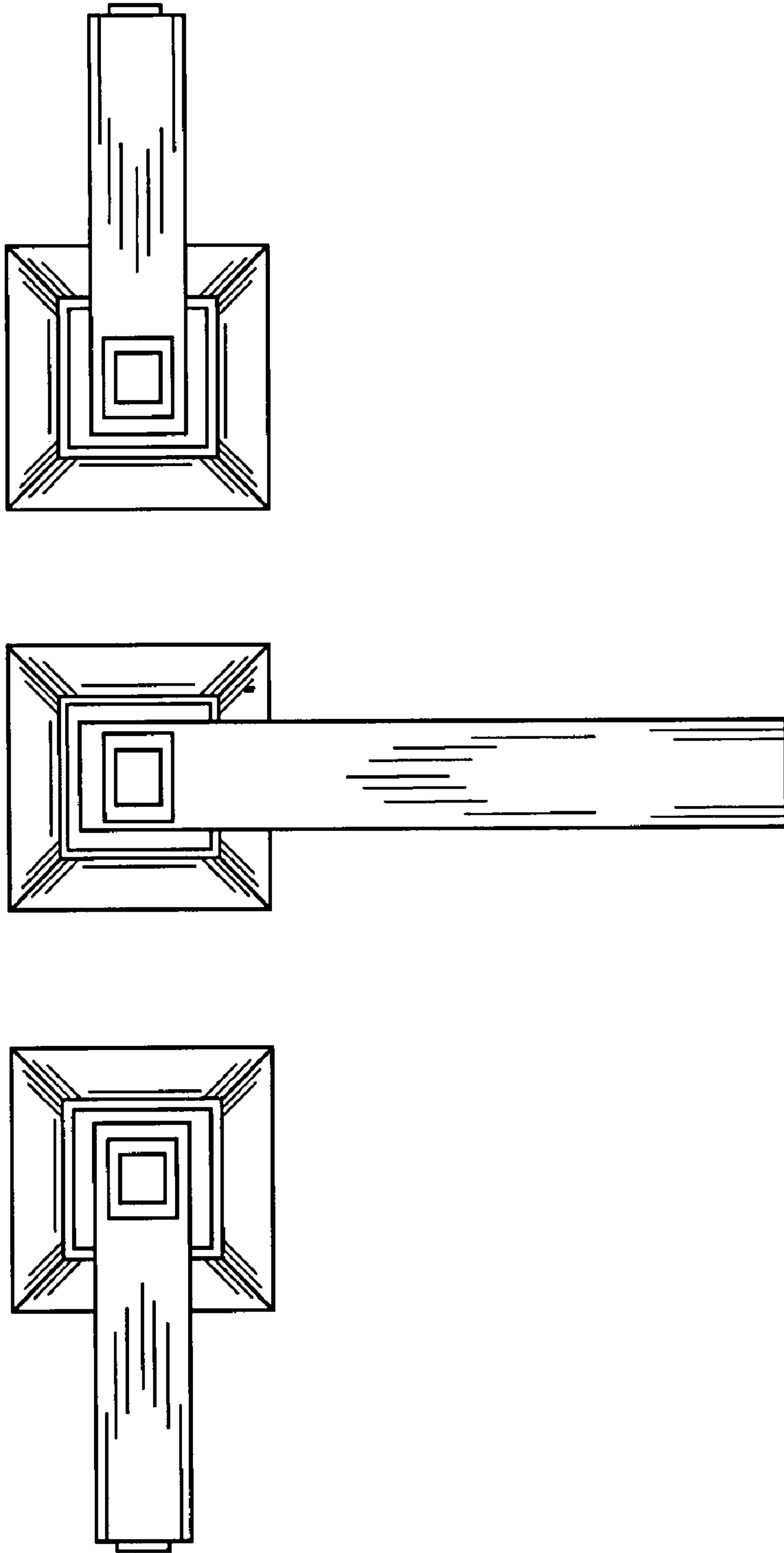


FIG. 6