



US00D582009S

(12) **United States Design Patent**
Citterio

(10) **Patent No.:** **US D582,009 S**
(45) **Date of Patent:** **** Dec. 2, 2008**

(54) **FAUCET ASSEMBLY**

(75) Inventor: **Antonio Citterio**, Milan (IT)

(73) Assignee: **Hansgrohe AG** (DE)

(**) Term: **14 Years**

(21) Appl. No.: **29/283,305**

(22) Filed: **Aug. 10, 2007**

(30) **Foreign Application Priority Data**

Feb. 27, 2007 (EM) 000679303-0010

(51) **LOC (8) Cl.** **23-01**

(52) **U.S. Cl.** **D23/238**

(58) **Field of Classification Search** D23/200,
D23/238-257; D6/512, 546, 550; D8/300,
D8/307-308, 310-312, 321; 4/675-678;
137/801; 16/110.1, 441

See application file for complete search history.

(56) **References Cited**

U.S. PATENT DOCUMENTS

D409,284 S *	5/1999	Gottwald	D23/238
D421,486 S *	3/2000	Slothower et al.	D23/255
D443,036 S *	5/2001	Burns et al.	D23/254
D444,211 S *	6/2001	Mullenmeister	D23/238
D492,754 S *	7/2004	Blattner	D23/238
D493,210 S *	7/2004	Citterio	D23/238

D513,635 S *	1/2006	Haug et al.	D23/238
D514,200 S *	1/2006	Starck	D23/238
D514,664 S *	2/2006	Starck	D23/238
D529,995 S *	10/2006	Smith	D23/254
D560,757 S *	1/2008	Heck et al.	D23/238

* cited by examiner

Primary Examiner—Louis Zarfaz

Assistant Examiner—Mark Cavanna

(74) *Attorney, Agent, or Firm*—Leon E. Redman; Lloyd D. Doigan

(57) **CLAIM**

The ornamental design for a faucet assembly, as shown and described.

DESCRIPTION

FIG. 1 is a front perspective view of a faucet assembly showing my design;

FIG. 2 is a front elevational view thereof;

FIG. 3 is a left side elevational view thereof;

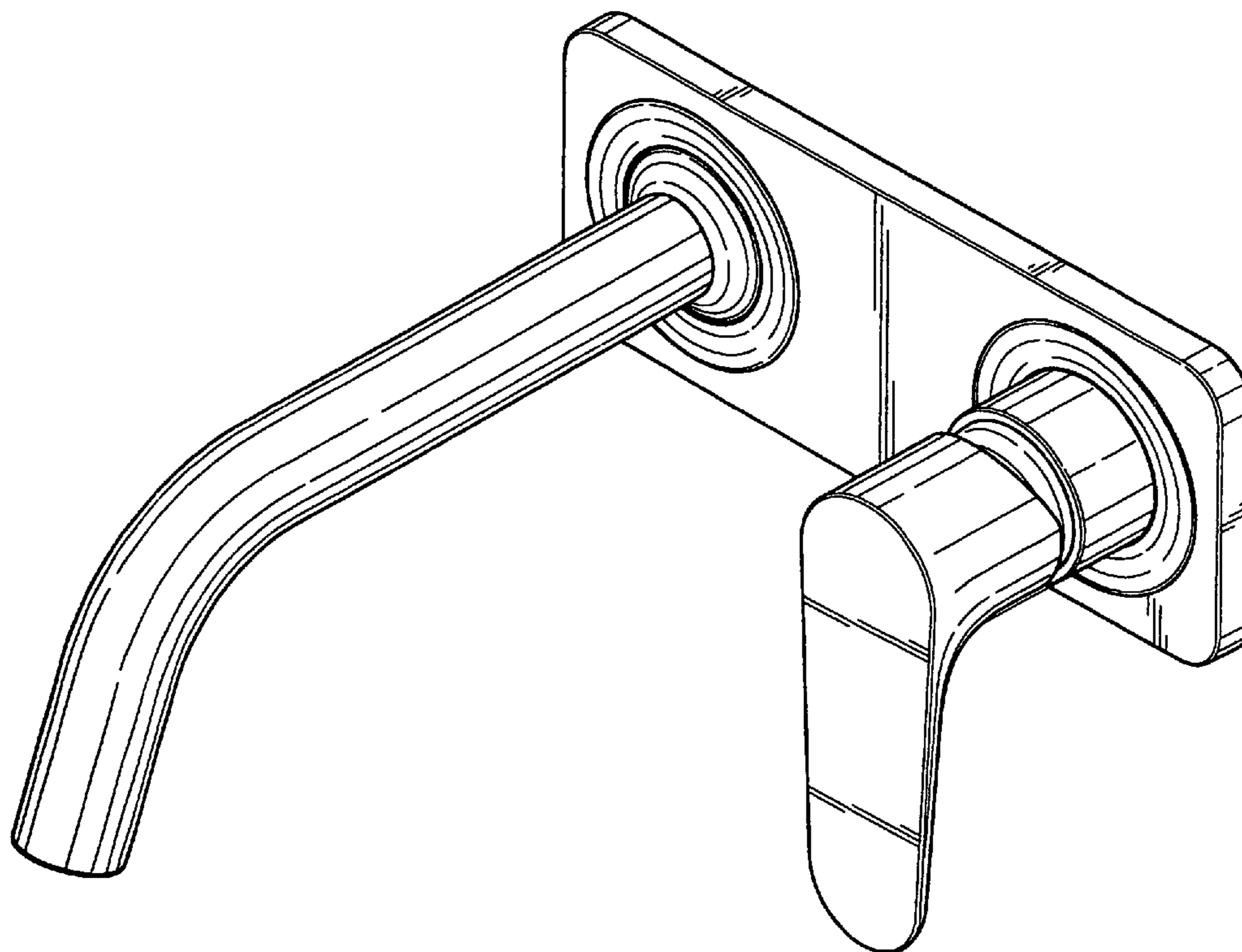
FIG. 4 is a right side elevational view;

FIG. 5 is a top plan view thereof; and,

FIG. 6 is a bottom plan view thereof.

The broken lines are included for the purpose of illustrating portions of the faucet assembly that forms no part of the claimed design.

1 Claim, 6 Drawing Sheets



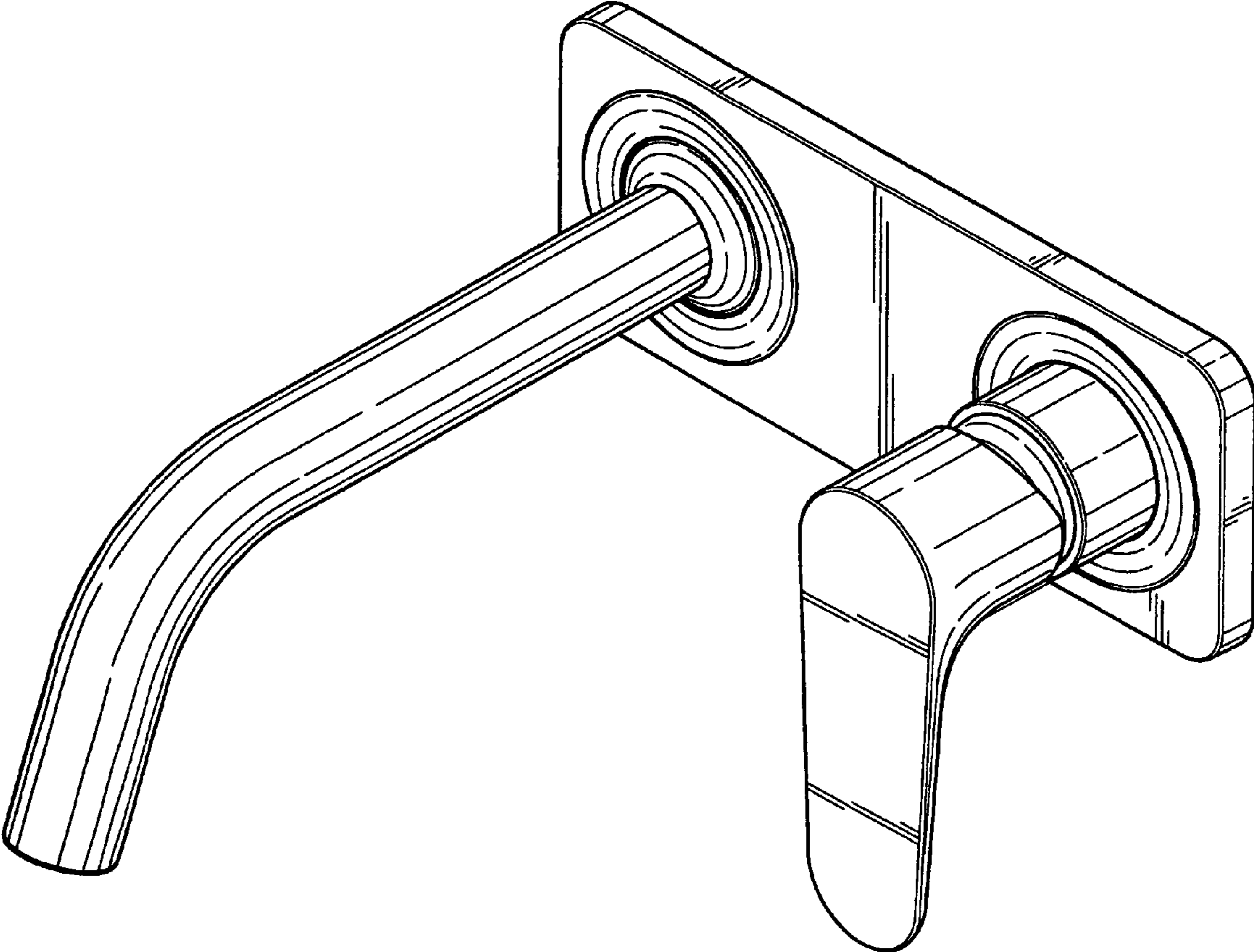


FIG. 1

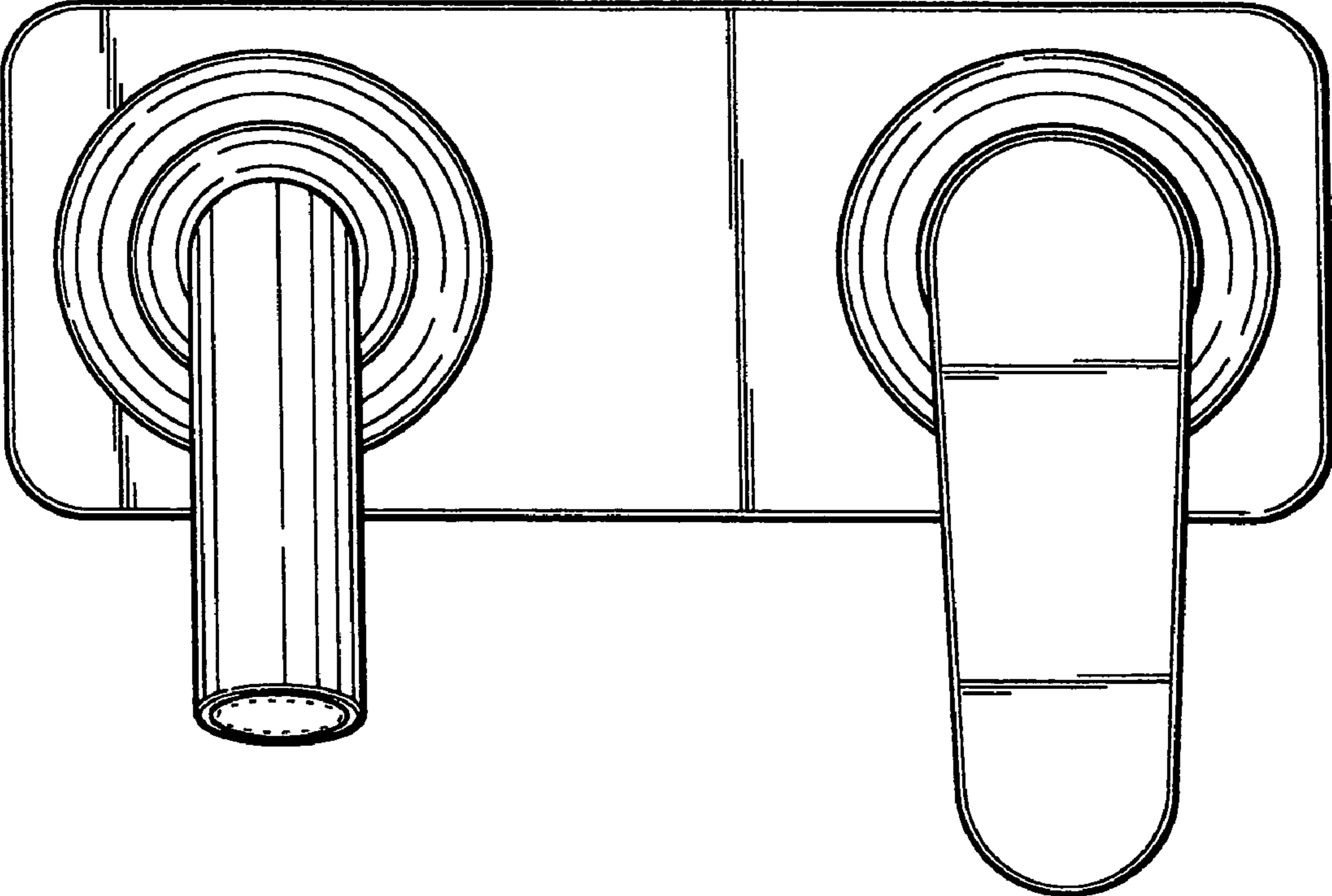


FIG. 2

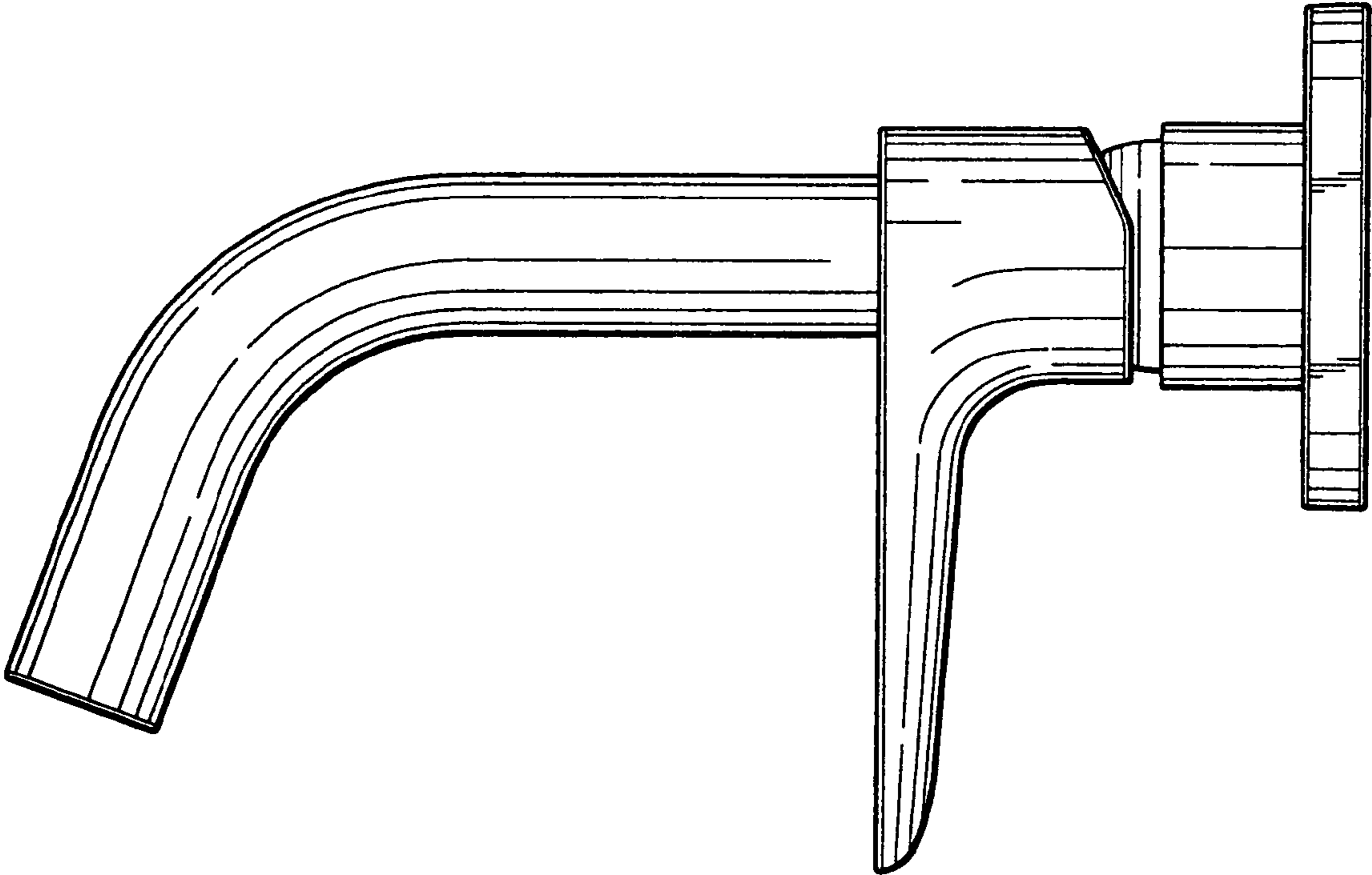


FIG. 3

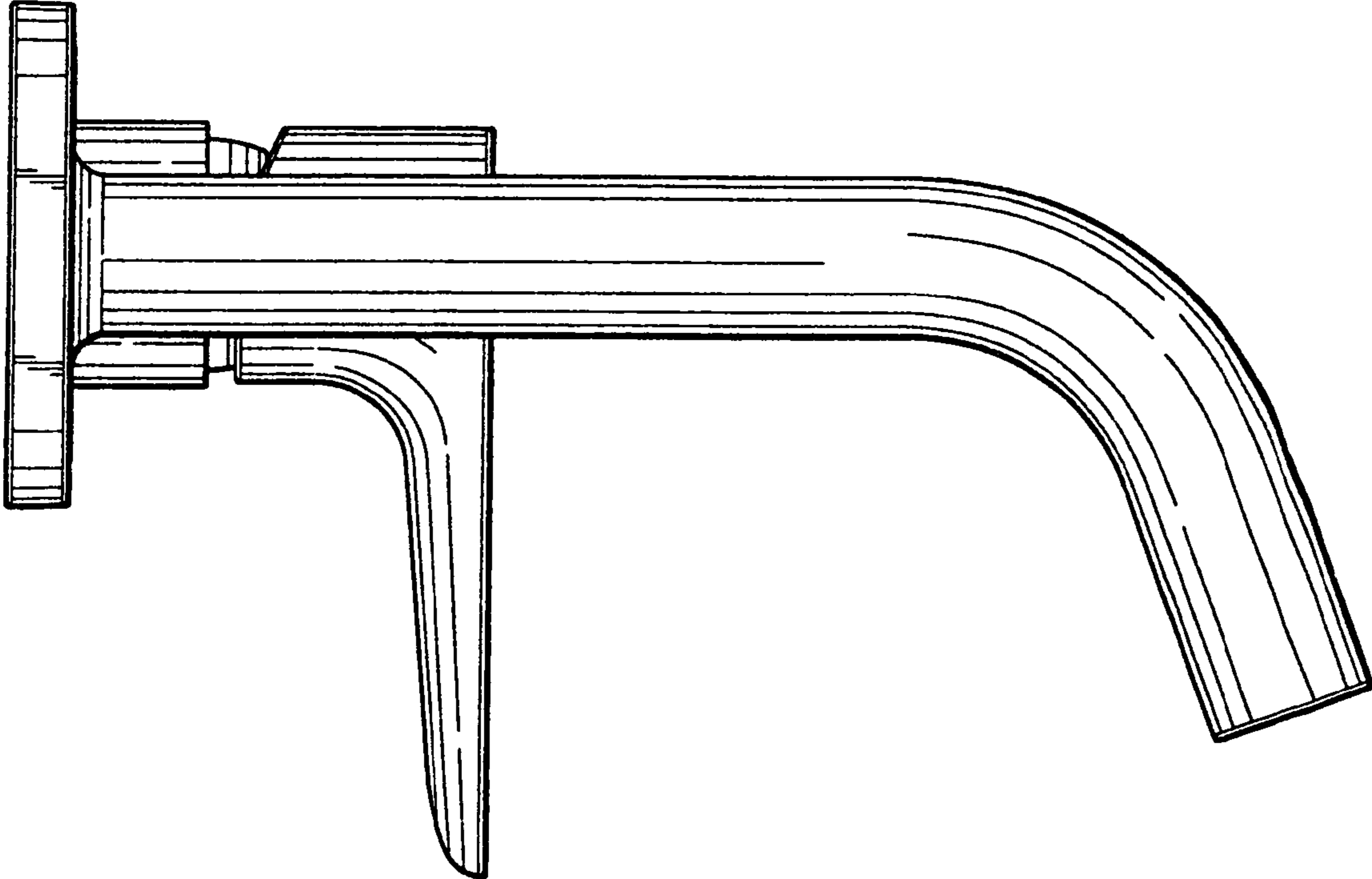


FIG. 4

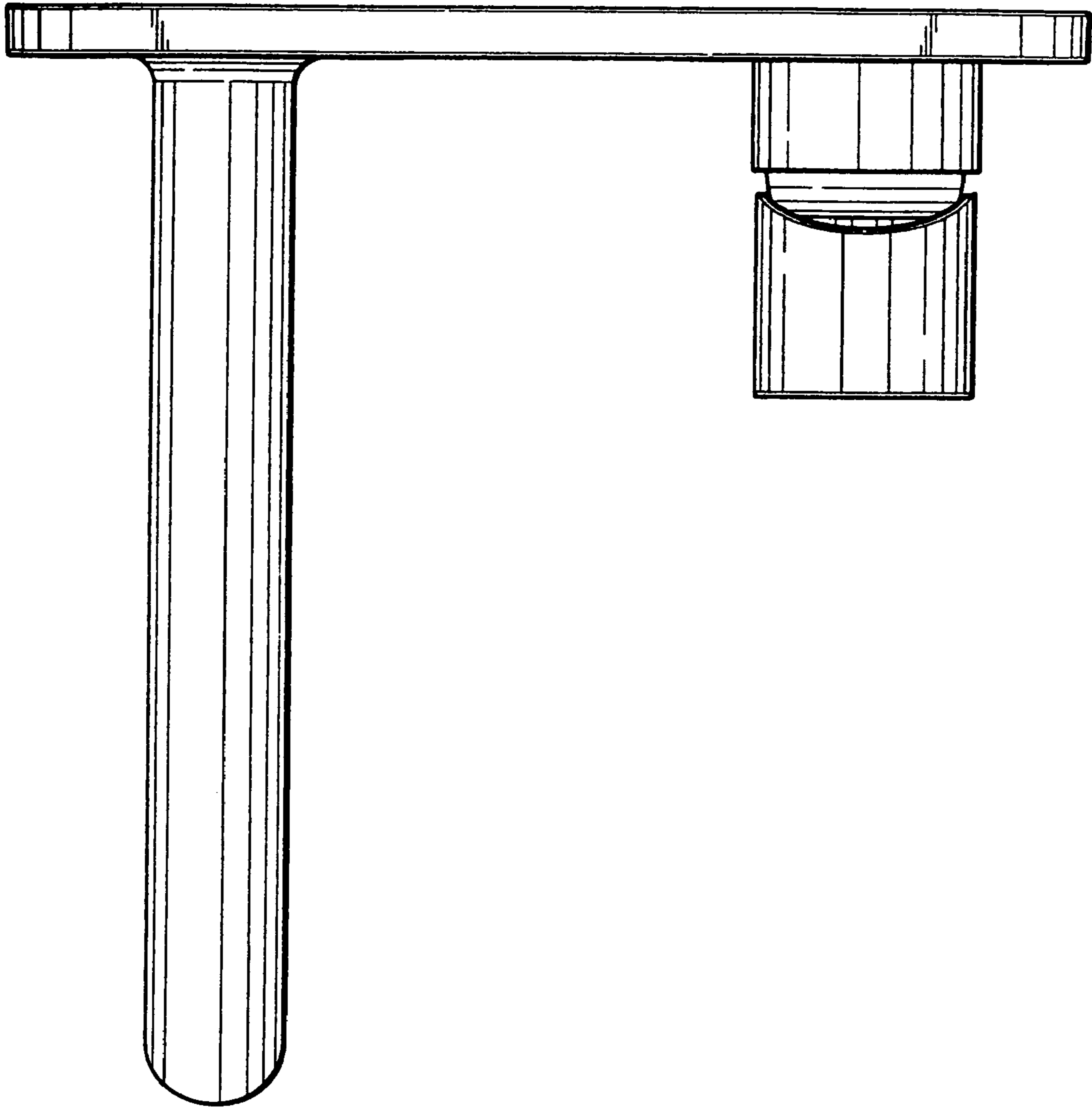


FIG. 5

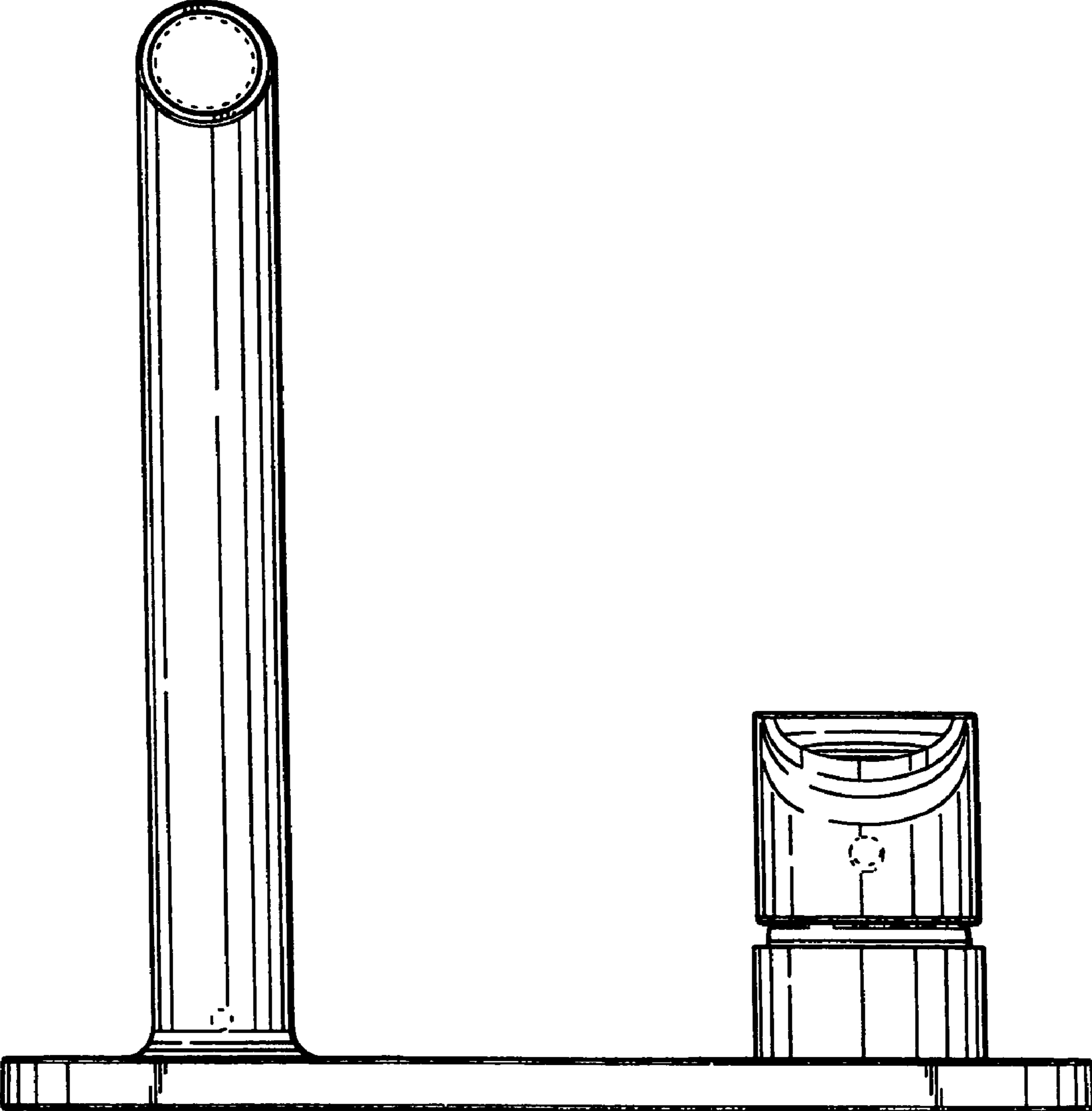


FIG. 6