



US00D582008S

(12) **United States Design Patent**
Citterio

(10) **Patent No.:** **US D582,008 S**
(45) **Date of Patent:** **** Dec. 2, 2008**

(54) **FAUCET**

(75) Inventor: **Antonio Citterio**, Milan (IT)

(73) Assignee: **Hansgrohe AG** (DE)

(**) Term: **14 Years**

(21) Appl. No.: **29/283,260**

(22) Filed: **Aug. 9, 2007**

(30) **Foreign Application Priority Data**

Feb. 27, 2007 (EM) 000679303-0001

(51) **LOC (8) Cl.** **23-01**

(52) **U.S. Cl.** **D23/238**

(58) **Field of Classification Search** D23/200,
D23/238-257; D6/512, 546, 550; D8/300,
D8/307-308, 310-312, 321; 4/675-678;
137/801; 16/110.1, 441

See application file for complete search history.

(56) **References Cited**

U.S. PATENT DOCUMENTS

D301,162 S * 5/1989 Oberdorfer D23/238
D324,723 S * 3/1992 Chretien D23/238
D355,706 S * 2/1995 Chretien D23/238
D416,077 S * 11/1999 Fleischmann D23/238
D420,430 S * 2/2000 Lobermeier D23/238
D435,088 S * 12/2000 Fleischmann D23/238

D441,429 S * 5/2001 Mullenmeister D23/238
D517,653 S * 3/2006 Ito D23/238
D532,084 S * 11/2006 Toyohara D23/238
D548,308 S * 8/2007 Hoernig D23/238

* cited by examiner

Primary Examiner—Louis Zarfes

Assistant Examiner—Mark Cavanna

(74) *Attorney, Agent, or Firm*—Leon E. Redman; Lloyd D. Doigan

(57) **CLAIM**

The ornamental design for a faucet, as shown and described.

DESCRIPTION

FIG. 1 is a front perspective view of a faucet showing my design;

FIG. 2 is a front elevational view thereof;

FIG. 3 is a rear elevational view thereof;

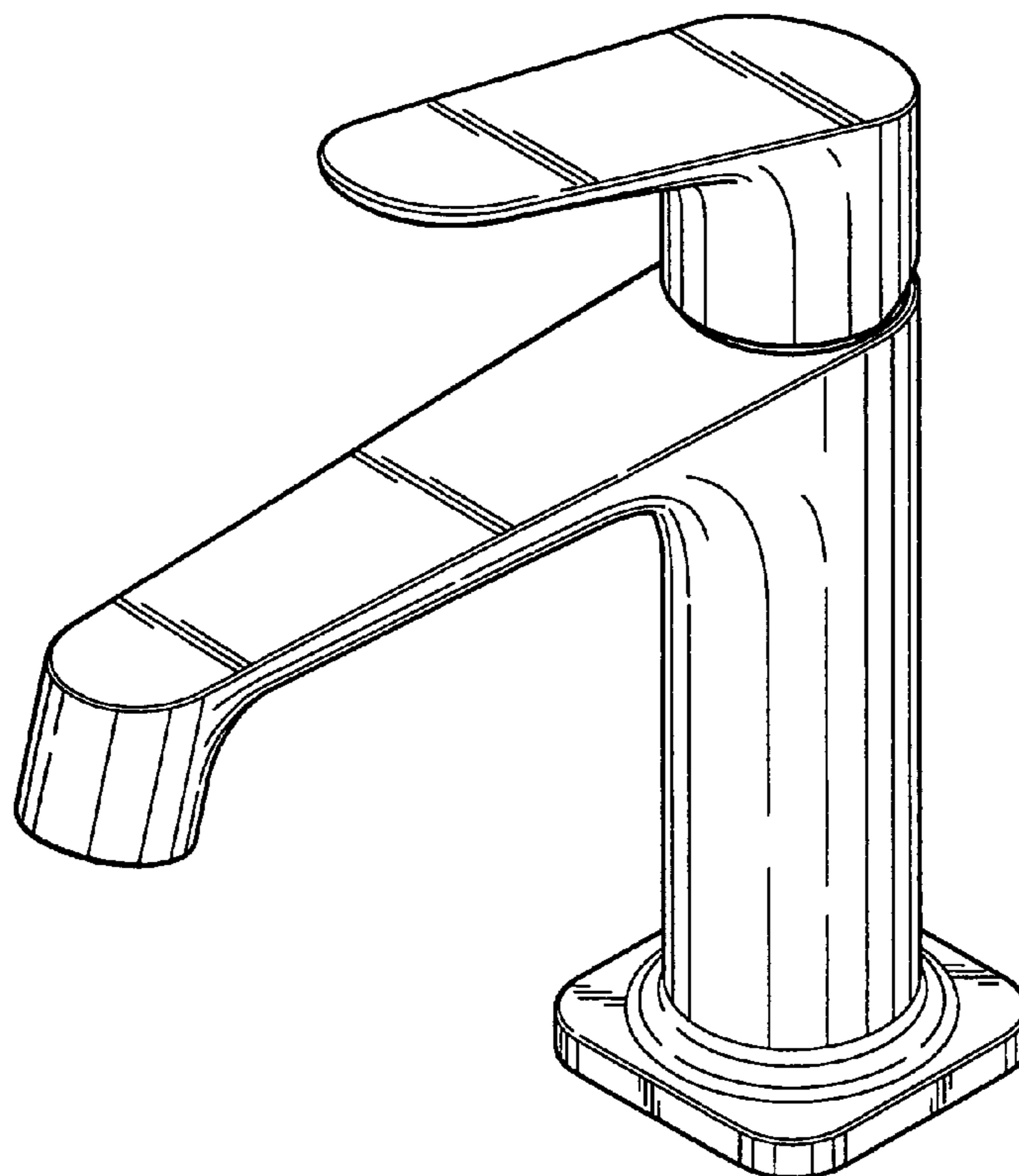
FIG. 4 is a left side elevational view thereof; the right side elevational view being a mirror image thereof; and,

FIG. 5 is a top plan view thereof.

The broken lines in the Figures are for illustrative purposes only and form no part of the claimed design.

The broken lines in figures are for the purpose of illustrating portions of the faucet that forms no part of the claimed design.

1 Claim, 4 Drawing Sheets



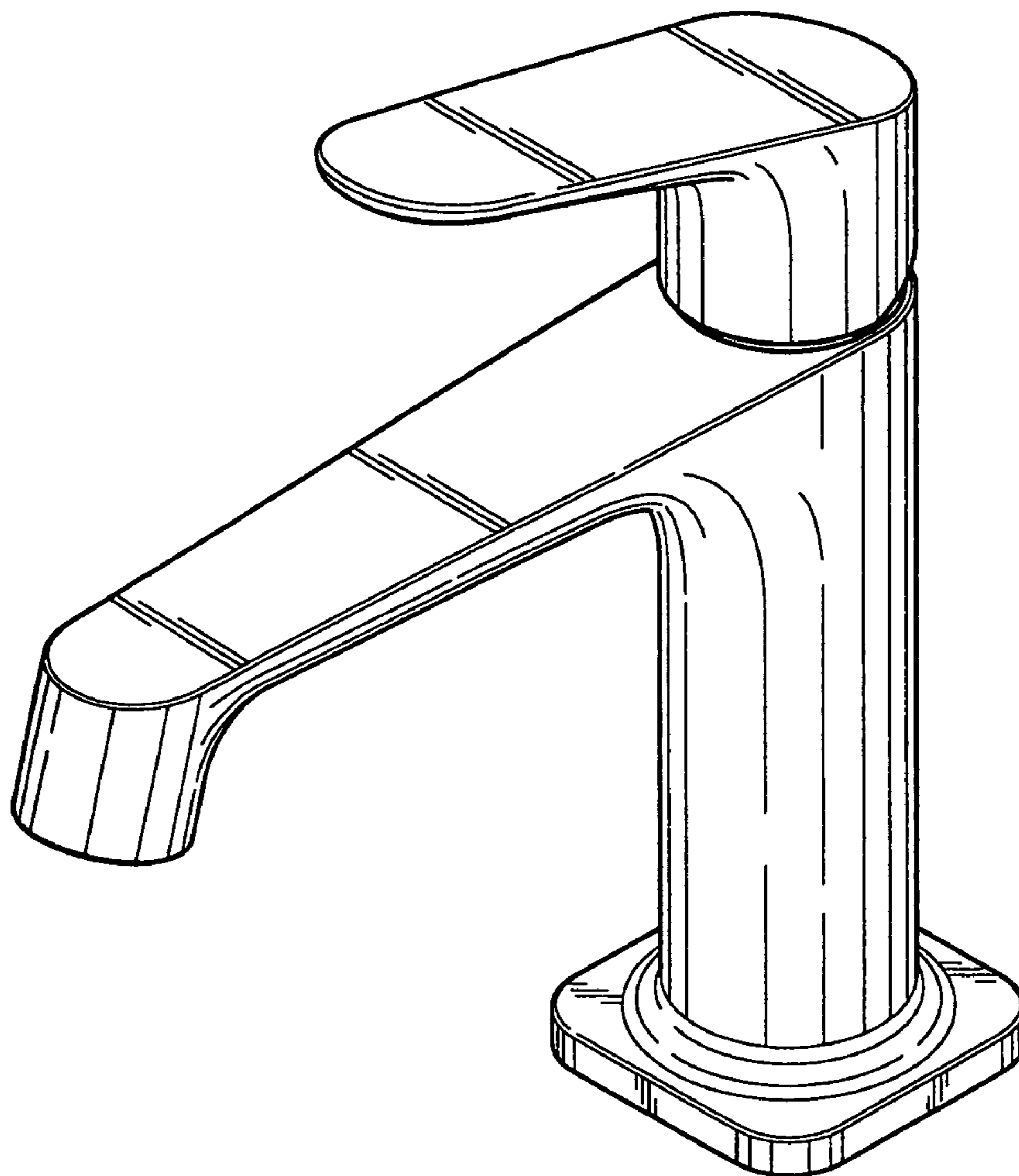


FIG. 1

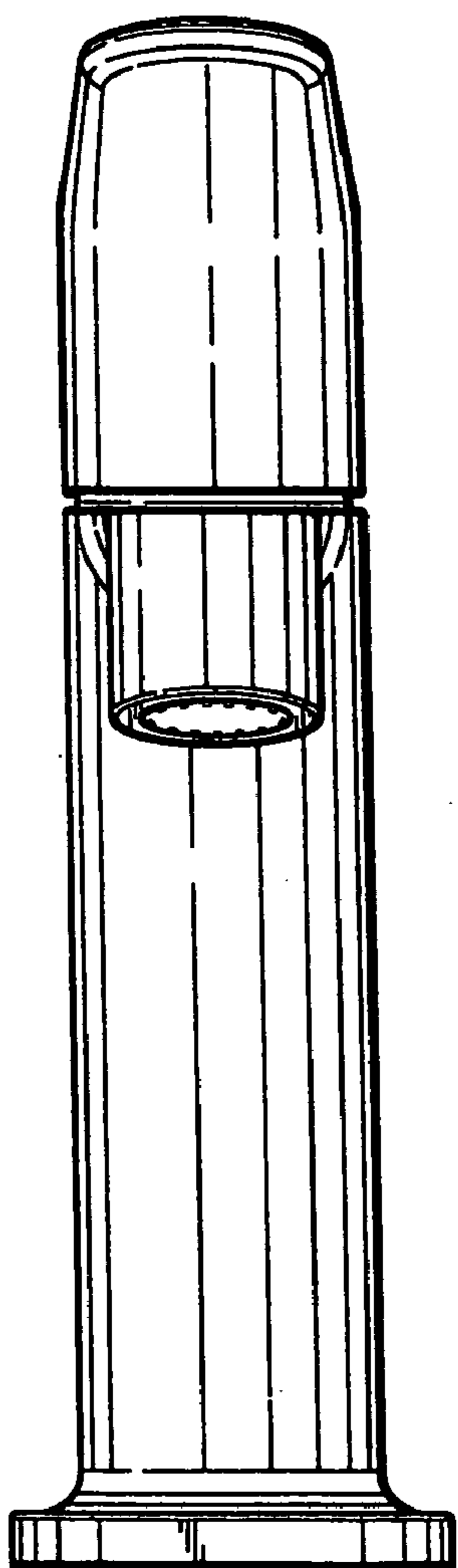


FIG. 2

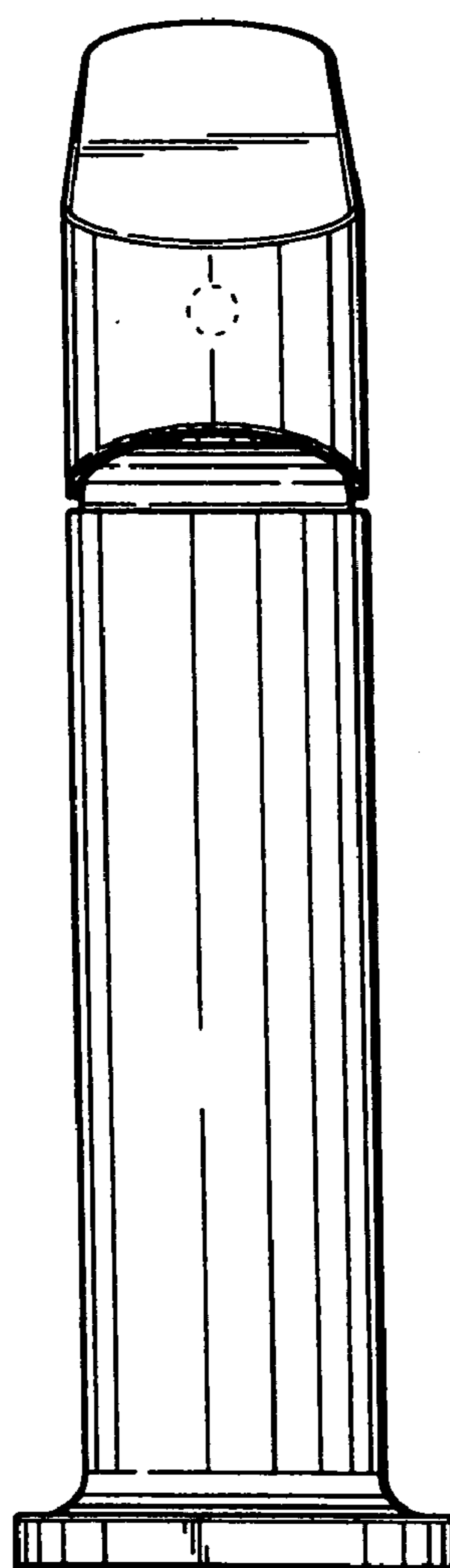


FIG. 3

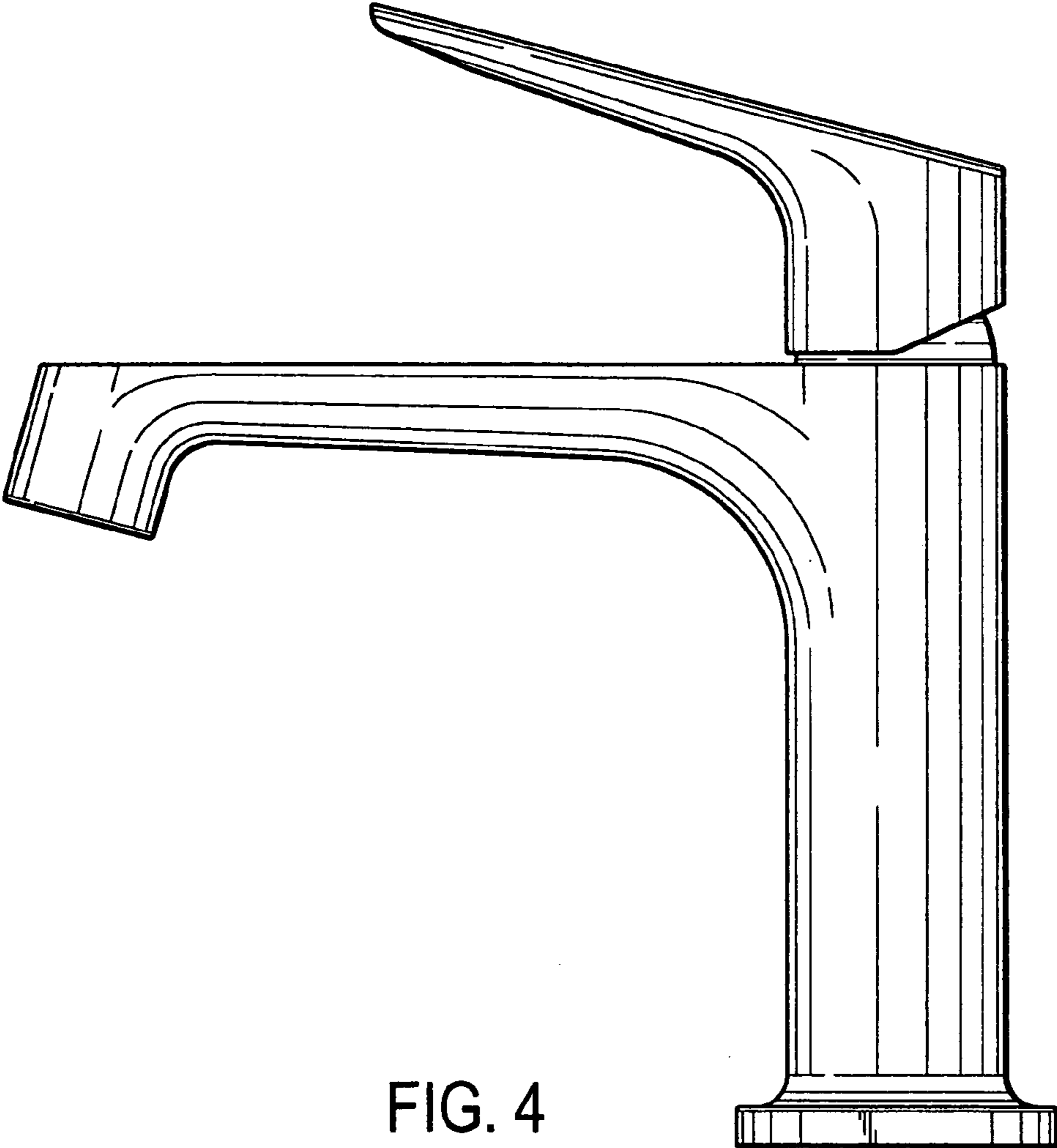


FIG. 4

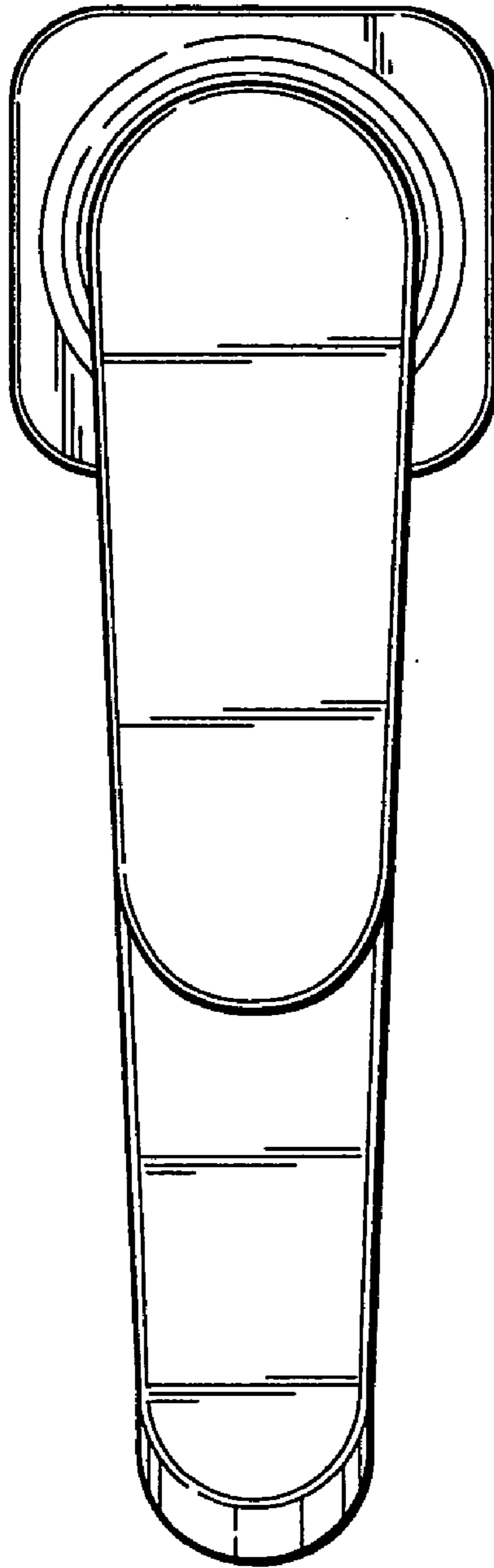


FIG. 5