



US00D582007S

(12) **United States Design Patent**
Ko

(10) **Patent No.:** **US D582,007 S**

(45) **Date of Patent:** **** Dec. 2, 2008**

(54) **FAUCET**

(75) Inventor: **Hsi Chia Ko**, Changhua Hsien (TW)

(73) Assignee: **Chung Cheng Faucet Co., Ltd.**,
Changhua Hsien (TW)

(**) Term: **14 Years**

(21) Appl. No.: **29/272,083**

(22) Filed: **Feb. 1, 2007**

(51) **LOC (8) Cl.** **23-01**

(52) **U.S. Cl.** **D23/238**

(58) **Field of Classification Search** D23/238-257;
4/675-678; 137/801

See application file for complete search history.

(56) **References Cited**

U.S. PATENT DOCUMENTS

- D510,612 S * 10/2005 Lammel et al. D23/241
- D511,371 S * 11/2005 Chen D23/241
- D515,671 S * 2/2006 Toyohara D23/241

D520,116 S * 5/2006 Koury et al. D23/241

* cited by examiner

Primary Examiner—Robert M. Spear

Assistant Examiner—Ania K Dworzecka

(74) *Attorney, Agent, or Firm*—Troxell Law Office, PLLC

(57) **CLAIM**

The ornamental design for a faucet, as shown and described.

DESCRIPTION

FIG. 1 is a perspective view of a faucet showing my new design;

FIG. 2 is a front view thereof;

FIG. 3 is a rear view thereof;

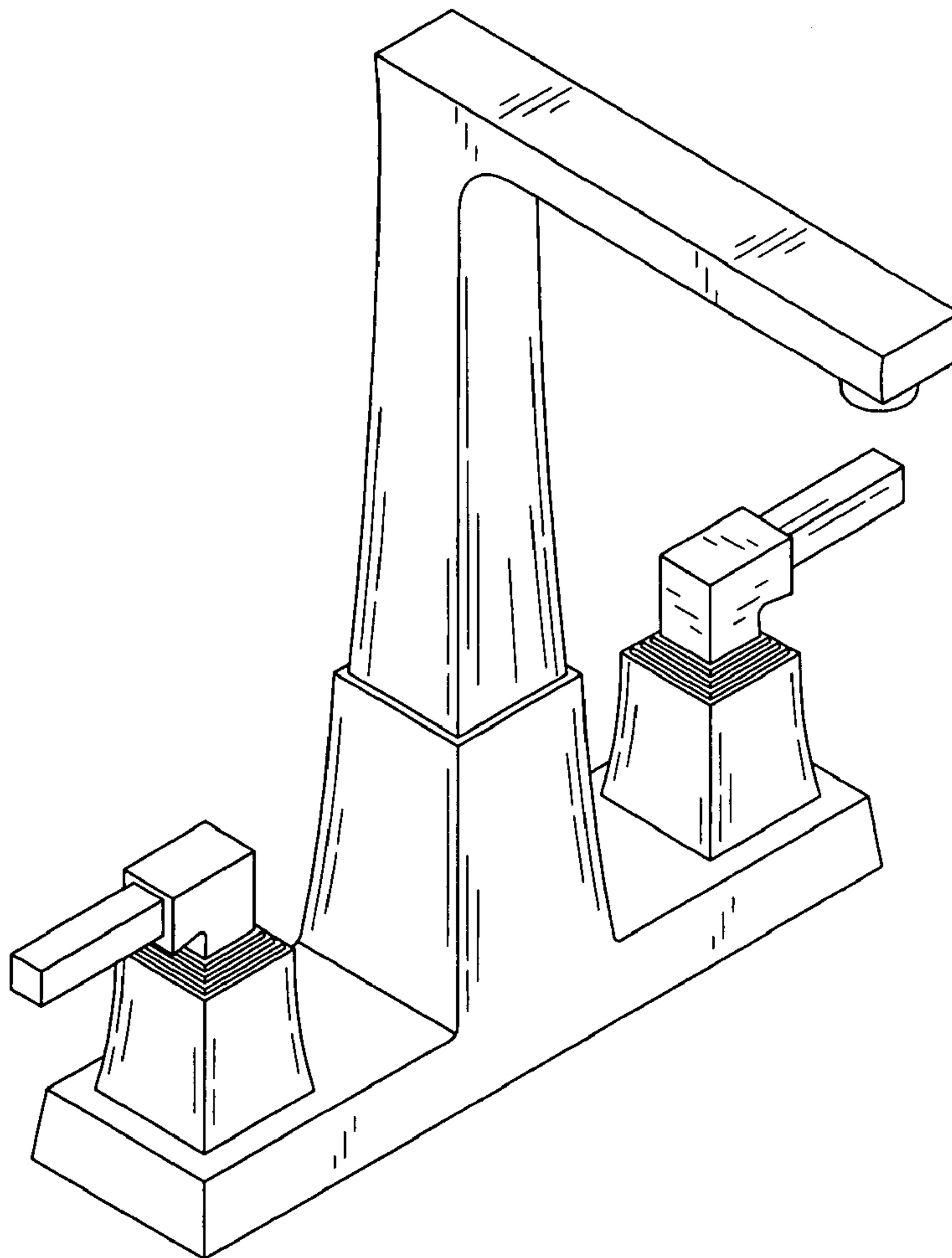
FIG. 4 is a left side view thereof;

FIG. 5 is a right side view thereof;

FIG. 6 is a top view thereof; and,

FIG. 7 is a bottom view thereof.

1 Claim, 4 Drawing Sheets



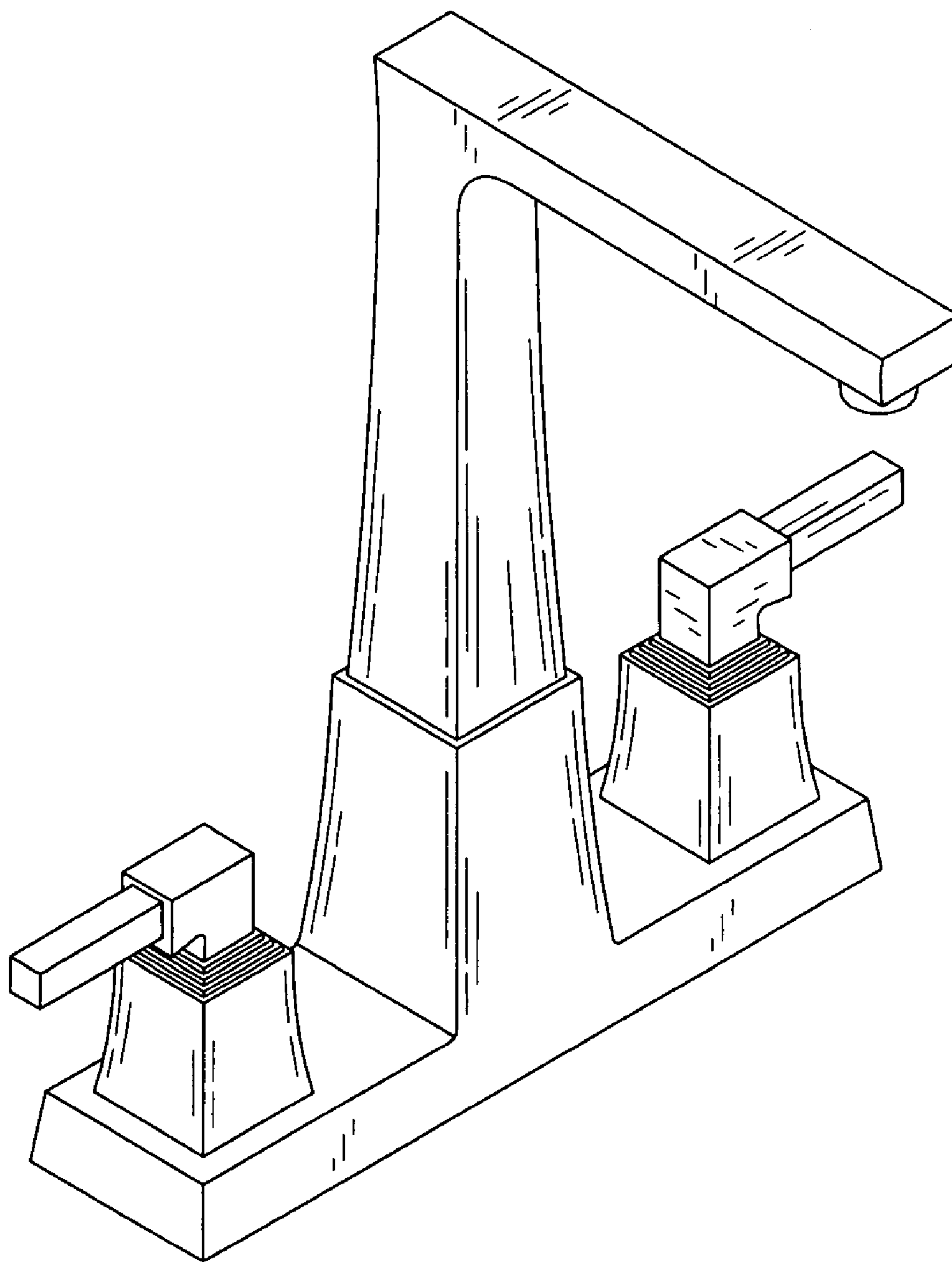


FIG. 1

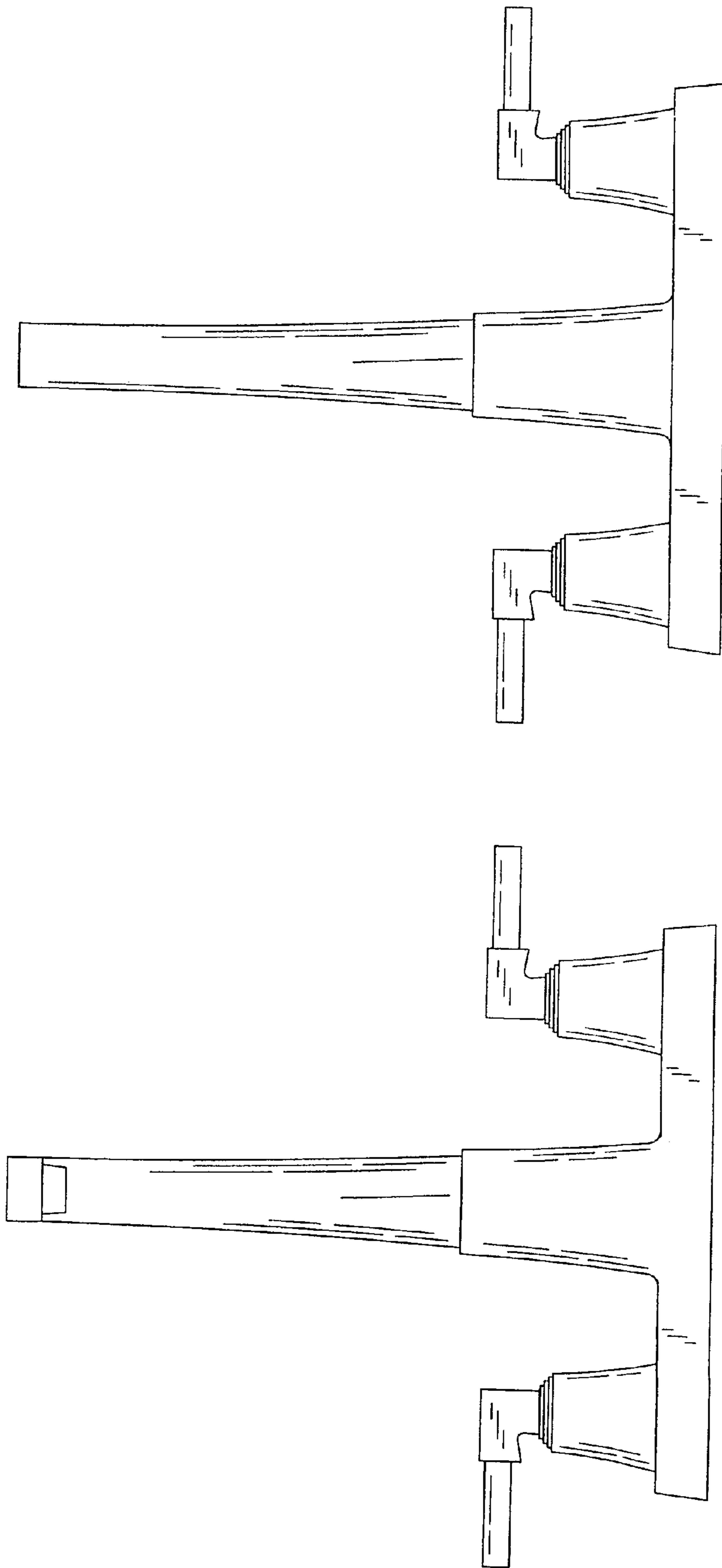


FIG. 3

FIG. 2

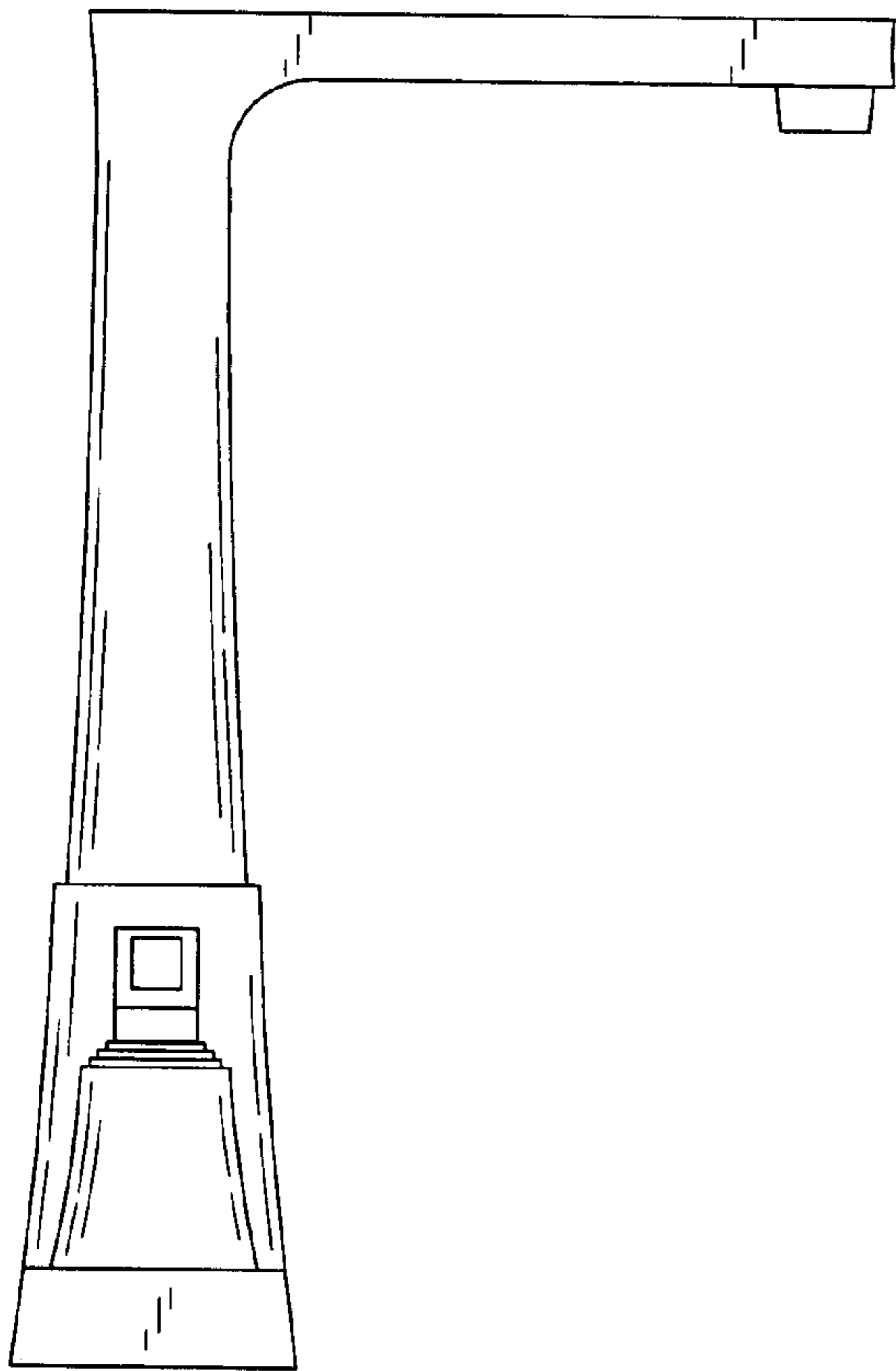


FIG. 4

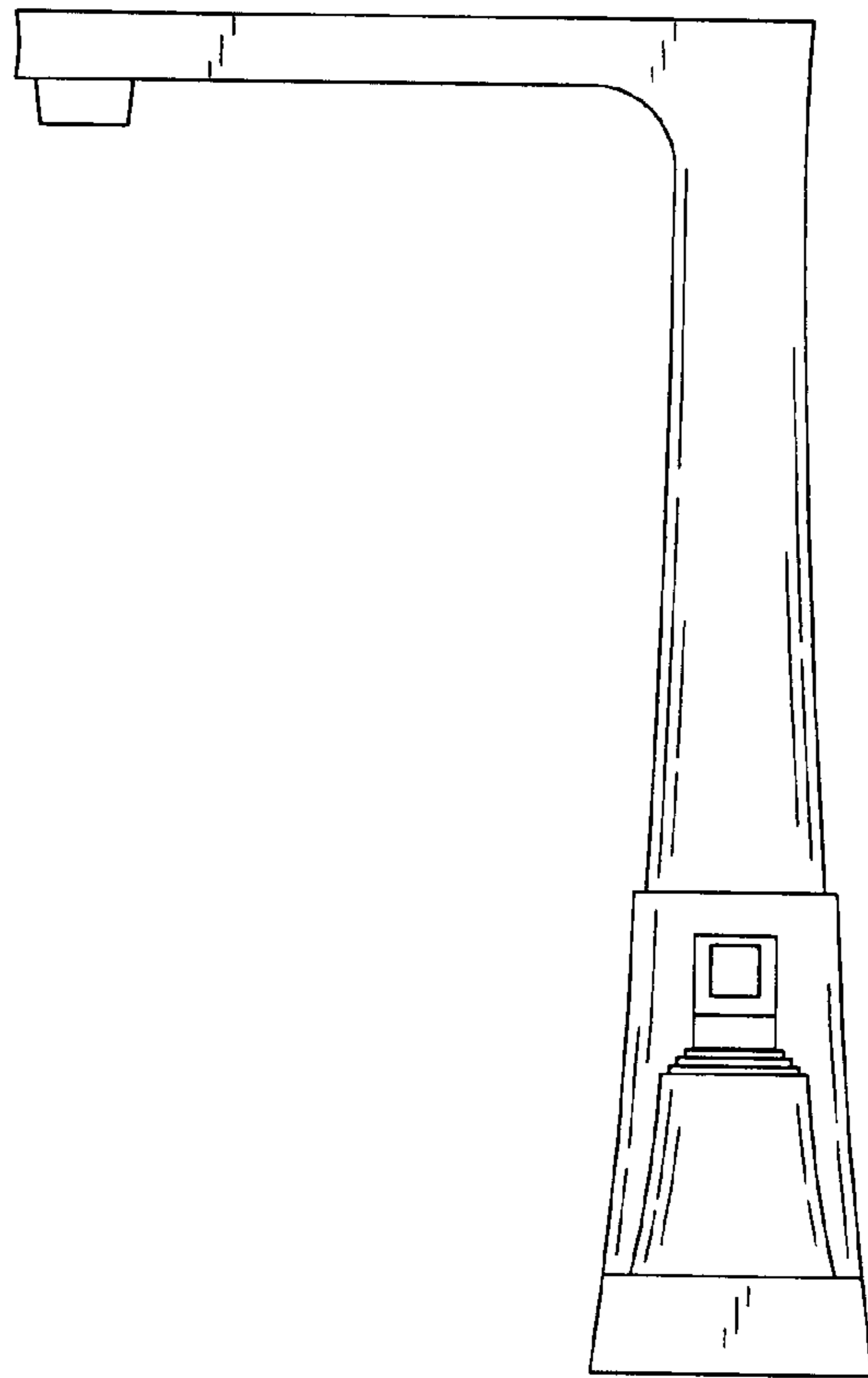


FIG. 5

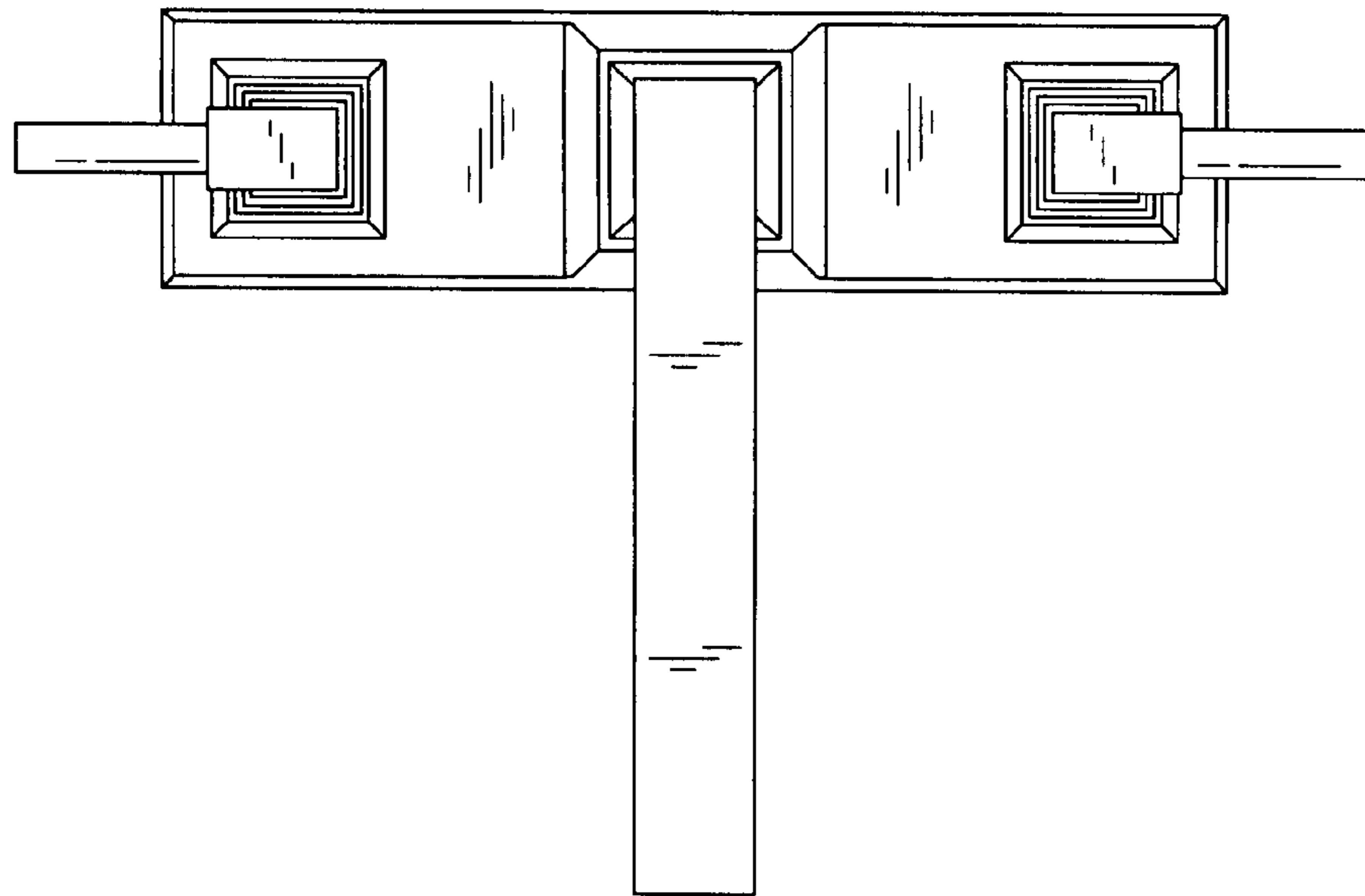


FIG. 6

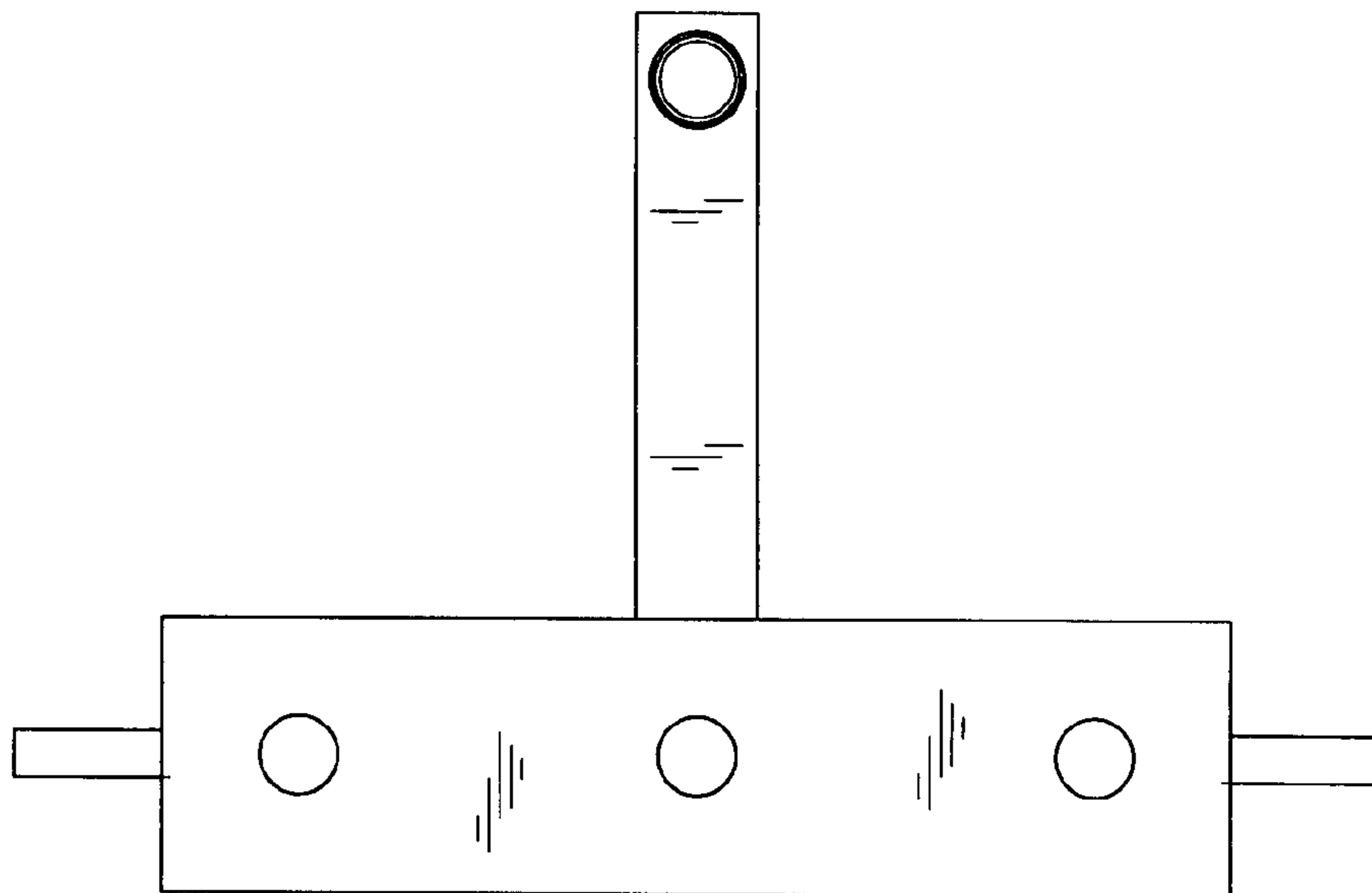


FIG. 7