



US00D582004S

(12) **United States Design Patent**
Eshet et al.

(10) **Patent No.:** **US D582,004 S**
(45) **Date of Patent:** **** Dec. 2, 2008**

(54) **ILLUMINATING WATER SPRINKLER**

D415,248 S * 10/1999 Roman D23/214
D492,005 S * 6/2004 Wang D23/214
D503,773 S * 4/2005 Alkalay D23/214

(75) Inventors: **Assaf Eshet**, Tel-Aviv (IL); **Oded Davidovitch**, Tel-Aviv (IL)

* cited by examiner

(73) Assignee: **Elgo Irrigation Ltd.**, Caesarea (IL)

Primary Examiner—Robin V Webster

(**) Term: **14 Years**

(74) *Attorney, Agent, or Firm*—Fennemore Craig, P.C.

(21) Appl. No.: **29/296,961**

(57) **CLAIM**

(22) Filed: **Oct. 31, 2007**

The ornamental design for an illuminating water sprinkler, as shown and described.

(51) **LOC (8) Cl.** **23-01**

(52) **U.S. Cl.** **D23/214**

(58) **Field of Classification Search** D23/213,
D23/214, 221, 201; 239/17–19, 273, 276;
362/96

See application file for complete search history.

DESCRIPTION

FIG. 1 is an illustrative top plan view of an illuminating water sprinkler showing our new design;

FIG. 2 is a bottom plan view thereof;

FIG. 3 is a front, side, and top perspective view thereof;

FIG. 4 is a rear, side, and top perspective view of the illuminating water sprinkler;

FIG. 5 is a front elevational view thereof;

FIG. 6 is a side elevational view thereof; and,

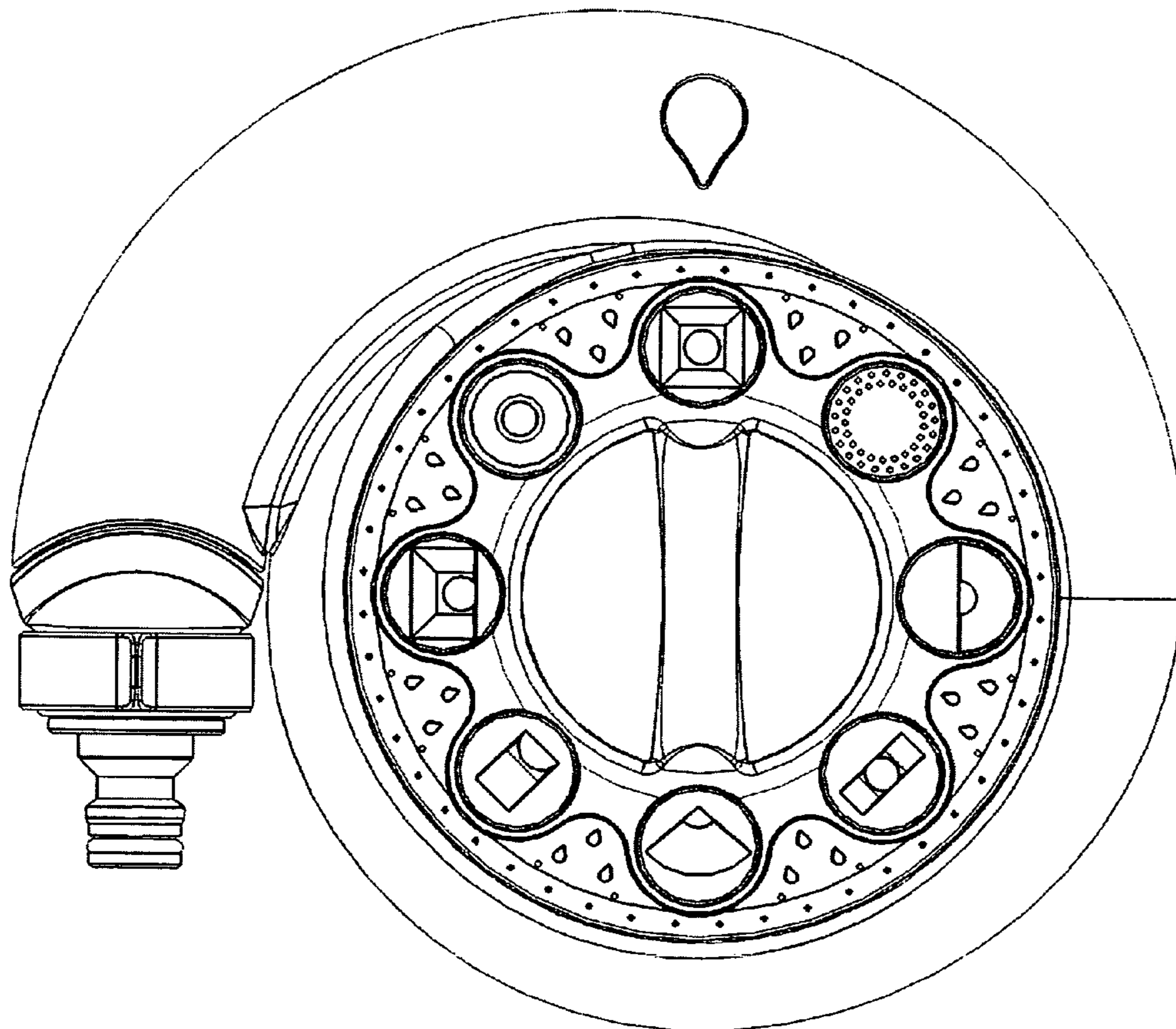
FIG. 7 is a rear elevational view thereof.

(56) **References Cited**

U.S. PATENT DOCUMENTS

2,593,517 A * 4/1952 Angulo 239/19
D182,605 S * 4/1958 Litchfield D23/214
D374,914 S * 10/1996 Wang D23/214
D383,830 S * 9/1997 Guo D23/214
5,746,375 A * 5/1998 Guo 239/245
5,823,431 A * 10/1998 Pierce 239/19

1 Claim, 7 Drawing Sheets



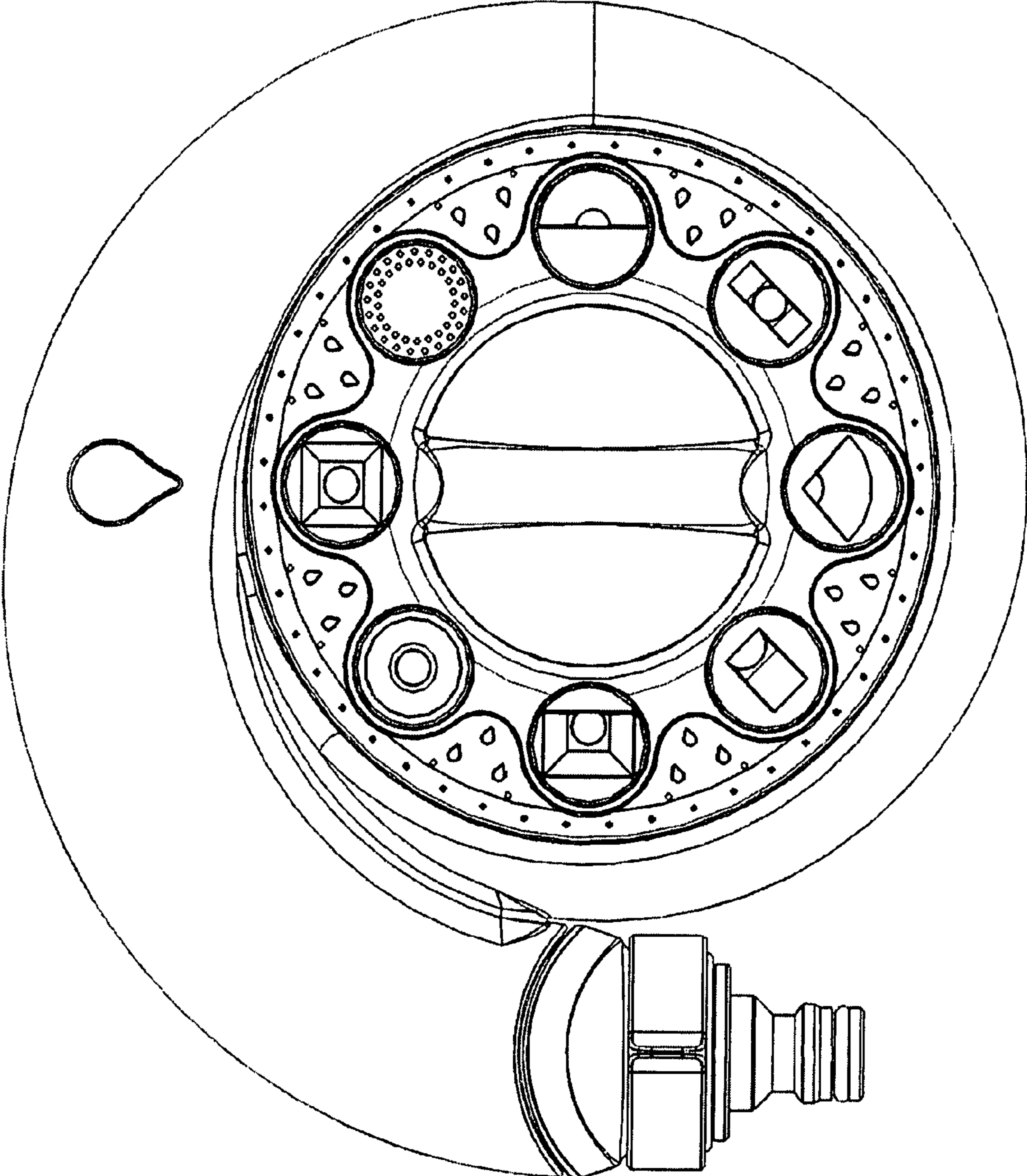


FIG. 1

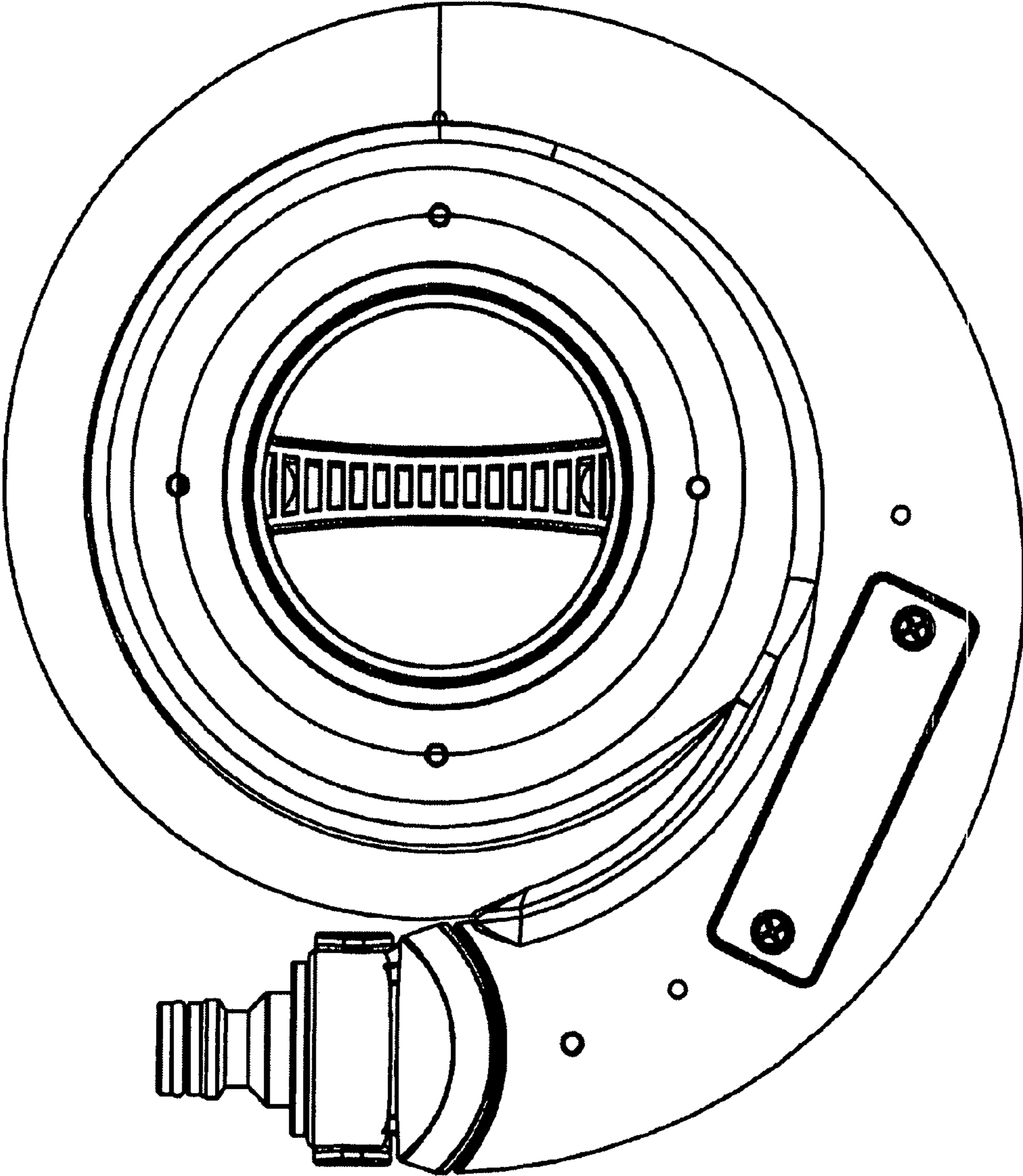


FIG. 2

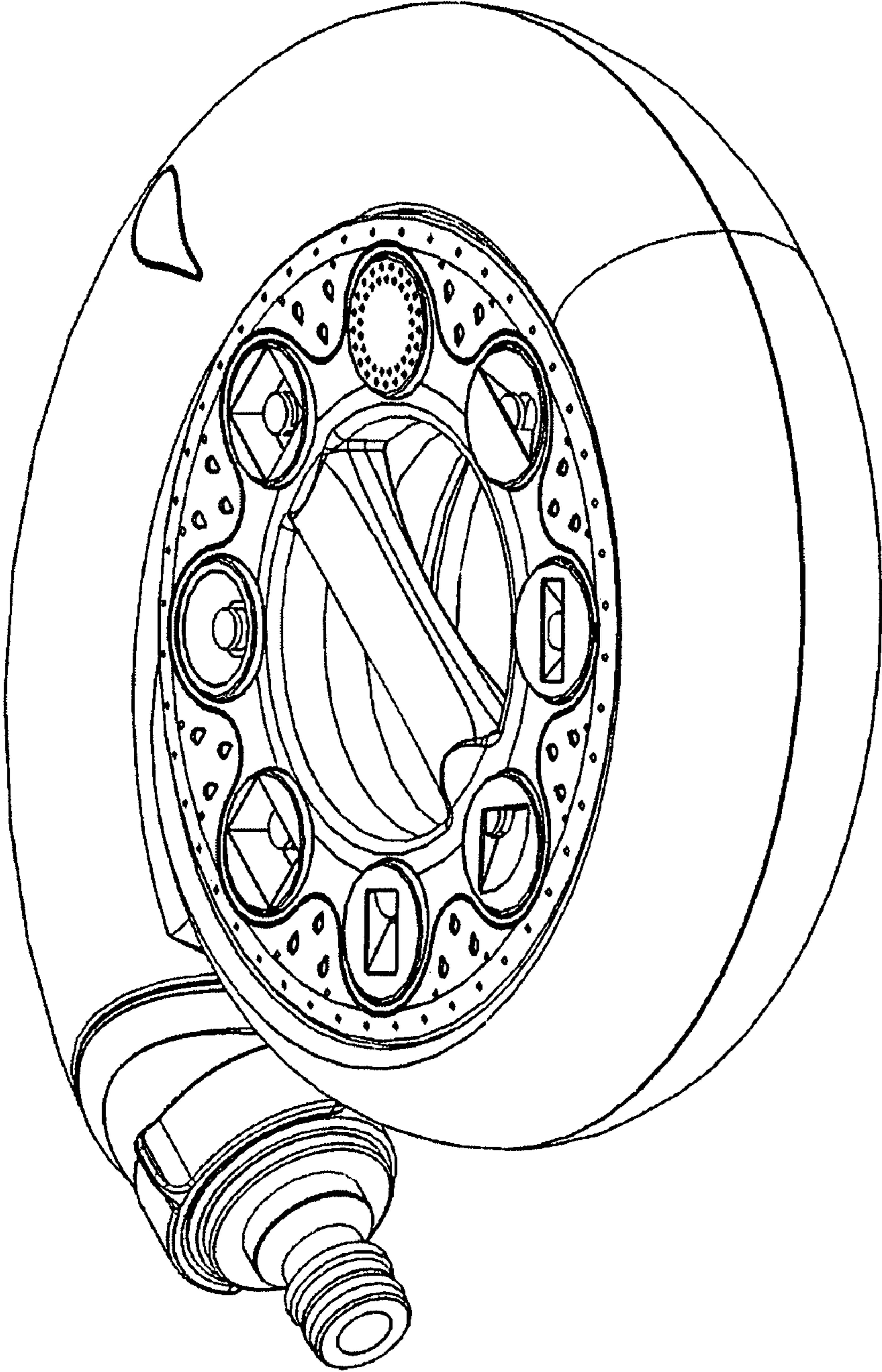


FIG. 3

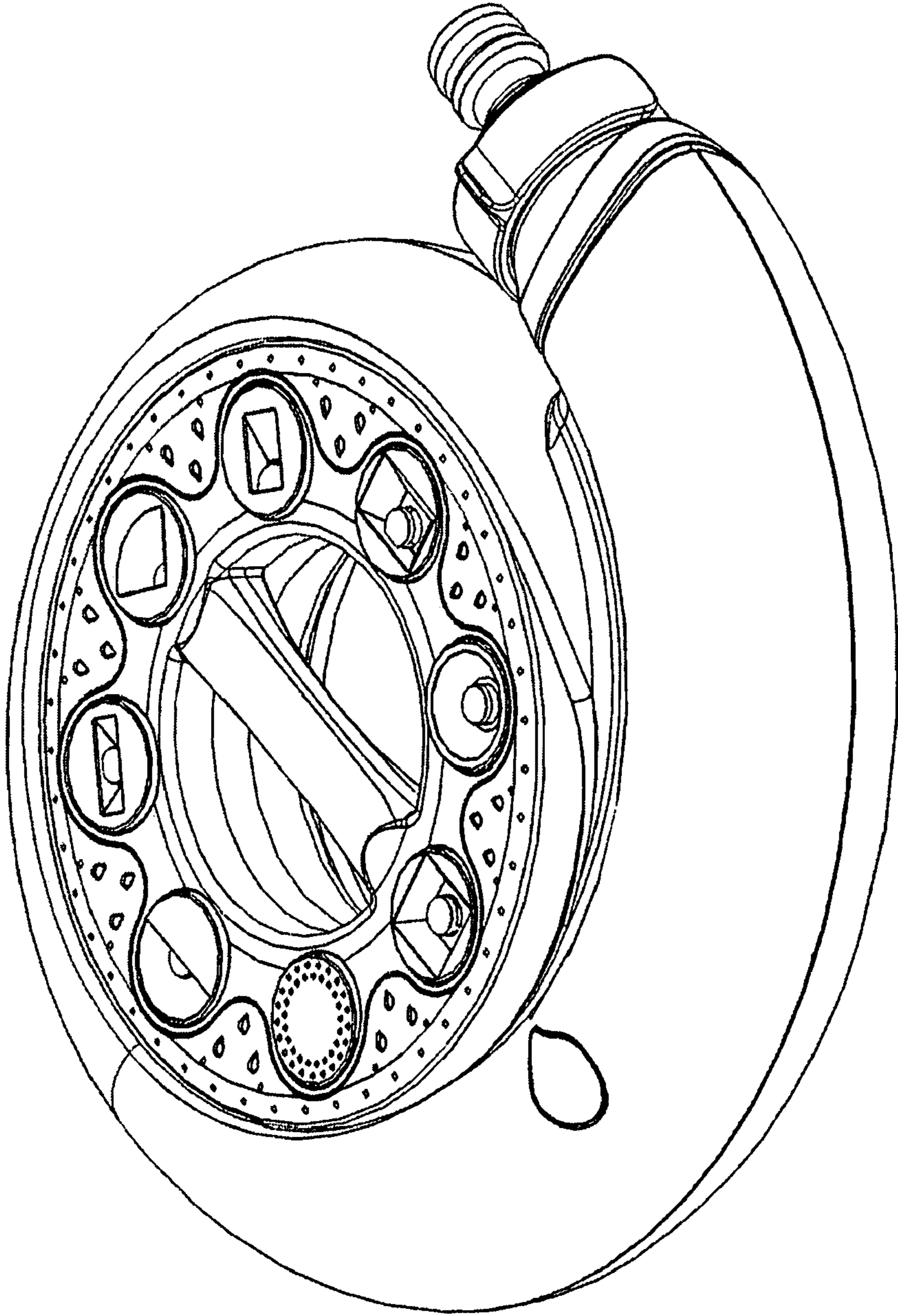


FIG. 4

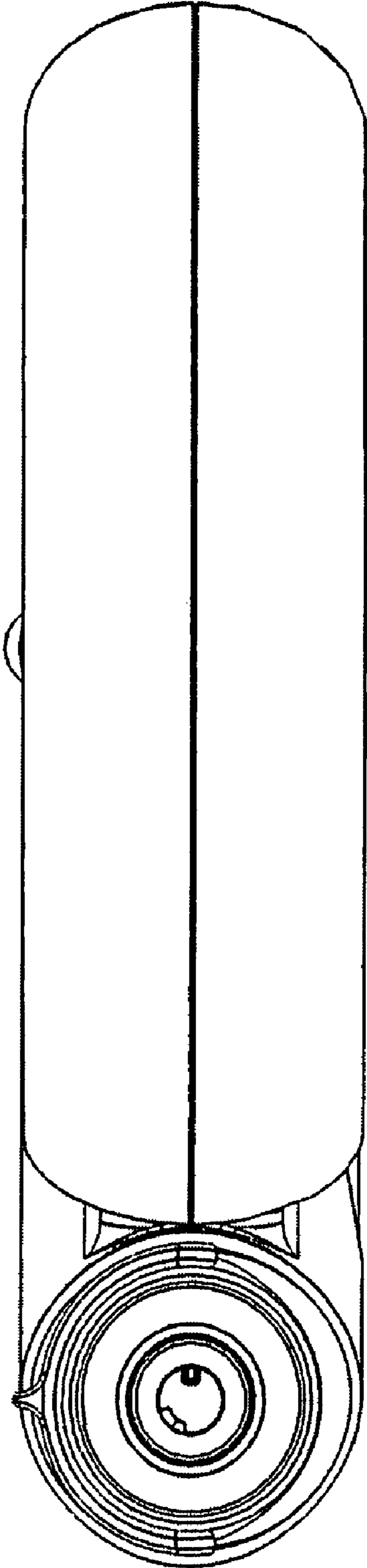


FIG. 5

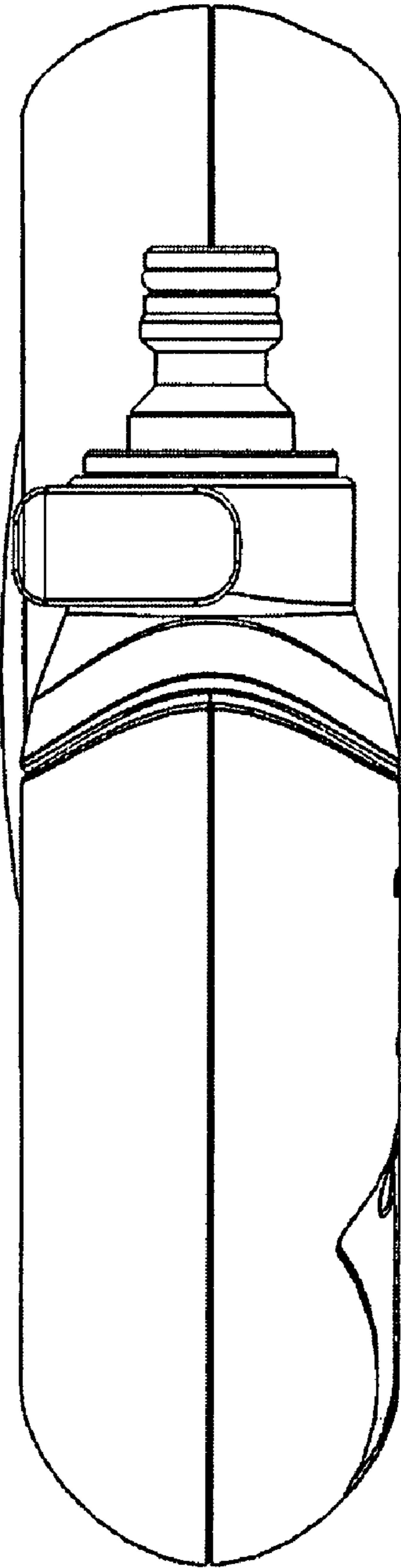


FIG. 6

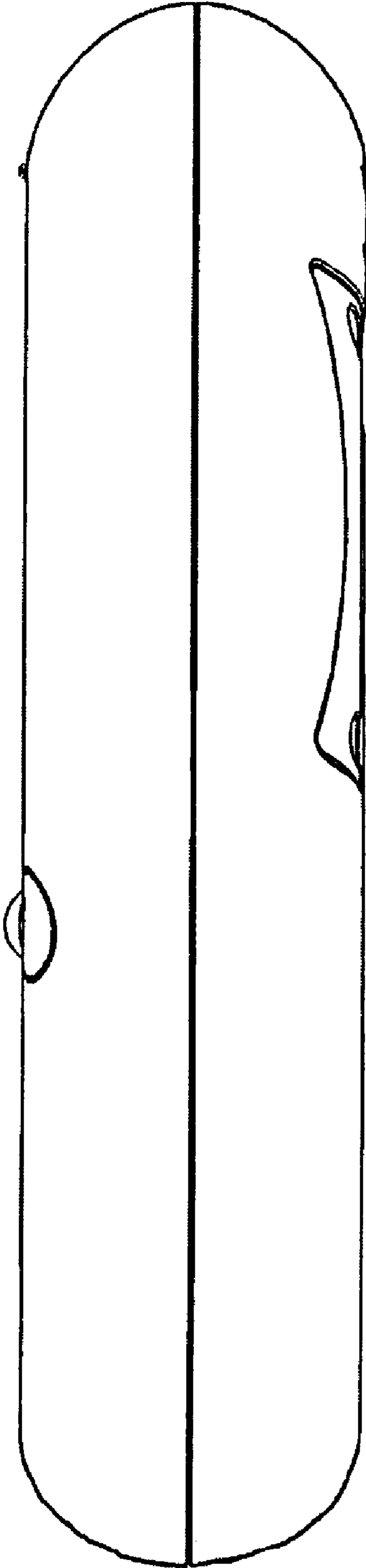


FIG. 7