

US00D582002S

(12) **United States Design Patent**
Suthmann

(10) **Patent No.:** **US D582,002 S**

(45) **Date of Patent:** **** Dec. 2, 2008**

(54) **FILTER HOUSING**

D482,101 S * 11/2003 Rampen et al. D23/209

(75) Inventor: **Michael Suthmann**, Kranzberg (DE)

* cited by examiner

(73) Assignee: **Kaeser Kompressoren GmbH**, Coburg (DE)

Primary Examiner—Robin V Webster

(74) *Attorney, Agent, or Firm*—Jean C. Edwards, Esq.; Akerman Senterfit

(**) Term: **14 Years**

(57) **CLAIM**

(21) Appl. No.: **29/293,995**

I claim the ornamental design for a filter housing, as shown and described.

(22) Filed: **Dec. 20, 2007**

(30) **Foreign Application Priority Data**

DESCRIPTION

Jun. 20, 2007 (EM) 000743216

FIG. 1 is a right side perspective view, front to rear, of a filter housing showing my new design.

(51) **LOC (8) Cl.** **23-01**

(52) **U.S. Cl.** **D23/209**

FIG. 2 is a right side perspective view, rear to front, thereof;

(58) **Field of Classification Search** D23/207, D23/209; 210/459, 446, 460, 456, 282
See application file for complete search history.

FIG. 3 is a right side planar perspective view thereof;

FIG. 4 is a left side view thereof;

FIG. 5 is a right side view thereof;

FIG. 6 is a front view thereof;

FIG. 7 is a rear view thereof;

FIG. 8 is a top view thereof; and,

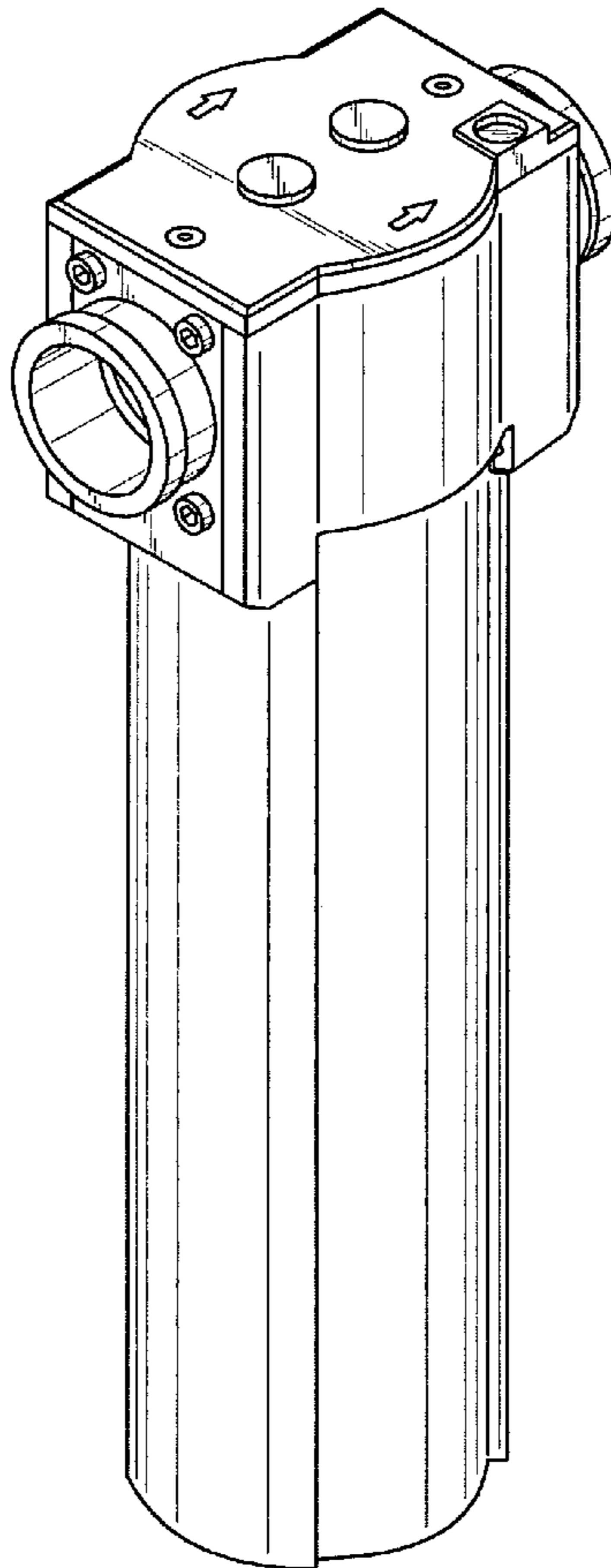
FIG. 9 is a bottom view thereof.

(56) **References Cited**

U.S. PATENT DOCUMENTS

D221,850 S * 9/1971 Anderson D23/209
D374,912 S * 10/1996 Englander D23/209
D481,441 S * 10/2003 Liu D23/209

1 Claim, 6 Drawing Sheets



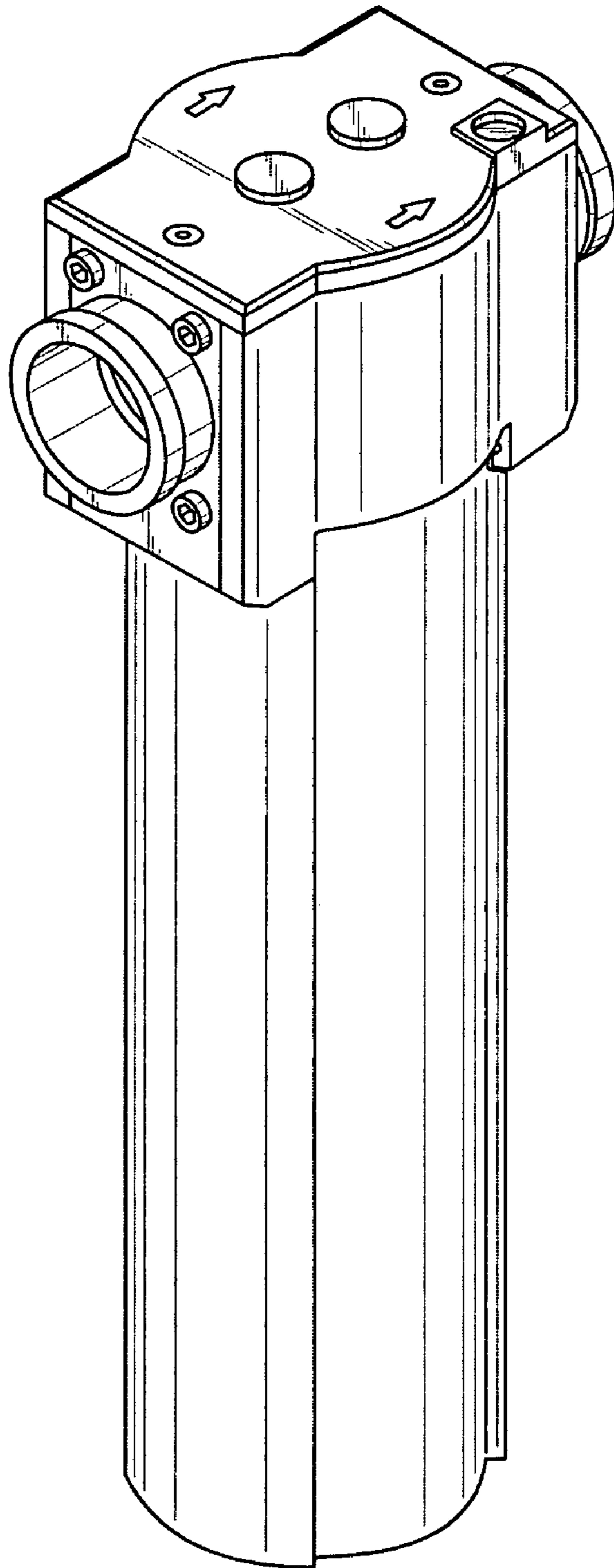


Fig. 1

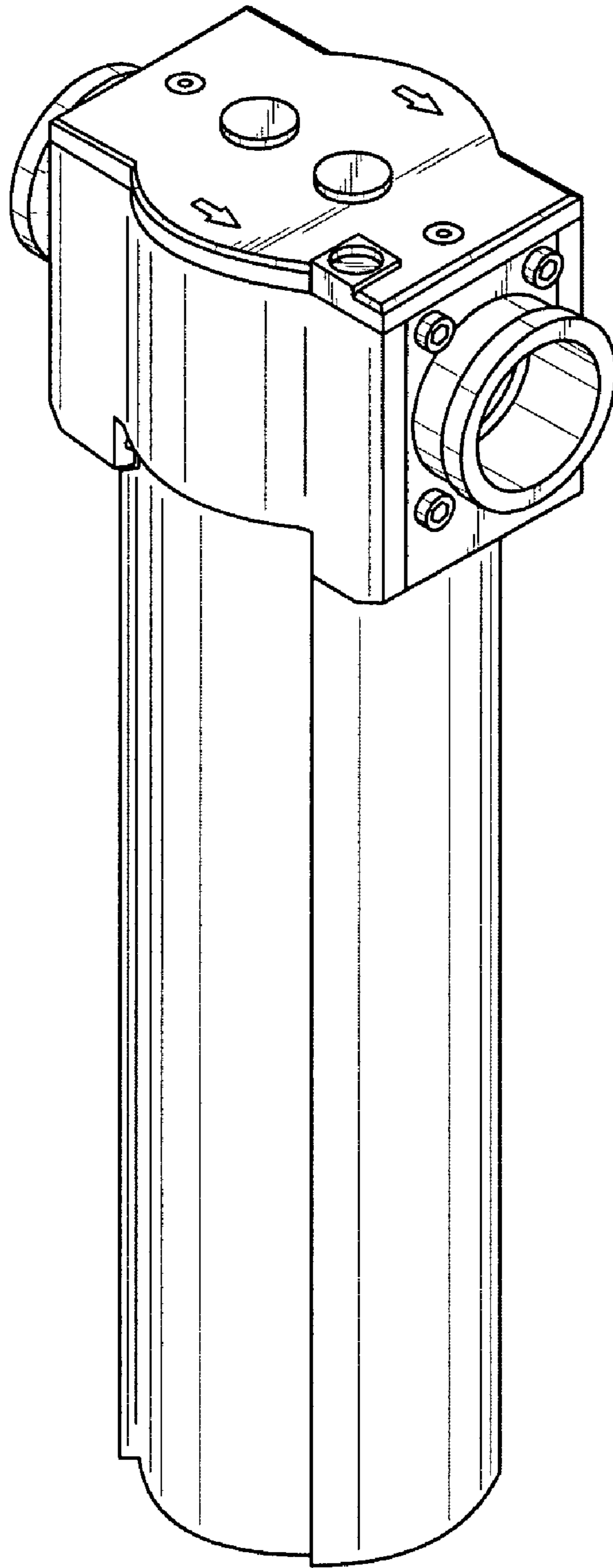


Fig. 2

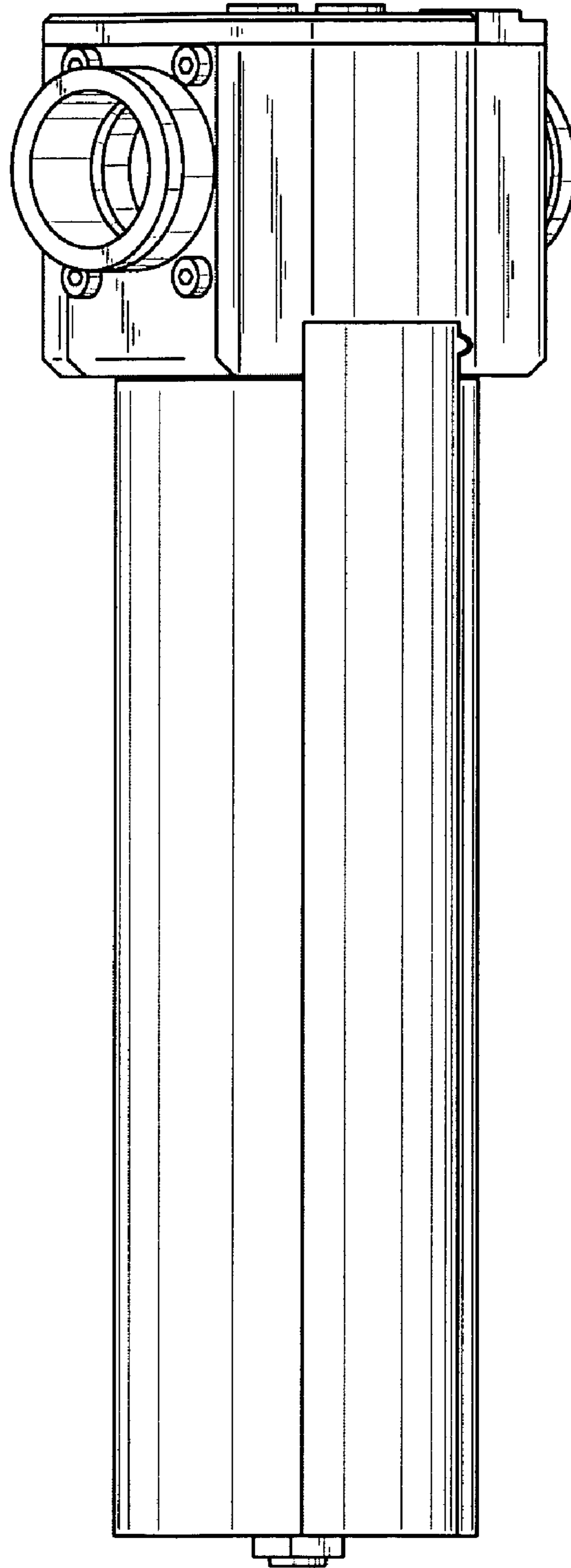


Fig. 3

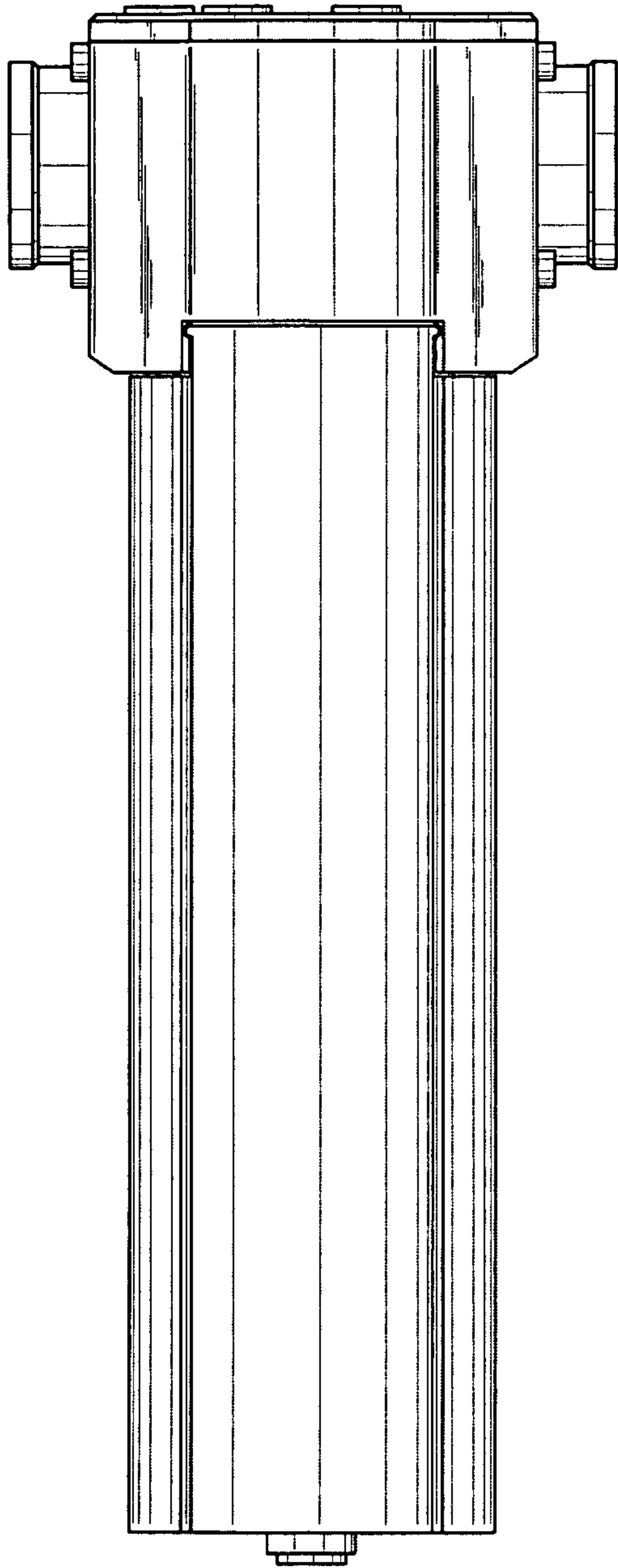


Fig. 4

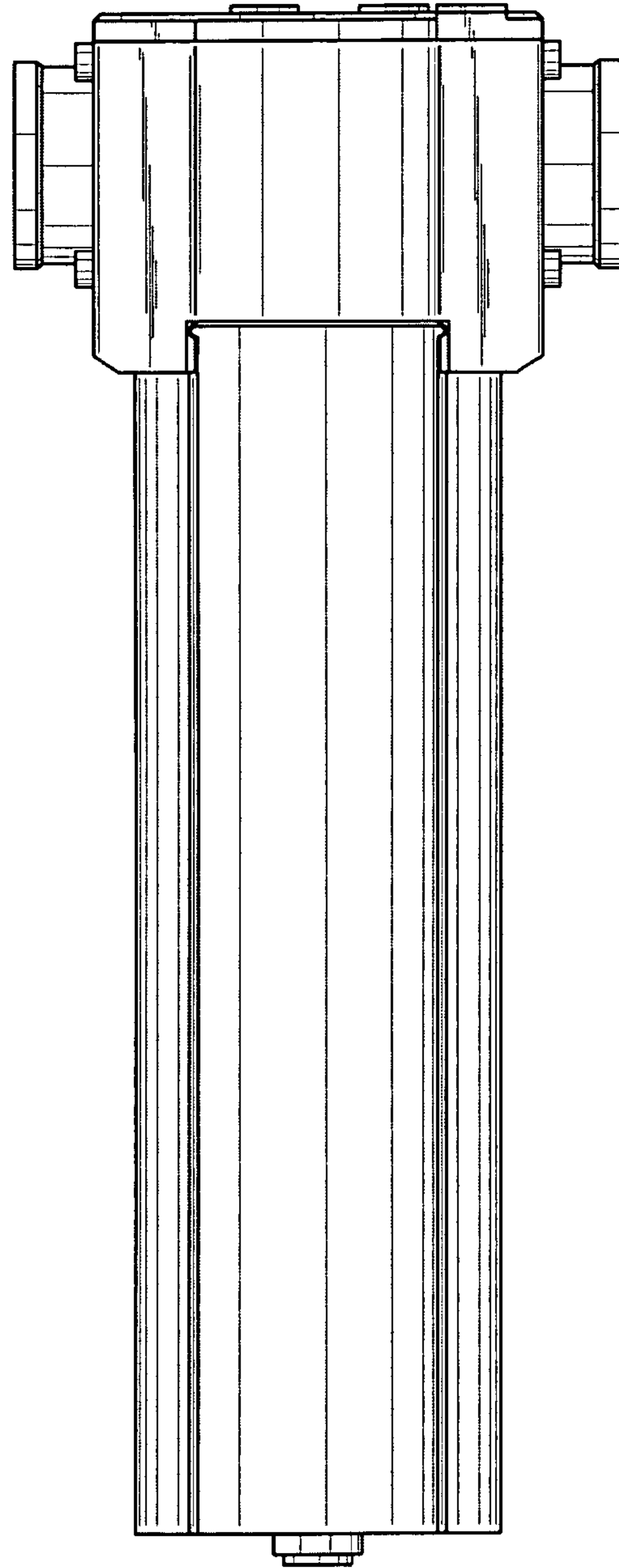


Fig. 5

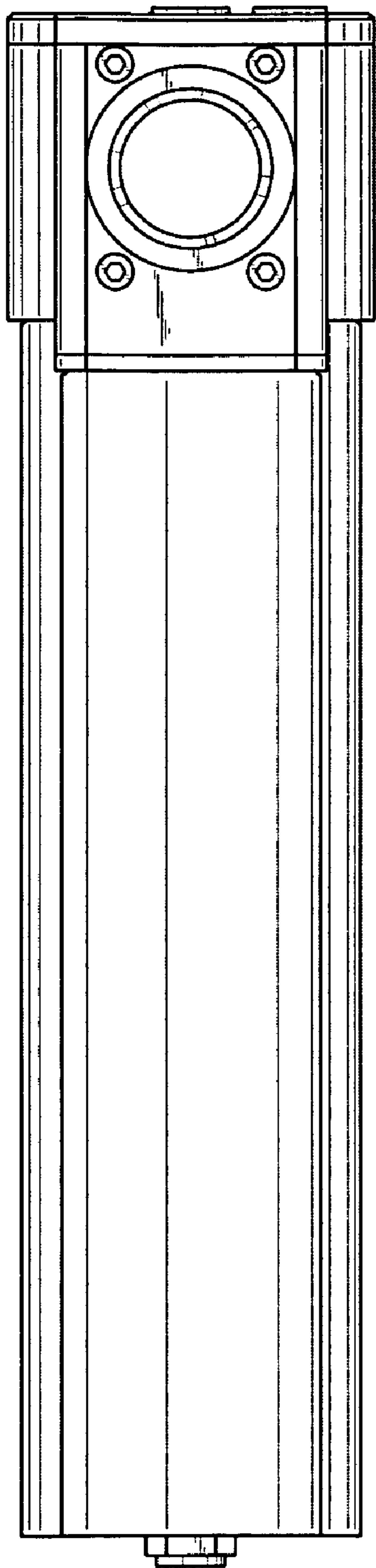


Fig. 6

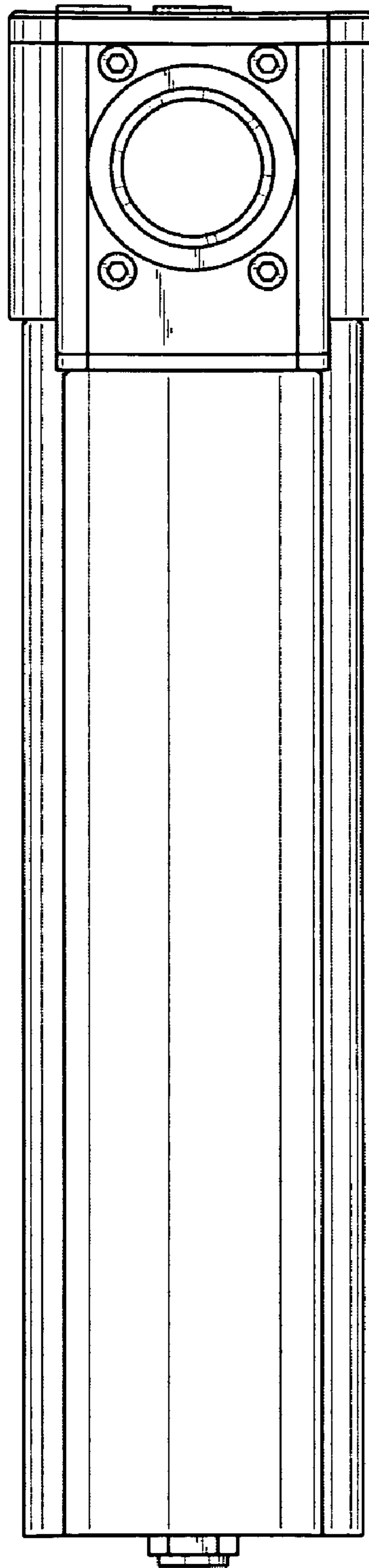


Fig. 7

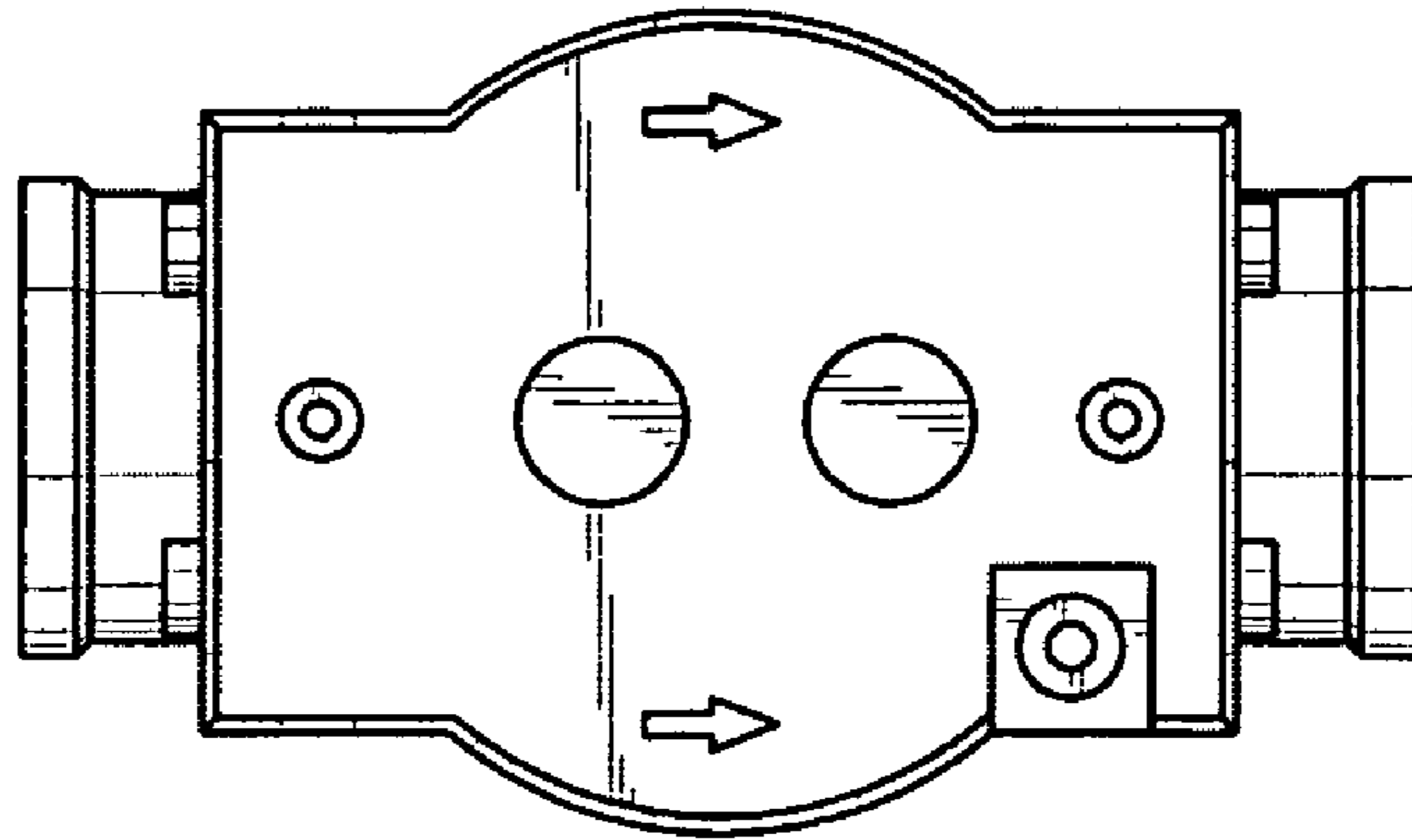


Fig. 8

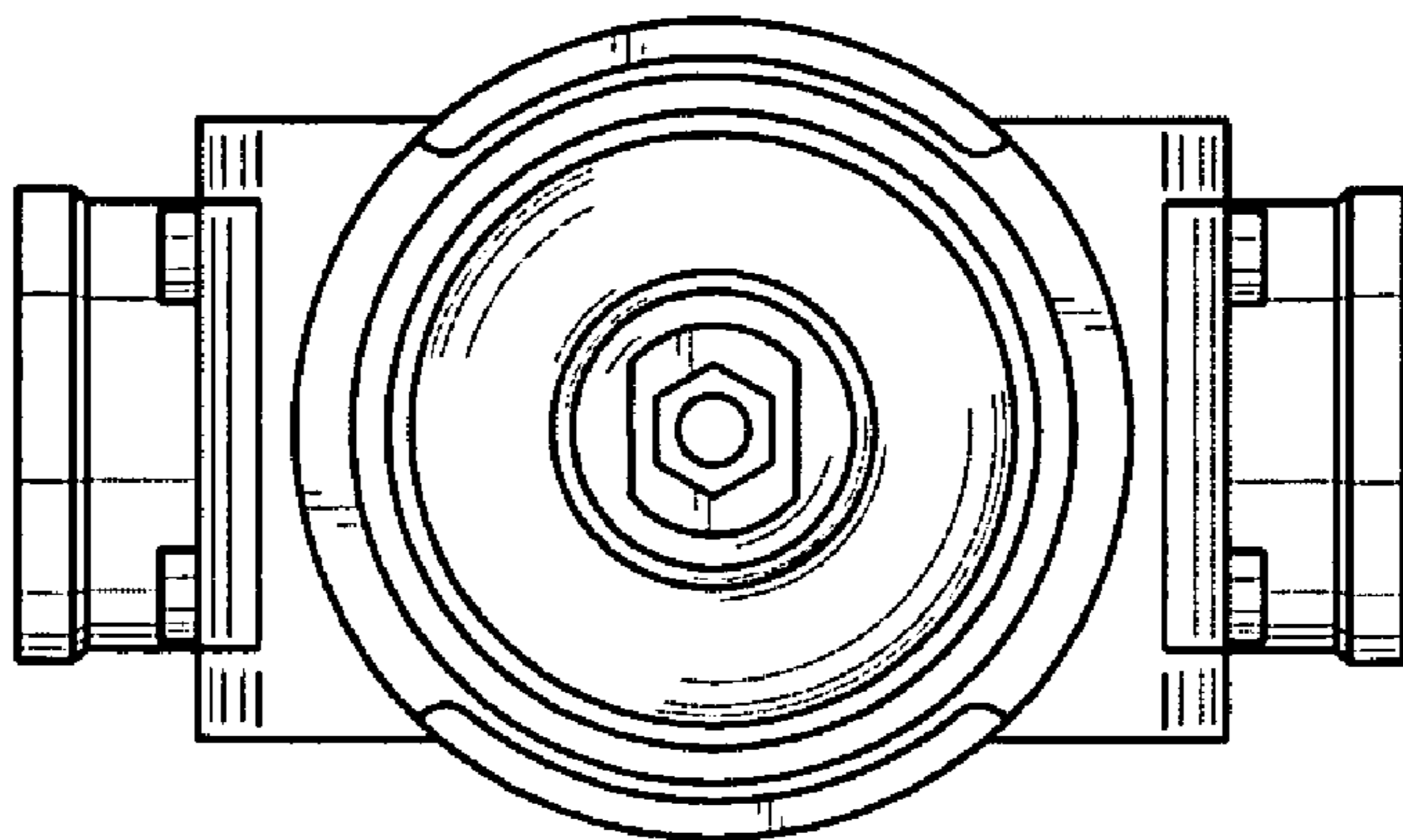


Fig. 9