

US00D582001S

(12) **United States Design Patent**  
**Tierney**

(10) **Patent No.:** **US D582,001 S**  
(45) **Date of Patent:** **\*\* Dec. 2, 2008**

(54) **PORTION OF A LANCE**

(75) Inventor: **Eric P. Tierney**, Crescent, PA (US)

(73) Assignee: **Technological Resources Pty. Limited**,  
Melbourne (AU)

(\*\*) Term: **14 Years**

(21) Appl. No.: **29/270,106**

(22) Filed: **Dec. 15, 2006**

(51) **LOC (8) Cl.** ..... **23-01**

(52) **U.S. Cl.** ..... **D23/209; D22/102**

(58) **Field of Classification Search** ..... D23/207,  
D23/209; D22/102; D21/572; 42/1.14;  
210/497.01, 499

See application file for complete search history.

(56) **References Cited**

**U.S. PATENT DOCUMENTS**

3,145,494	A *	8/1964	Willcox et al. ....	42/1.14
3,383,278	A *	5/1968	Helland .....	162/211
3,494,060	A *	2/1970	Hendricks .....	42/65
4,550,778	A *	11/1985	Sullivan et al. ....	166/234
D404,113	S *	1/1999	Denkewicz et al. ....	D23/209
D414,544	S *	9/1999	Ward et al. ....	D23/209
6,318,564	B1 *	11/2001	Archibald et al. ....	210/448

D463,524	S *	9/2002	Ellis et al. ....	D23/209
D524,611	S *	7/2006	Liu et al. ....	D8/1
7,210,584	B2 *	5/2007	Wnuk et al. ....	210/484
D544,070	S *	6/2007	Flor et al. ....	D23/209

\* cited by examiner

*Primary Examiner*—Robin V Webster

(74) *Attorney, Agent, or Firm*—Finnegan, Henderson,  
Farabow, Garrett and Dunner, L.L.P.

(57) **CLAIM**

The ornamental design for the portion of a lance, as shown  
and described.

**DESCRIPTION**

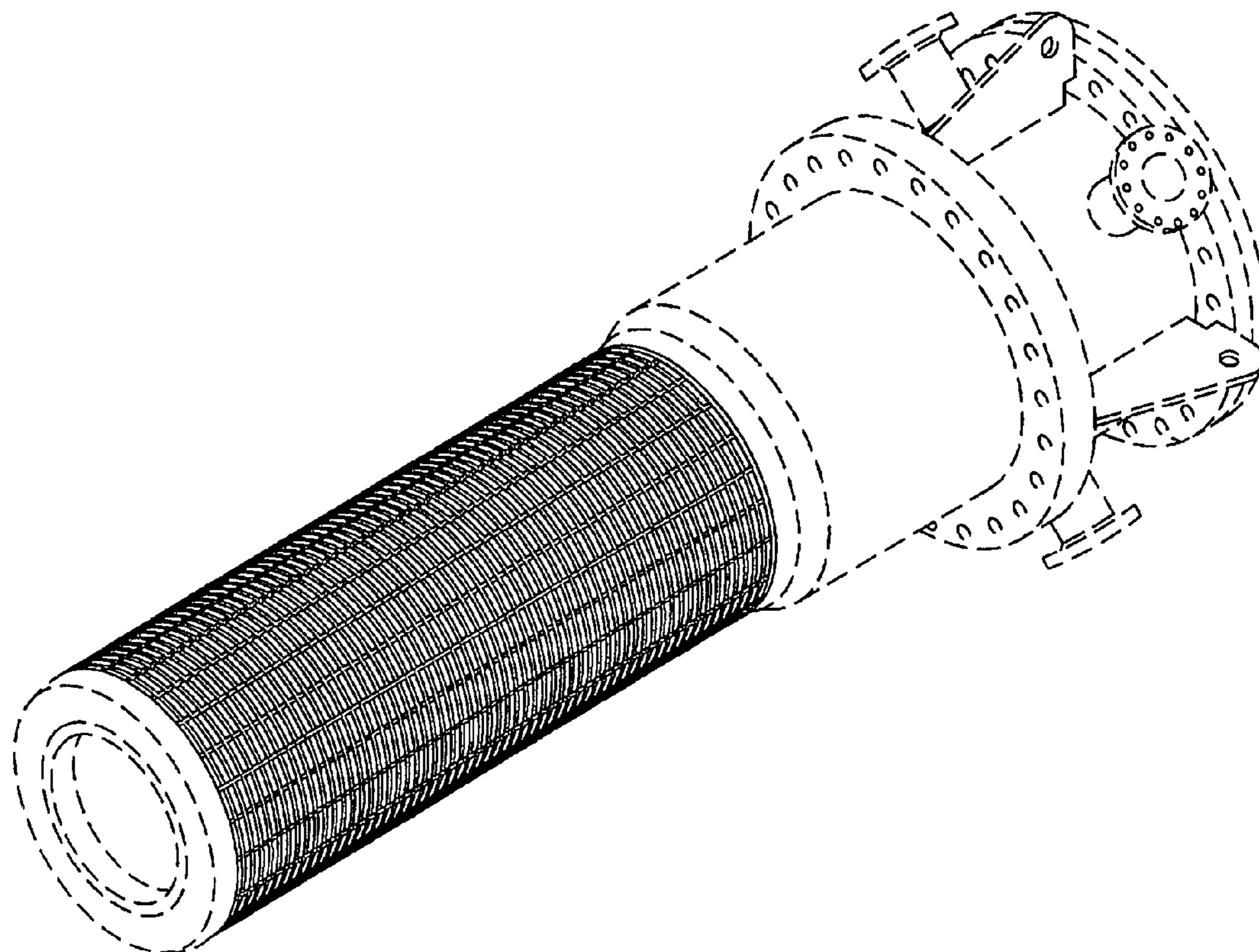
FIG. 1 is an perspective view of a lance that has a portion of  
a lance in accordance with my new design;

FIG. 2 is a first side view thereof, the portion of the remaining  
sides not depicted in broken lines, being identical thereto;  
and,

FIG. 3 is a view of detail A of the portion of the lance shown  
in FIG. 2.

The portions of the lance shown in broken lines are for illus-  
trative purposes only, and form no part of the claimed design.

**1 Claim, 3 Drawing Sheets**



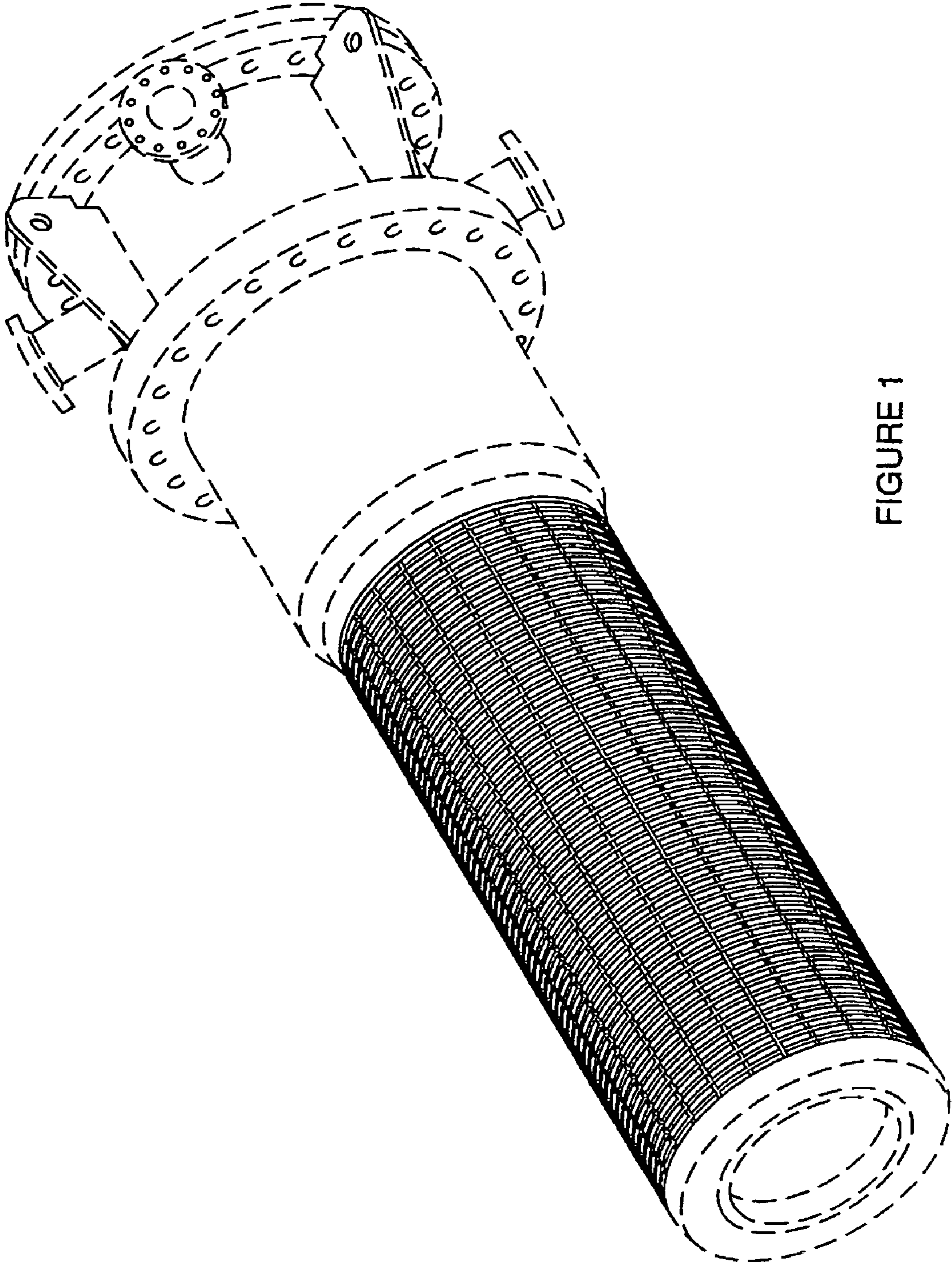


FIGURE 1

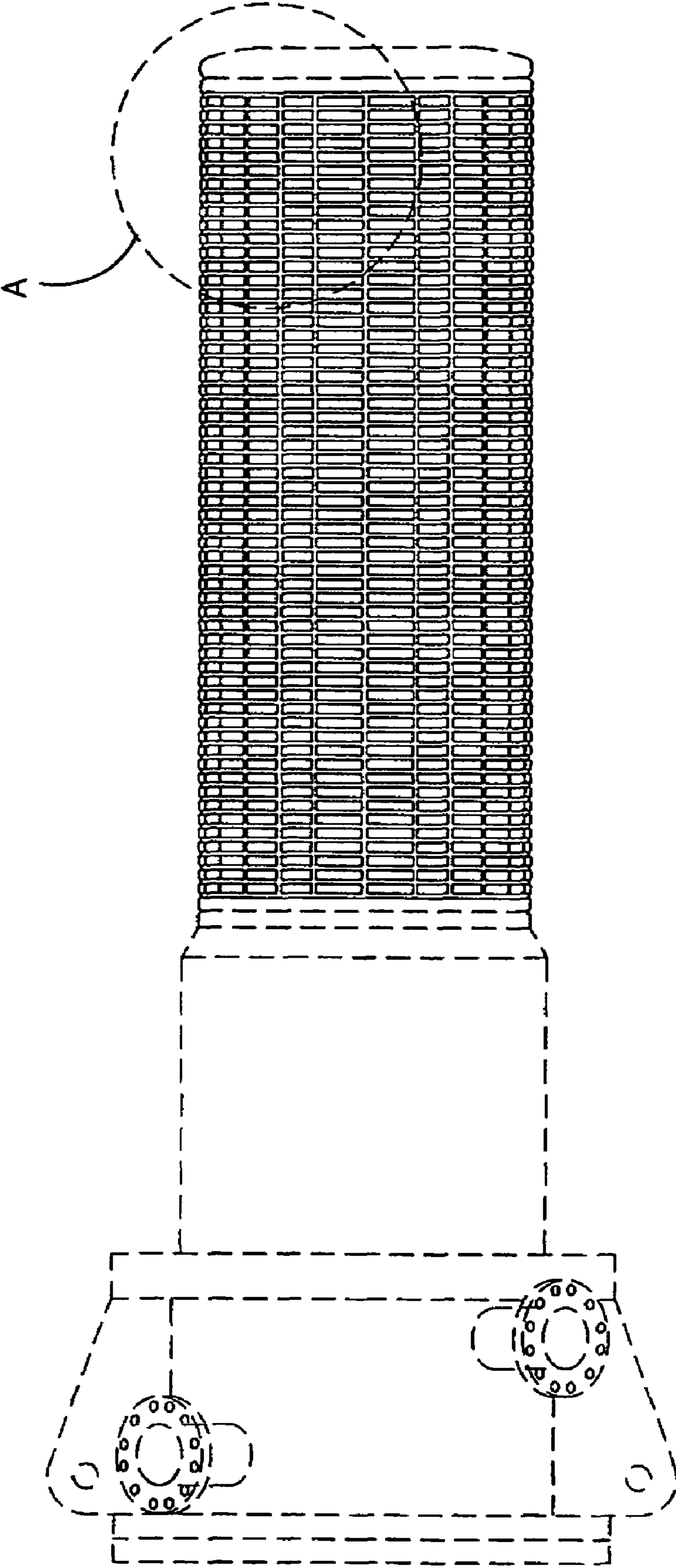


FIGURE 2

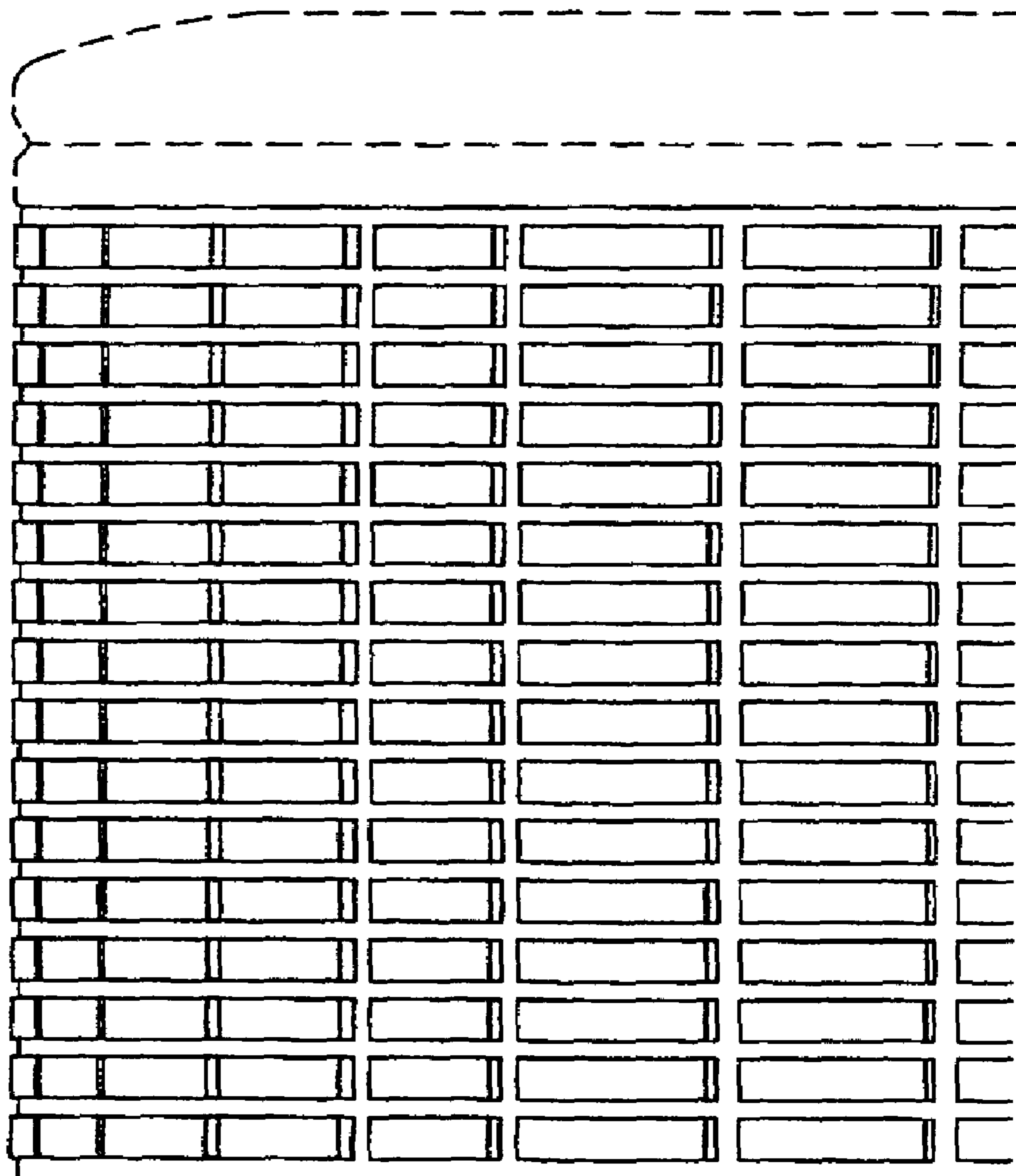


FIGURE 3