



US00D581996S

(12) **United States Design Patent**
Teeter et al.

(10) **Patent No.:** **US D581,996 S**
(45) **Date of Patent:** **** Dec. 2, 2008**

(54) **TILTING INVERSION EXERCISE TABLE**

7,112,167 B2 * 9/2006 Kim 482/145
7,118,518 B1 * 10/2006 Teeter 482/144
7,125,372 B1 * 10/2006 Teeter et al. 482/144

(76) Inventors: **Roger C. Teeter**, 20720 Snag Island Dr.,
Sumner, WA (US) 98390; **Lopin Wang**,
16F-2, No. 62, Sec. 2, Chonder 2nd
Road, Beitun Chu, Taichung 40652 (TW)

* cited by examiner

Primary Examiner—Philip S Hyder

(74) *Attorney, Agent, or Firm*—Charles E. Baxley

(**) Term: **14 Years**

(21) Appl. No.: **29/293,418**

(57) **CLAIM**

(22) Filed: **Nov. 21, 2007**

The ornamental design for a tilting inversion exercise table, as shown and described.

(51) **LOC (8) Cl.** **21-02**

(52) **U.S. Cl.** **D21/694; D21/690**

(58) **Field of Classification Search** D21/662,
D21/686, 690, 694; D6/501, 502, 503; D24/183,
D24/190, 201; 482/144, 145
See application file for complete search history.

DESCRIPTION

FIG. 1 is a perspective view of a tilting inversion exercise table showing my new design;

FIG. 2 is a front elevational view thereof;

FIG. 3 is a rear elevational view thereof;

FIG. 4 is a top plan view thereof;

FIG. 5 is a bottom plan view thereof;

FIG. 6 is a left side elevational view thereof; and

FIG. 7 is a right side elevational view thereof; and,

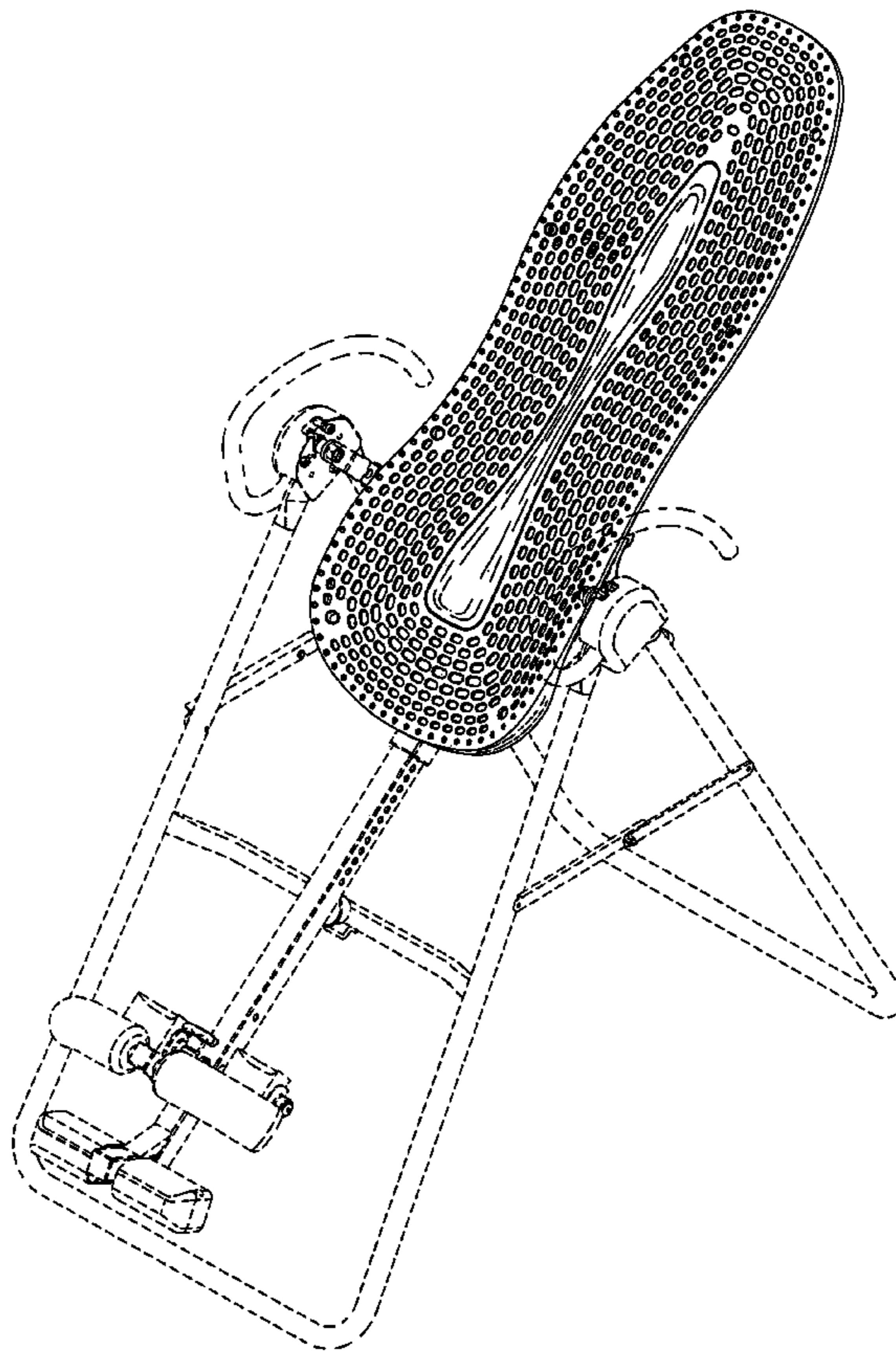
FIG. 8 is a perspective view thereof, the base support depicted by means of broken lines being for environmental purposes only and forming no part of the claimed design.

(56) **References Cited**

U.S. PATENT DOCUMENTS

3,286,708	A *	11/1966	Gartner	601/5
4,232,662	A *	11/1980	Barber	482/144
D273,983	S *	5/1984	McGowen	D24/183
D280,537	S *	9/1985	Law	D21/688
D280,842	S *	10/1985	Miller	D21/688
6,149,560	A *	11/2000	Kim	482/145
D460,300	S *	7/2002	Fifield et al.	D6/502
D471,042	S *	3/2003	Nicolai et al.	D6/502

1 Claim, 6 Drawing Sheets



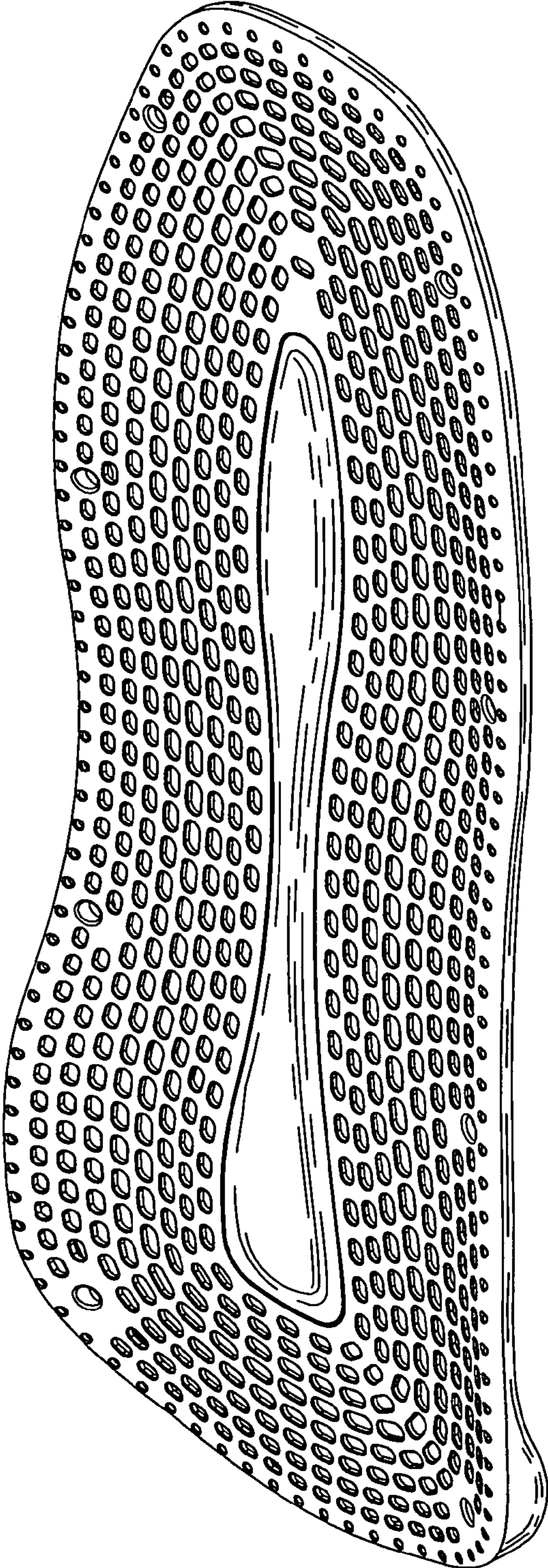


FIG. 1

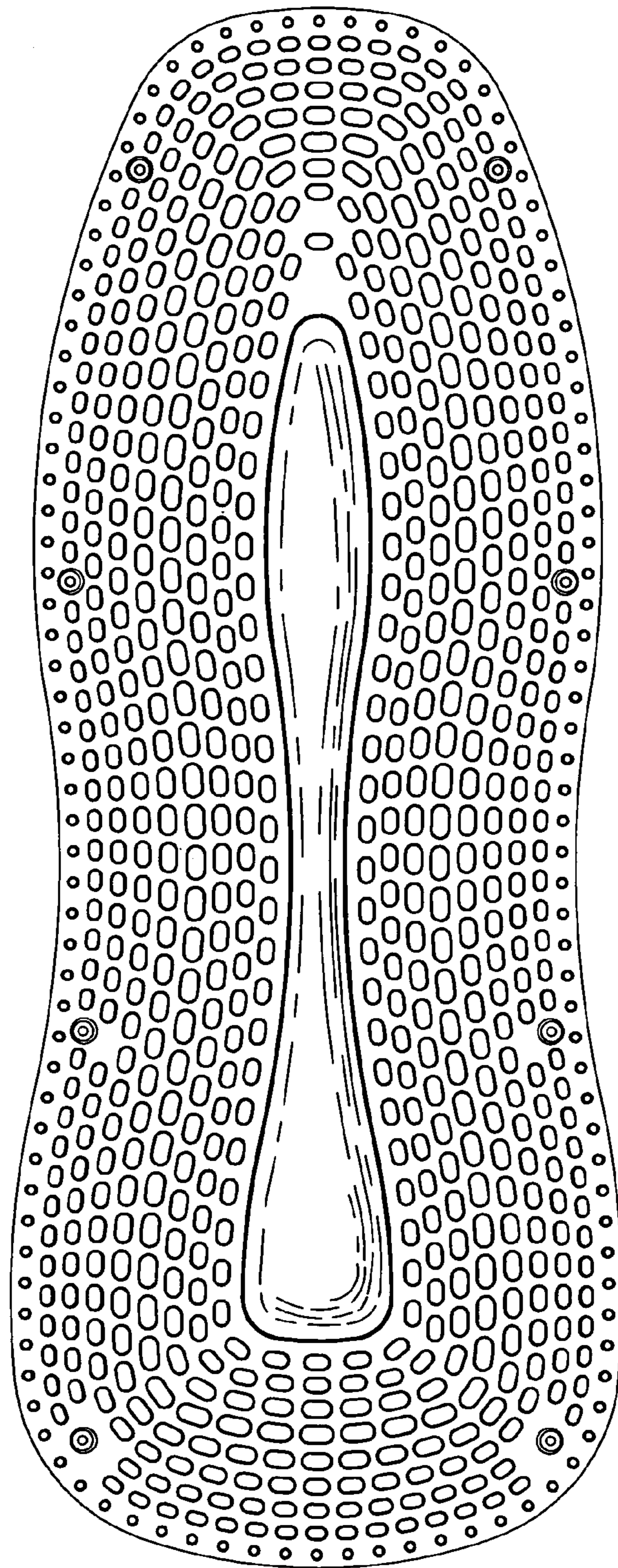


FIG. 2

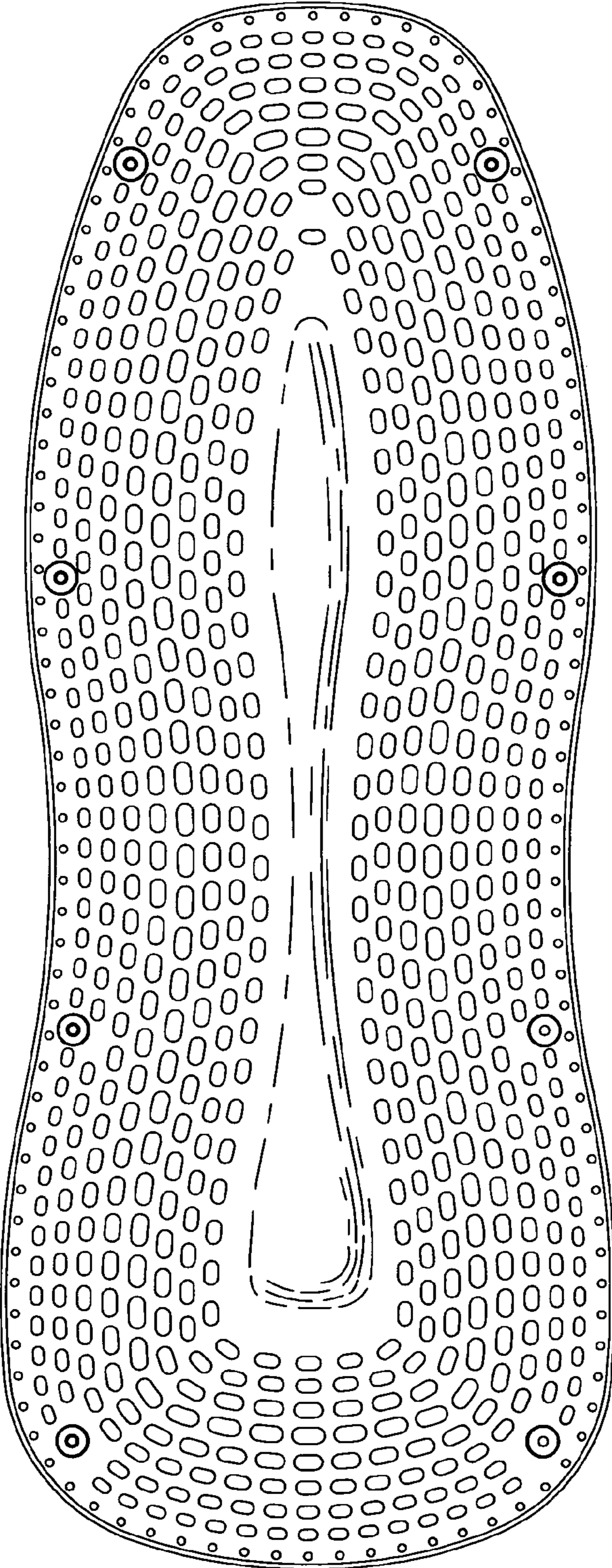


FIG. 3



FIG. 4



FIG. 5

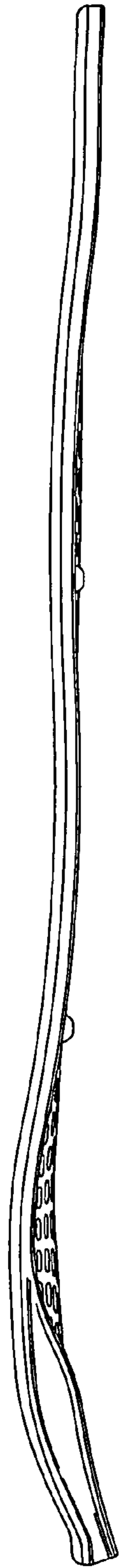


FIG. 6

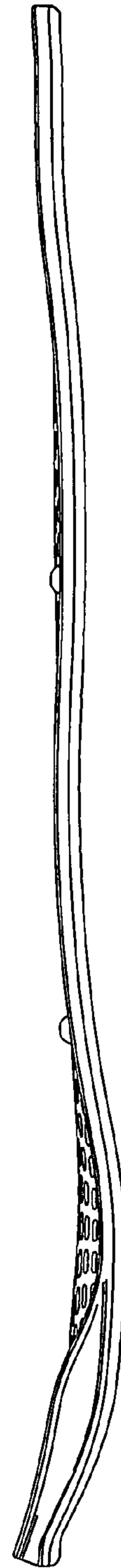


FIG. 7

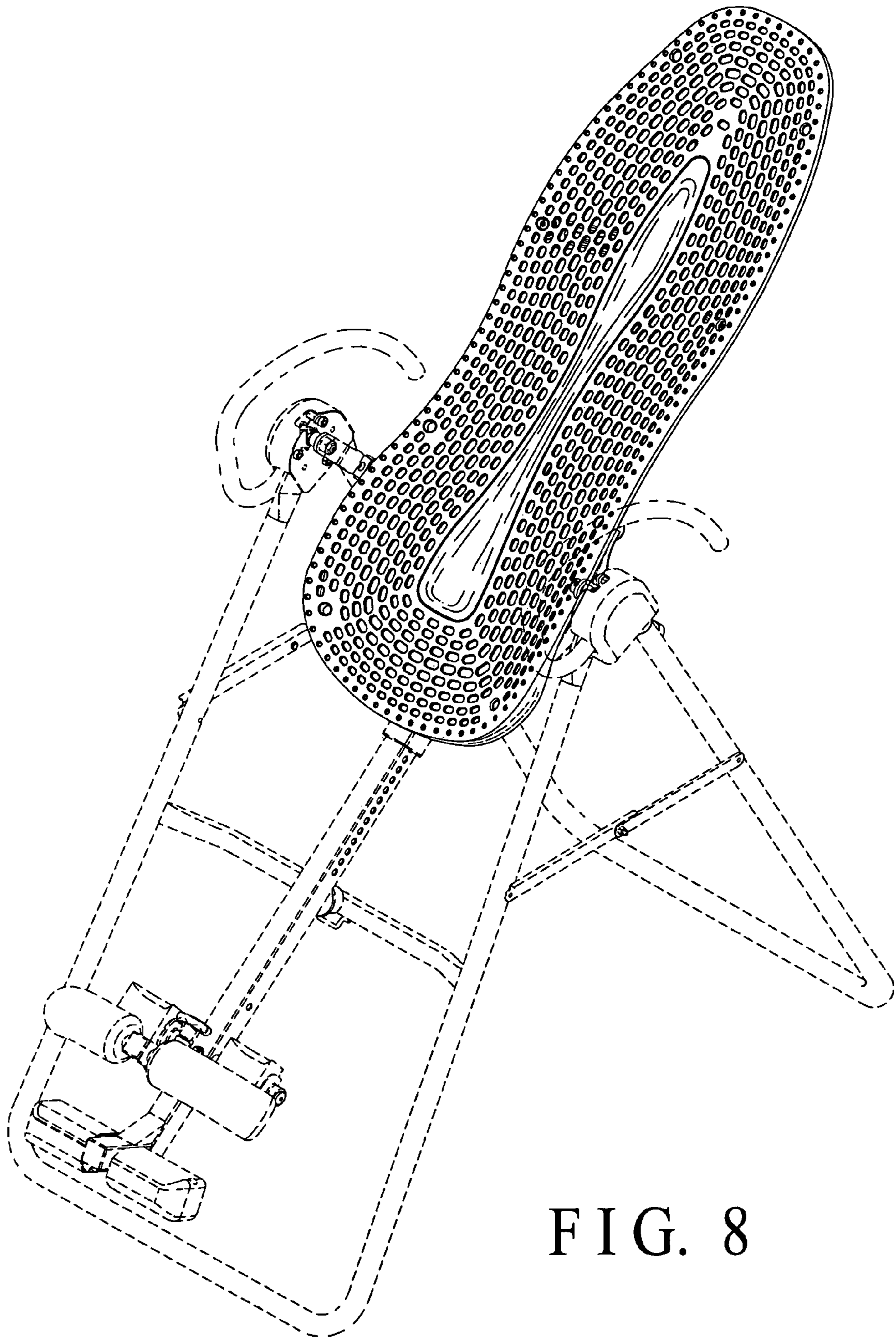


FIG. 8