



US00D581993S

(12) **United States Design Patent**
Glickman et al.

(10) **Patent No.:** **US D581,993 S**

(45) **Date of Patent:** **** Dec. 2, 2008**

(54) **CONSTRUCTION TOY COMPONENT**

(75) Inventors: **Joel Glickman**, Jupiter, FL (US);
Matthias F. W. Doepner, Harleysville,
PA (US); **Mark McCormick**,
Coopersburg, PA (US); **Michael Klitsch**,
Quakertown, PA (US)

(73) Assignee: **K'Nex Limited Partnership Group**,
Hatfield, PA (US)

(**) Term: **14 Years**

(21) Appl. No.: **29/299,696**

(22) Filed: **Jan. 2, 2008**

Related U.S. Application Data

(62) Division of application No. 29/278,873, filed on Apr.
12, 2007.

(51) **LOC (8) Cl.** **21-01**

(52) **U.S. Cl.** **D21/486**

(58) **Field of Classification Search** D21/484-505;
D25/113-118; 273/153, 156; 446/69, 85,
446/102-128; 434/259

See application file for complete search history.

(56) **References Cited**

U.S. PATENT DOCUMENTS

2,810,233 A * 10/1957 Gert 446/126

D308,706 S * 6/1990 Mikkelsen D21/486
D356,123 S * 3/1995 Glynn D21/486
D372,055 S * 7/1996 Hrsel D21/487
D409,257 S * 5/1999 Toft D21/487
2004/0077256 A1 * 4/2004 Laferrera 446/85

* cited by examiner

Primary Examiner—Holly H. Baynham

Assistant Examiner—Cynthia M Chin

(74) *Attorney, Agent, or Firm*—Schweitzer Cornman Gross &
Bondell LLP

(57) **CLAIM**

The ornamental design for a construction toy component, as
shown and described.

DESCRIPTION

FIG. 1 is an end elevation view of the construction toy com-
ponent, the other end being identical;

FIG. 2 is a top perspective view of the construction toy com-
ponent of FIG. 1;

FIG. 3 is a side elevation view of the construction toy com-
ponent of FIG. 1, the other side being identical; and,

FIG. 4 is a top plan view of the construction toy component of
FIG. 1.

The bottom forms no part of the claimed design.

1 Claim, 2 Drawing Sheets

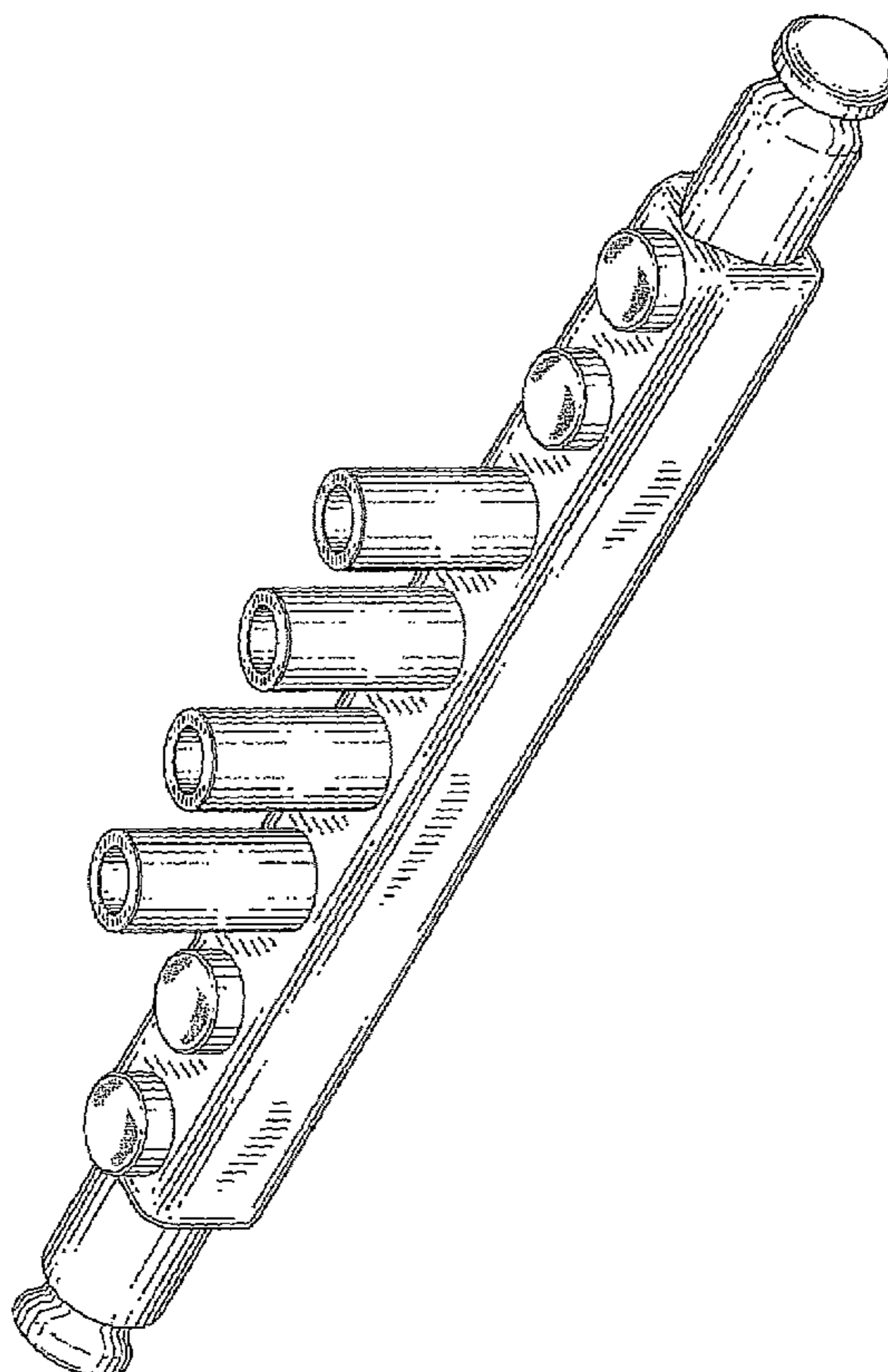


FIG. 1

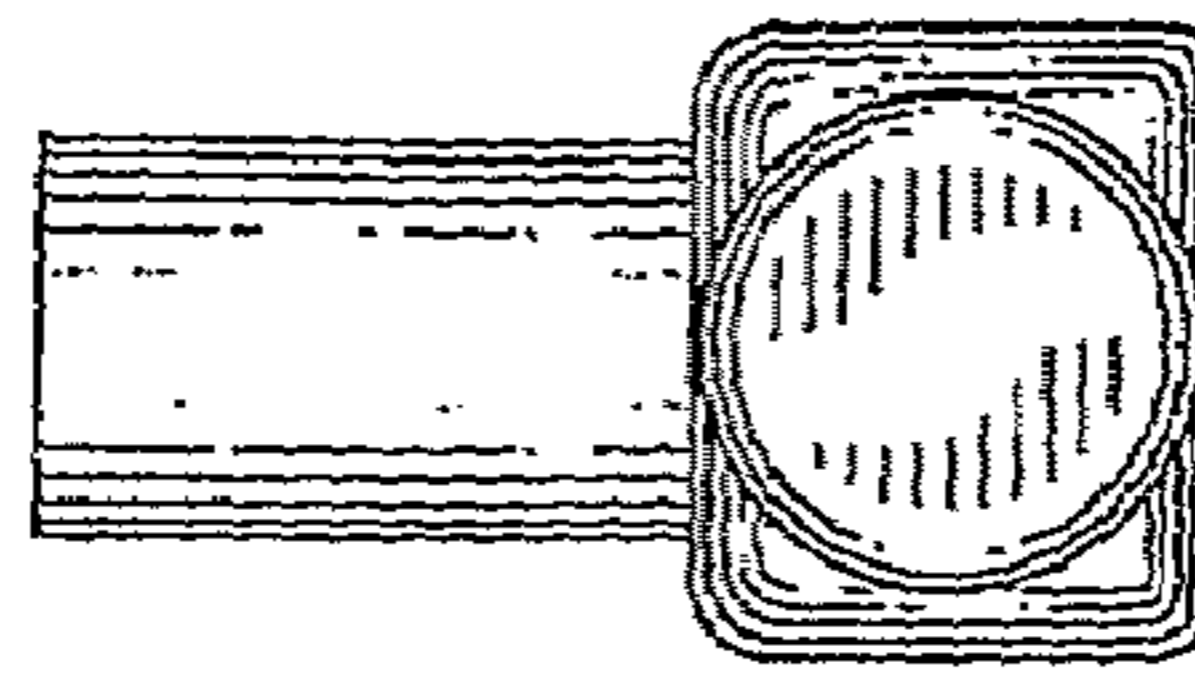


FIG. 2

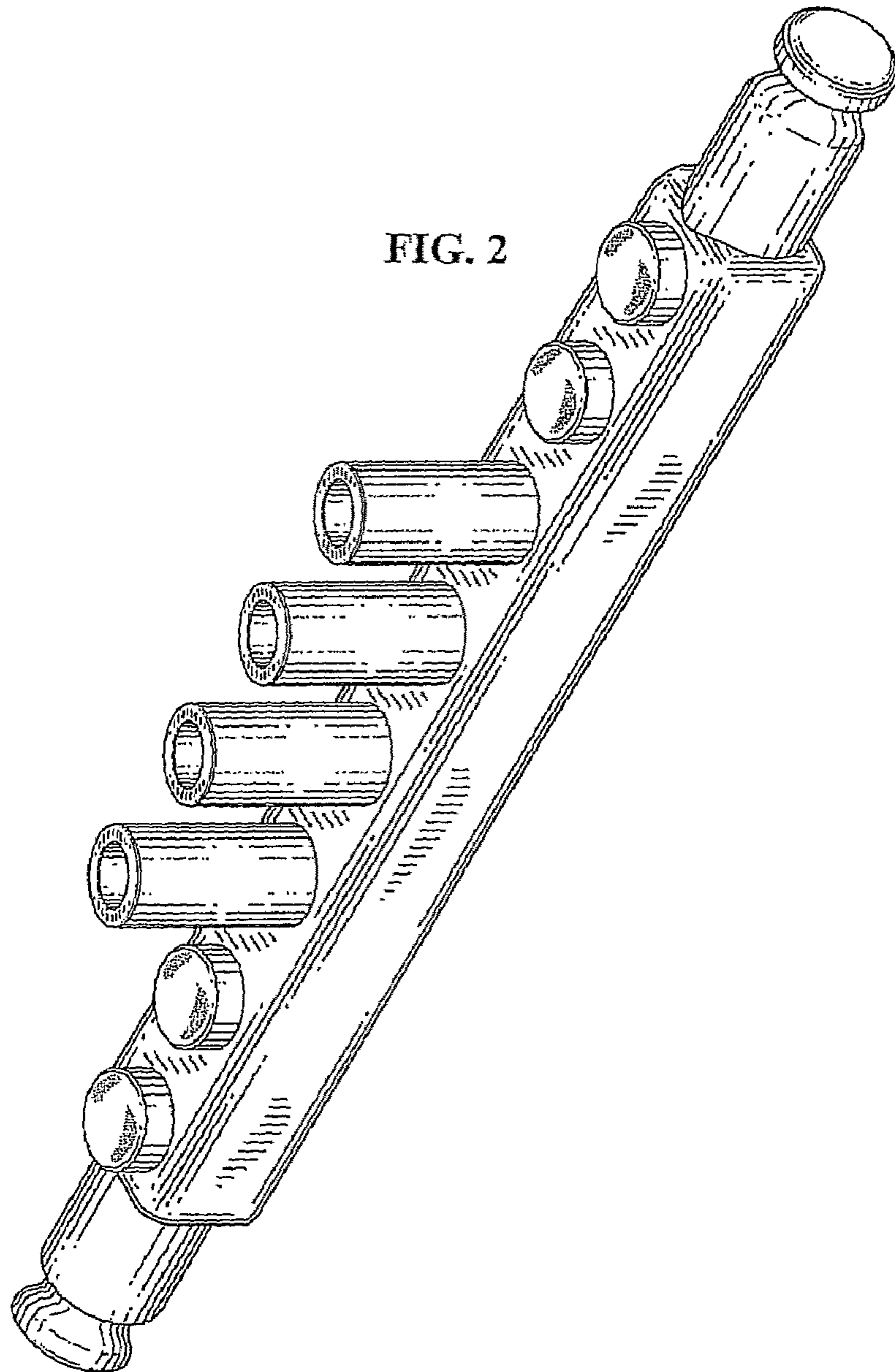


FIG. 3

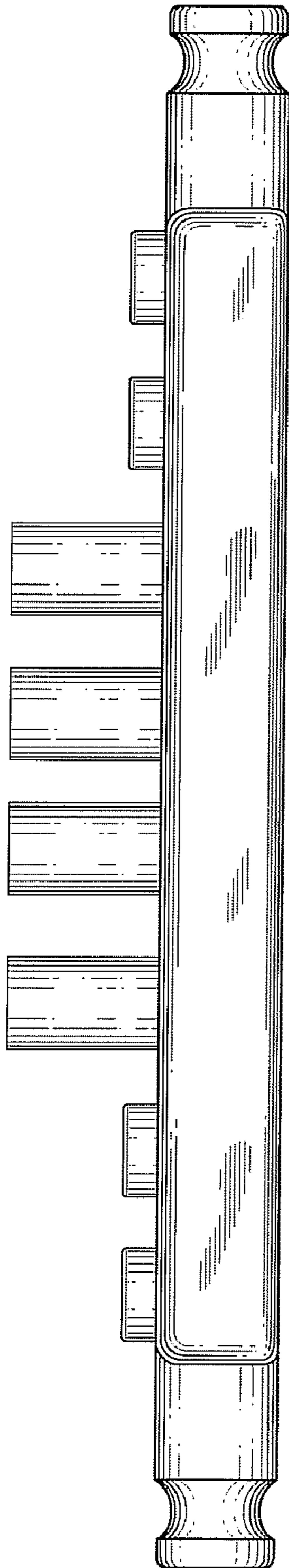


FIG. 4

