



US00D581990S

(12) **United States Design Patent**
Streeter et al.

(10) **Patent No.:** **US D581,990 S**
(45) **Date of Patent:** **** Dec. 2, 2008**

(54) **GAME DEVICE**

(75) Inventors: **Gary R. Streeter**, Andover, MA (US);
Kenneth E. Irwin, Jr., Dawsonville, GA (US)

(73) Assignee: **Scientific Games International, Inc.**,
Alpharetta, GA (US)

(**) Term: **14 Years**

(21) Appl. No.: **29/291,407**

(22) Filed: **Aug. 28, 2007**

(51) **LOC (8) Cl.** **21-03**

(52) **U.S. Cl.** **D21/369**

(58) **Field of Classification Search** D21/324,
D21/369, 371, 385, 396; D14/385; 463/17
See application file for complete search history.

(56) **References Cited**

U.S. PATENT DOCUMENTS

D422,976 S * 4/2000 Su D14/385
D467,921 S * 12/2002 Lin D14/385
D539,799 S * 4/2007 Liang D14/385

* cited by examiner

Primary Examiner—Sandra Morris

(74) *Attorney, Agent, or Firm*—Dority & Manning, P.A.

(57) **CLAIM**

The ornamental design for a game device, as shown and described.

DESCRIPTION

FIG. 1 is a top, front perspective view of a game device showing our new design;

FIG. 2 is a top plan view of the game device shown in FIG. 1;

FIG. 3 is a left side elevational view of the game device shown in FIG. 1;

FIG. 4 is a right side elevational view of the game device shown in FIG. 1;

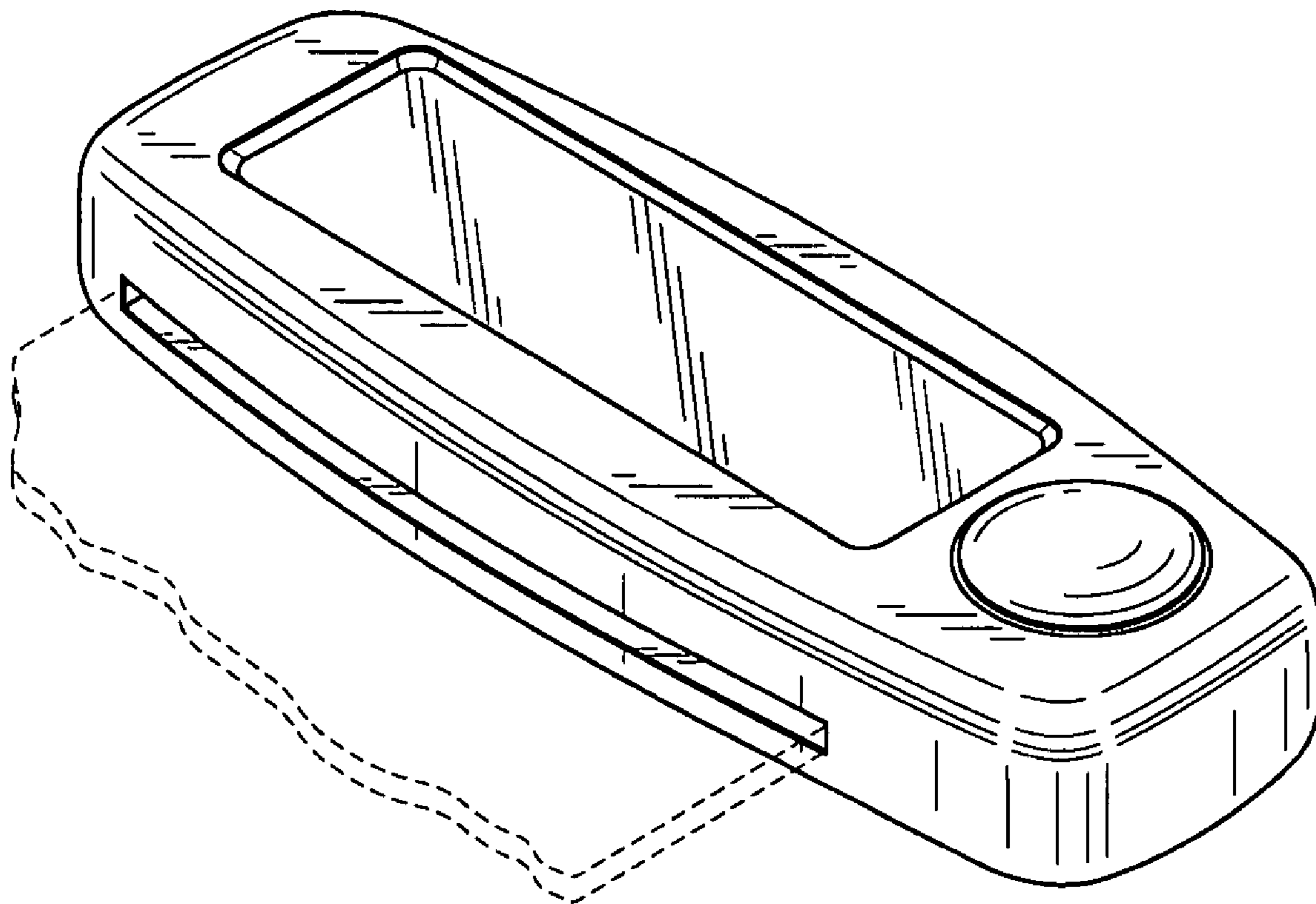
FIG. 5 is a bottom plan view of the game device shown in FIG. 1;

FIG. 6 is a rear side elevational view of the game device shown in FIG. 1; and,

FIG. 7 is a front side elevational view of the game device shown in FIG. 1.

The broken lines are for environmental purposes only and form no part of the claimed design.

1 Claim, 1 Drawing Sheet



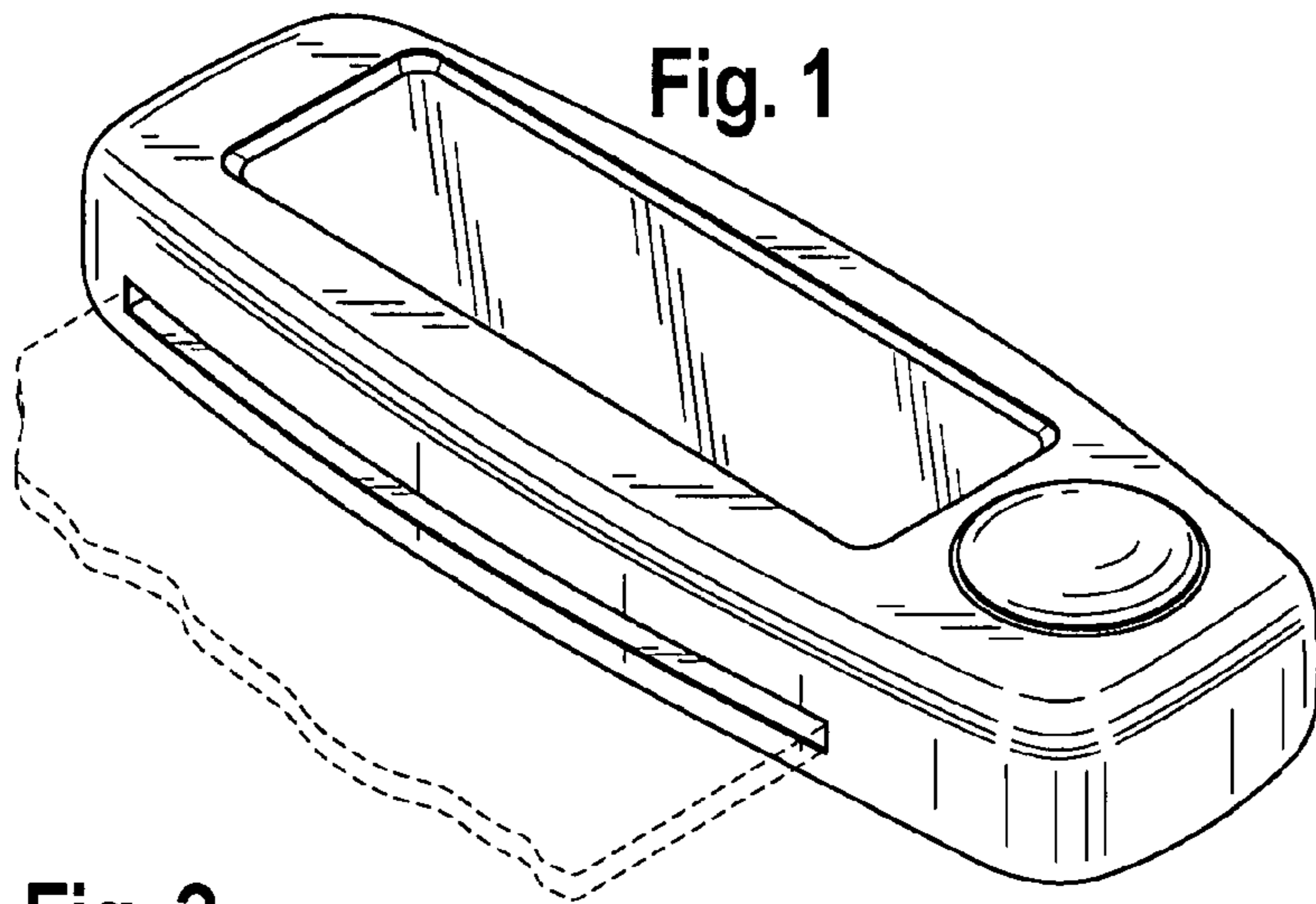


Fig. 6

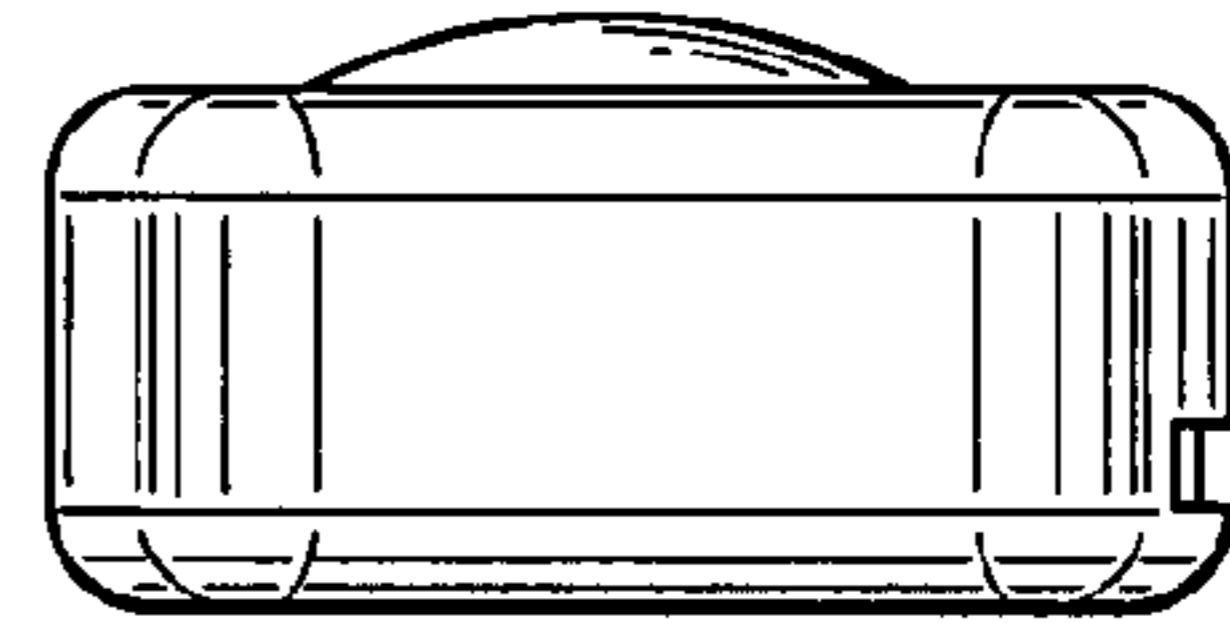


Fig. 7

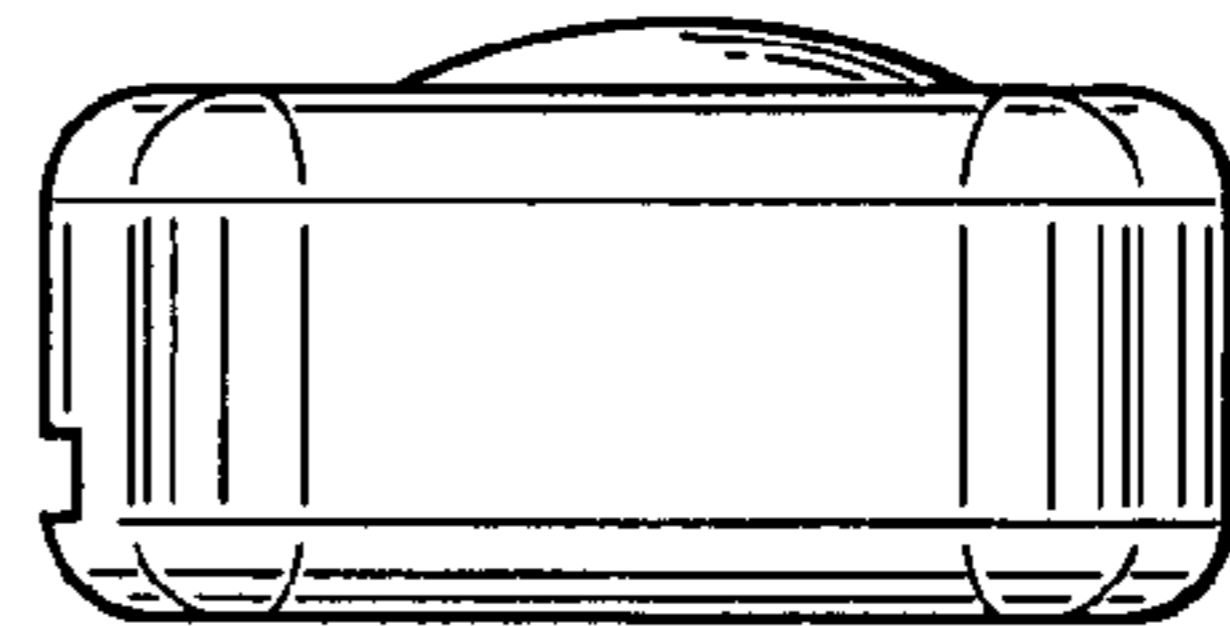


Fig. 2

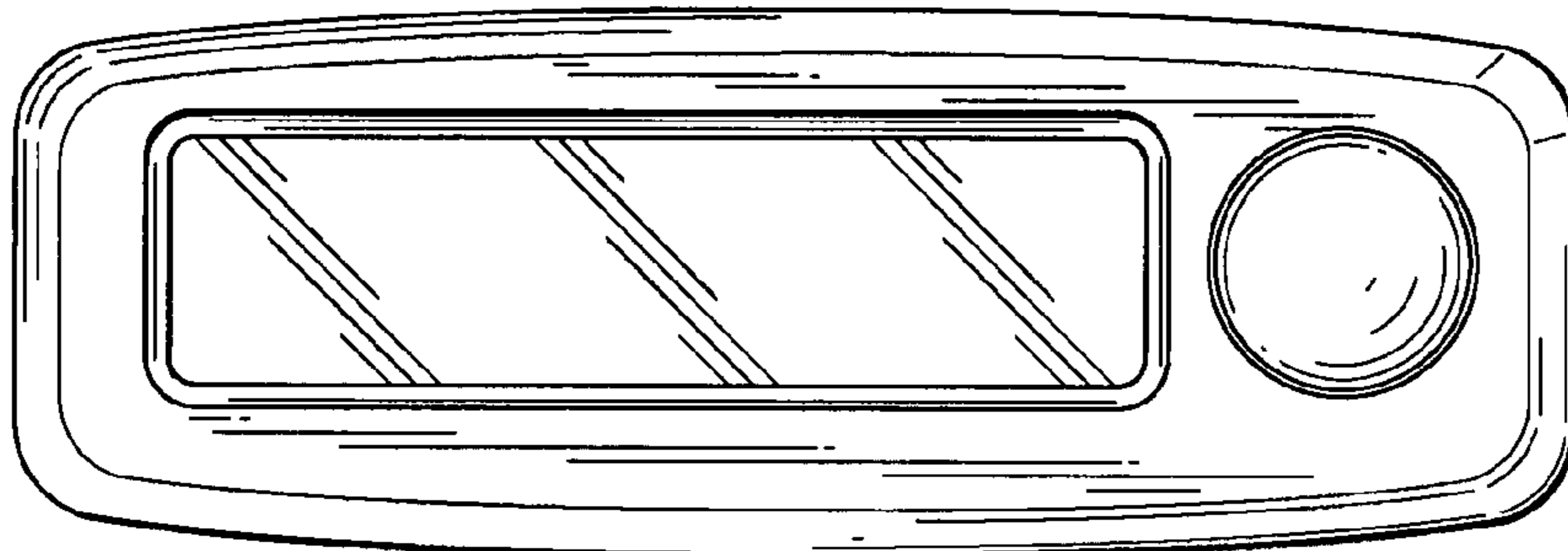


Fig. 3

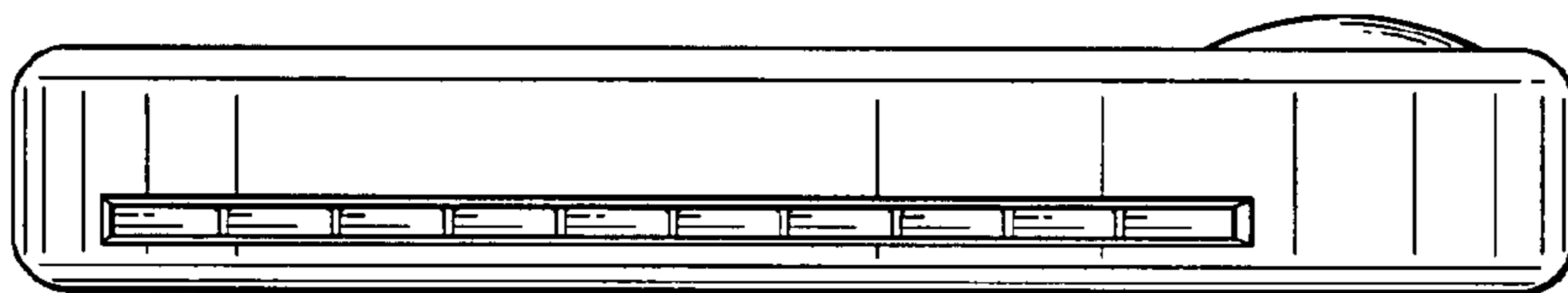


Fig. 4

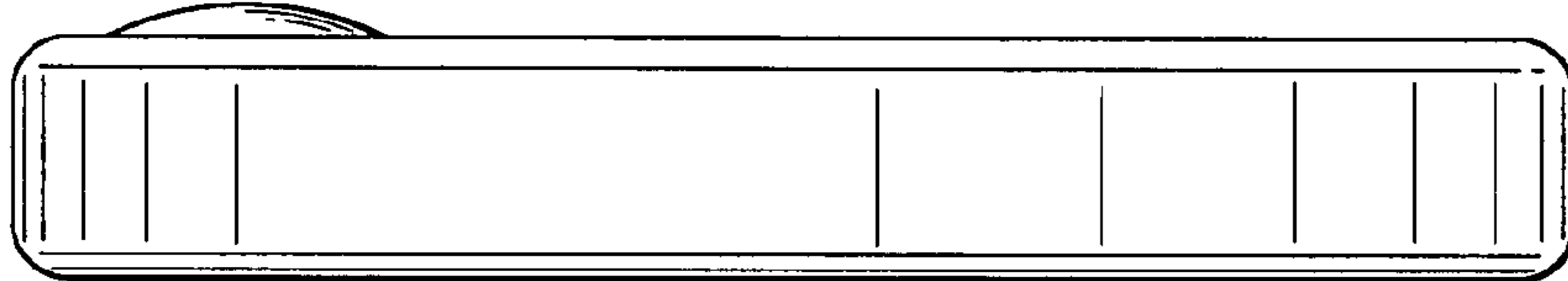


Fig. 5

