



US00D581984S

(12) **United States Design Patent**
Bergstrom

(10) **Patent No.:** **US D581,984 S**
(45) **Date of Patent:** **** Dec. 2, 2008**

(54) **TICKET TERMINAL**

6,601,039 B1 * 7/2003 Kolls 705/14
D554,006 S * 10/2007 Autio et al. D10/47
D556,068 S * 11/2007 Fugman et al. D10/78

(75) Inventor: **Par Bergstrom**, Göteborg (SE)

(73) Assignee: **Q-Matic AB**, Molndal (DE)

(**) Term: **14 Years**

(21) Appl. No.: **29/267,767**

(22) Filed: **Oct. 23, 2006**

(30) **Foreign Application Priority Data**

Apr. 21, 2006 (EM) 000516992-0002

(51) **LOC (8) Cl.** **20-01**

(52) **U.S. Cl.** **D20/2; D20/8**

(58) **Field of Classification Search** D20/1-9,
D20/99; 221/9, 17, 92, 95, 96, 206; D10/47,
D10/78, 79, 99; D99/28, 34, 99; 40/606.04,
40/642.02; 212/234, 234.1; 235/381, 383;
705/14, 16, 400, 418; D18/4.4, 4.5, 4.6,
D18/41

See application file for complete search history.

(56) **References Cited**

U.S. PATENT DOCUMENTS

D27,481 S * 8/1897 Carter D20/1
6,000,611 A * 12/1999 Dalton et al. 235/383
D419,466 S * 1/2000 McCain D10/78
D444,091 S * 6/2001 Furnidge D10/99

* cited by examiner

Primary Examiner—Caron D. Veynar
Assistant Examiner—Mary Ann Calabrese

(74) *Attorney, Agent, or Firm*—Nixon & Vanderhye, PC

(57) **CLAIM**

The ornamental design for a “ticket terminal,” as shown and described.

DESCRIPTION

FIG. 1 is a perspective view of a ticket terminal in accordance with my new design;

FIG. 2 is a front elevational view thereof;

FIG. 3 is a rear elevational view thereof;

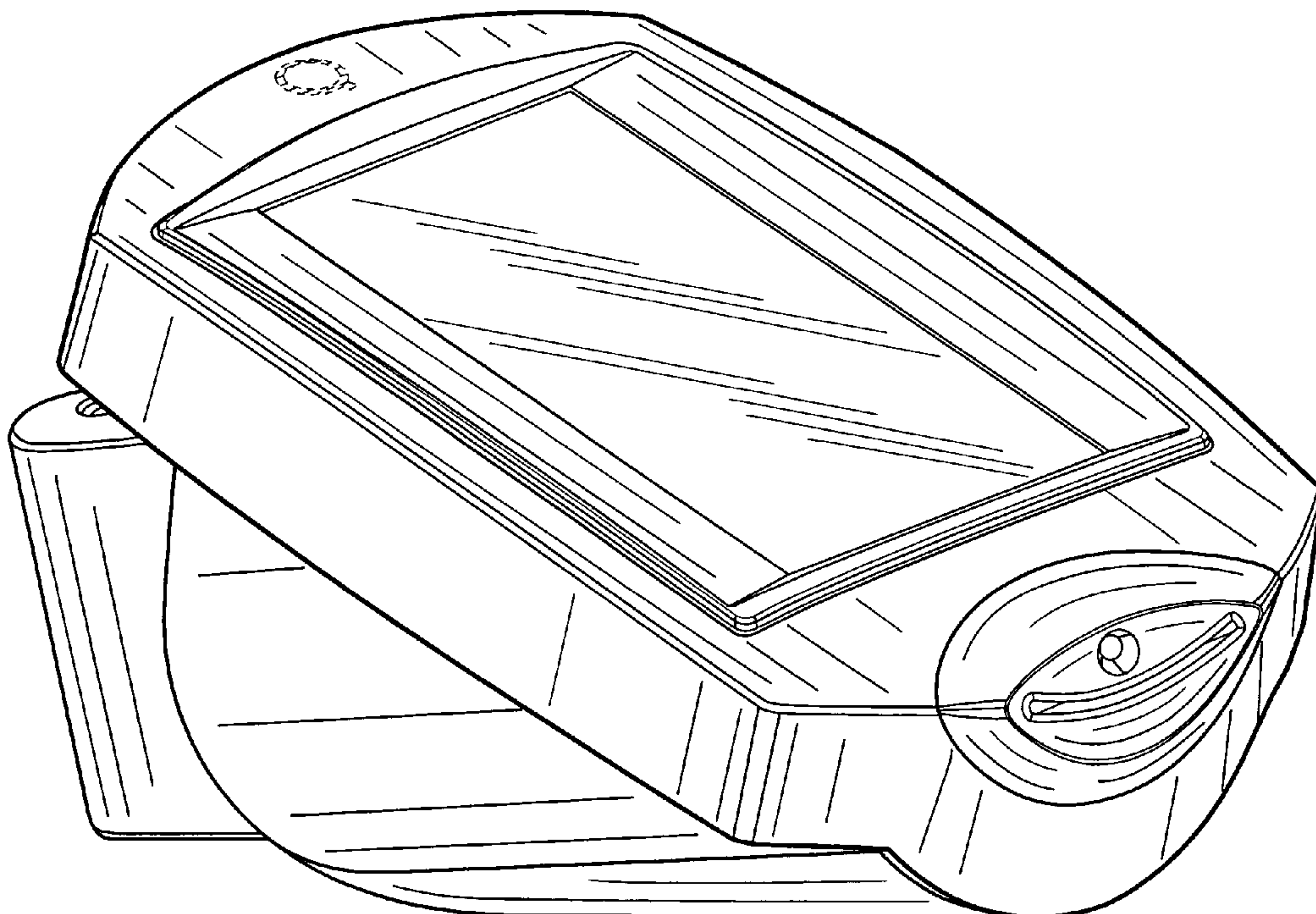
FIG. 4 is a rotated top view thereof, in a 30° clockwise direction;

FIG. 5 is a bottom plan view of the ticket terminal of FIG. 1; and,

FIG. 6 is a right side elevational view, the left side being a mirror image thereof.

In the drawings, the letter ‘Q’ shown in broken lines forms no part of the claimed design.

1 Claim, 6 Drawing Sheets



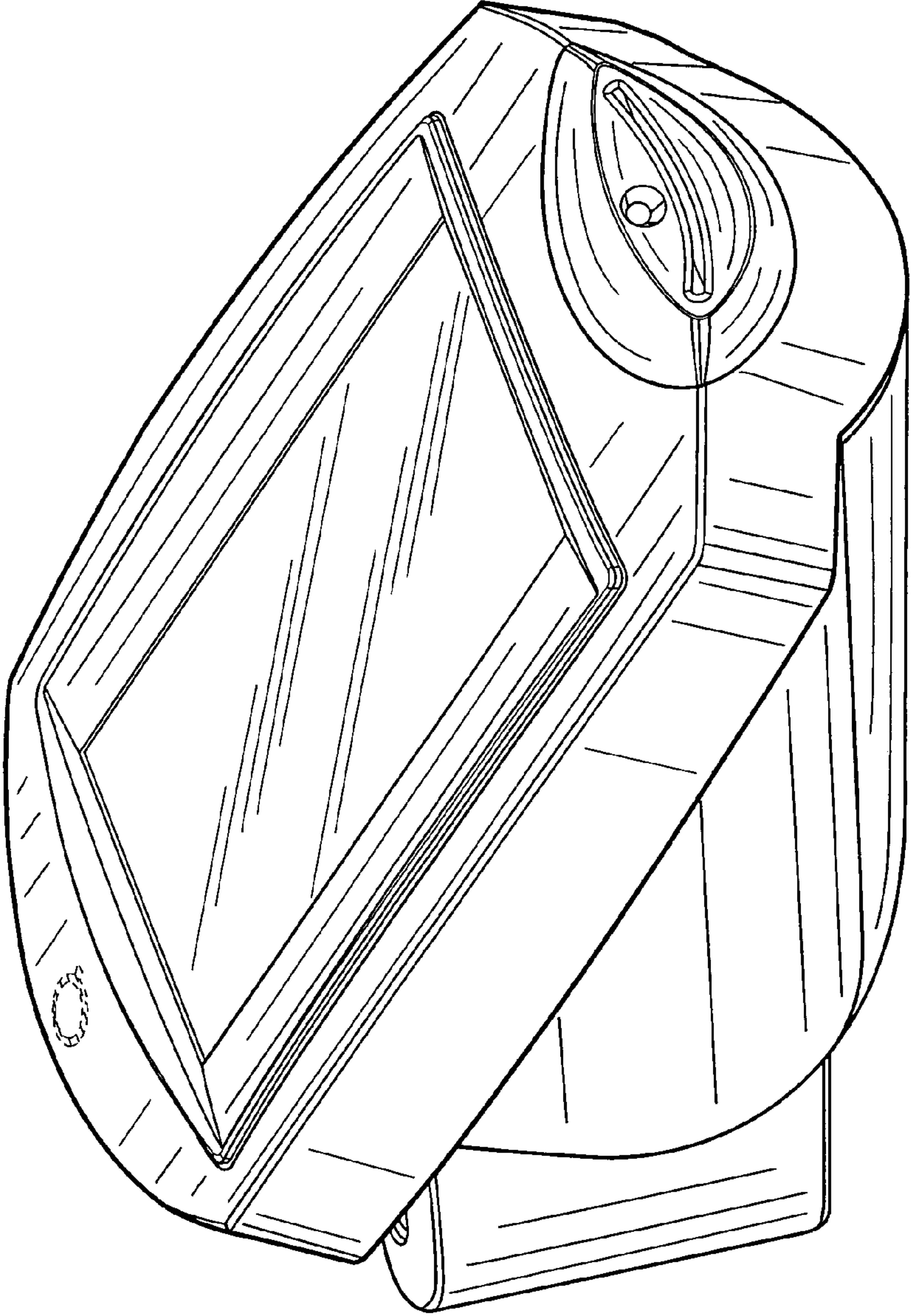


FIG. 1

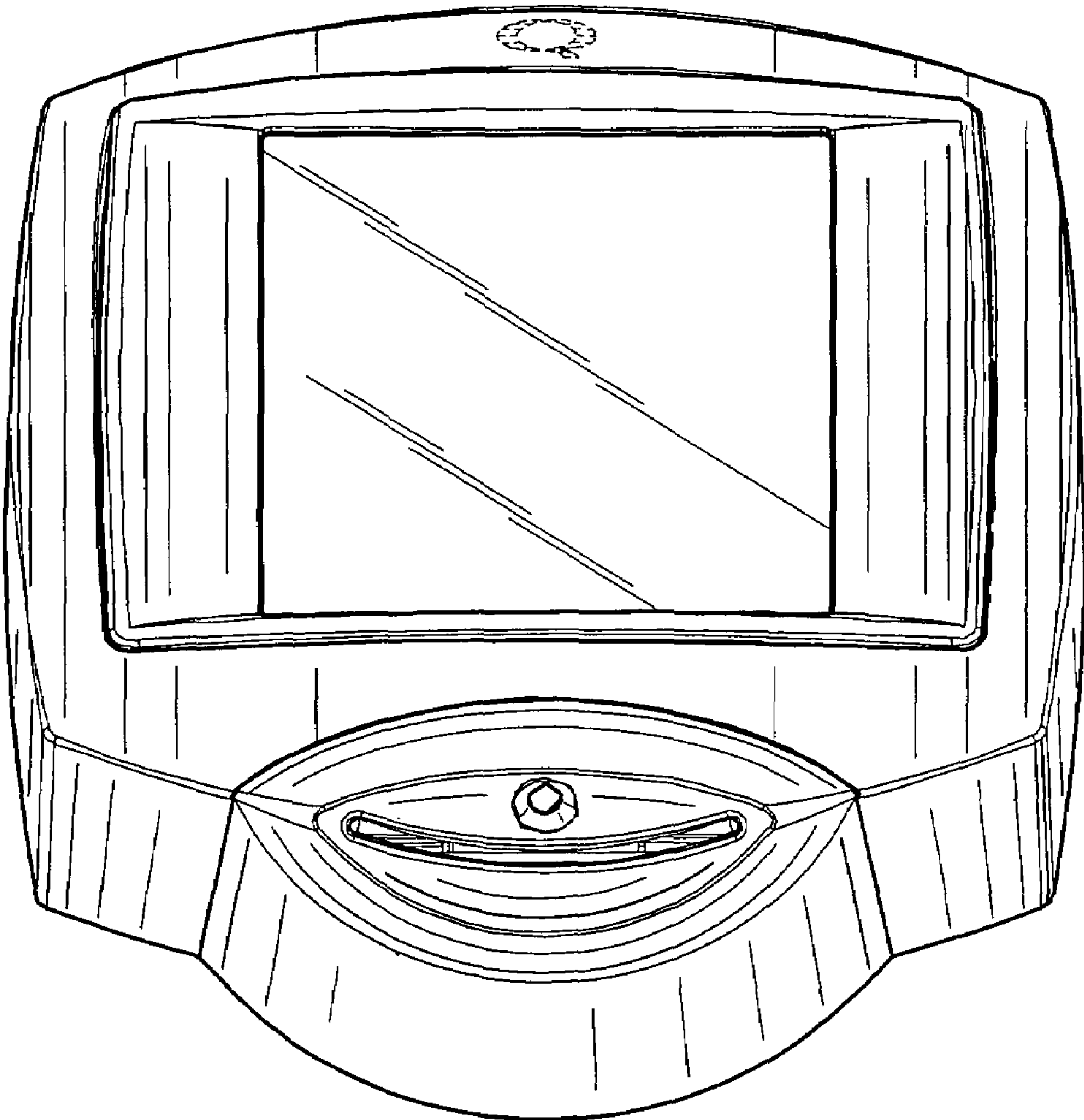


FIG. 2

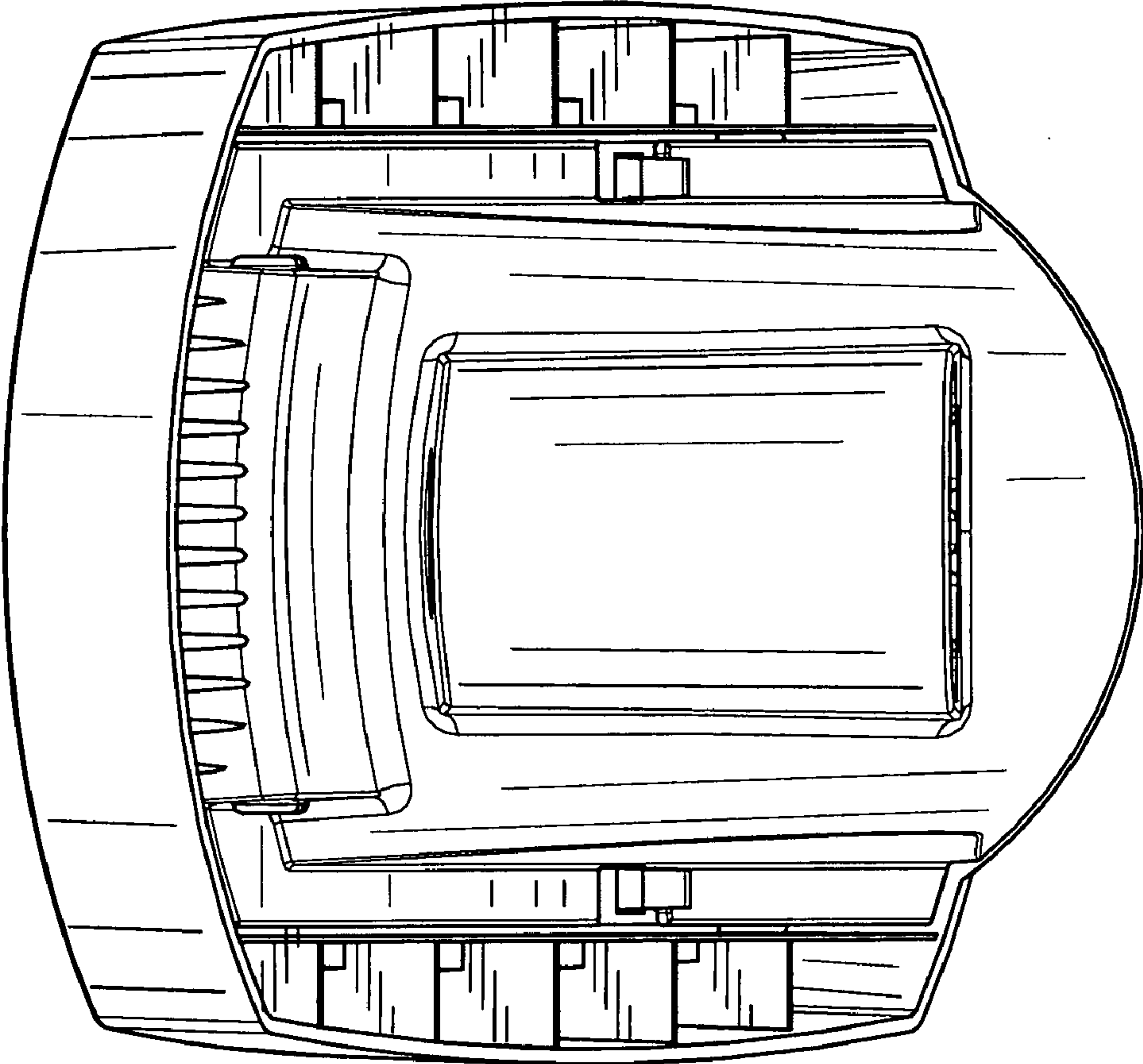


FIG. 3

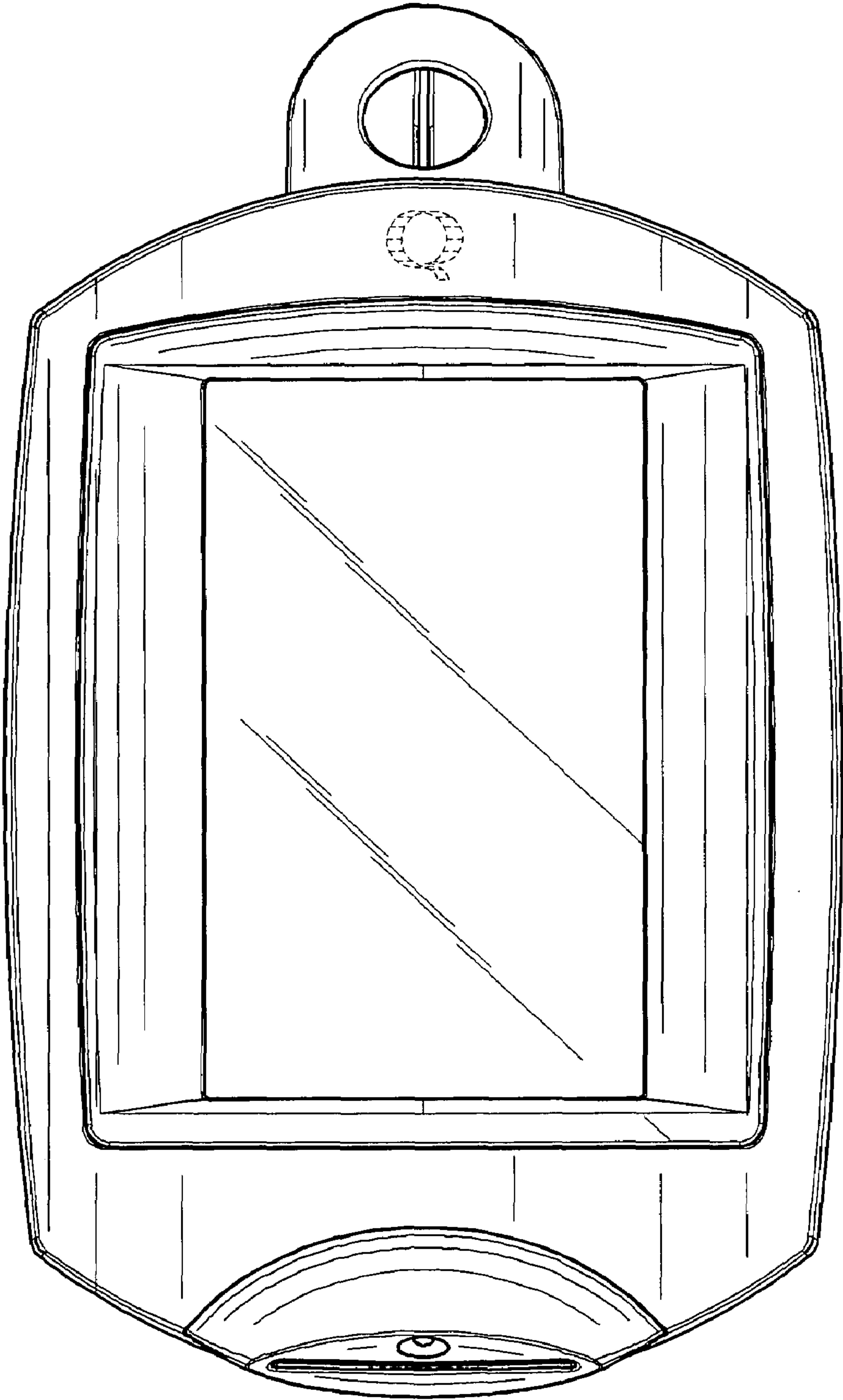


FIG. 4

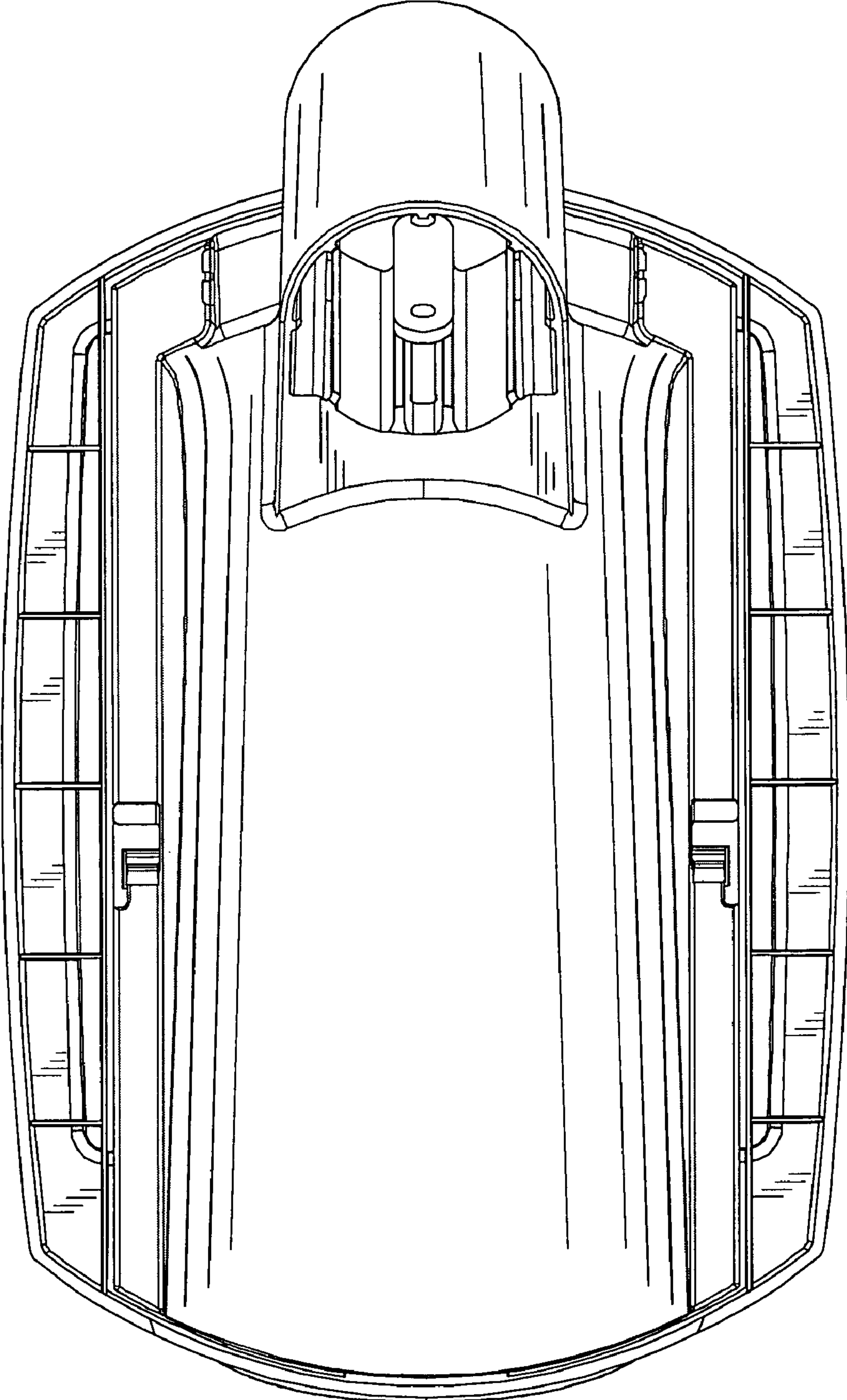


FIG. 5

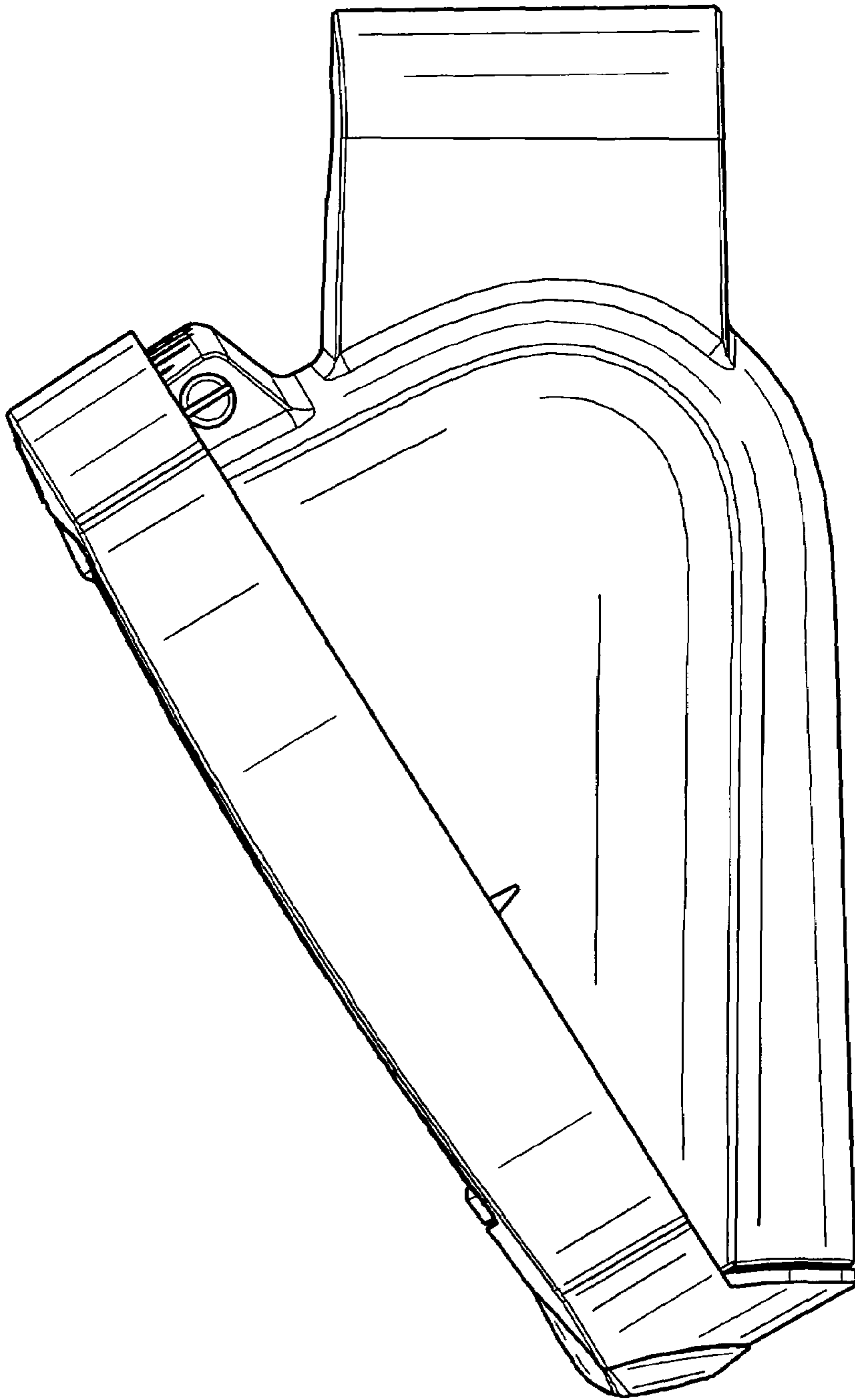


FIG. 6