



US00D581983S

(12) **United States Design Patent**  
**Bergström**

(10) **Patent No.:** **US D581,983 S**

(45) **Date of Patent:** **\*\* Dec. 2, 2008**

(54) **TICKET TERMINAL**

(75) Inventor: **Pär Bergström**, Göteborg (SE)

(73) Assignee: **Q-Matic AB**, Molndal (SE)

(\*\*) Term: **14 Years**

(21) Appl. No.: **29/267,766**

(22) Filed: **Oct. 23, 2006**

(30) **Foreign Application Priority Data**

Apr. 21, 2006 (EM) ..... 000516992-0001

(51) **LOC (8) Cl.** ..... **20-01**

(52) **U.S. Cl.** ..... **D20/2; D20/8**

(58) **Field of Classification Search** ..... D20/1-9,  
D20/99; 221/9, 17, 92, 95, 96, 206; D10/47,  
D10/78, 79, 99; D99/28, 34, 99; 40/606.04,  
40/642.02; 212/234, 234.1; 235/381, 383;  
705/14, 16, 400, 418; D18/4.4, 4.5, 4.6,  
D18/41

See application file for complete search history.

(56) **References Cited**

**U.S. PATENT DOCUMENTS**

D27,481 S \* 8/1897 Carter ..... D20/1  
6,000,611 A \* 12/1999 Dalton et al. .... 235/383  
D419,466 S \* 1/2000 McCain ..... D10/78

D444,091 S \* 6/2001 Furnidge ..... D10/99  
6,601,039 B1 \* 7/2003 Kolls ..... 705/14  
D554,006 S \* 10/2007 Autio et al. .... D10/47  
D556,068 S \* 11/2007 Fugman et al. .... D10/78

\* cited by examiner

*Primary Examiner*—Caron D. Veynar

*Assistant Examiner*—Mary Ann Calabrese

(74) *Attorney, Agent, or Firm*—Nixon & Vanderhye, PC

(57) **CLAIM**

The ornamental design for a “ticket terminal,” as shown and described.

**DESCRIPTION**

FIG. 1 is a perspective view of a ticket terminal in accordance with my new design;

FIG. 2 is a front elevational view thereof;

FIG. 3 is a rear elevational view thereof;

FIG. 4 is a rotated top view thereof, in a 30° clockwise direction;

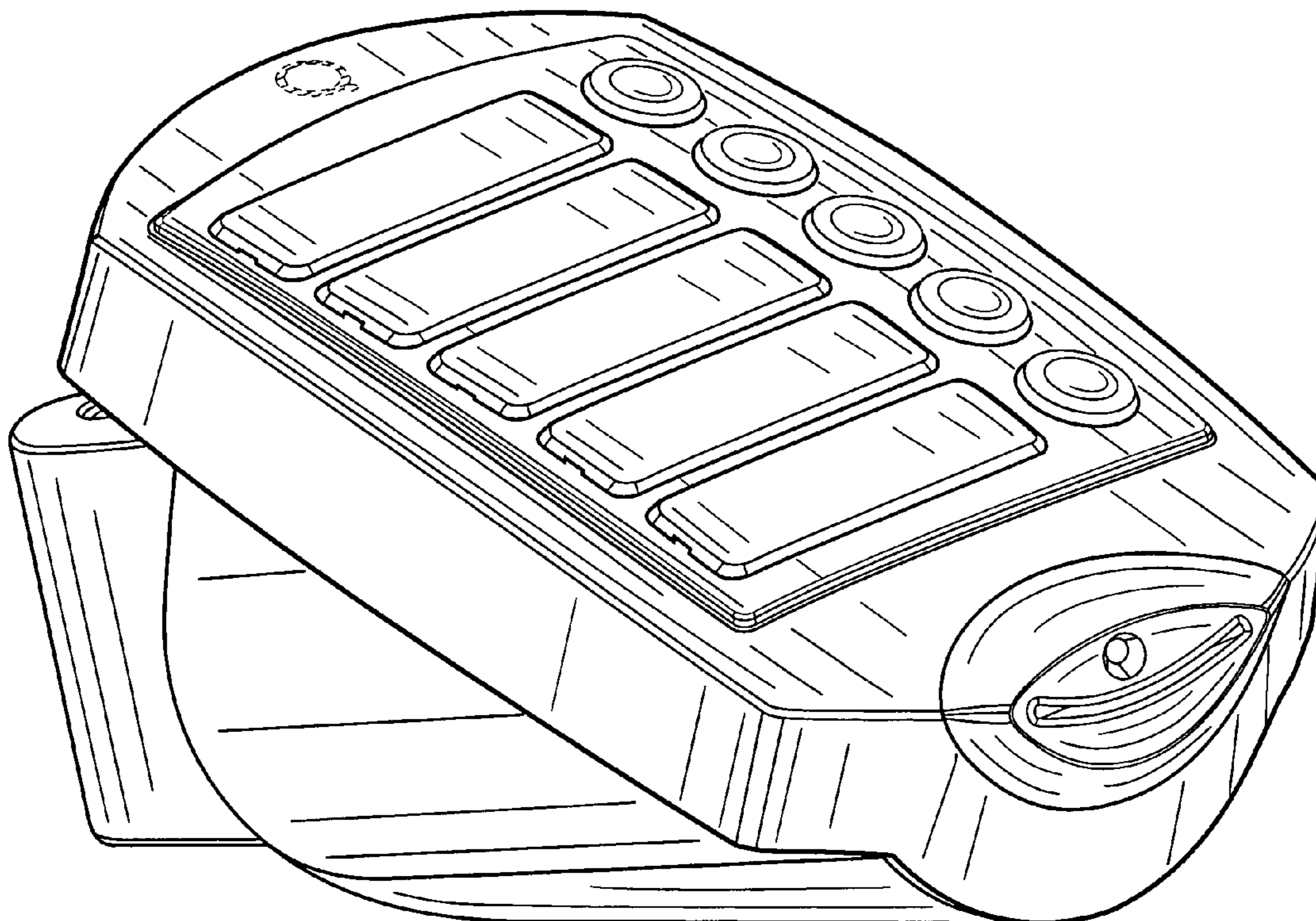
FIG. 5 is a bottom plan view of the ticket terminal of FIG. 1;

FIG. 6 is a right side elevational view thereof; and,

FIG. 7 is a left side elevational view thereof.

In the drawings, the letter ‘Q’ shown in broken lines forms no part of the claimed design.

**1 Claim, 7 Drawing Sheets**



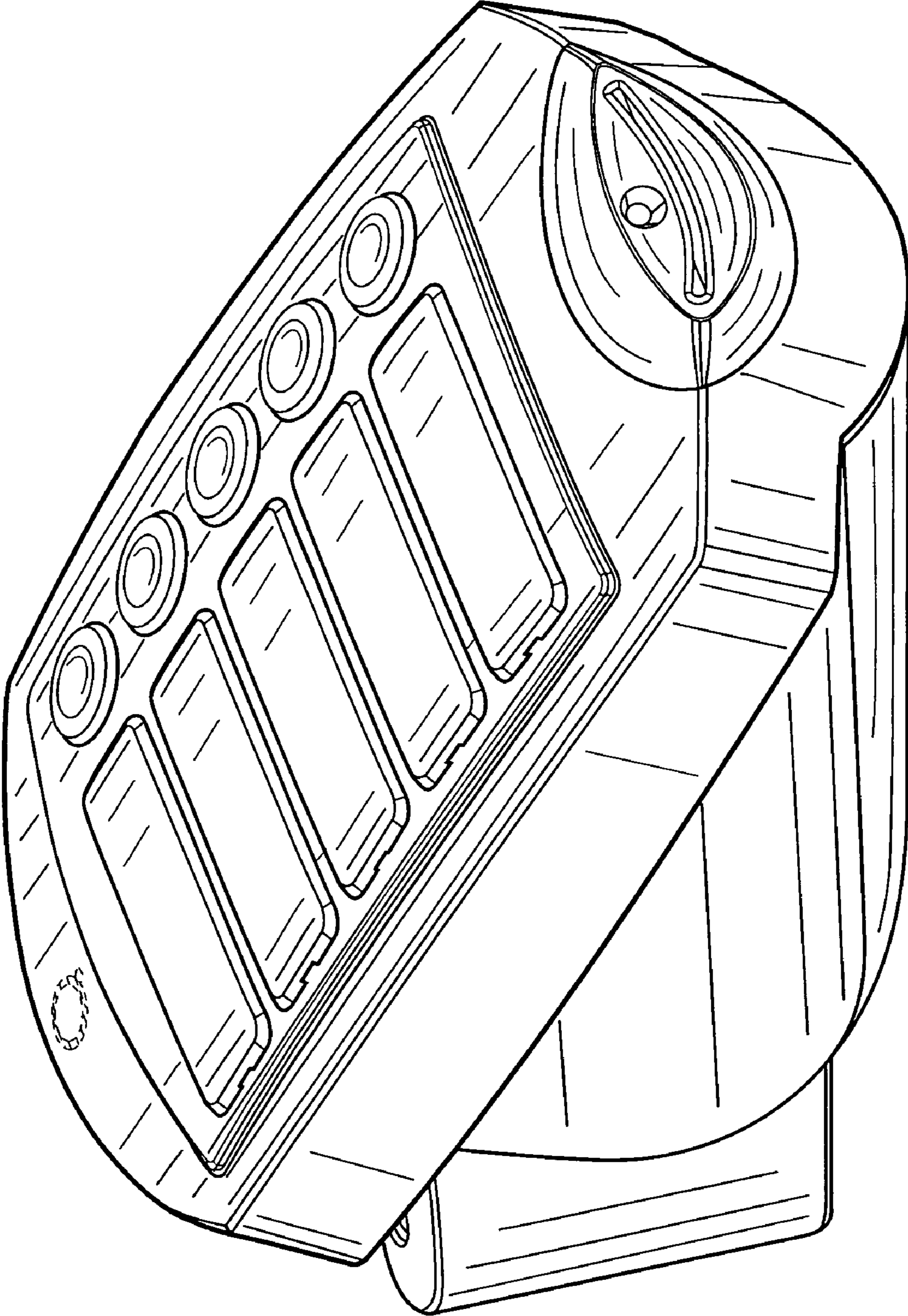


FIG. 1

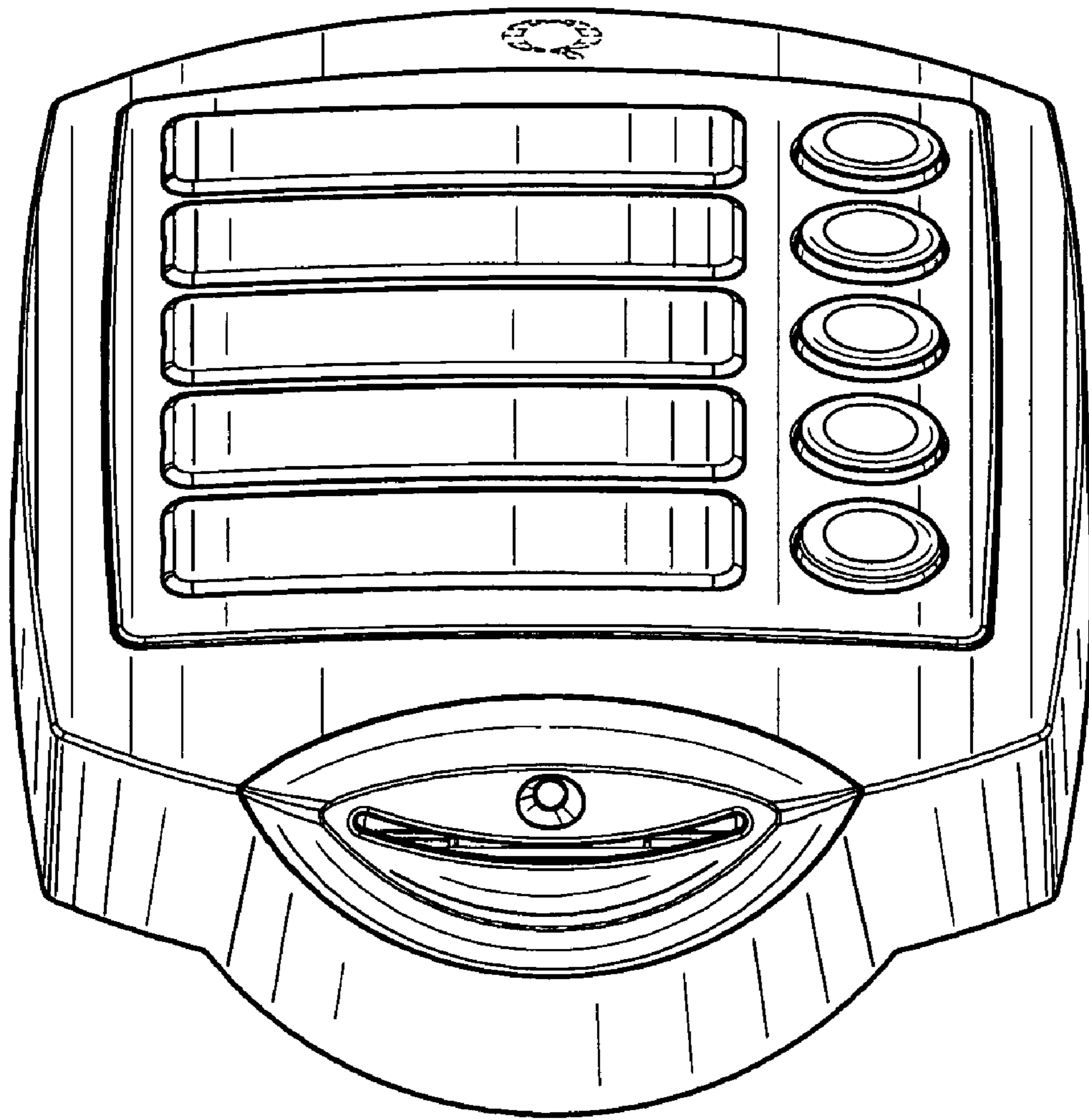


FIG. 2

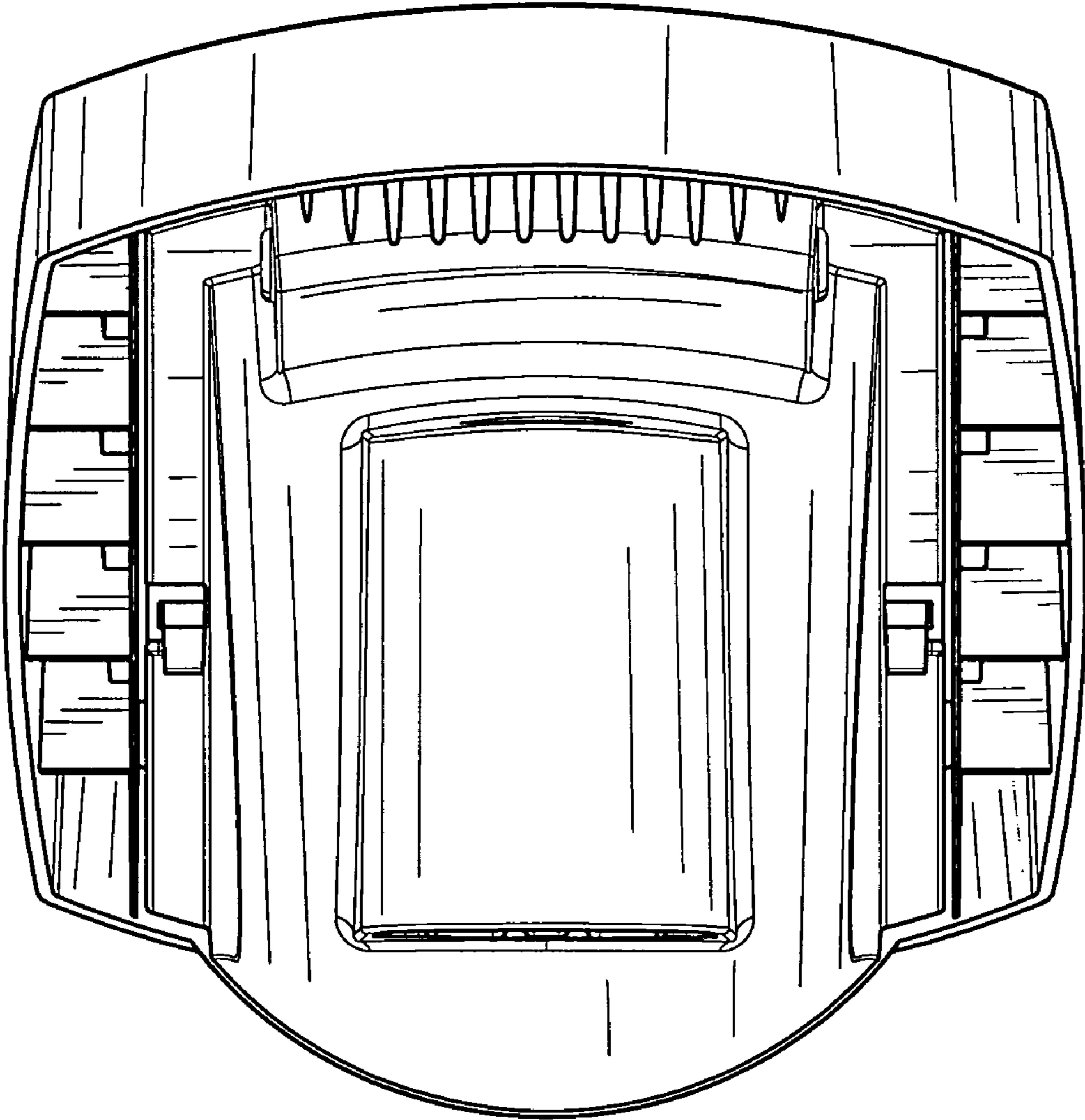


FIG. 3

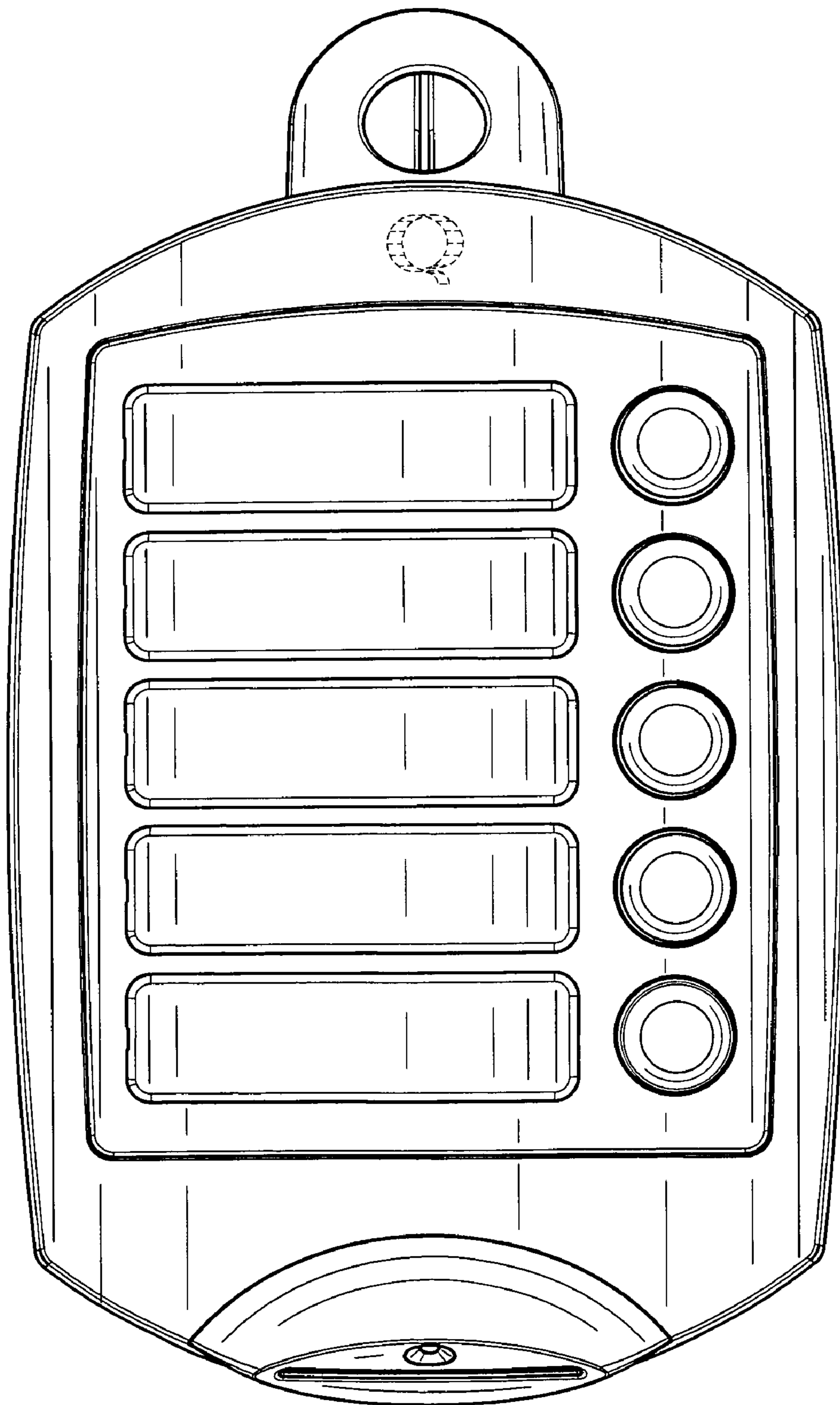


FIG. 4

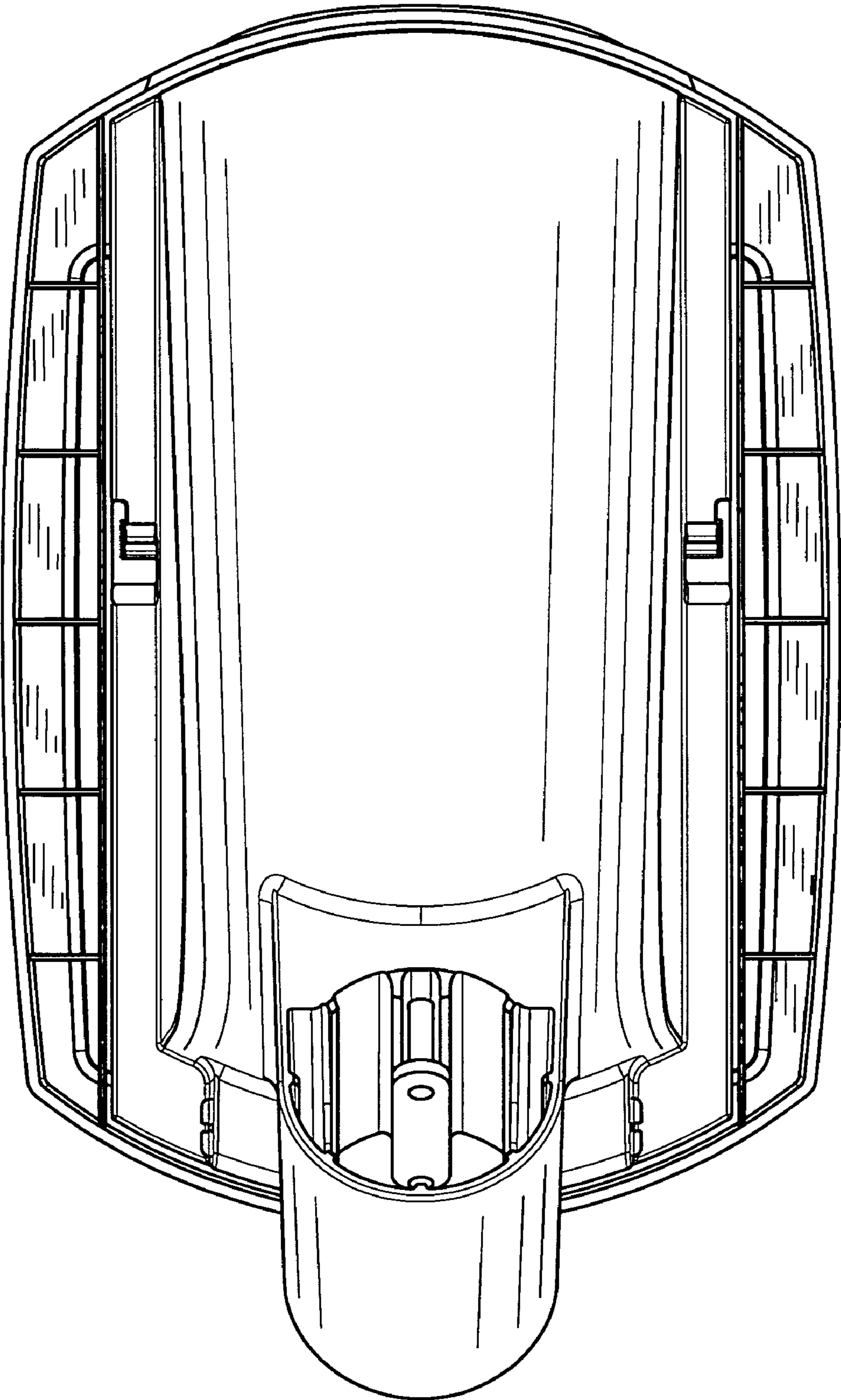


FIG. 5

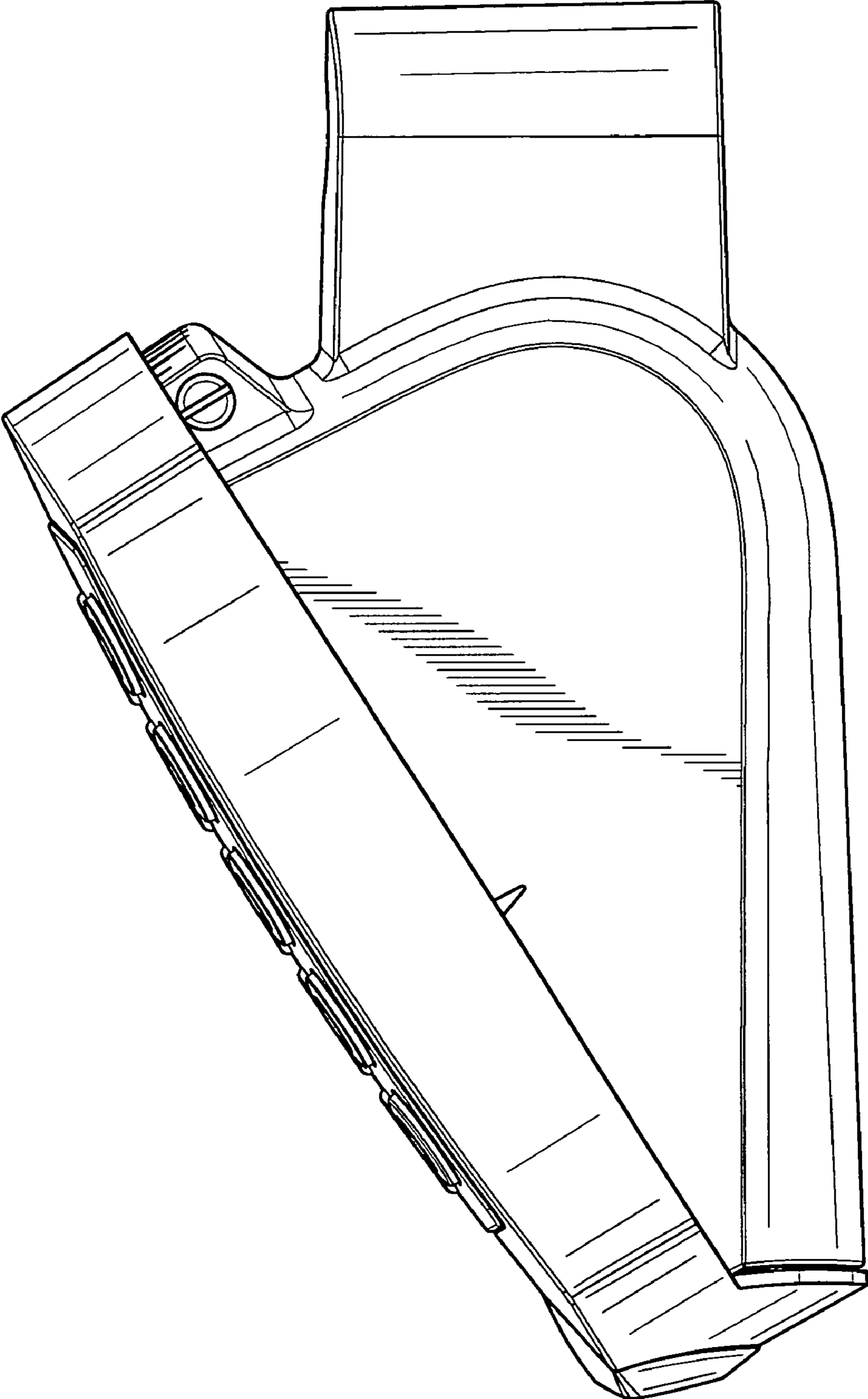


FIG. 6

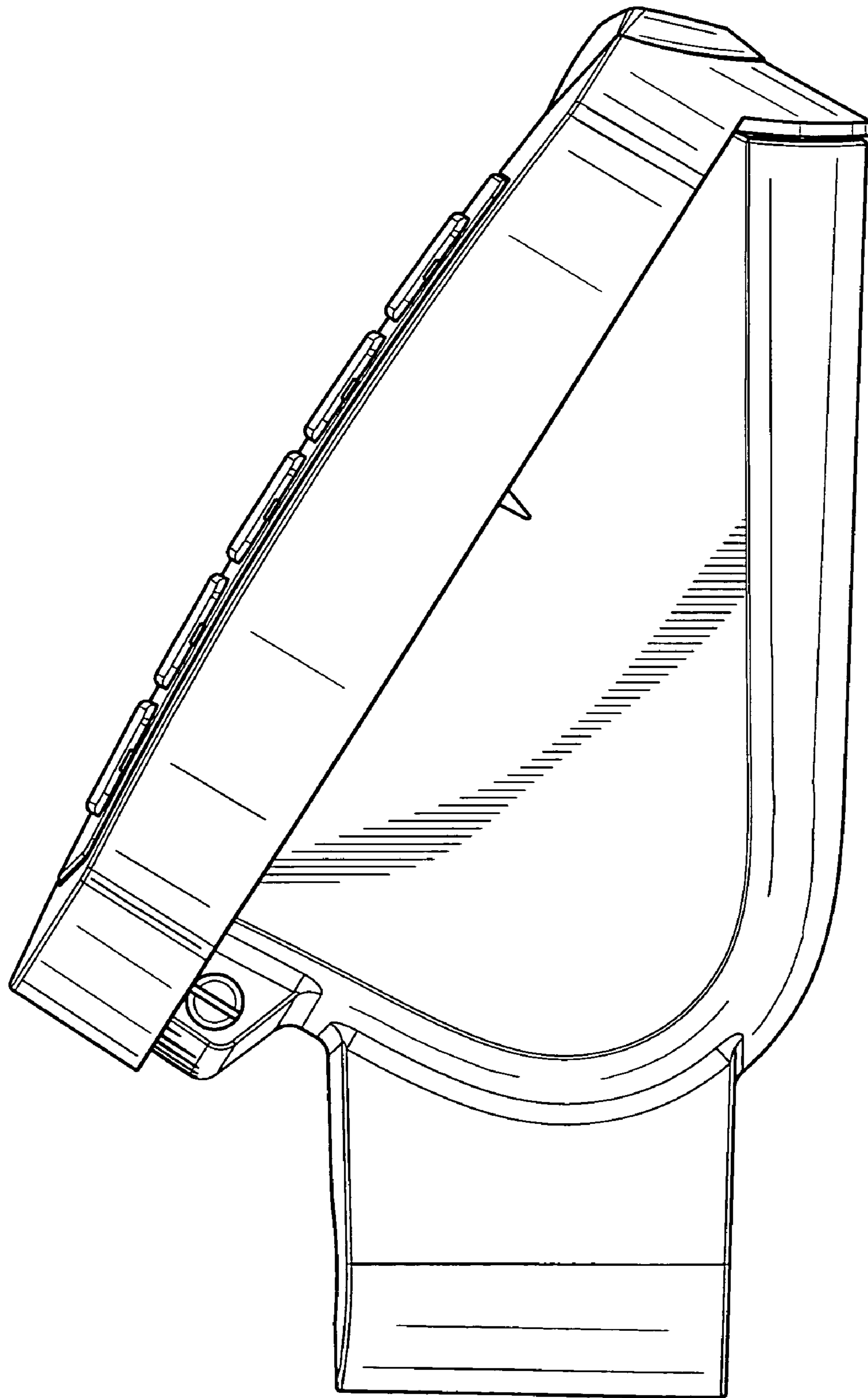


FIG. 7