

US00D581980S

(12) **United States Design Patent**
Bhavnani

(10) **Patent No.:** **US D581,980 S**

(45) **Date of Patent:** **** Dec. 2, 2008**

- (54) **CLIP, BUTTON AND COLLAR ON PEN**
- (75) Inventor: **Dilip Bhavnani**, Beverly Hills, CA (US)
- (73) Assignee: **Sun Coast Merchandise Corporation**,
Commerce, CA (US)
- (**) Term: **14 Years**
- (21) Appl. No.: **29/284,071**
- (22) Filed: **Aug. 30, 2007**

Related U.S. Application Data

- (63) Continuation of application No. 29/283,163, filed on Aug. 7, 2007, now Pat. No. Des. 568,393.

- (51) **LOC (8) Cl.** **19-06**
- (52) **U.S. Cl.** **D19/56**
- (58) **Field of Classification Search** D19/35,
D19/36, 41-51, 53-57; 24/11 R, 11 F, 11 P;
401/52, 99, 100, 104, 105, 106, 107, 108,
401/109, 192, 195, 196

See application file for complete search history.

(56) **References Cited**

U.S. PATENT DOCUMENTS

- D233,613 S * 11/1974 Hand, III D3/225
- D345,577 S * 3/1994 Hohner D19/48
- D394,875 S * 6/1998 Izushima D19/51
- D413,145 S * 8/1999 Brescia et al. D19/51
- D415,199 S * 10/1999 Pellissa Beneyto D19/51
- D435,065 S * 12/2000 Nagel D19/50
- D441,015 S * 4/2001 Izushima D19/47
- D448,803 S * 10/2001 Izushima D19/51
- 6,491,467 B1 * 12/2002 Mitsuya 401/195
- D495,001 S * 8/2004 Anand D19/51
- D501,506 S * 2/2005 Kommer D19/51
- 6,943,670 B2 * 9/2005 Liguori et al. 340/321

- D512,457 S * 12/2005 Anand D19/48
- D512,459 S * 12/2005 Anand D19/51
- D519,563 S * 4/2006 Pellissa Beneyto D19/51
- D523,081 S * 6/2006 Pellissa Beneyto D19/51
- 7,086,798 B1 * 8/2006 Cetera 401/195
- D529,089 S * 9/2006 Bhavnani D19/36
- D542,349 S * 5/2007 Anand D19/50
- D546,385 S * 7/2007 Bhavnani D19/41
- D551,709 S * 9/2007 Pellissa Beneyto D19/50
- D552,678 S * 10/2007 Pellissa Beneyto D19/51

FOREIGN PATENT DOCUMENTS

WO DM/047802 * 5/1999

* cited by examiner

Primary Examiner—Elizabeth A Albert

(74) *Attorney, Agent, or Firm*—The Soni Law Firm

(57) **CLAIM**

The ornamental design for a clip, button and collar on pen, as shown and described.

DESCRIPTION

FIG. 1 is a front bottom side perspective view of the clip, button and collar on pen showing my new design;

FIG. 2 is a right side elevational view thereof;

FIG. 3 is a front elevational view thereof;

FIG. 4 is a right elevational view thereof;

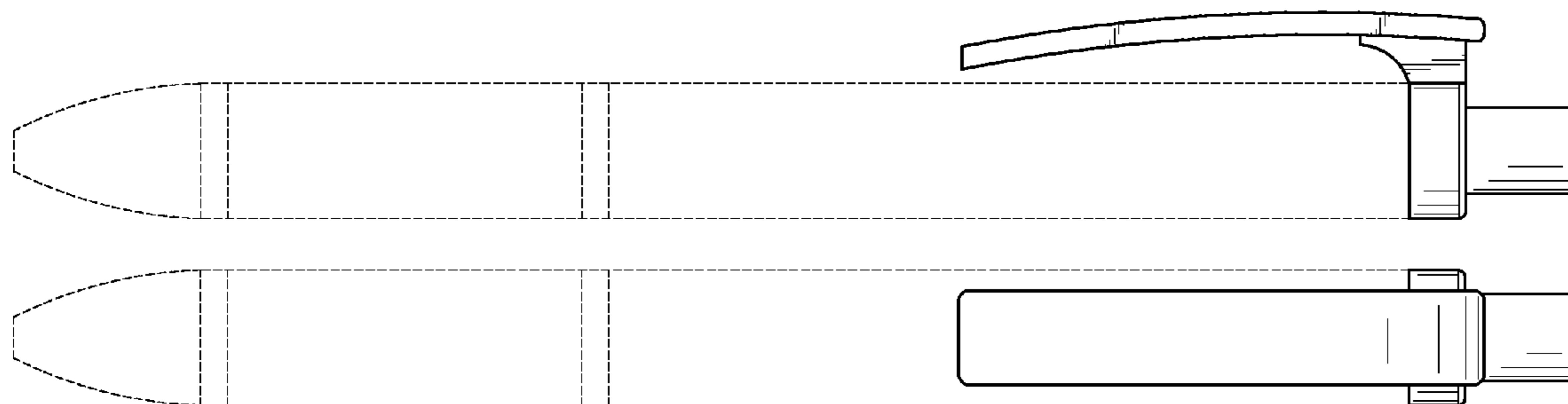
FIG. 5 is a back elevational view thereof;

FIG. 6 is a bottom plan view thereof; and,

FIG. 7 is a top plan view thereof.

The broken lines depicting the pen body, the underside of the clip in FIG. 5, and the inside in FIG. 6 are included for the purpose of illustrating environment and form no part of the claimed design.

1 Claim, 2 Drawing Sheets



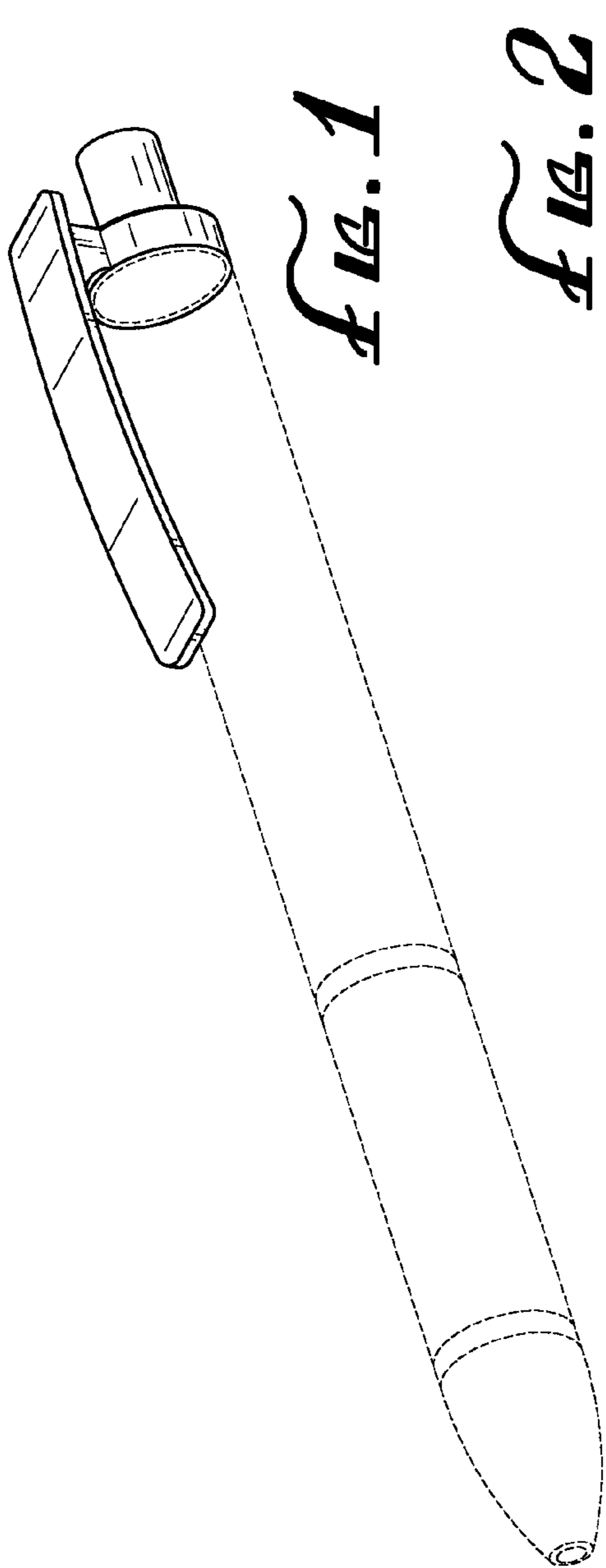


FIG. 2

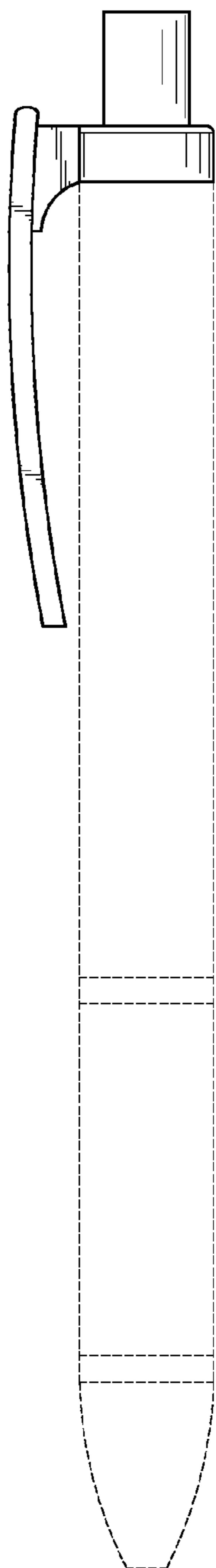


FIG. 3



