



US00D581979S

(12) **United States Design Patent**
Cetera

(10) **Patent No.:** **US D581,979 S**
(45) **Date of Patent:** **** Dec. 2, 2008**

(54) **PEN GRIP**

(75) Inventor: **Carl Cetera**, Tenafly, NJ (US)

(73) Assignee: **Cotapaxi Custom Design and Manufacturing, LLC**, Carlstadt, NJ (US)

(**) Term: **14 Years**

(21) Appl. No.: **29/281,088**

(22) Filed: **Jun. 14, 2007**

(51) **LOC (8) Cl.** **19-06**

(52) **U.S. Cl.** **D19/55**

(58) **Field of Classification Search** D19/35, D19/36, 41, 42, 43, 44, 45, 46, 47, 48, 49, D19/50, 51, 54, 55, 56, 57; D27/146; 24/11 R, 24/11 F, 11 P; 40/334; 401/6, 52, 99, 100, 401/104, 105, 106, 107, 108, 109, 192, 195, 401/243, 244, 245, 246, 247; 362/118

See application file for complete search history.

(56) **References Cited**

U.S. PATENT DOCUMENTS

- 624,853 A * 5/1899 Oberbeck 15/443
- 2,078,083 A * 4/1937 Larsen 401/192
- D123,502 S * 11/1940 Jung D9/453
- D158,832 S * 6/1950 Beaver D8/14.1
- D172,929 S * 8/1954 Kahla D19/49
- D217,838 S * 6/1970 Lee et al. D19/43
- D248,865 S * 8/1978 Sussman et al. D19/43
- D251,302 S * 3/1979 Malamoud D19/49
- D328,918 S * 8/1992 Buda et al. D19/49
- D331,259 S * 11/1992 Rousseau D19/49
- D333,486 S * 2/1993 Rousseau D19/49
- D356,598 S * 3/1995 Thompson et al. D19/49
- D362,649 S * 9/1995 Rak et al. D14/411
- D415,797 S * 10/1999 Wright et al. D19/66
- D429,280 S * 8/2000 Mittersinker D19/49
- D441,016 S * 4/2001 Lai D19/49

- D443,838 S * 6/2001 Kleiman et al. D10/60
- D452,529 S * 12/2001 Tsuchida D19/66
- D456,448 S * 4/2002 Chiu D19/54
- D476,033 S * 6/2003 Bain D19/51
- D496,963 S * 10/2004 Losel D19/49
- D502,215 S * 2/2005 Hung D19/36
- D507,017 S * 7/2005 Cogoli et al. D19/43
- 7,156,571 B2 * 1/2007 Mook et al. 401/29
- D538,341 S * 3/2007 Oas D19/44
- D550,772 S * 9/2007 Geddes D19/53
- D567,854 S * 4/2008 Hamilton et al. D19/49

FOREIGN PATENT DOCUMENTS

- CN HK 9801598.5 * 10/1998
- CN HK 0211300.1 * 10/2002
- CN HK 0503080.6M007 * 3/2006
- WO WO DM-063120 * 2/2003

* cited by examiner

Primary Examiner—Elizabeth A Albert
Assistant Examiner—Karen E Eldridge Powers
(74) *Attorney, Agent, or Firm*—The Soni Law Firm

(57) **CLAIM**

The ornamental design for a pen grip, as shown and described.

DESCRIPTION

FIG. 1 is a front bottom perspective view of the pen grip showing my new design;

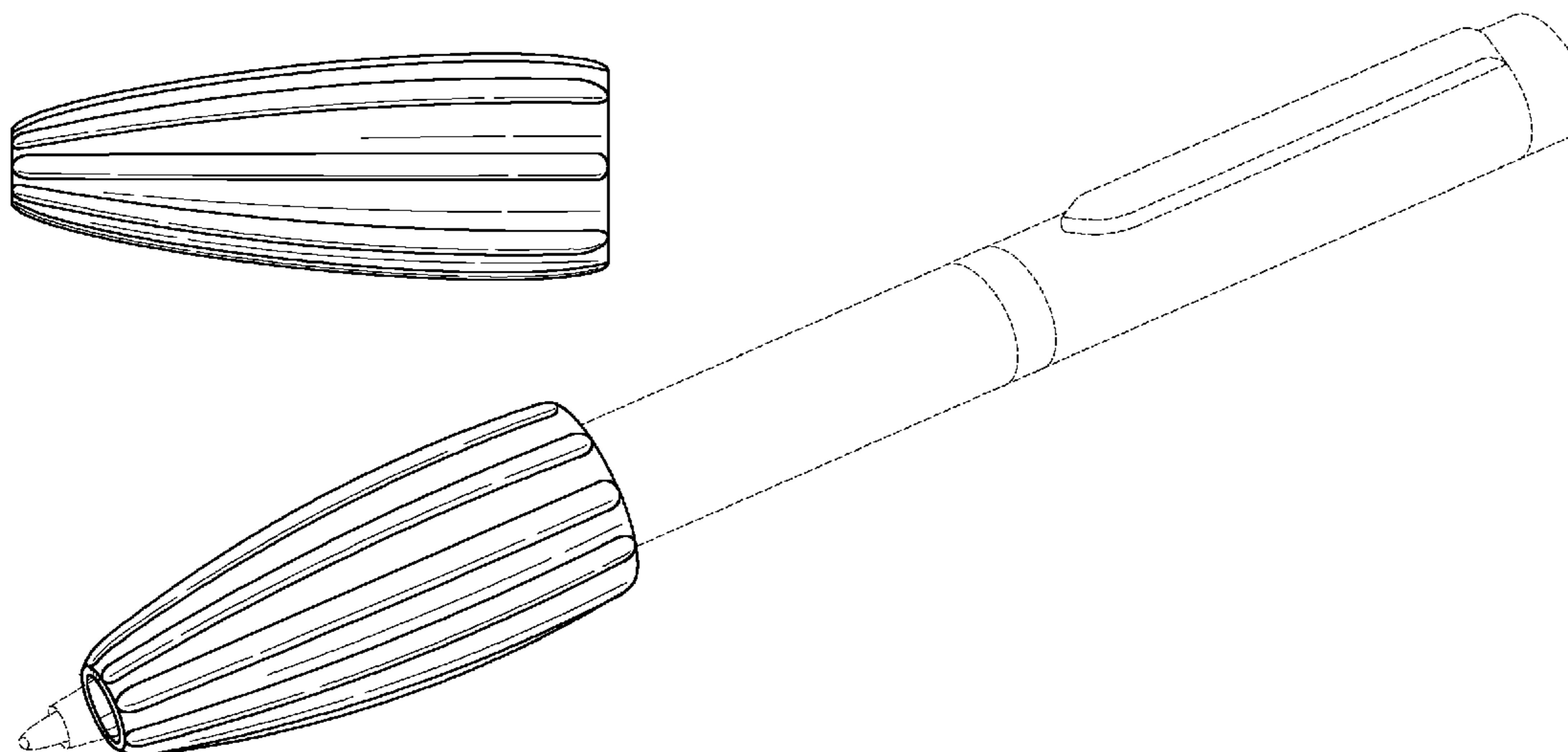
FIG. 2 is a right side elevational view which is a mirror image of the front, back and left sides thereof;

FIG. 3 is a bottom plan view thereof; and,

FIG. 4 is a top plan view thereof.

The broken lines, all of which depict environmental structure, are for illustrative purposes only and form no part of the claimed design. The broken lines shown in FIG. 4, which define the bounds of the claimed design, form no part thereof.

1 Claim, 1 Drawing Sheet



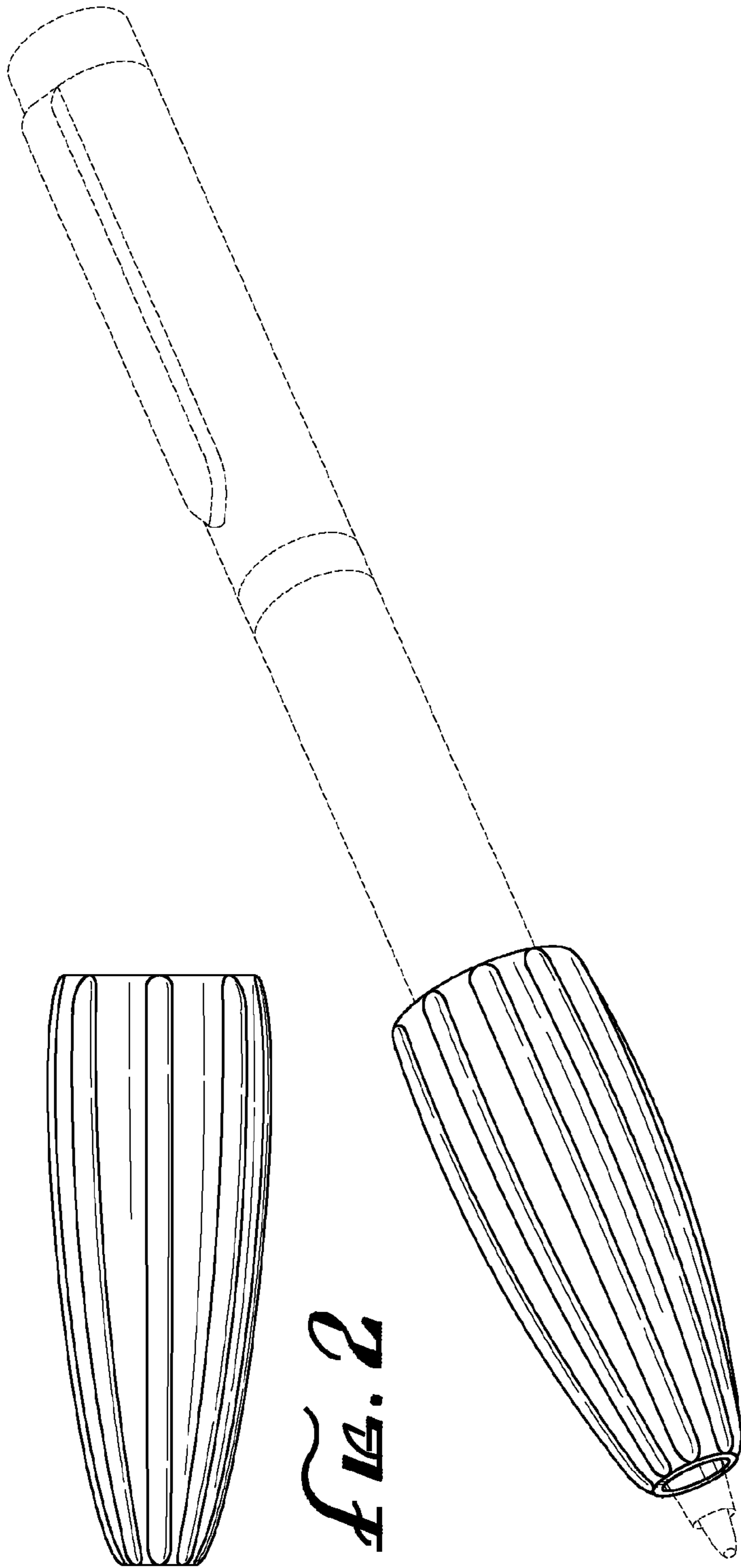


FIG. 1

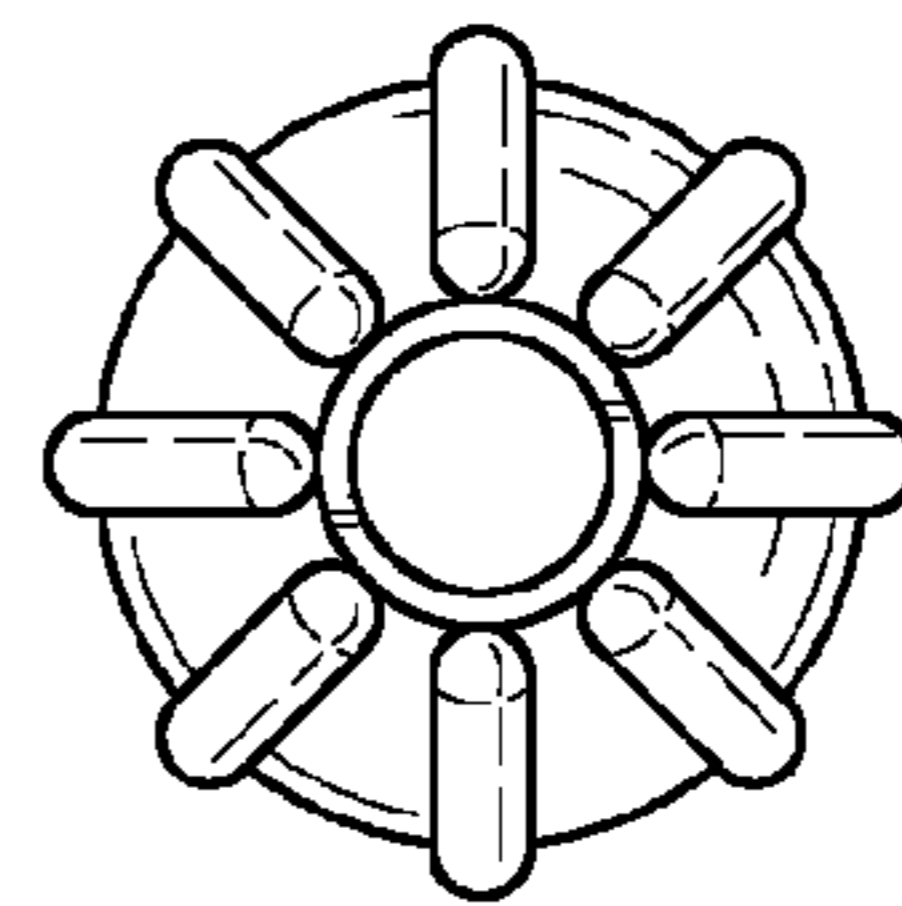


FIG. 2

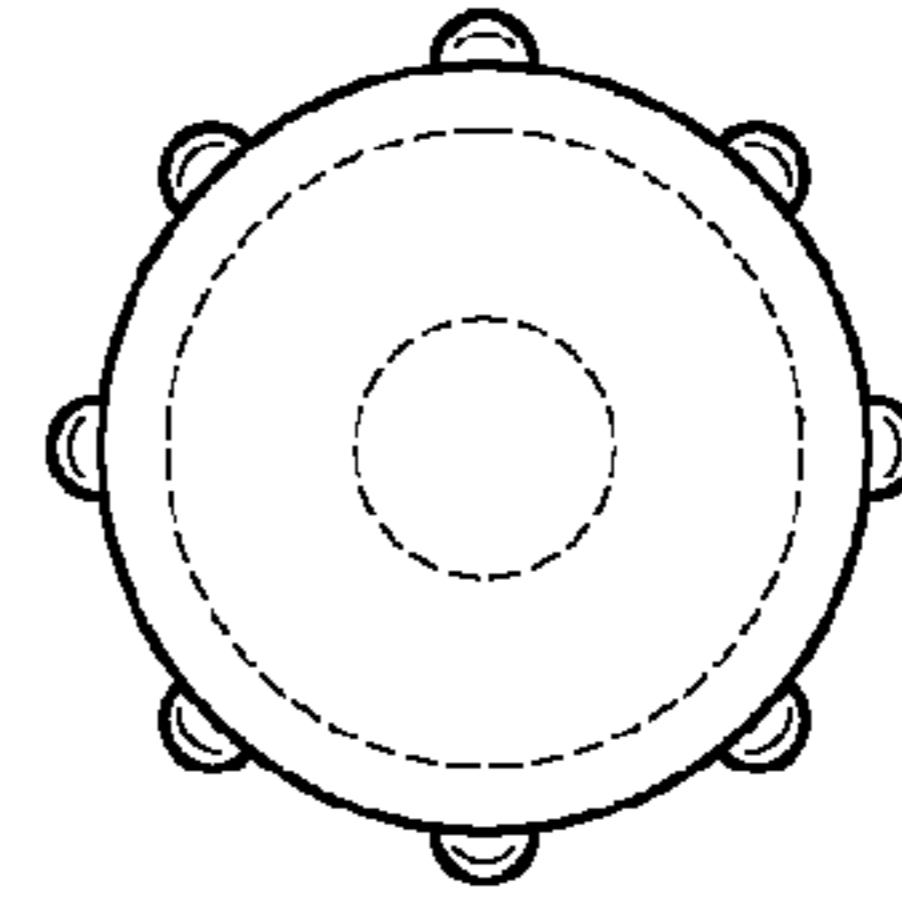


FIG. 3

FIG. 4