



US00D581976S

(12) **United States Design Patent**
Park et al.

(10) **Patent No.:** **US D581,976 S**
(45) **Date of Patent:** **** Dec. 2, 2008**

(54) **COLOR LASER COMPLEX**

(75) Inventors: **Gyeong-Sun Park**, Seoul (KR); **Yun-Gi Hong**, Kyunggi-do (KR); **Bong-Uk Lim**, Kyunggi-do (KR)

(73) Assignee: **Samsung Electronics Co., Ltd.**, Kyunggi-do (KR)

(**) Term: **14 Years**

(21) Appl. No.: **29/291,996**

(22) Filed: **Sep. 25, 2007**

(51) **LOC (8) Cl.** **14-02**

(52) **U.S. Cl.** **D18/55**

(58) **Field of Classification Search** D18/36-39, D18/50, 54, 54.1, 55; D14/421-425, 462-470; 400/613, 613.1-613.4, 690.1-690.4, 691-694
See application file for complete search history.

(56) **References Cited**

U.S. PATENT DOCUMENTS

- D326,867 S 6/1992 Kwak
- D350,765 S * 9/1994 Hiroki et al. D18/36
- D359,506 S 6/1995 Lee
- D378,218 S 2/1997 Hong et al.
- D390,256 S * 2/1998 Shibata D18/39
- D501,667 S * 2/2005 Ishigami et al. D18/50
- D526,345 S * 8/2006 Motoyoshi et al. D18/39
- D527,045 S 8/2006 Lim et al.
- D530,737 S 10/2006 Lim et al.
- D532,043 S 11/2006 Park et al.
- D535,686 S * 1/2007 Ishio D18/39
- D536,372 S 2/2007 Lim et al.
- D537,109 S * 2/2007 Mizusugi et al. D18/39
- D551,700 S 9/2007 Park et al.

- D552,170 S 10/2007 Kim et al.
- D555,195 S * 11/2007 Park et al. D18/55
- D555,722 S 11/2007 Bae et al.
- D561,248 S 2/2008 Lee et al.
- D573,178 S 7/2008 Lee et al.
- D573,179 S 7/2008 Bae et al.
- D573,633 S * 7/2008 Laidlaw et al. D18/55
- D574,886 S * 8/2008 Mase et al. D18/55
- D575,330 S * 8/2008 Egami et al. D18/55

OTHER PUBLICATIONS

U.S. Appl. No. 29/291,995, Applicant: Gyeong-Sun Park, et al., filed Sep. 25, 2007 entitled Copy Machine Attached by Function of Scanner and Printer, Pending.

* cited by examiner

Primary Examiner—Cathy Anne MacCormac

(74) *Attorney, Agent, or Firm*—Flynn, Thiel, Boutell & Tanis, P.C.

(57) **CLAIM**

The ornamental design for a color laser complex, as shown and described.

DESCRIPTION

FIG. 1 is a top front perspective view of a color laser complex showing our new design;

FIG. 2 is a front elevational view thereof;

FIG. 3 is a rear elevational view thereof;

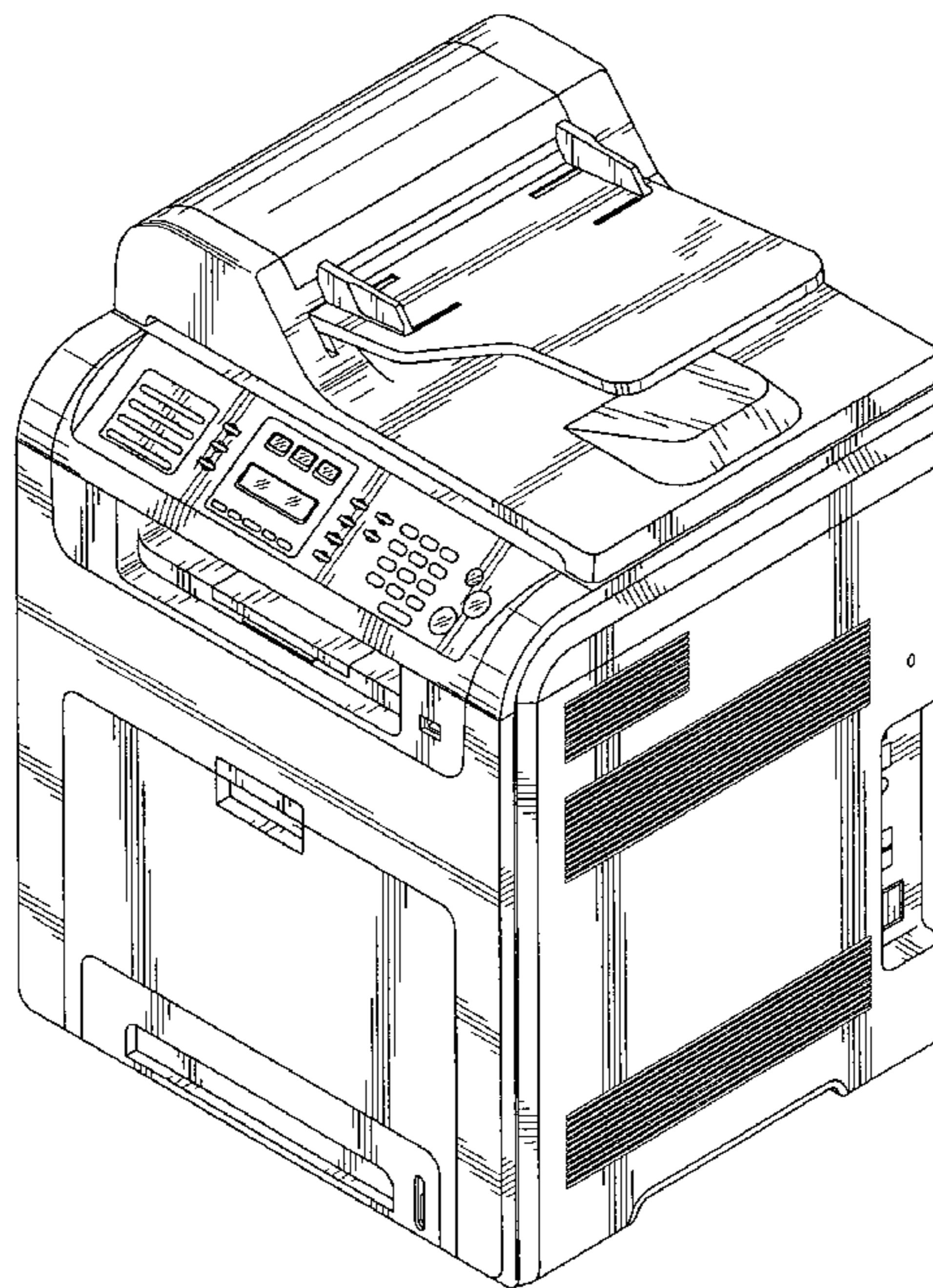
FIG. 4 is a left side elevational view thereof;

FIG. 5 is a right side elevational view thereof;

FIG. 6 is a top plan view thereof; and,

FIG. 7 is a bottom plan view thereof.

1 Claim, 4 Drawing Sheets



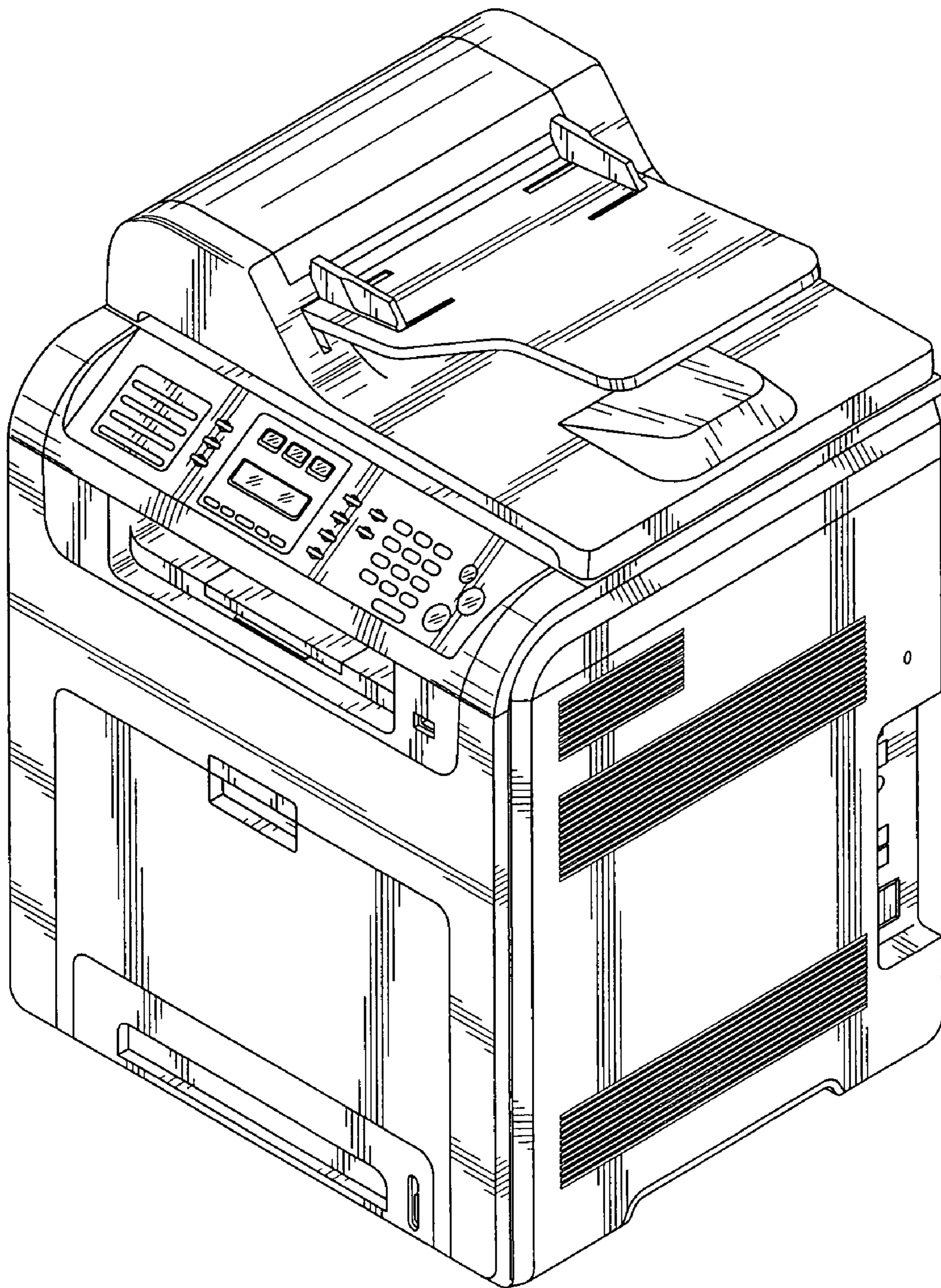


FIG. 1

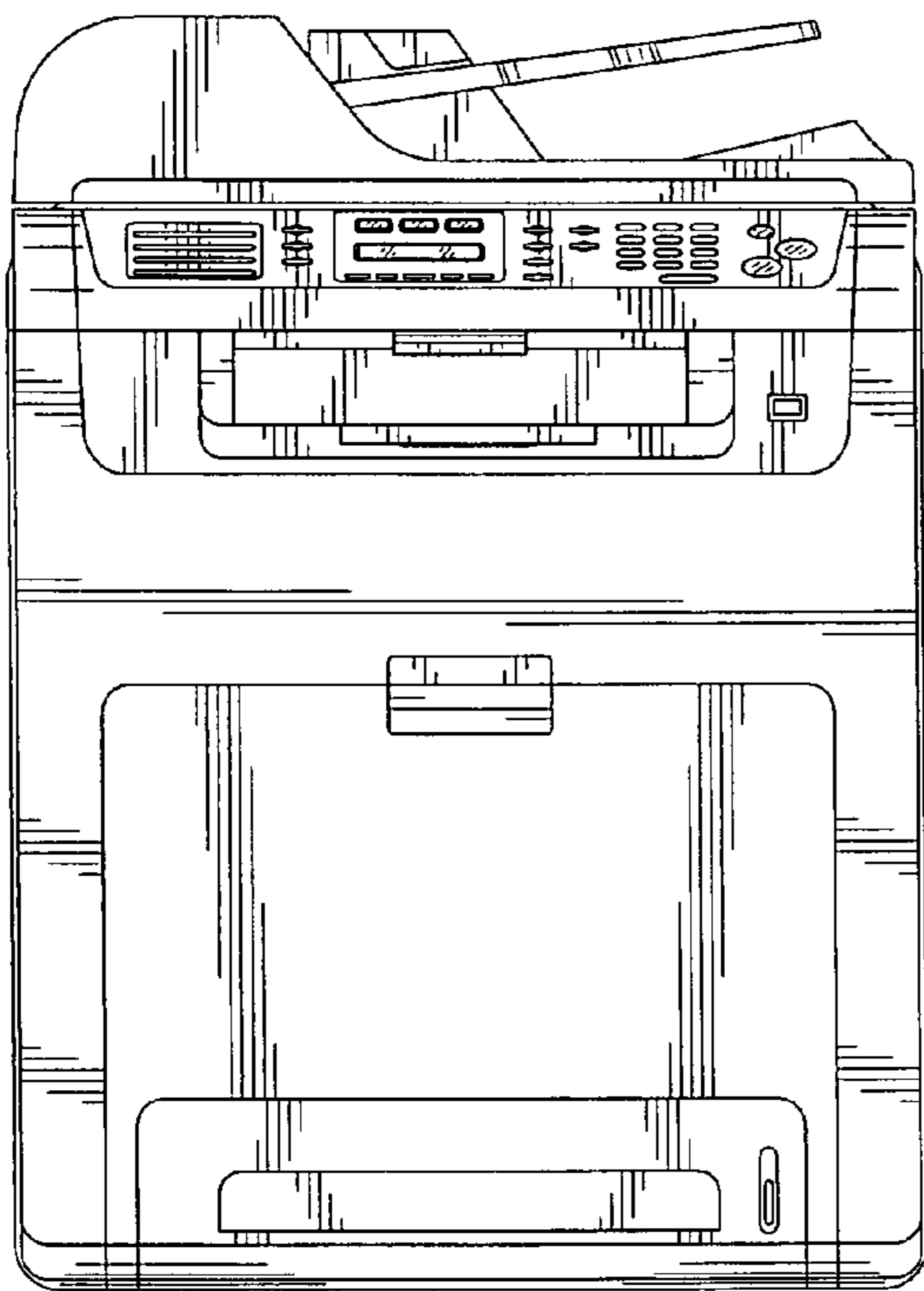


FIG. 2

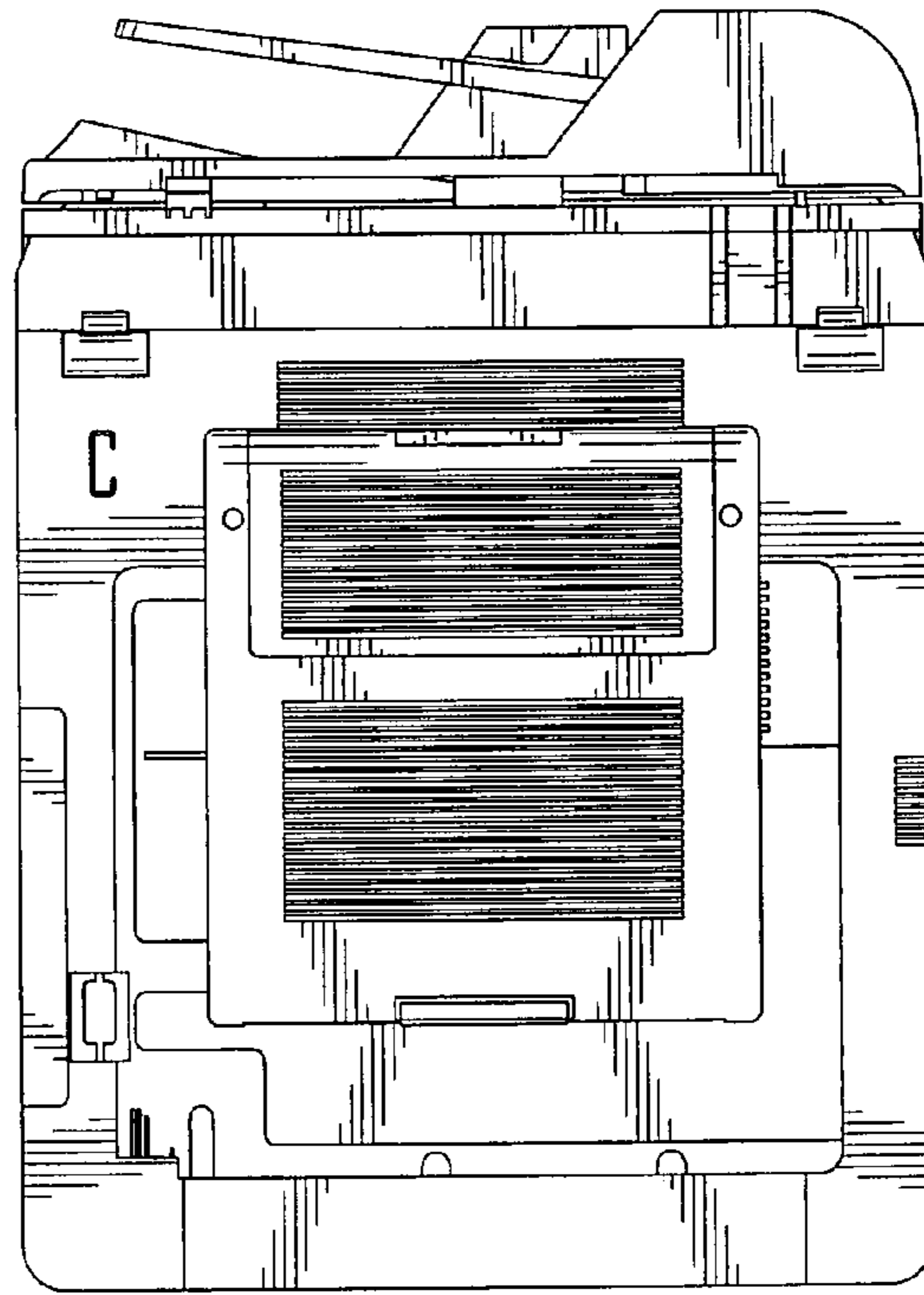


FIG. 3

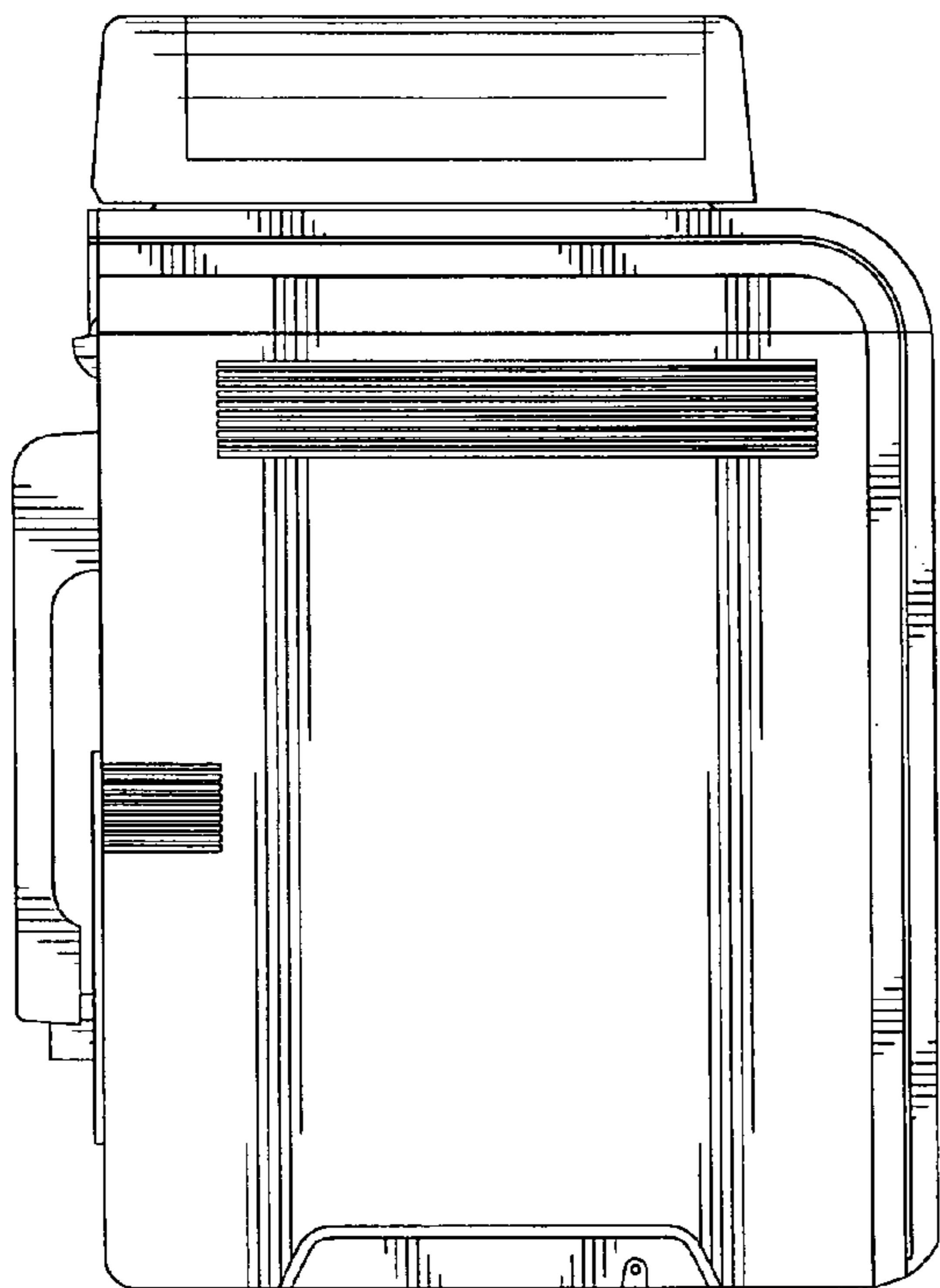


FIG. 4

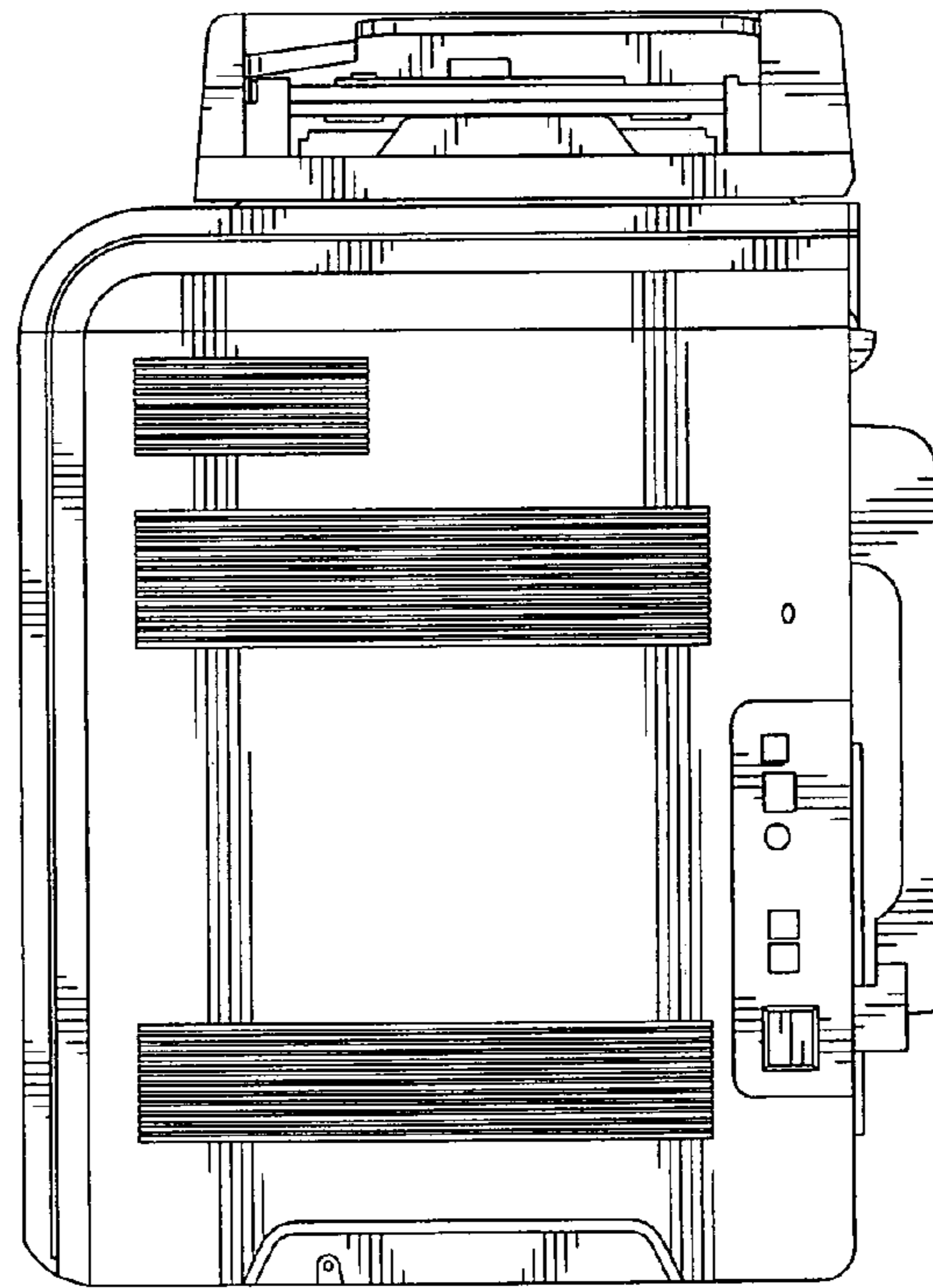


FIG. 5

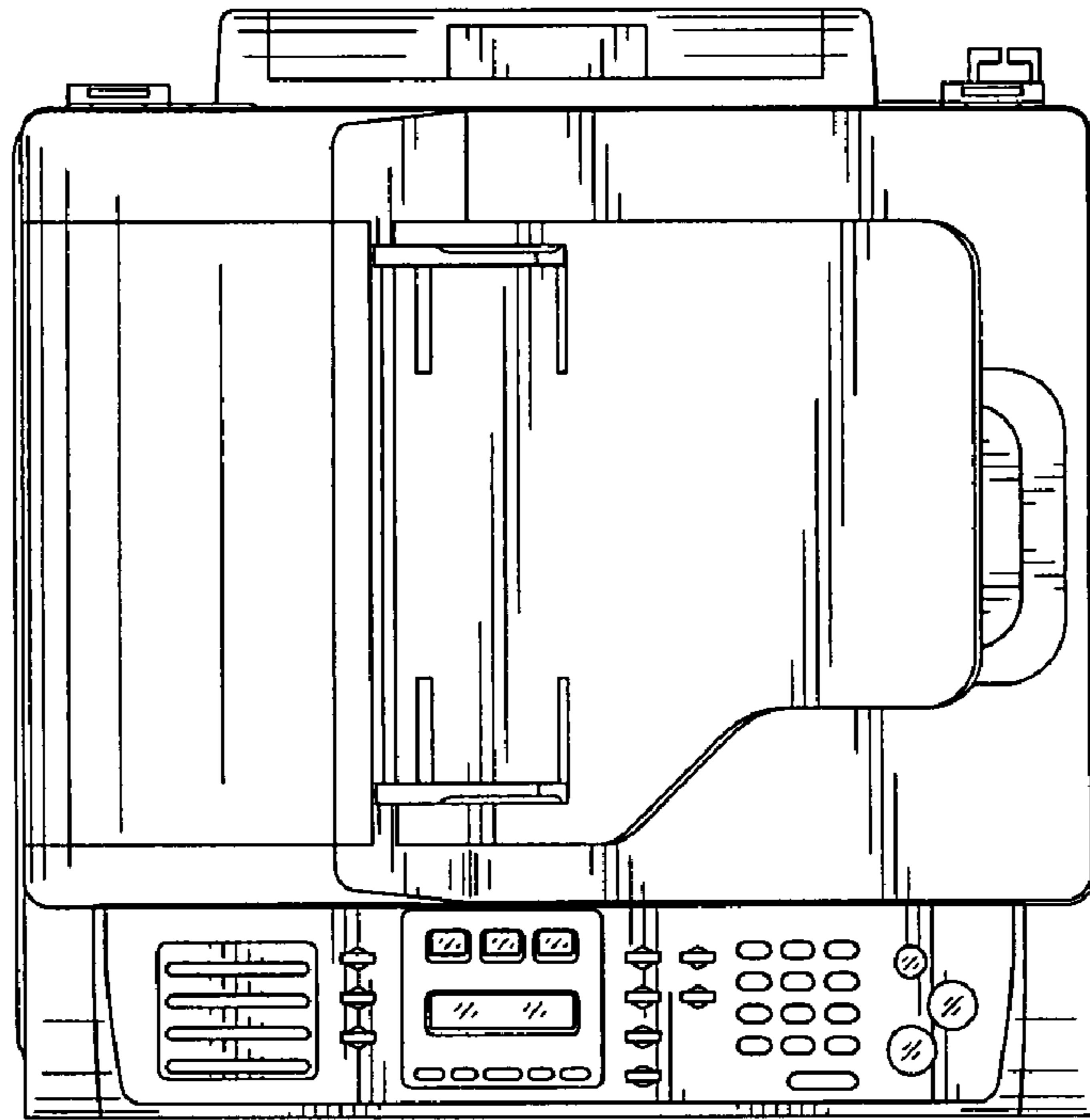


FIG. 6

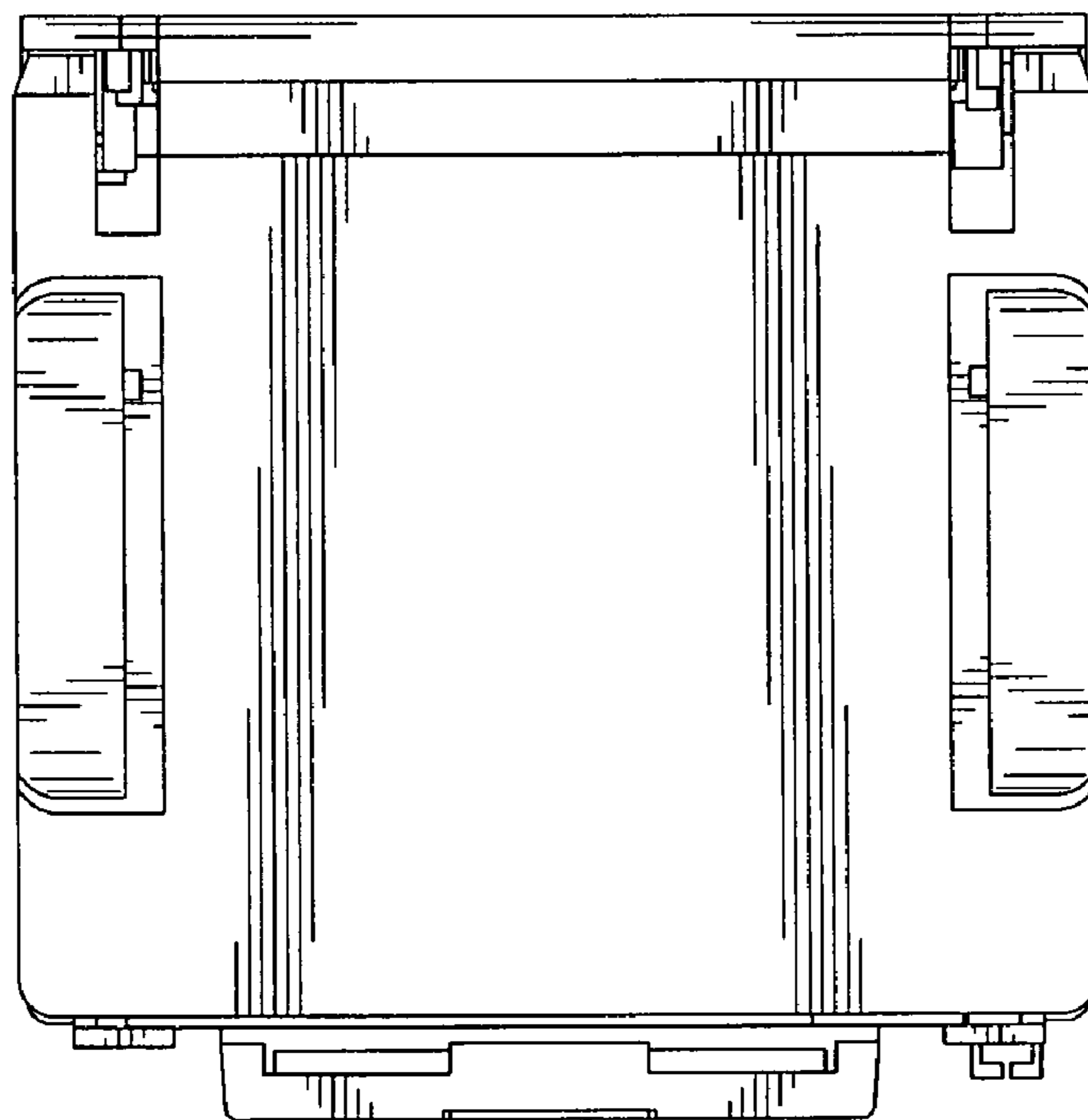


FIG. 7