



US00D581975S

(12) **United States Design Patent**
Park et al.

(10) **Patent No.:** **US D581,975 S**
(45) **Date of Patent:** **** Dec. 2, 2008**

(54) **TONER CARTRIDGE**

D551,286 S 9/2007 Han

(75) Inventors: **Gyeong-Sun Park**, Seoul (KR); **Yun-Gi Hong**, Kyunggi-do (KR); **Bong-Uk Lim**, Kyunggi-do (KR)

(73) Assignee: **Samsung Electronics Co., Ltd.**, Kyunggi-do (KR)

(**) Term: **14 Years**

(21) Appl. No.: **29/292,095**

(22) Filed: **Sep. 27, 2007**

(51) **LOC (8) Cl.** **16-03**

(52) **U.S. Cl.** **D18/43**

(58) **Field of Classification Search** D14/471;
D18/12, 36, 40, 43, 44, 56; 222/DIG. 1;
347/197, 222; 399/24-28, 107-112, 119,
399/121, 122, 222-224

See application file for complete search history.

(56) **References Cited**

U.S. PATENT DOCUMENTS

- D319,842 S * 9/1991 Tanda D18/43
- D324,875 S * 3/1992 Phillips D18/40
- D359,068 S * 6/1995 Nishimura et al. D18/43
- D361,341 S * 8/1995 Komaki et al. D18/43
- D362,677 S * 9/1995 Ishibashi et al. D18/43
- D365,846 S * 1/1996 Nishimura D18/43
- D378,297 S * 3/1997 Ikariya et al. D16/250
- D378,830 S 4/1997 Kim
- D395,668 S * 6/1998 Yasuda D18/43
- D447,513 S * 9/2001 Miyazawa et al. D18/56
- D458,959 S * 6/2002 Tanda D18/43
- D459,387 S * 6/2002 Tanda D18/43
- D464,671 S * 10/2002 Tanda D18/43
- D539,335 S 3/2007 Jeon et al.
- D544,528 S 6/2007 Kim
- D546,382 S 7/2007 Noh et al.
- D547,368 S 7/2007 Han
- D548,276 S * 8/2007 Koizumi et al. D18/43

OTHER PUBLICATIONS

U.S. Appl. No. 29/261,034, Applicant: Jai-Il Choi, filed Jun. 6, 2006 entitled Development Device for Laser Printer.

U.S. Appl. No. 29/270,054, Applicant: Se-Il Kwon, filed Dec. 13, 2006 entitled Cartridge for Laser Compound Device.

U.S. Appl. No. 29/270,051, Applicant: Jong-Hyun Park, filed Dec. 13, 2006 entitled Toner Cartridge.

U.S. Appl. No. 29/291,994, Applicant: Min-Su Han, filed Sep. 25, 2007 entitled Development Device for Laser Printer.

U.S. Appl. No. 29/292,077, Applicant: Gyeong-Sun Park, et al., filed Sep. 27, 2007 entitled Development Device for Laser Printer.

U.S. Appl. No. 29/292,075, Applicant: Gyeong-Sun Park, et al., filed Sep. 27, 2007 entitled Toner Cartridge.

U.S. Appl. No. 29/292,073, Applicant: Gyeong-Sun Park, et al., filed Sep. 27, 2007 entitled Toner Cartridge.

* cited by examiner

Primary Examiner—Caron D. Veynar

Assistant Examiner—Garth Rademaker

(74) *Attorney, Agent, or Firm*—Flynn, Thiel, Boutell & Tanis, P.C.

(57) **CLAIM**

The ornamental design for a toner cartridge, as shown and described.

DESCRIPTION

FIG. 1 is a top front perspective view of a toner cartridge showing our new design;

FIG. 2 is a front elevational view thereof;

FIG. 3 is a rear elevational view thereof;

FIG. 4 is a left side elevational view thereof;

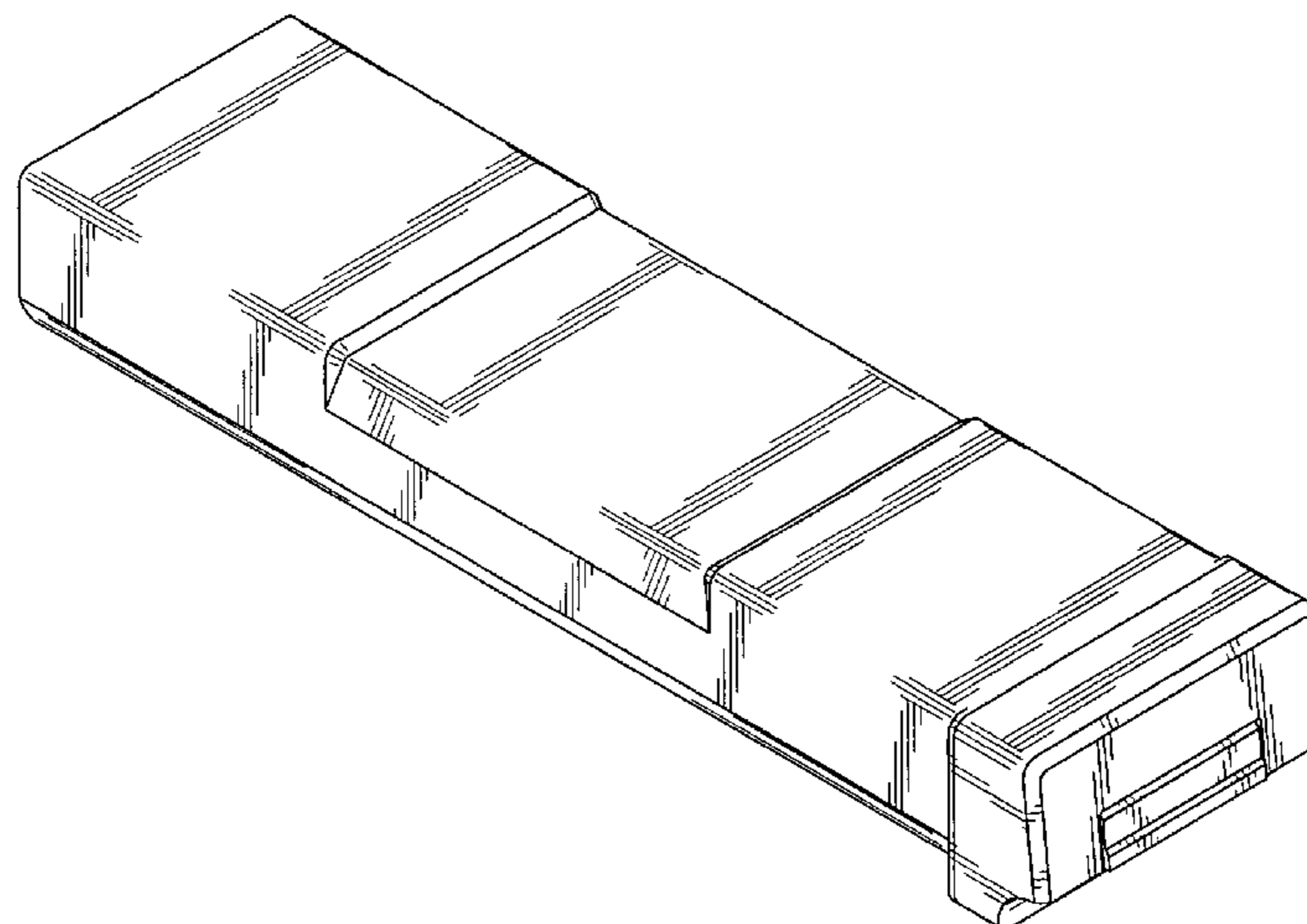
FIG. 5 is a right side elevational view thereof;

FIG. 6 is a top plan view thereof; and,

FIG. 7 is a bottom plan view thereof.

The broken lines depict environmental subject matter only and form no part of the claimed design.

1 Claim, 4 Drawing Sheets



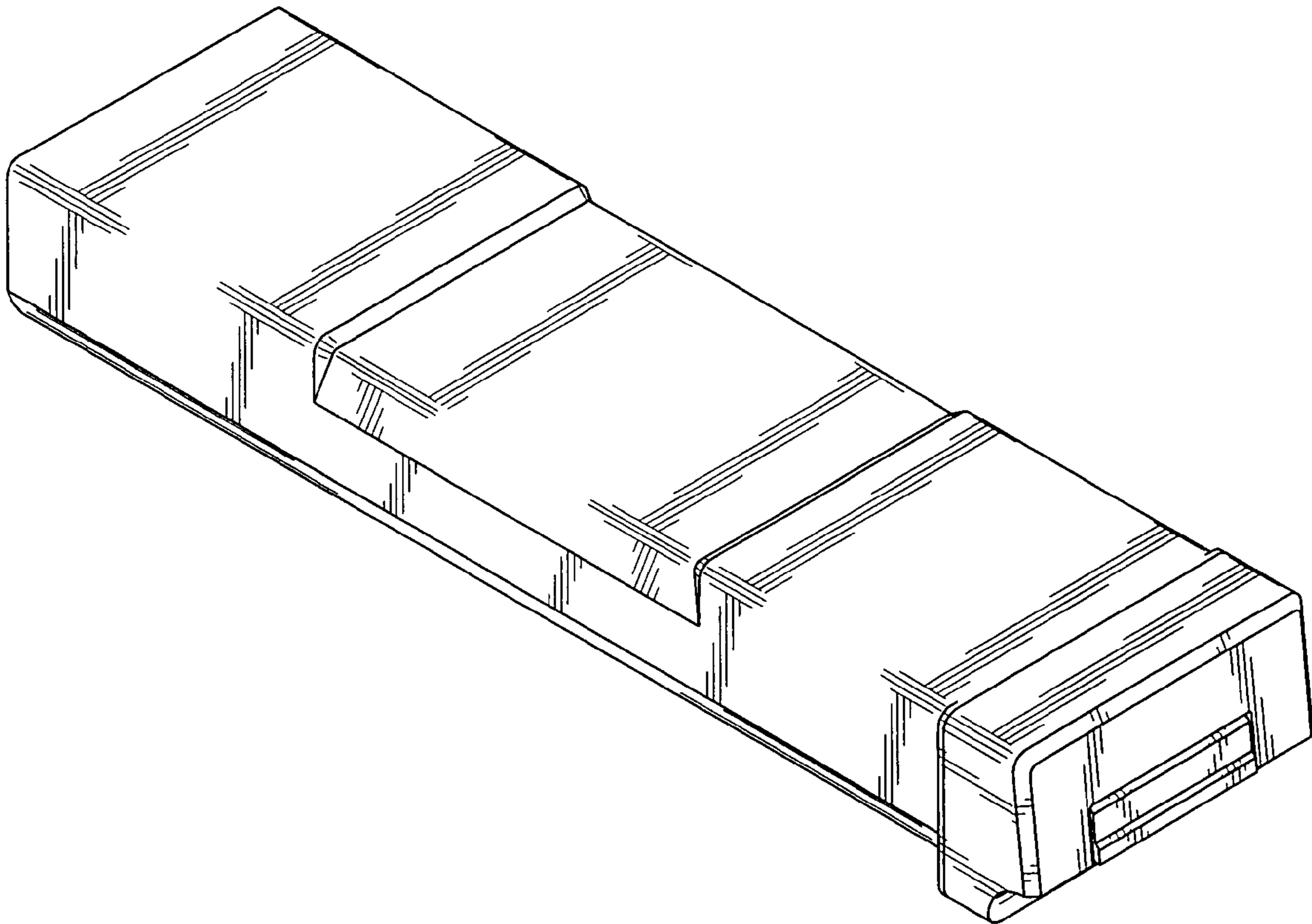


FIG. 1

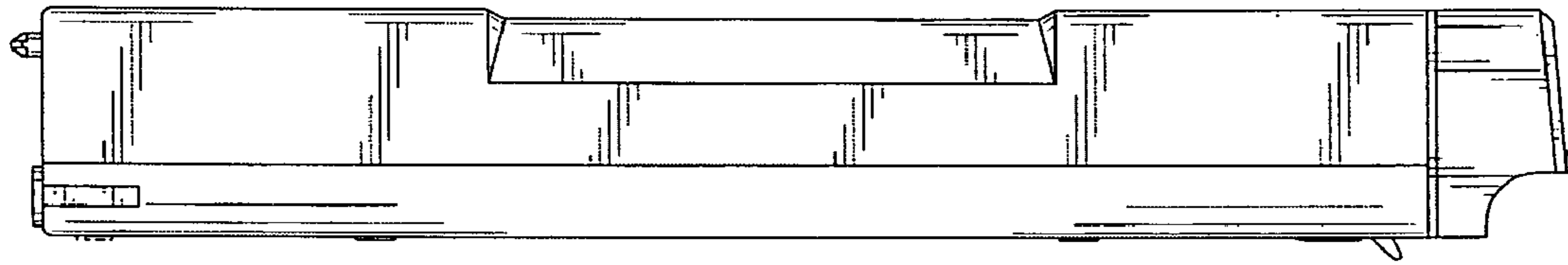


FIG. 2

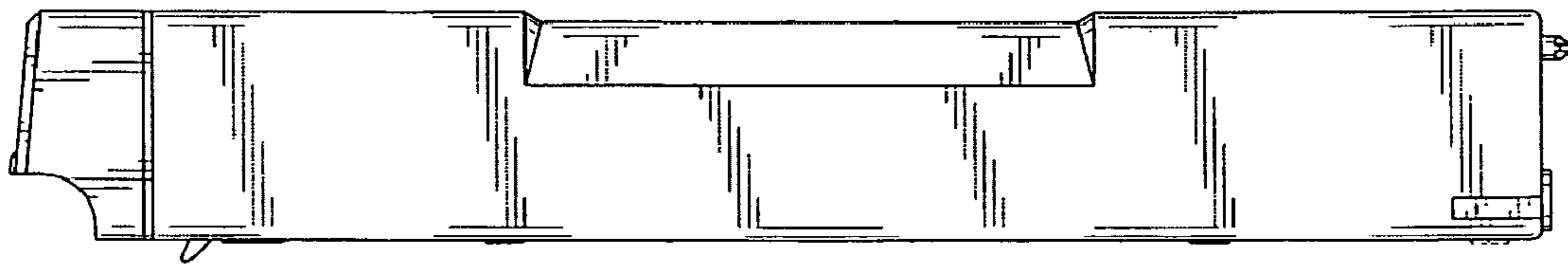


FIG. 3

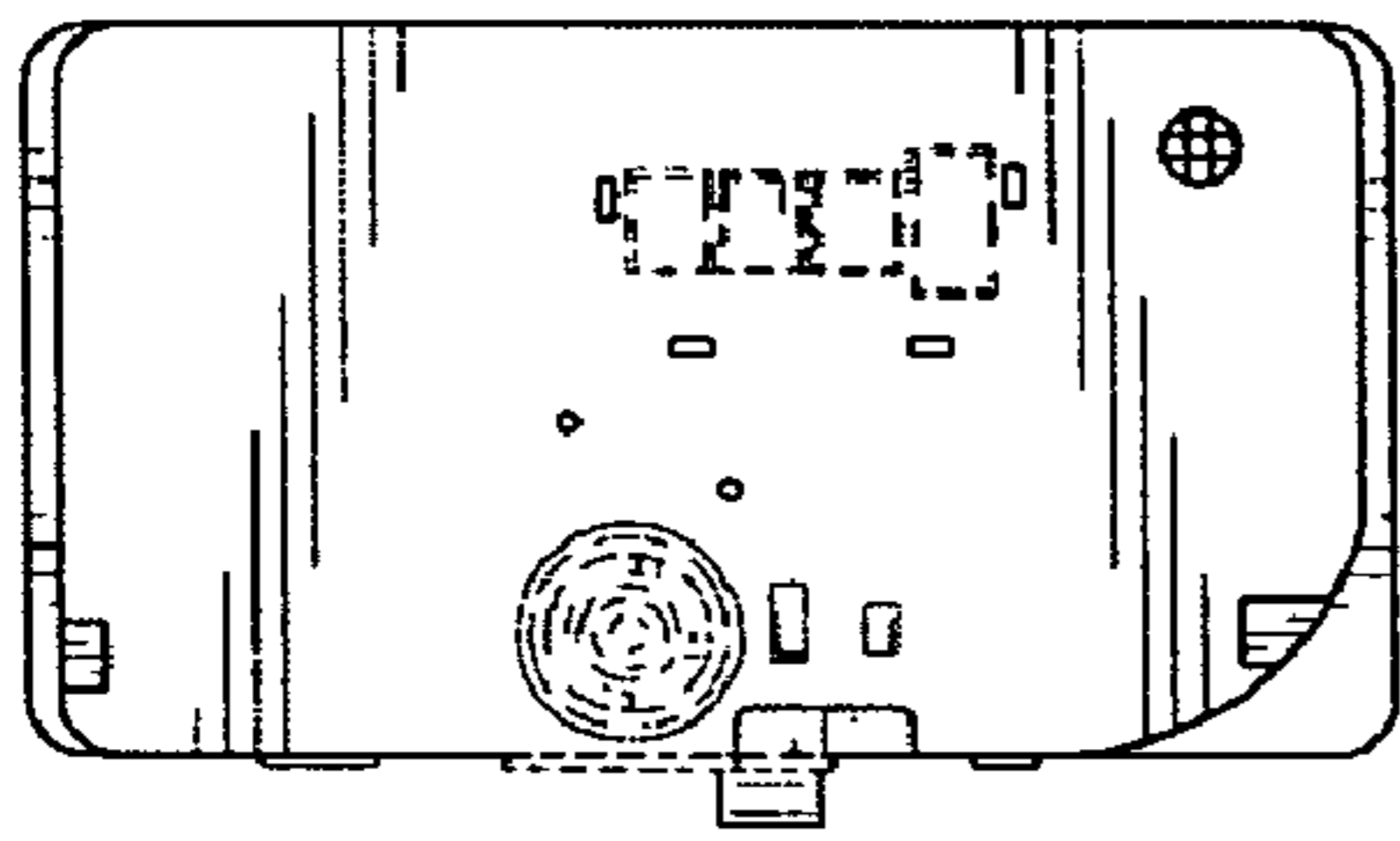


FIG. 4

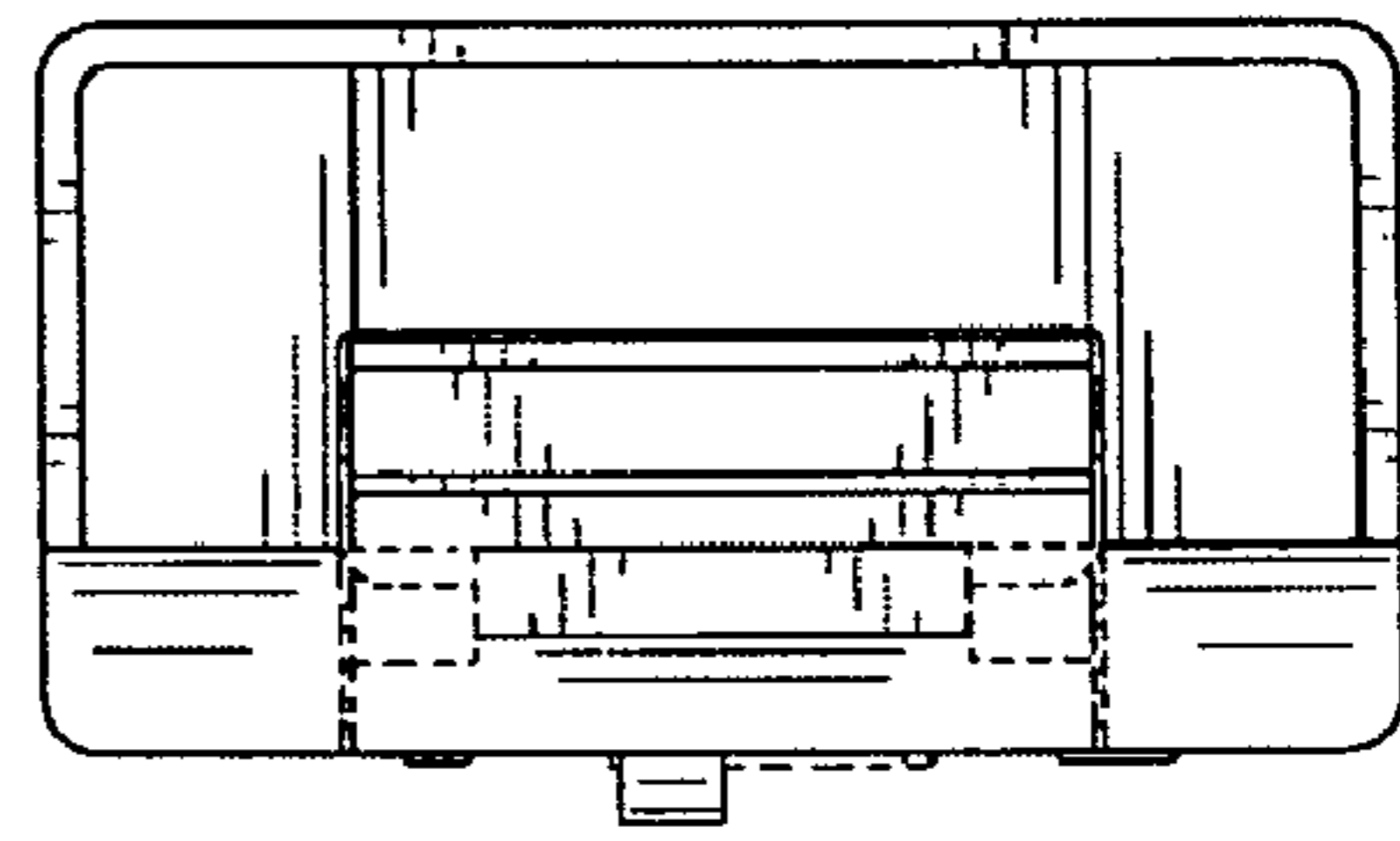


FIG. 5

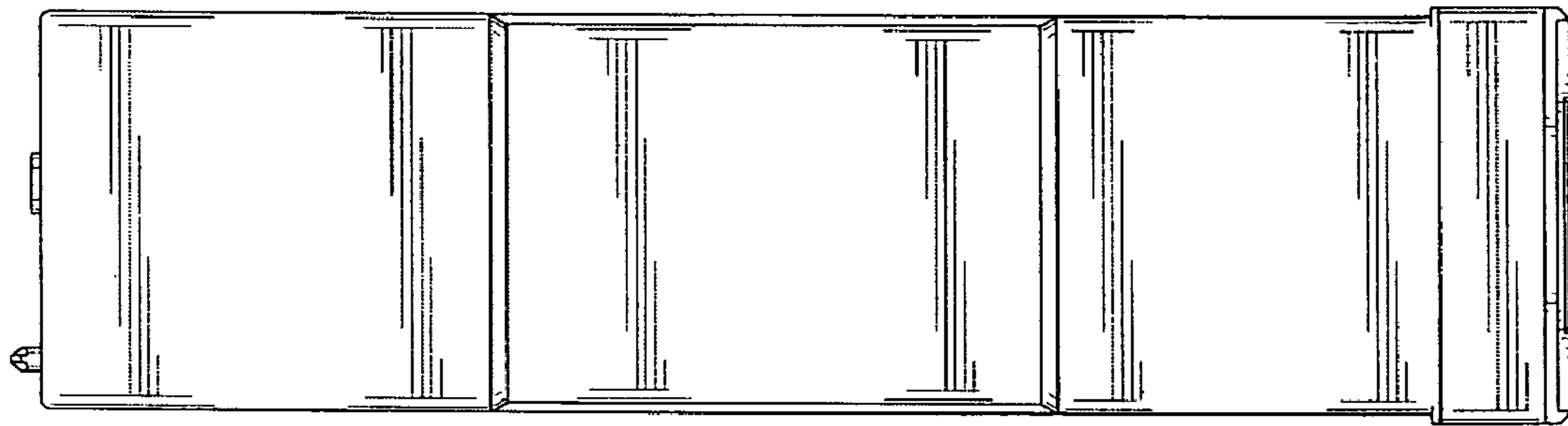


FIG. 6

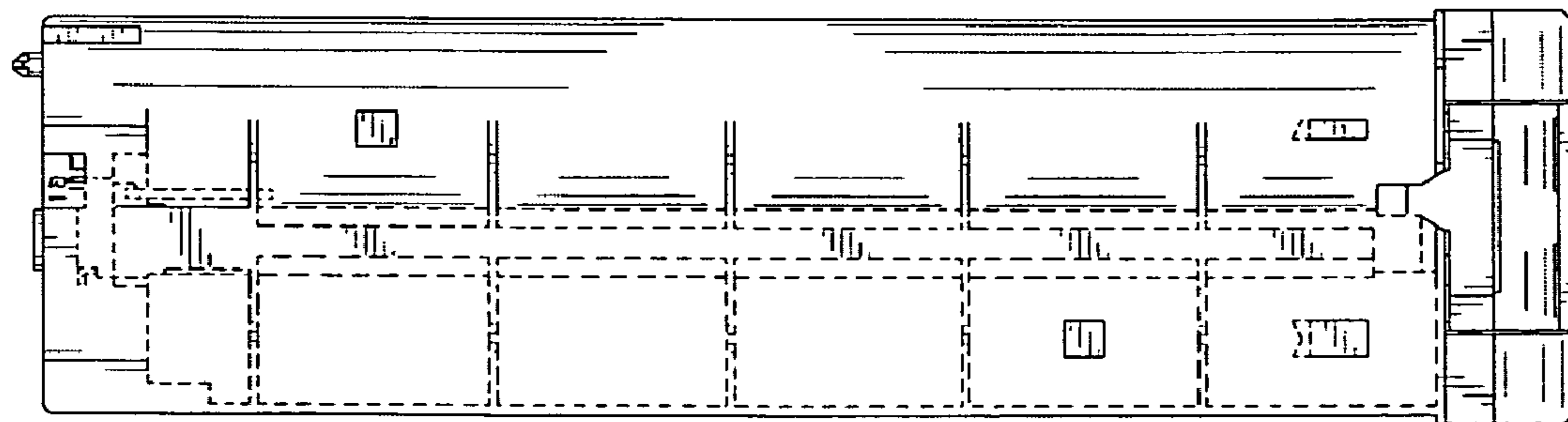


FIG. 7