

US00D581974S

(12) **United States Design Patent**  
**Mekada et al.**

(10) **Patent No.:** **US D581,974 S**  
(45) **Date of Patent:** **\*\* Dec. 2, 2008**

(54) **DEVELOPING APPARATUS FOR PRINTER**

JP D1216182 S 8/2004

(75) Inventors: **Hideki Mekada**, Shinshiro (JP); **Yuichi Yamamoto**, Toyokawa (JP)

(73) Assignee: **Konica Minolta Business Technologies, Inc.**, Chiyoda-Ku, Tokyo (JP)

(\*\*) Term: **14 Years**

(21) Appl. No.: **29/265,451**

(22) Filed: **Sep. 1, 2006**

(30) **Foreign Application Priority Data**

Mar. 3, 2006 (JP) ..... 2006-005406

(51) **LOC (8) Cl.** ..... **16-03**

(52) **U.S. Cl.** ..... **D18/43**

(58) **Field of Classification Search** ..... D14/471;  
D18/12, 36, 40, 43, 44, 56; 222/DIG. 1;  
347/197, 222; 399/24-28, 107-112, 119,  
399/121, 122, 222-224

See application file for complete search history.

(56) **References Cited**

**U.S. PATENT DOCUMENTS**

D448,042 S \* 9/2001 Hale et al. .... D18/43  
D524,850 S \* 7/2006 Hashimoto et al. .... D18/43  
D529,076 S \* 9/2006 Kobayashi et al. .... D18/43  
D534,576 S \* 1/2007 Hashimoto et al. .... D18/43  
D552,163 S \* 10/2007 Kouroku et al. .... D18/43  
D553,183 S \* 10/2007 Hashimoto et al. .... D18/43

**FOREIGN PATENT DOCUMENTS**

JP D1216043 S 8/2004

**OTHER PUBLICATIONS**

Product information for magicolor 5440 DL, Konica Minolta Holdings Inc., <http://konicaminoltajp/products/business/printers/laser/color/magicolor5440dl/...>, pp. 1-5, Aug. 23, 2006.

Optional product information for magicolor 5440 DL, Konica Minolta Holdings Inc., <http://konicaminoltajp/products/business/printers/laser/color/magicolor5440dl/...>, pp. 1-4, Aug. 23, 2006.

Optional product information for magicolor 7300, Konica Minolta Holdings Inc., <http://konicaminoltajp/products/business/printers/laser/archive/magi7300/730...>, pp. 1-3, Aug. 23, 2006.

\* cited by examiner

*Primary Examiner*—Caron D. Veynar

*Assistant Examiner*—Garth Rademaker

(74) *Attorney, Agent, or Firm*—Buchanan Ingersoll & Rooney PC

(57) **CLAIM**

The ornamental design for a developing apparatus for printer, as shown and described.

**DESCRIPTION**

FIG. 1 is a top, front and right side perspective view of a developing apparatus for a printer showing our new design;

FIG. 2 is a front elevational view thereof;

FIG. 3 is a rear elevational view thereof;

FIG. 4 is a top plan view thereof;

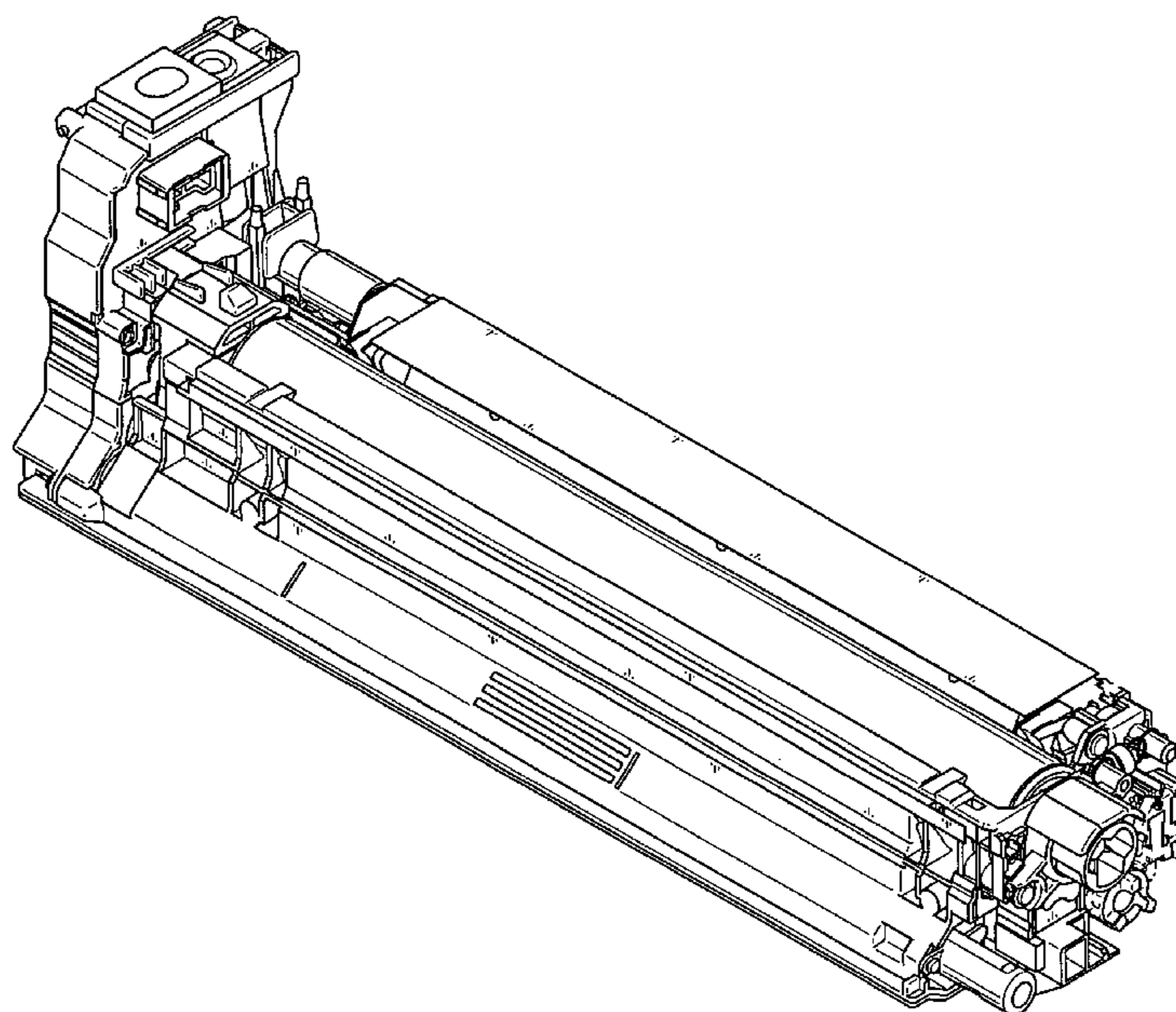
FIG. 5 is a bottom plan view thereof;

FIG. 6 is a right side view thereof; and,

FIG. 7 is a left side view thereof.

The broken lines depict environmental subject matter only and form no part of the claimed design.

**1 Claim, 6 Drawing Sheets**



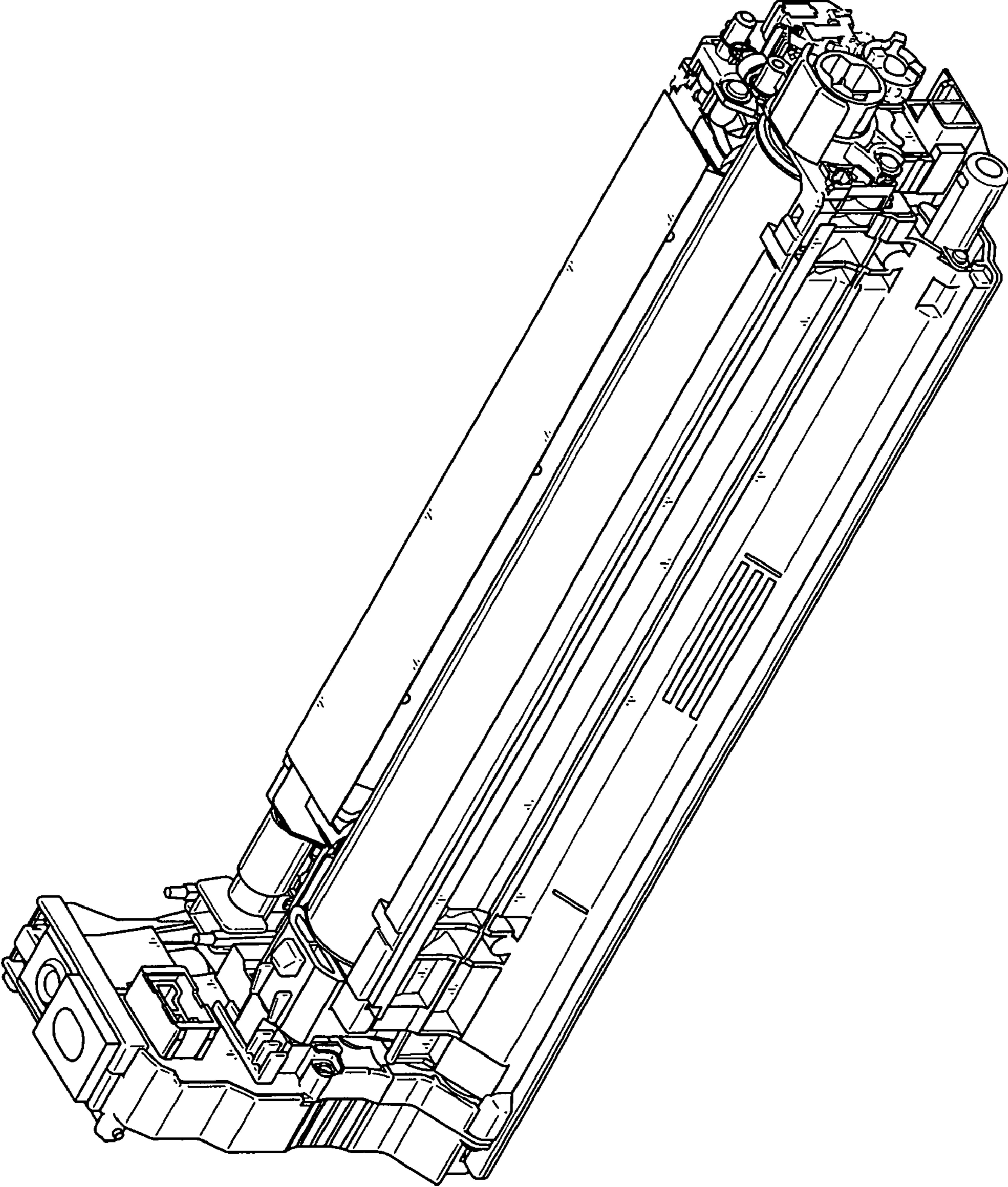
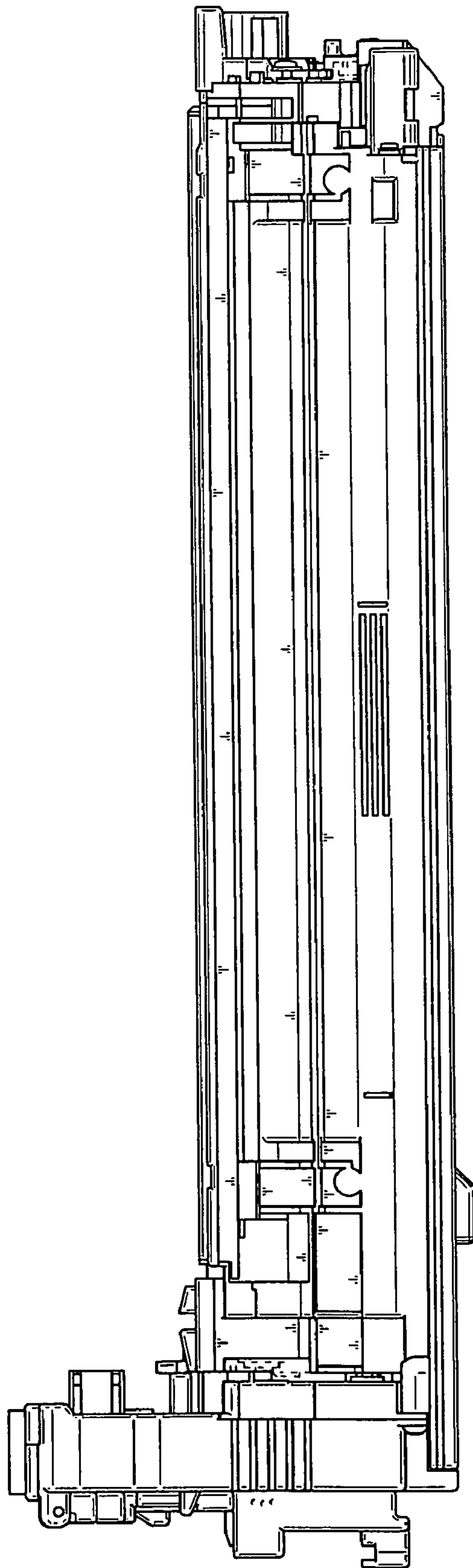


Fig. 1

Fig. 2



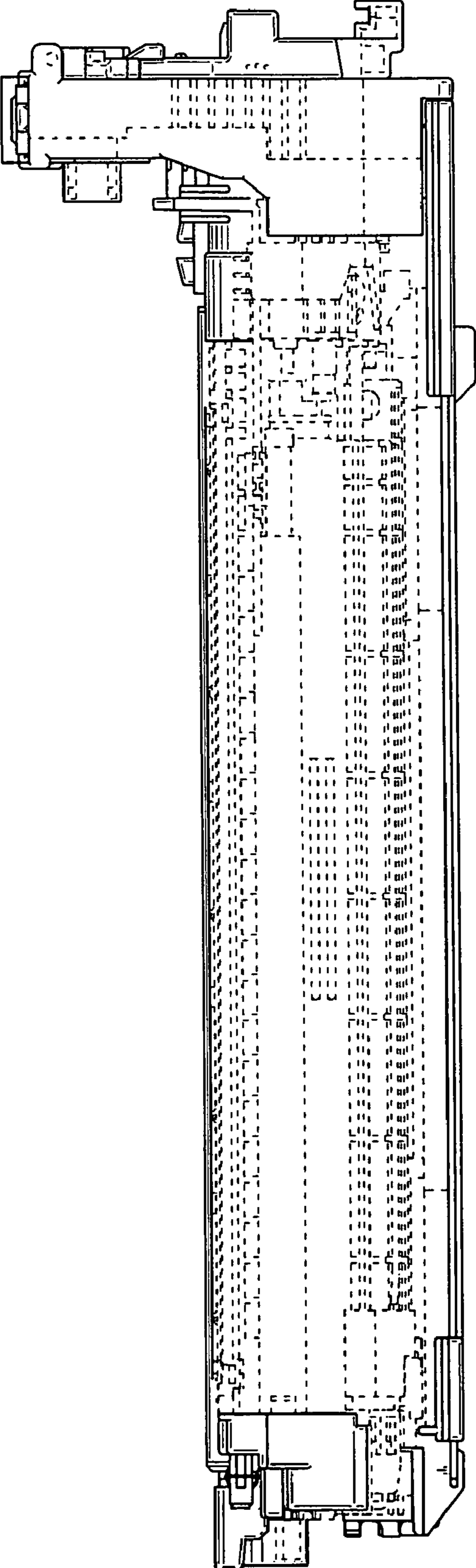


Fig. 3

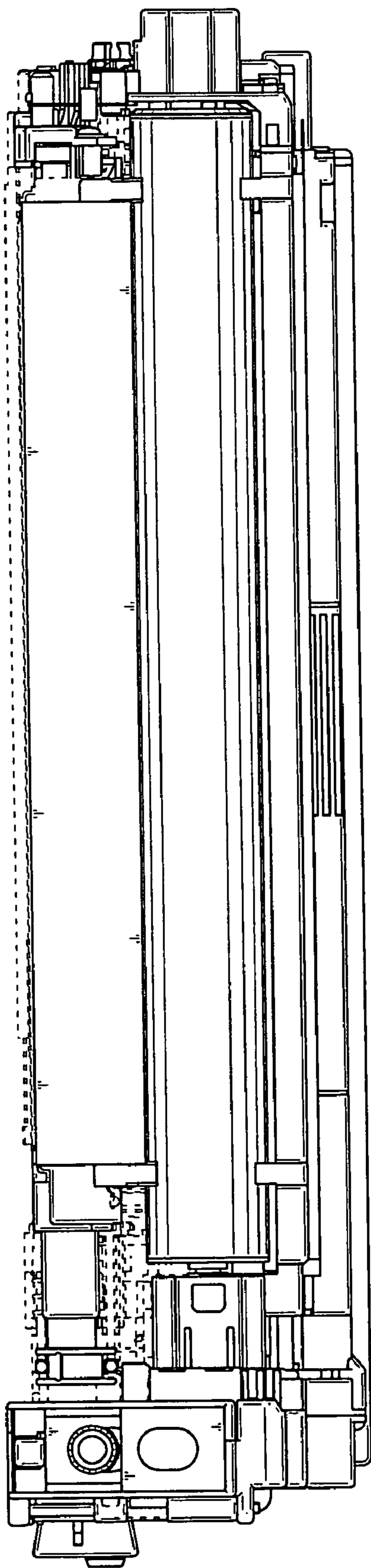


Fig. 4

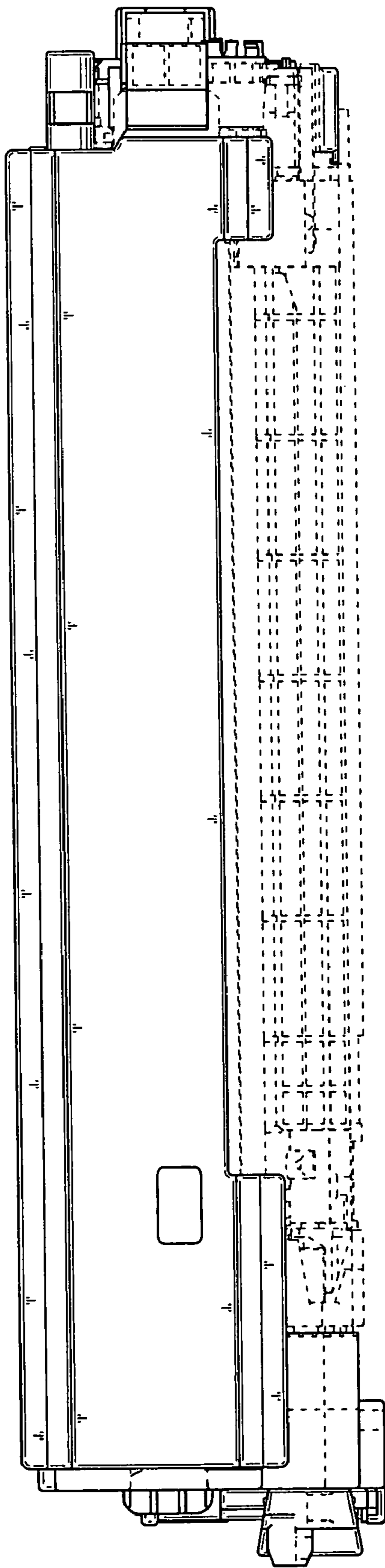


Fig. 5

Fig. 7

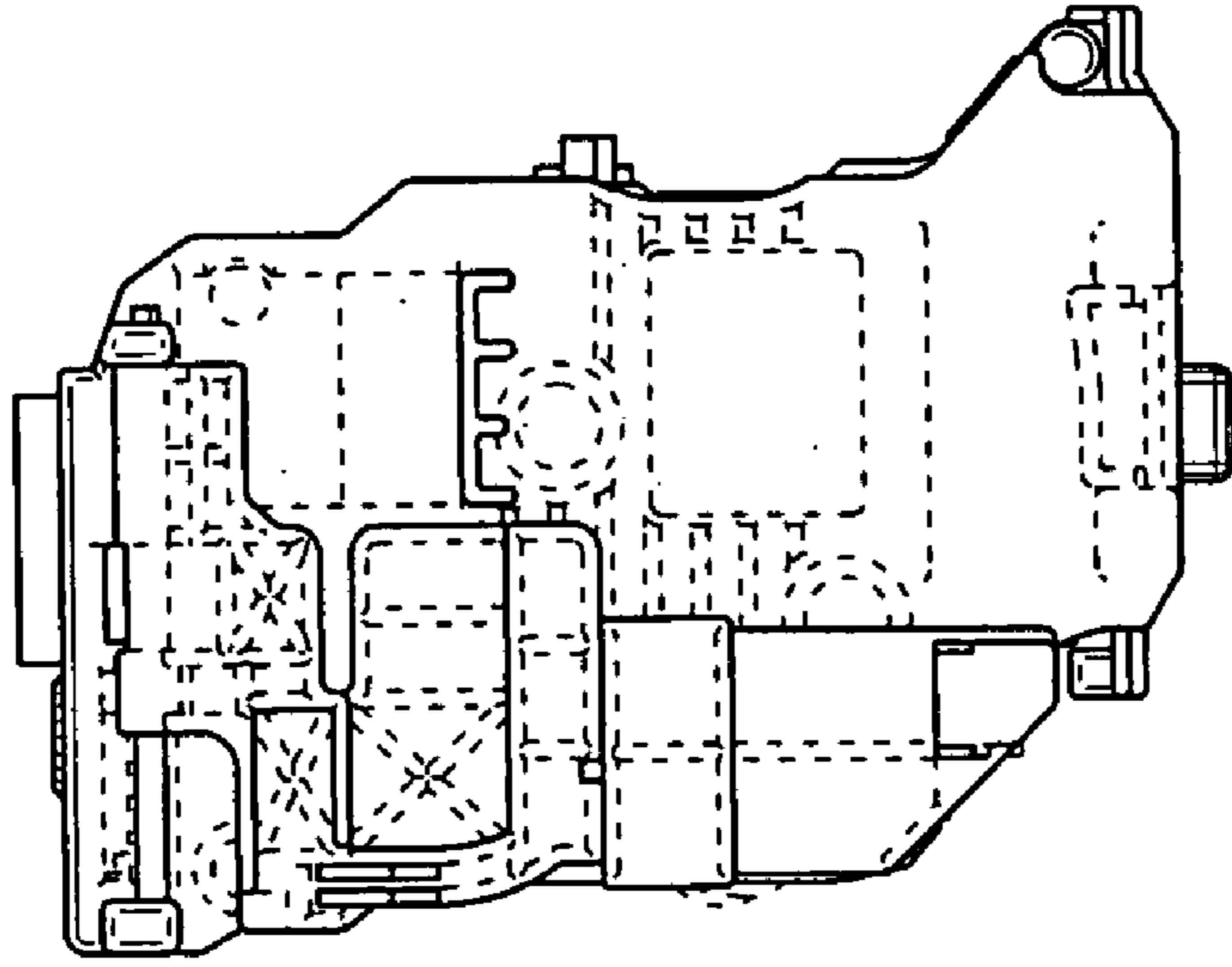


Fig. 6

